



US00D907273S

(12) **United States Design Patent**
Wang et al.

(10) **Patent No.:** **US D907,273 S**
(45) **Date of Patent:** **** Jan. 5, 2021**

(54) **LAMP**

(71) Applicant: **OPPLE LIGHTING CO., LTD.**,
Shanghai (CN)

(72) Inventors: **Cong Wang**, Shanghai (CN); **Guoping Zhang**, Shanghai (CN); **Jian Zhu**, Shanghai (CN); **Kai Wang**, Shanghai (CN)

(73) Assignee: **Oppl Lighting Co., Ltd.**, Shanghai (CN)

(**) Term: **15 Years**

(21) Appl. No.: **29/614,528**

(22) Filed: **Aug. 21, 2017**

(30) **Foreign Application Priority Data**

Jun. 6, 2017 (CN) 2017 3 0225659

(51) **LOC (13) Cl.** **26-05**

(52) **U.S. Cl.**
USPC **D26/74**

(58) **Field of Classification Search**
USPC D26/24, 63, 67, 72, 74, 118
CPC .. F21S 8/026; F21S 8/02; F21V 15/01; F21V 21/047; F21Y 2115/10; Y10S 362/80
See application file for complete search history.

(56) **References Cited**

U.S. PATENT DOCUMENTS

D544,979 S *	6/2007	Hartmann, Jr.	D26/74
D694,928 S *	12/2013	Chen	D26/63
D723,728 S *	3/2015	Jeswani	D26/74
D726,949 S *	4/2015	Redfern	D26/74
D767,809 S *	9/2016	Gotz-Schafer	D26/74
D772,466 S *	11/2016	Zhang	D26/74
D779,100 S *	2/2017	Redfern	D26/74
D779,700 S *	2/2017	Lee	D26/74
D786,472 S *	5/2017	Redfern	D26/74

D797,975 S *	9/2017	Lentine	D26/63
D804,083 S *	11/2017	Lentine	D26/118
D806,299 S *	12/2017	Gebhard	D26/63
D808,058 S *	1/2018	Johnson	D26/74

(Continued)

FOREIGN PATENT DOCUMENTS

CN 304555011 S 3/2018

OTHER PUBLICATIONS

“OPPLE Lighting—LEDDownlightRc-P-HG R200-33W-4000.” Found online Mar. 25, 2019 at eu.opple.com. Page archived Dec. 10, 2017. Retrieved from URL: <https://tinyurl.com/y3ana8rx> (Year: 2017).*

(Continued)

Primary Examiner — Garth Rademaker

Assistant Examiner — Katelin G Kloberg

(74) *Attorney, Agent, or Firm* — Arch & Lake LLP

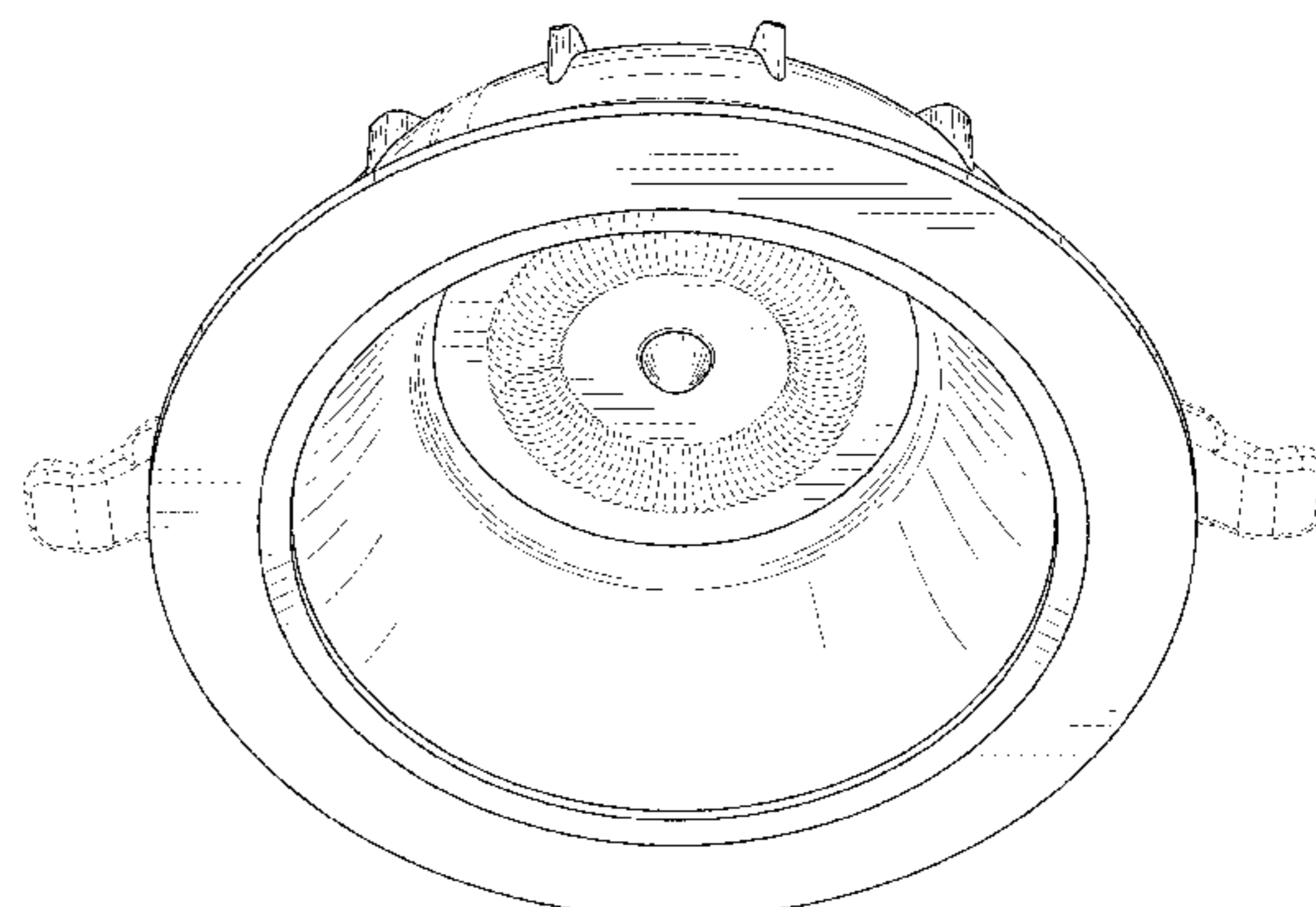
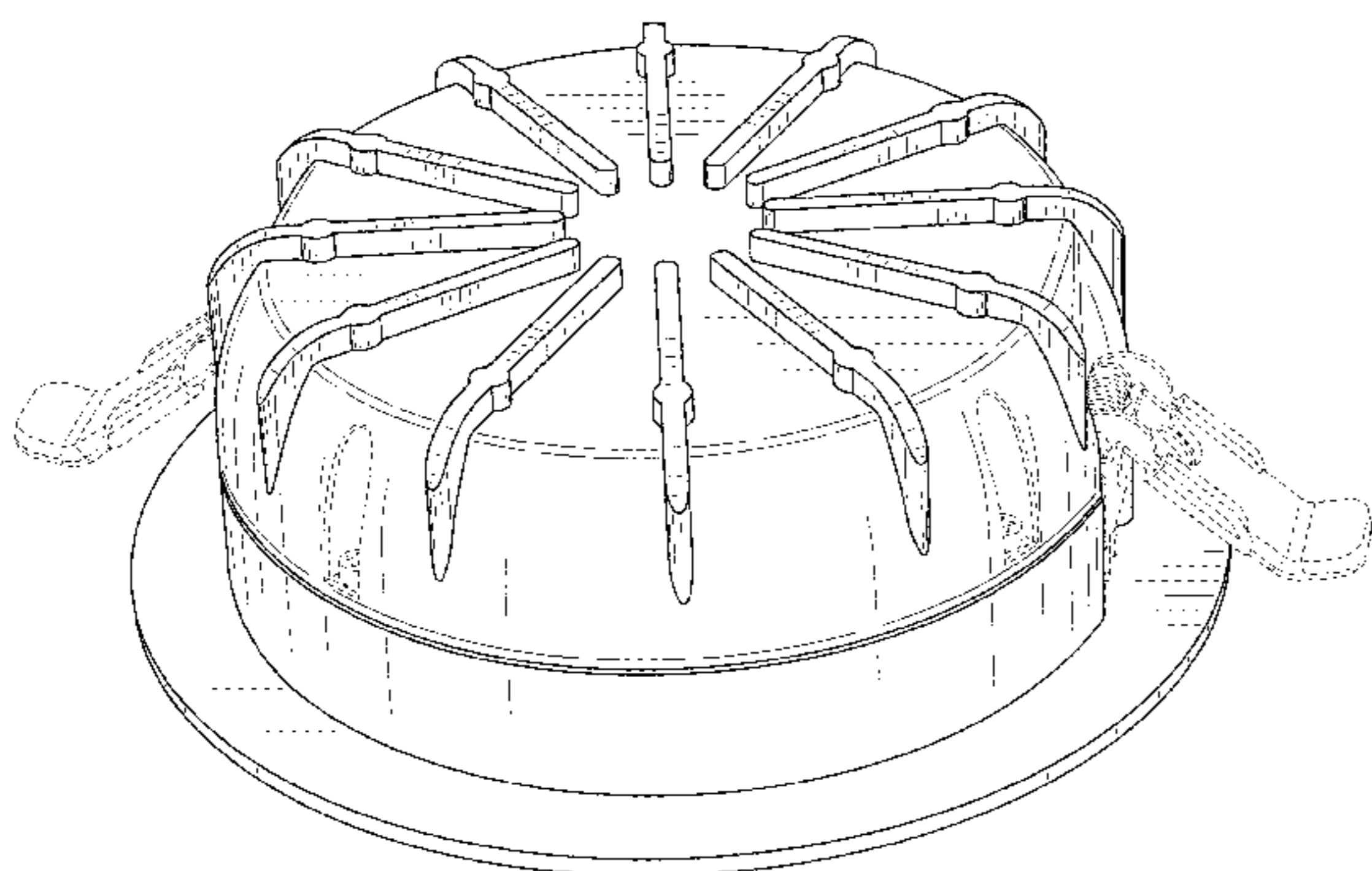
(57) **CLAIM**

The ornamental design for a lamp, as shown and described.

DESCRIPTION

FIG. 1 is a top plan view of an ornamental design for a lamp; FIG. 2 is a bottom plan view of the lamp of FIG. 1; FIG. 3 is a front elevational view of the lamp of FIG. 1; FIG. 4 is a rear elevational view of the lamp of FIG. 1; FIG. 5 is a left side elevational view of the lamp of FIG. 1; and FIG. 6 is a right side elevational view of the lamp of FIG. 1. FIG. 7 is a bottom perspective view of the lamp of FIG. 1; and, FIG. 8 is a top perspective view of the lamp of FIG. 1. The dash-dash-dash broken lines are included for the purpose of illustrating portions that form no part of the claimed design.

1 Claim, 6 Drawing Sheets



(56)

References Cited

U.S. PATENT DOCUMENTS

D820,494 S * 6/2018 Cohen D26/74
D827,903 S * 9/2018 Wu D26/74
D828,944 S * 9/2018 Xie D26/74
10,066,797 B1 * 9/2018 Tan F21S 8/02
10,101,015 B2 * 10/2018 Benghozi F21S 8/026
D835,828 S * 12/2018 McGrayne D26/74
D836,234 S * 12/2018 Yang D26/63
2012/0182744 A1 * 7/2012 Santiago F21S 8/026
362/365
2014/0003061 A1 * 1/2014 Chen F21S 8/026
362/311.02
2014/0096934 A1 * 4/2014 Xiong F21S 8/026
165/86
2014/0268767 A1 * 9/2014 Hatch F21V 15/01
362/249.02
2017/0198870 A1 * 7/2017 Wu F21V 21/046

OTHER PUBLICATIONS

“OPPLE—LED Downlight Performer HG.” Foudn online Mar. 26, 2019 at opple.compano.com. Page dated Oct. 2018. Retrieved from URL: https://opple.compano.com/Data/Environments/000001/Attachment/Bijlage/FamilySheets/en-GB/Familysheet_en_DOWNHG_OPPL.pdf (Year: 2018).*

* cited by examiner

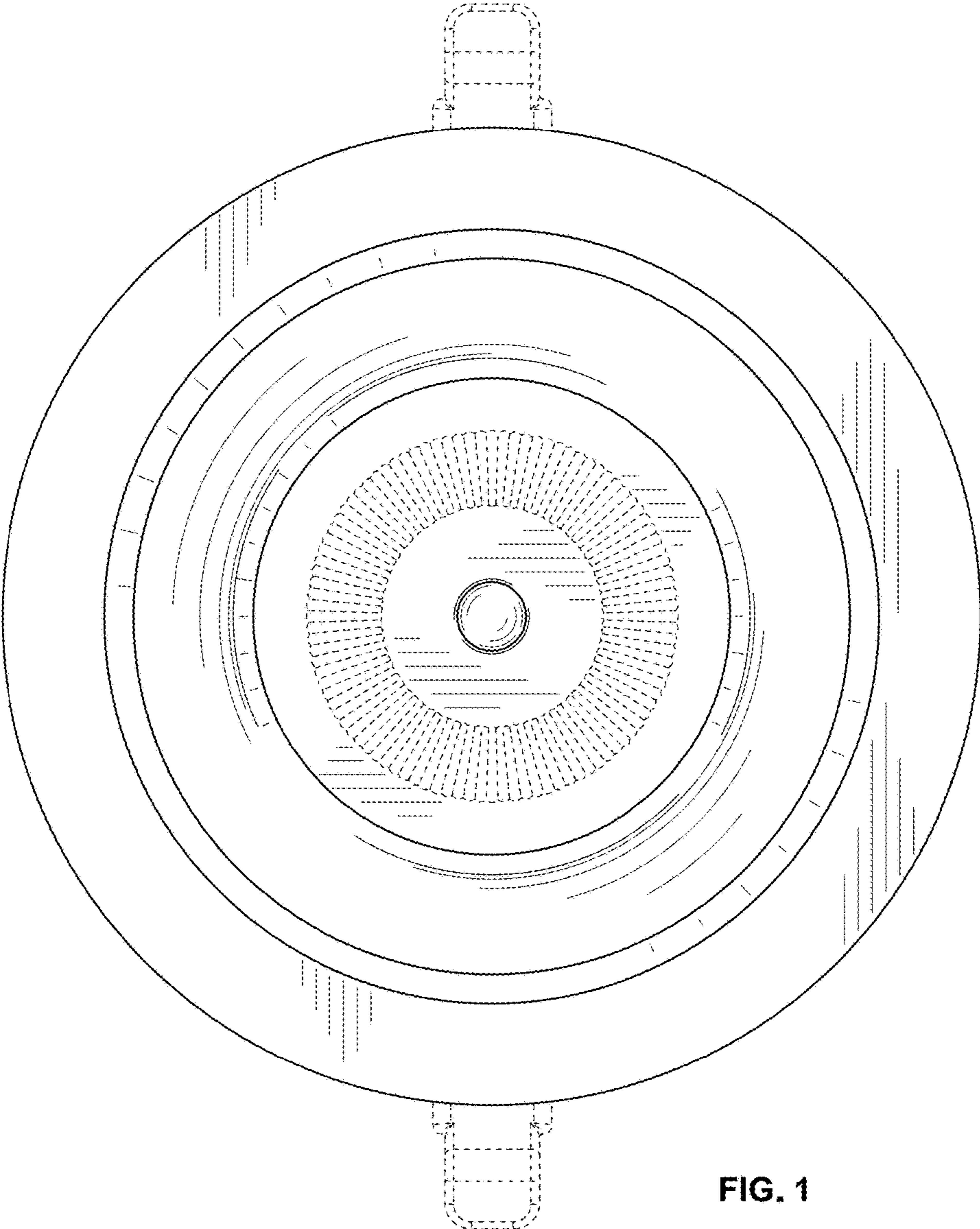


FIG. 1

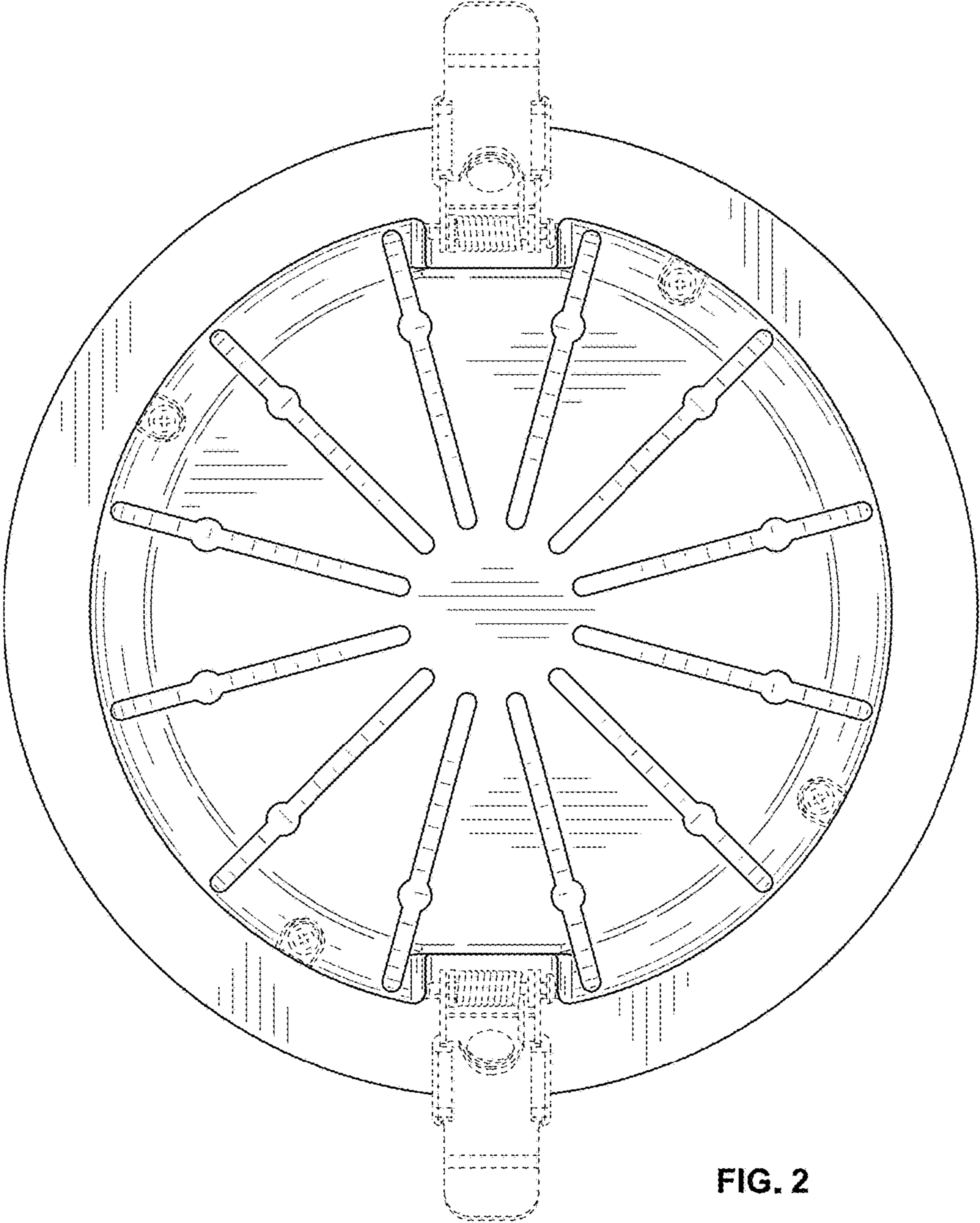


FIG. 2

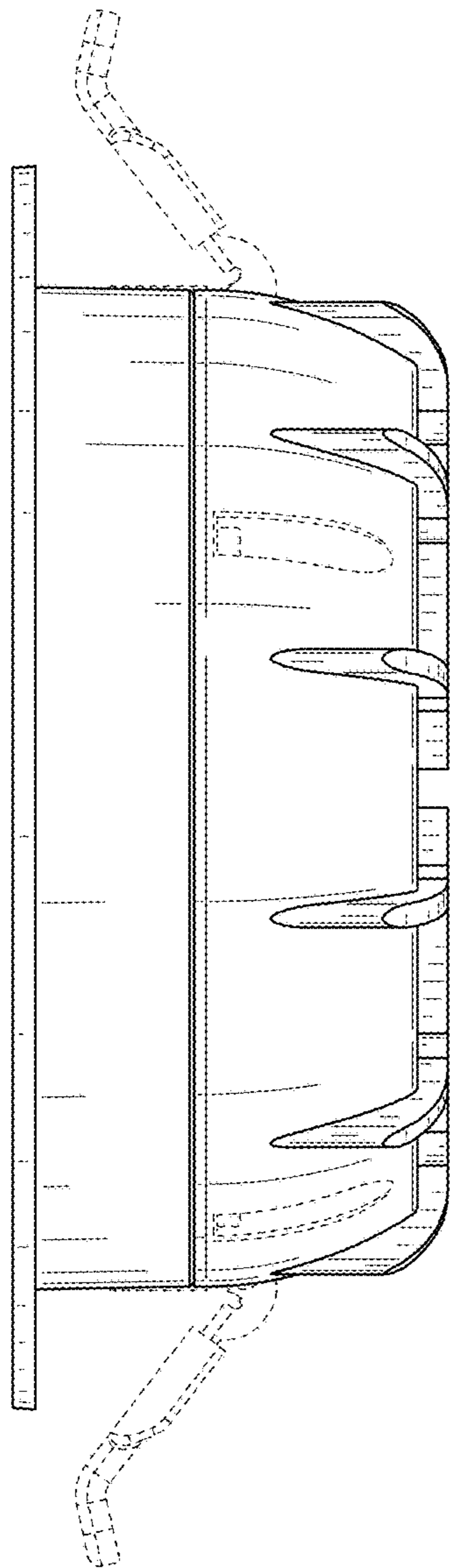


FIG. 3

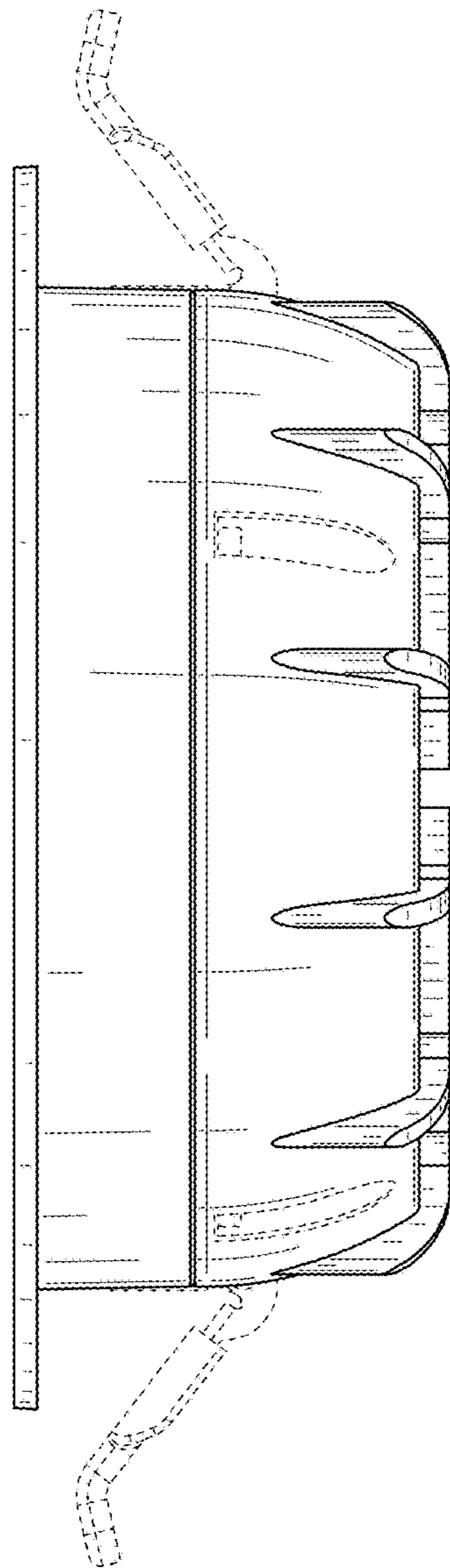


FIG. 4

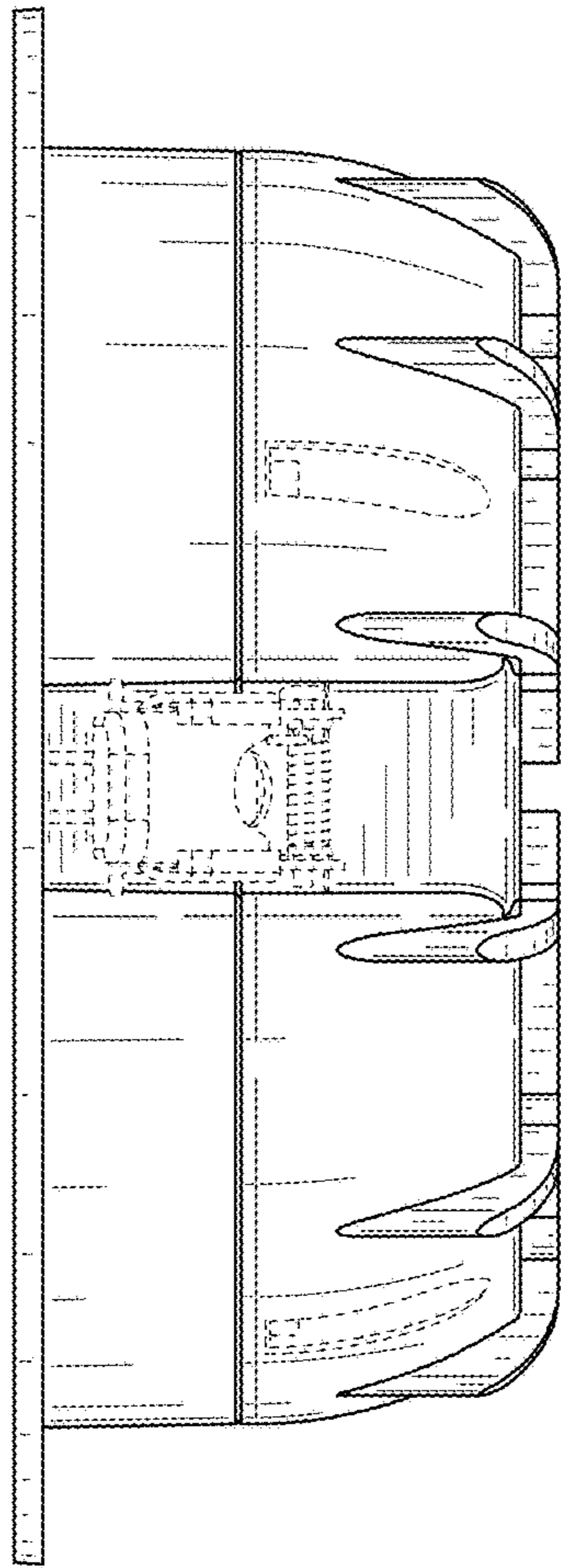


FIG. 5

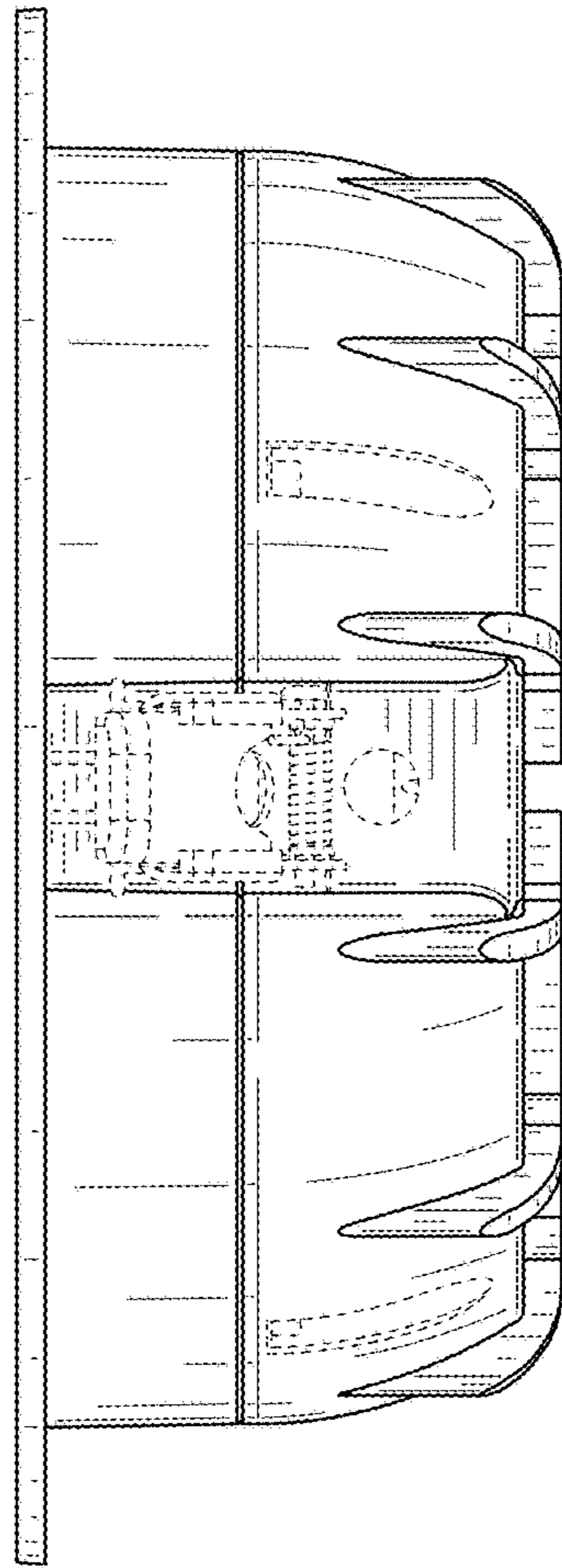


FIG. 6

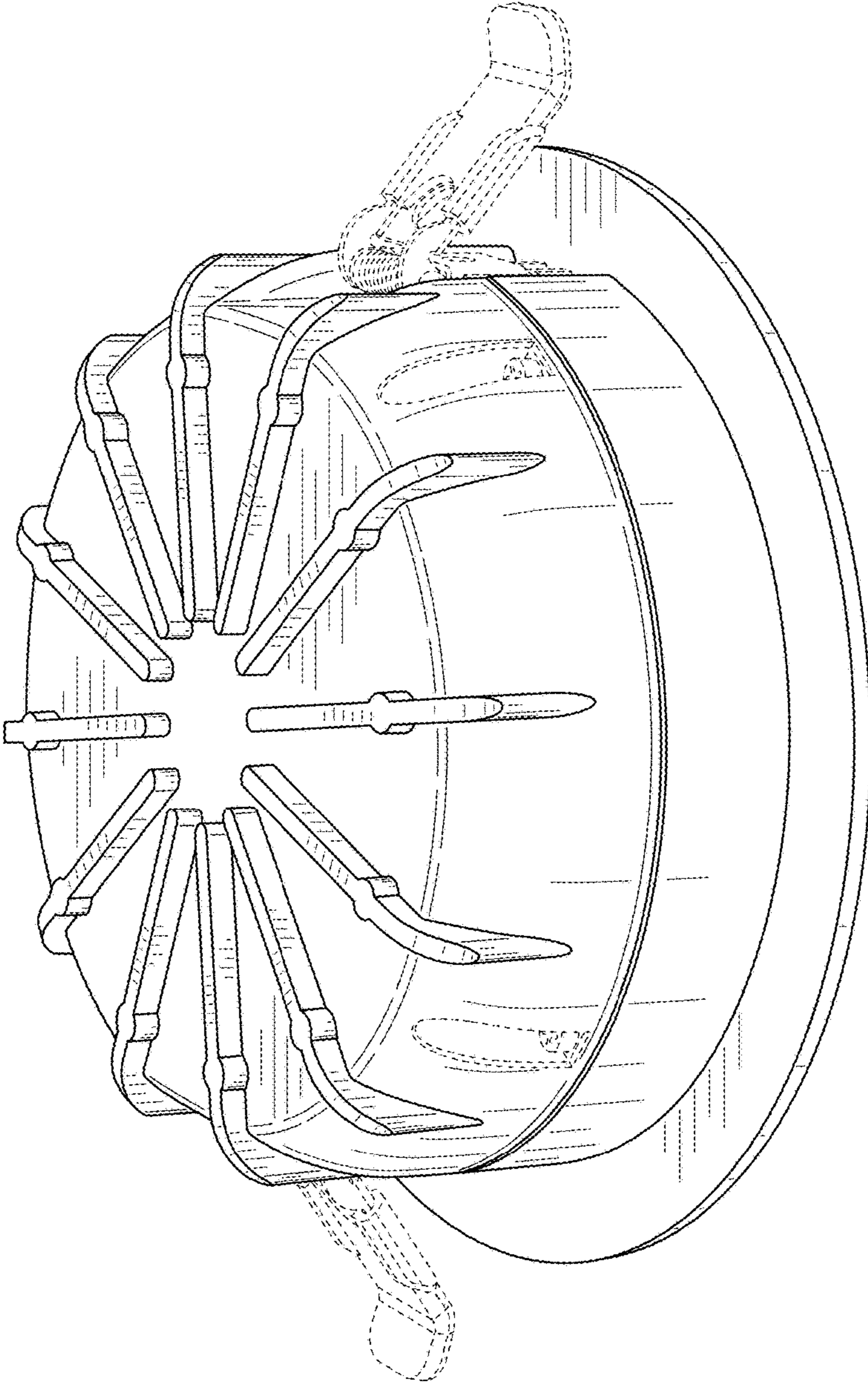


FIG. 7

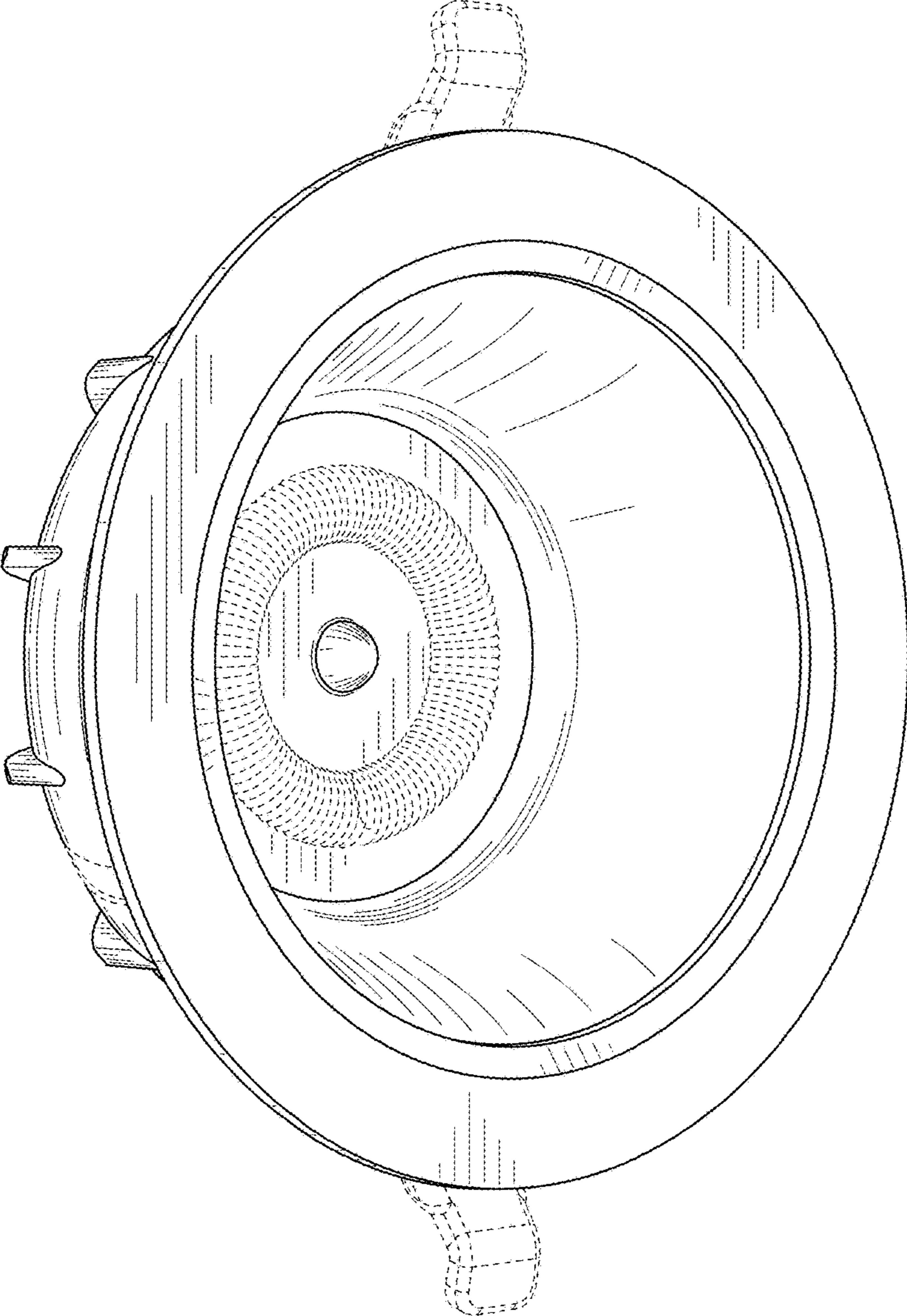


FIG. 8