



US00D907272S

(12) **United States Design Patent**  
**Takahashi et al.**

(10) **Patent No.:** **US D907,272 S**  
(45) **Date of Patent:** **\*\* Jan. 5, 2021**

(54) **FLOODLIGHT**

(71) Applicant: **MAKITA CORPORATION**, Anjo (JP)

(72) Inventors: **Koji Takahashi**, Anjo (JP); **Kosuke Komiya**, Anjo (JP); **Shigeki Ito**, Anjo (JP)

(73) Assignee: **MAKITA CORPORATION**, Anjo (JP)

(\*\*) Term: **15 Years**

(21) Appl. No.: **29/700,877**

(22) Filed: **Aug. 6, 2019**

(30) **Foreign Application Priority Data**

Feb. 8, 2019 (JP) ..... 2019-002572

(51) **LOC (13) Cl.** ..... **26-03**

(52) **U.S. Cl.**  
USPC ..... **D26/63**

(58) **Field of Classification Search**  
USPC ..... D26/61, 63, 65  
CPC ..... F21V 21/14; F21V 21/00; F21V 14/00;  
F21V 15/01; F21V 14/02; F21V 21/30;  
F21S 8/003; F21Y 2105/001  
See application file for complete search history.

(56) **References Cited**

**U.S. PATENT DOCUMENTS**

D679,845 S \* 4/2013 Huang ..... D26/63  
D736,442 S 8/2015 Kovacik et al.  
D754,383 S 4/2016 Kovacik et al.  
D796,718 S \* 9/2017 Zhou ..... D26/63  
D827,170 S \* 8/2018 Zhang ..... D26/44

D844,208 S \* 3/2019 You ..... D26/63  
D856,565 S \* 8/2019 Fang ..... D26/63  
D858,844 S \* 9/2019 Fang ..... D26/63  
2014/0313706 A1 \* 10/2014 Itoh ..... F21V 21/08  
362/184

\* cited by examiner

*Primary Examiner* — Brian N. Vinson

(74) *Attorney, Agent, or Firm* — Global IP Counselors, LLP

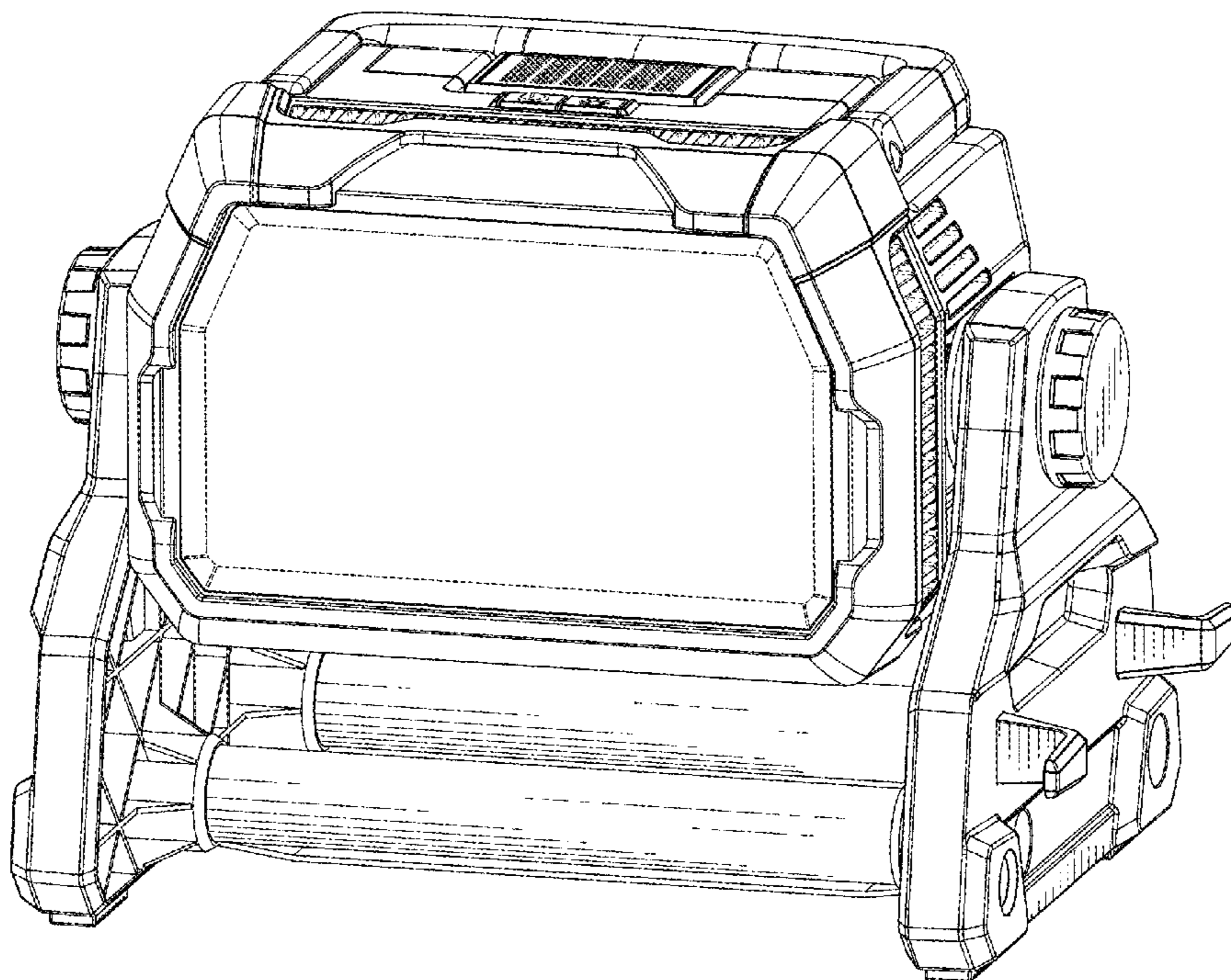
(57) **CLAIM**

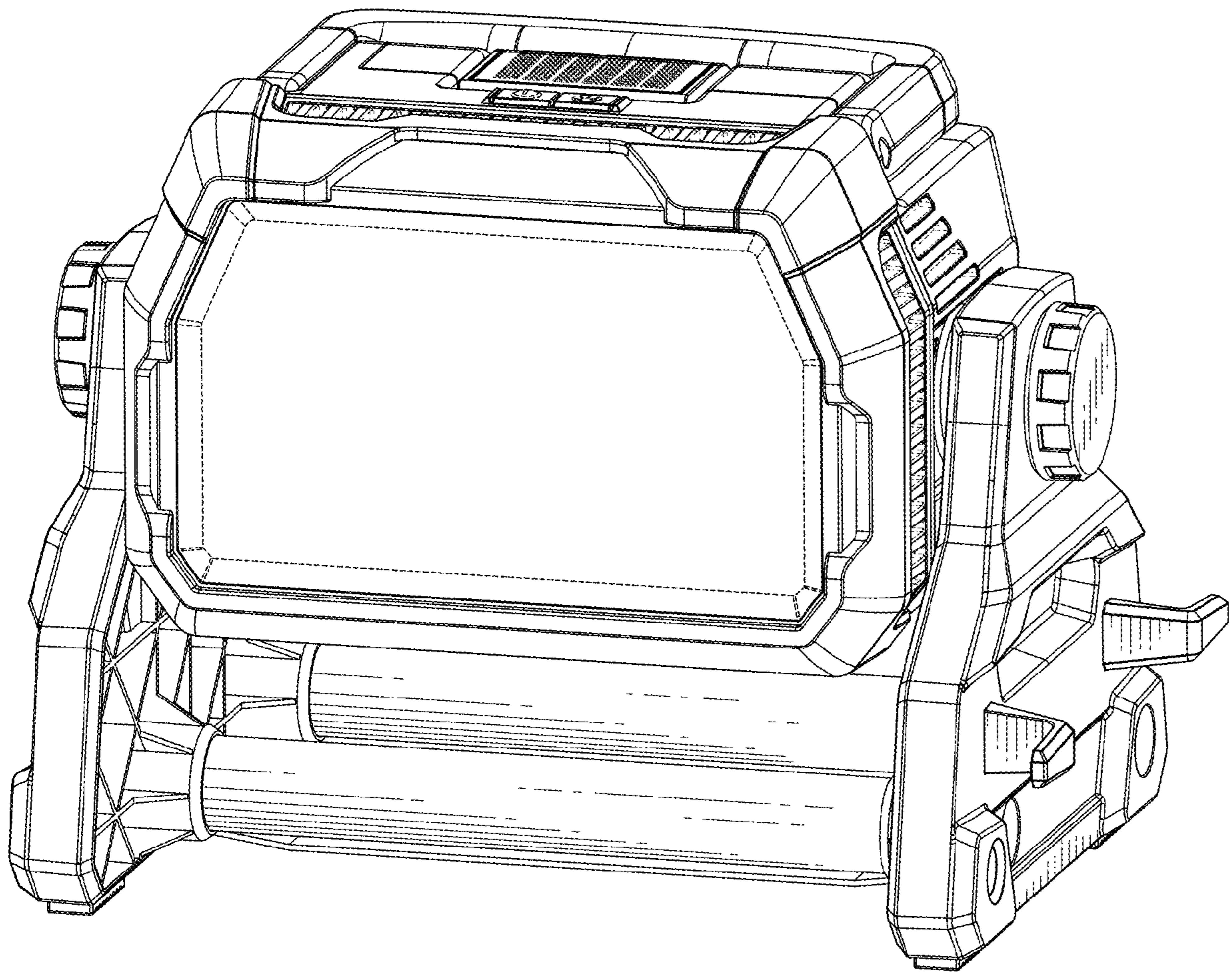
The ornamental design for a floodlight, as shown and described.

**DESCRIPTION**

FIG. 1 is a front perspective view of a floodlight in accordance with our new design;  
FIG. 2 is a rear perspective view of the floodlight in accordance with our new design;  
FIG. 3 is a front elevational view of the floodlight in accordance with our new design;  
FIG. 4 is a rear elevational view of the floodlight in accordance with our new design;  
FIG. 5 is a top plan view of the floodlight in accordance with our new design;  
FIG. 6 is a bottom plan view of the floodlight in accordance with our new design;  
FIG. 7 is a right side elevational view of the floodlight in accordance with our new design; and,  
FIG. 8 is a left side elevational view of the floodlight in accordance with our new design.  
The broken line showing of environmental structures in the drawings forms no part of the claimed design.

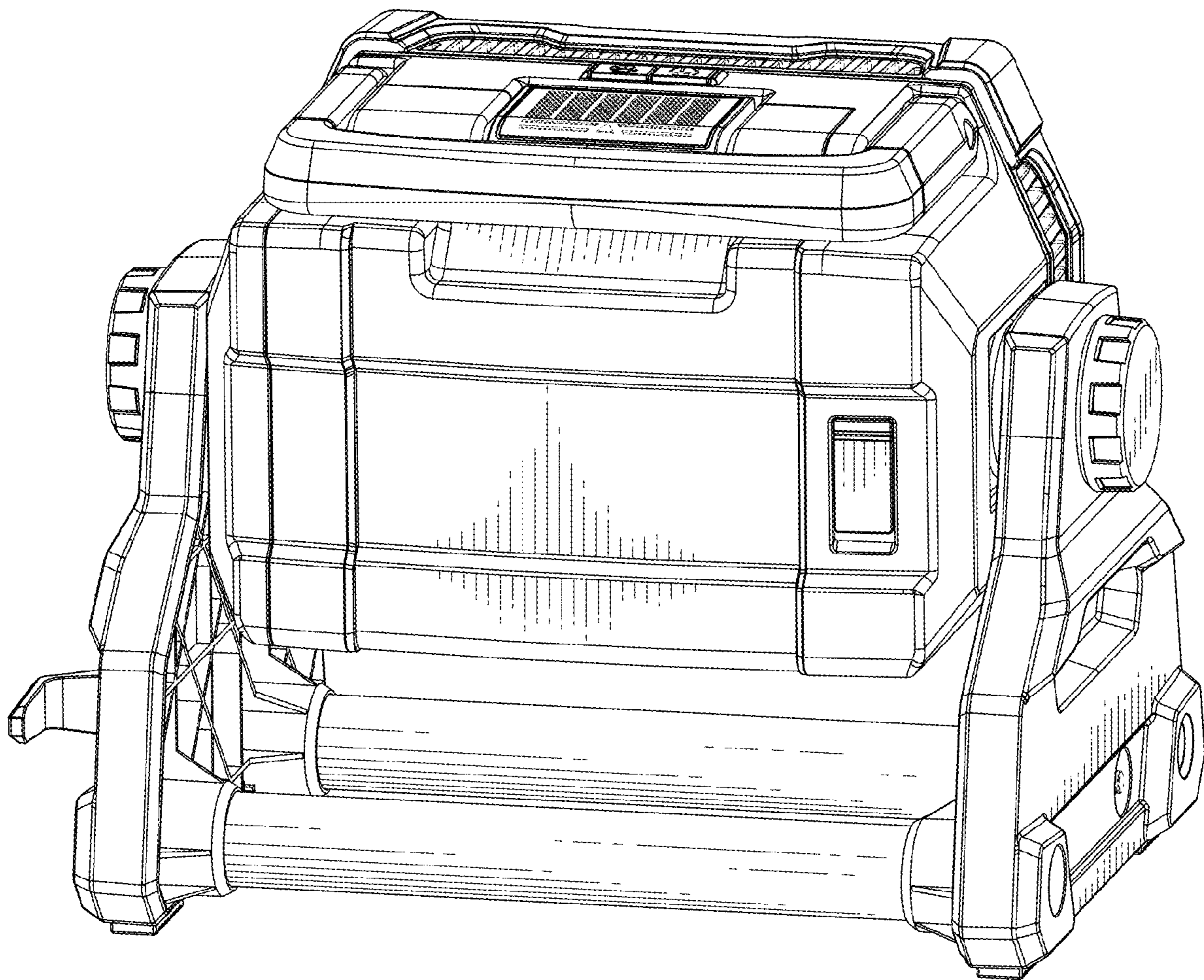
**1 Claim, 8 Drawing Sheets**



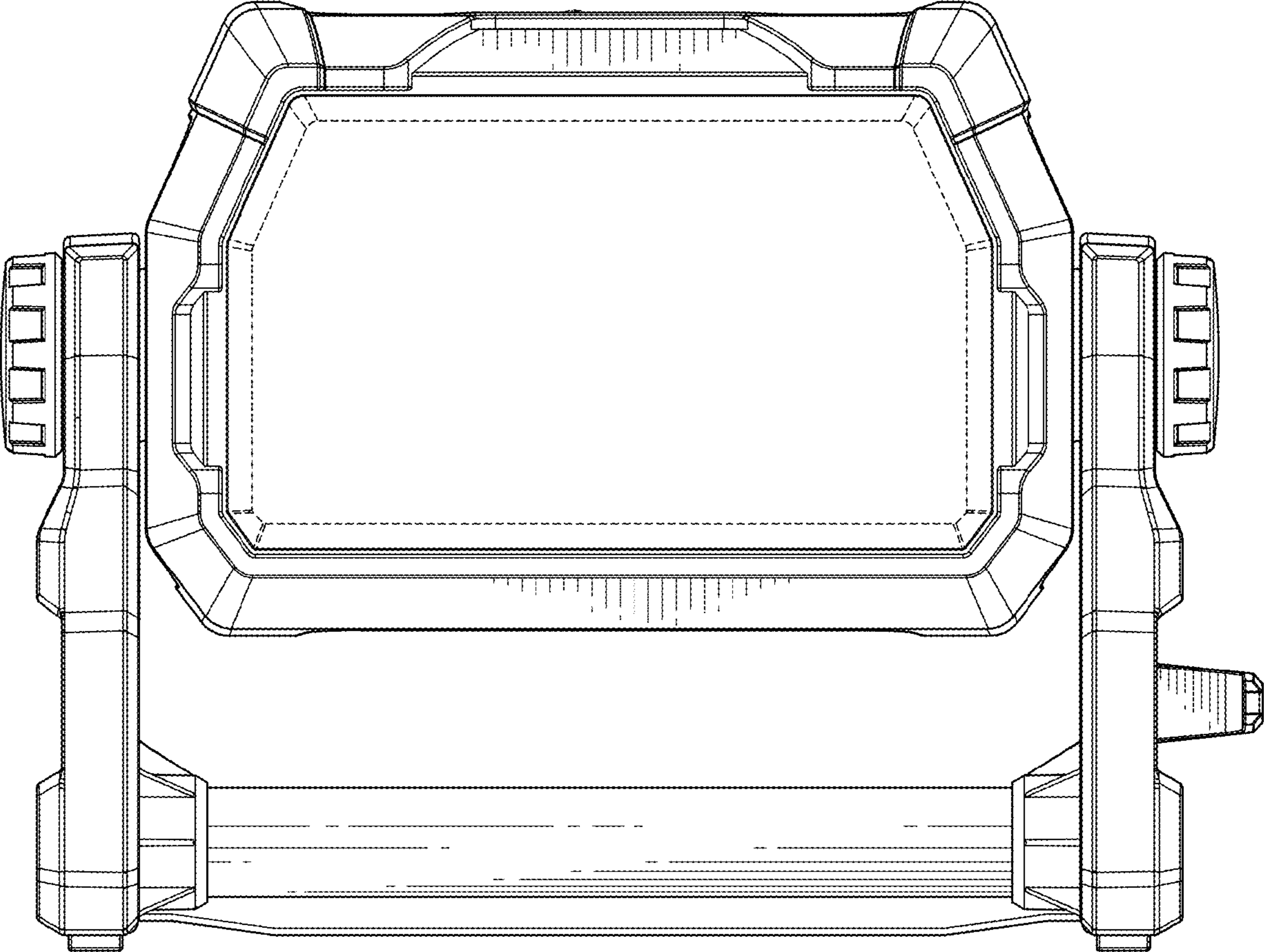


**FIG. 1**





**FIG. 2**



**FIG. 3**

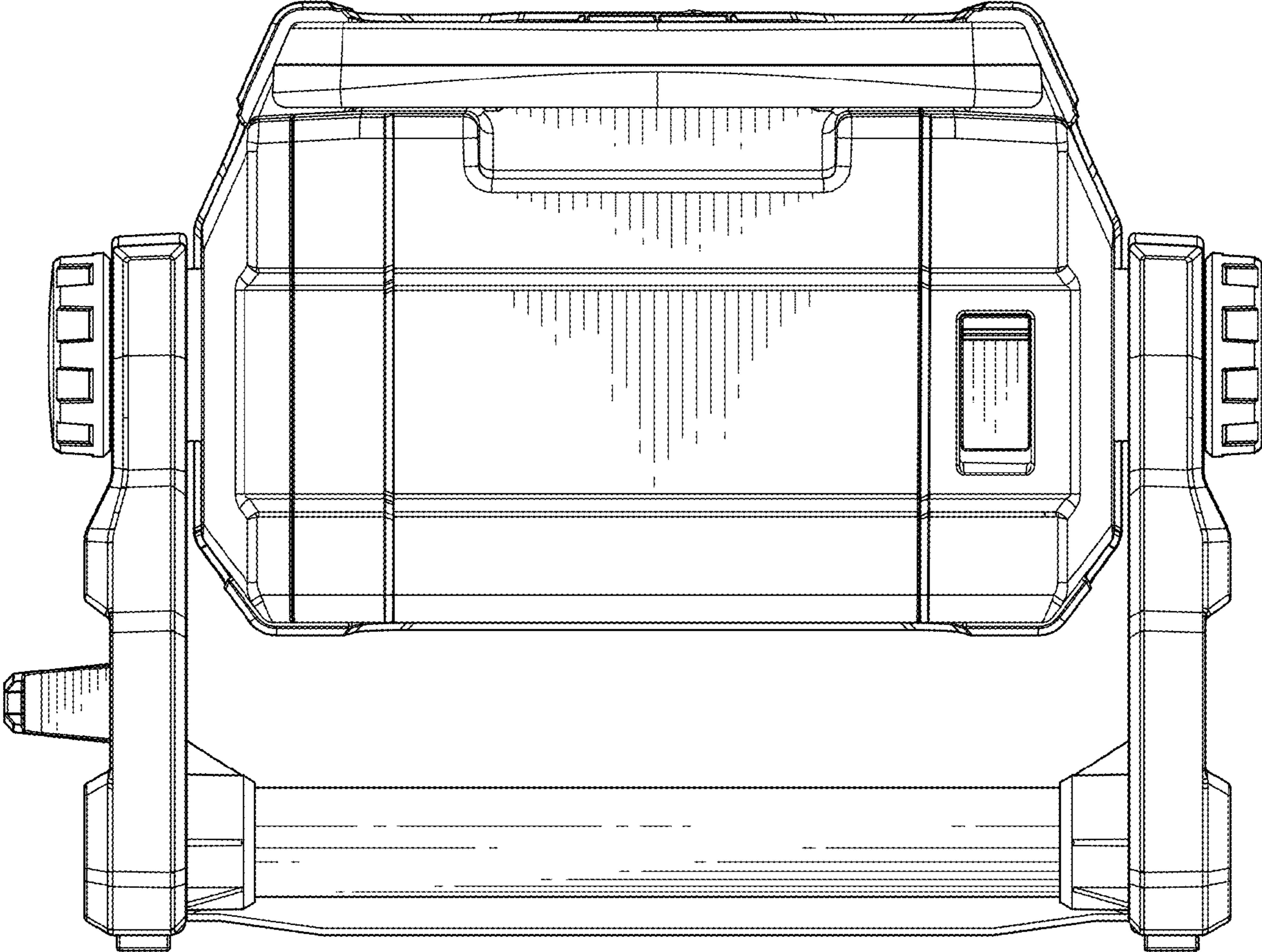


FIG. 4



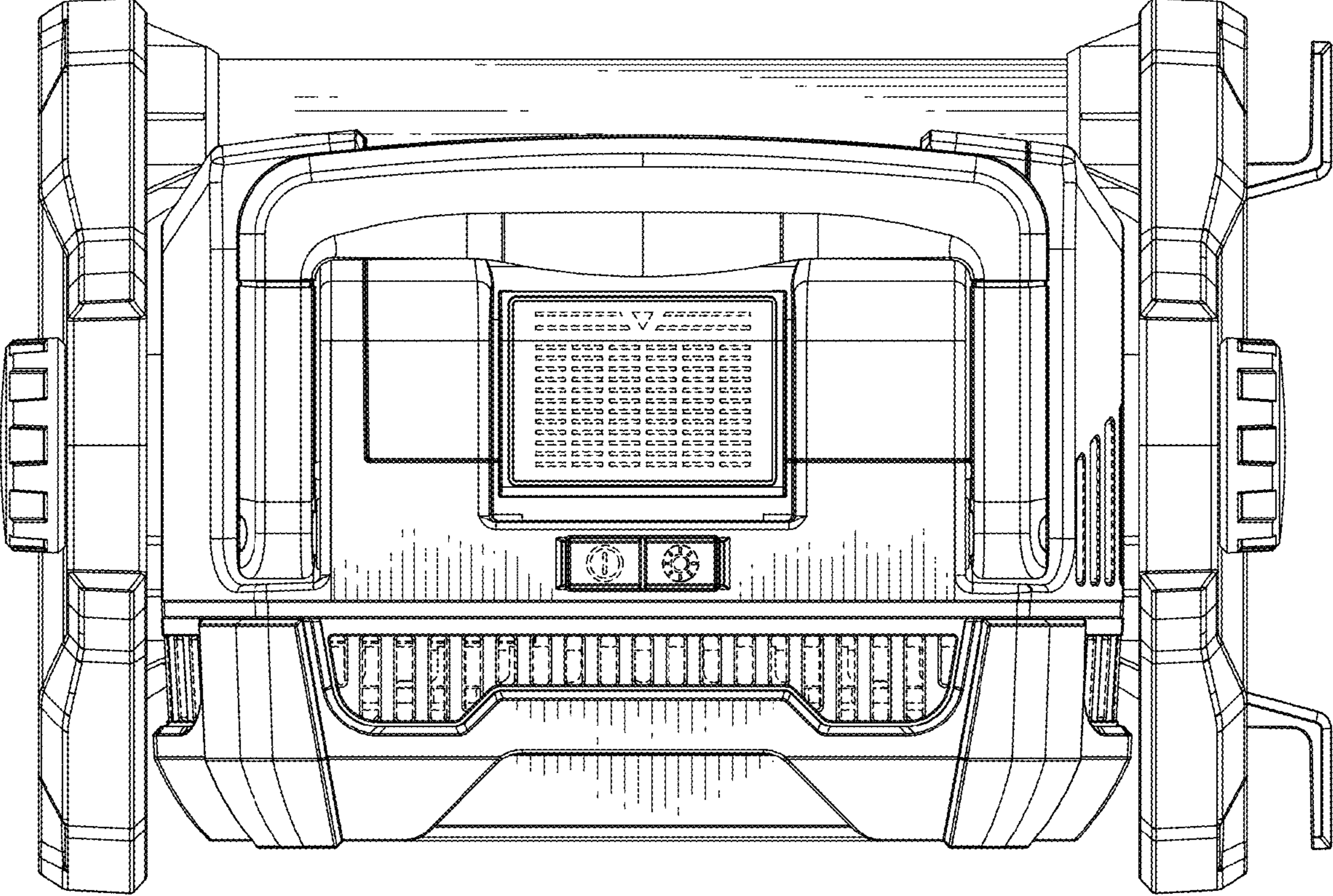


FIG. 5

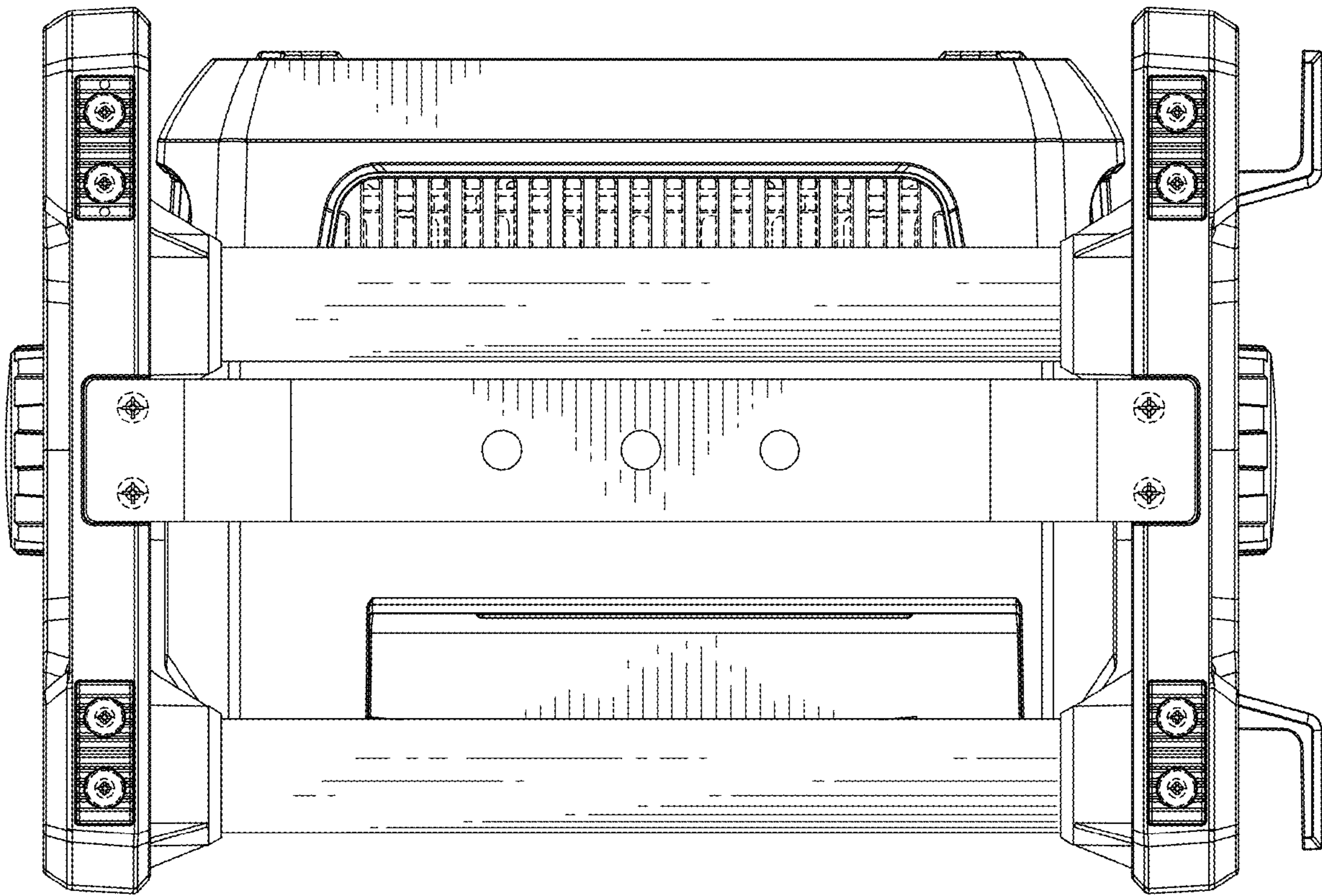
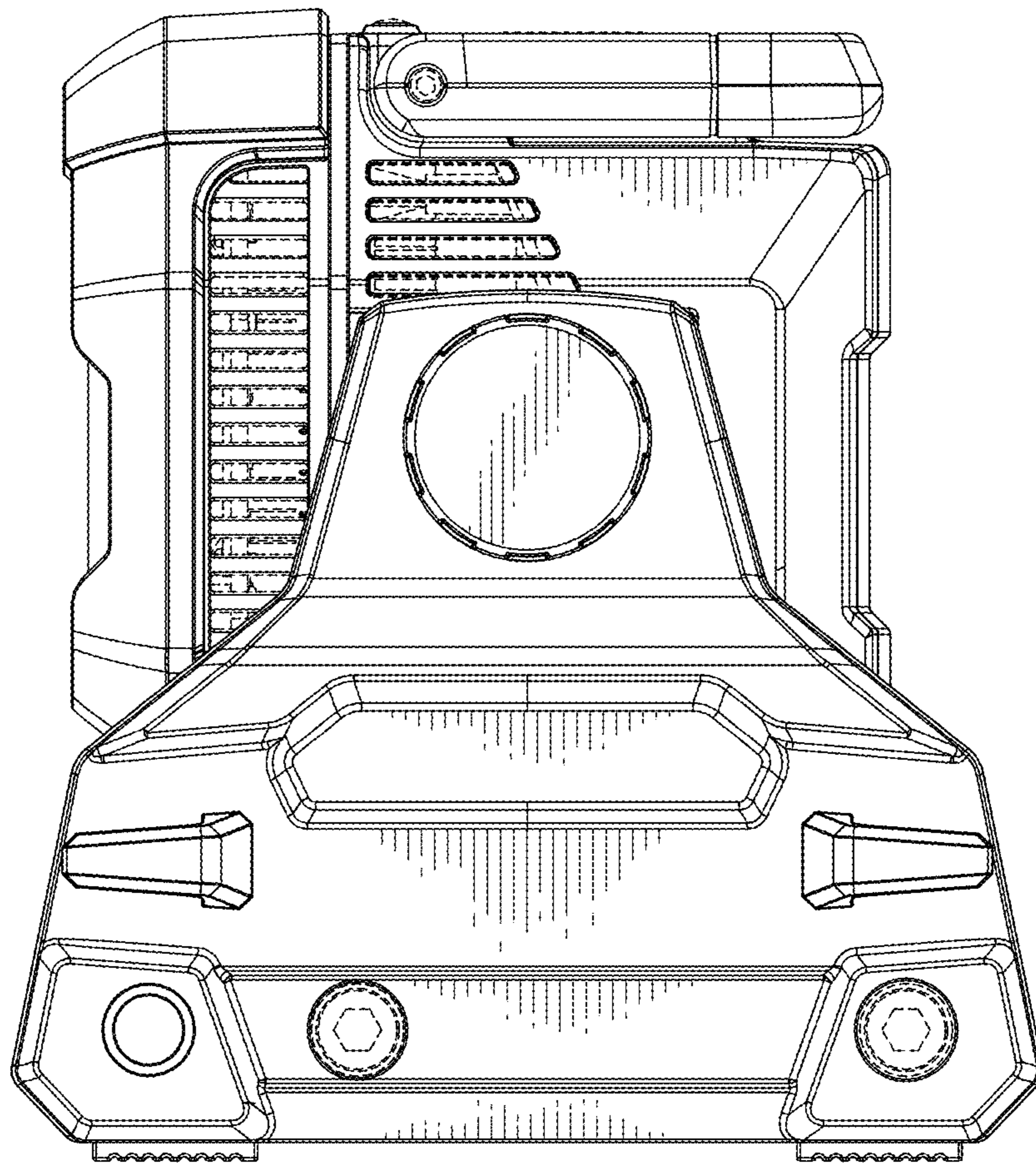
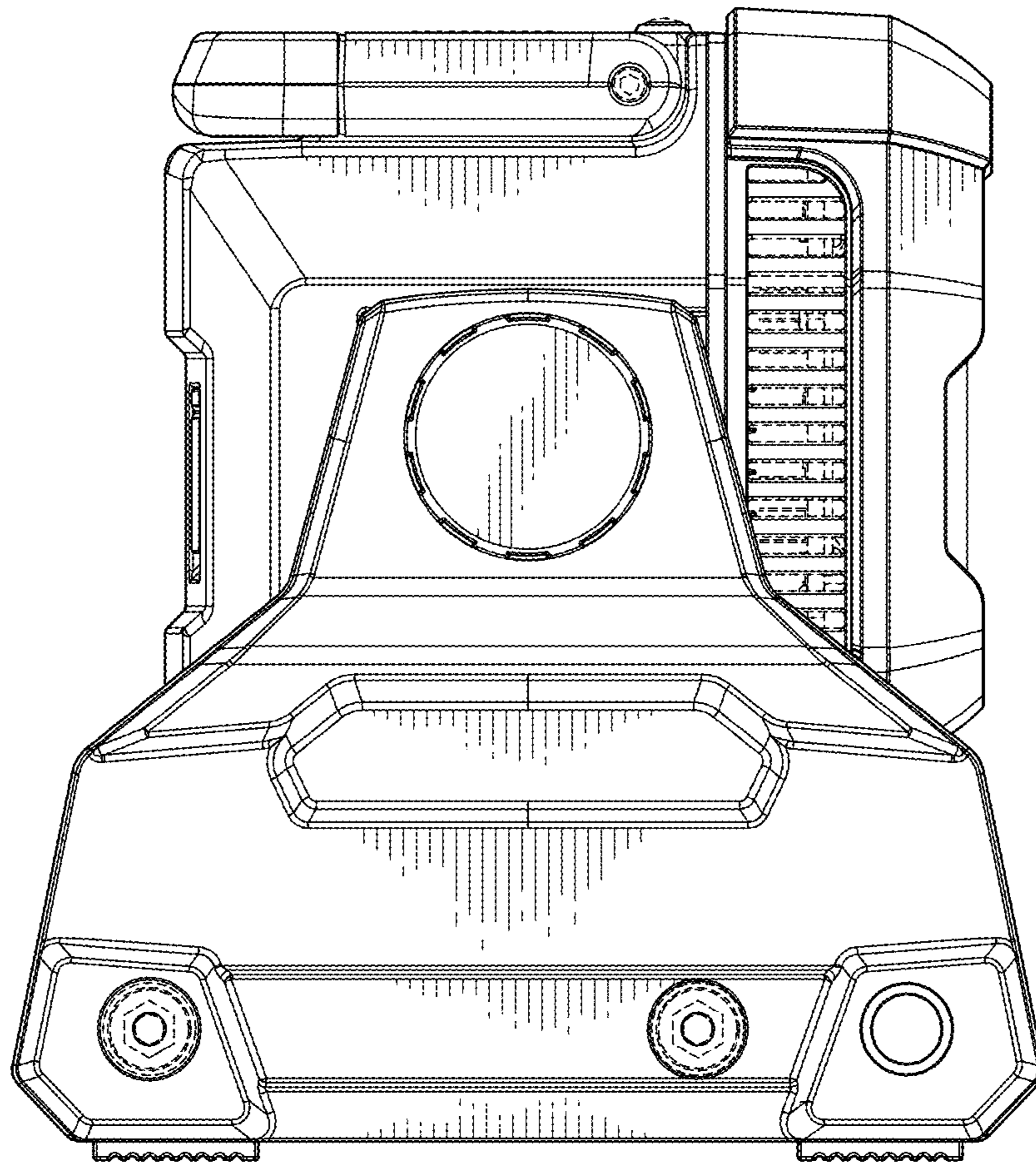


FIG. 6



**FIG. 7**





**FIG. 8**