



US00D907266S

(12) **United States Design Patent**  
**Christensen**

(10) **Patent No.:** **US D907,266 S**

(45) **Date of Patent:** **\*\* \*Jan. 5, 2021**

(54) **FLASHLIGHT**

(71) Applicant: **Simple Products Corporation**, Draper, UT (US)

(72) Inventor: **Brian Christensen**, Draper, UT (US)

(73) Assignee: **Simple Products Corporation**, Draper, UT (US)

(\*) Notice: This patent is subject to a terminal disclaimer.

(\*\*) Term: **15 Years**

(21) Appl. No.: **29/641,254**

(22) Filed: **Mar. 20, 2018**

(51) **LOC (13) Cl.** ..... **26-02**

(52) **U.S. Cl.**  
USPC ..... **D26/49**

(58) **Field of Classification Search**  
USPC ..... D26/37-51  
CPC ..... F21L 2003/00; F21L 4/00; F21L 4/005;  
F21L 4/02; F21L 4/025; F21L 4/027;  
F21L 4/04; F21L 4/08; F21L 2005/00;  
F21L 7/00; F21L 11/00; F21L 13/00;  
F21L 13/04; F21L 13/08; F21L 14/02;  
F21L 17/00; F21L 19/00; F21L 25/00

See application file for complete search history.

(56) **References Cited**

**U.S. PATENT DOCUMENTS**

D326,927 S	6/1992	Catalina	
D333,012 S	2/1993	Fleming	
D345,814 S	4/1994	Wright, III	
D422,744 S	4/2000	Losole, III	
D422,745 S	4/2000	Losole, III	
D483,892 S	12/2003	Poon	
D529,647 S	10/2006	Shiu	
D531,746 S	* 11/2006	Zhu	D26/49

D535,419 S	1/2007	Shiu	
D535,771 S	1/2007	Shiu	
D537,968 S	3/2007	Shiu	
D547,891 S	7/2007	Shiu	
D548,391 S	8/2007	Lecluze	
D548,865 S	8/2007	Meoli et al.	
D553,282 S	* 10/2007	Zhu	D26/49
D559,418 S	1/2008	Poon	
D568,515 S	* 5/2008	Liu	D26/49
D570,511 S	* 6/2008	Shiu	D26/49
D575,429 S	8/2008	Shiu	
D581,586 S	11/2008	Conroy	
D596,772 S	* 7/2009	Chang	D26/49
D625,448 S	* 10/2010	Brown	D26/49
D629,940 S	* 12/2010	Osterhout	D26/38
D636,511 S	* 4/2011	Cen	D26/49
D641,901 S	* 7/2011	Opolka	D26/49
D643,561 S	* 8/2011	Maglica	D26/49
D650,104 S	12/2011	Brands et al.	

(Continued)

*Primary Examiner* — Lakiya G Rogers

*Assistant Examiner* — Carissa C Fitts

(74) *Attorney, Agent, or Firm* — Thorpe North & Western, LLP

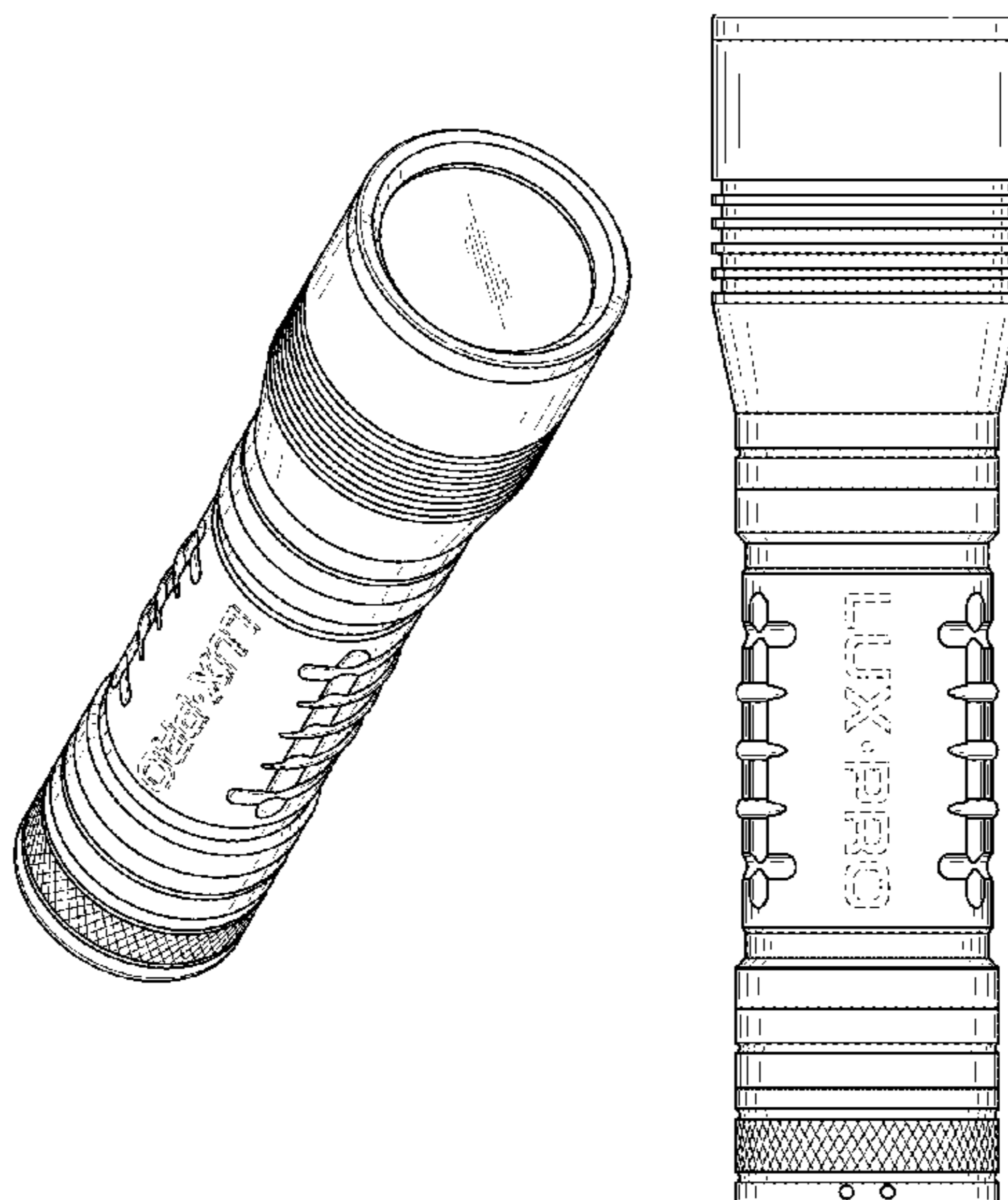
(57) **CLAIM**

The ornamental design for a flashlight, as shown and described.

**DESCRIPTION**

FIG. 1 is a front top perspective view of a flashlight in accordance with my invention;  
FIG. 2 is a bottom back perspective view thereof;  
FIG. 3 is a back view thereof;  
FIG. 4 is a front view thereof;  
FIG. 5 is a left view thereof;  
FIG. 6 is a right view thereof;  
FIG. 7 is a top view thereof; and,  
FIG. 8 is a bottom view thereof.  
Throughout the drawings, the broken lines show portions of the flashlight which form no part of the claimed design.

**1 Claim, 4 Drawing Sheets**



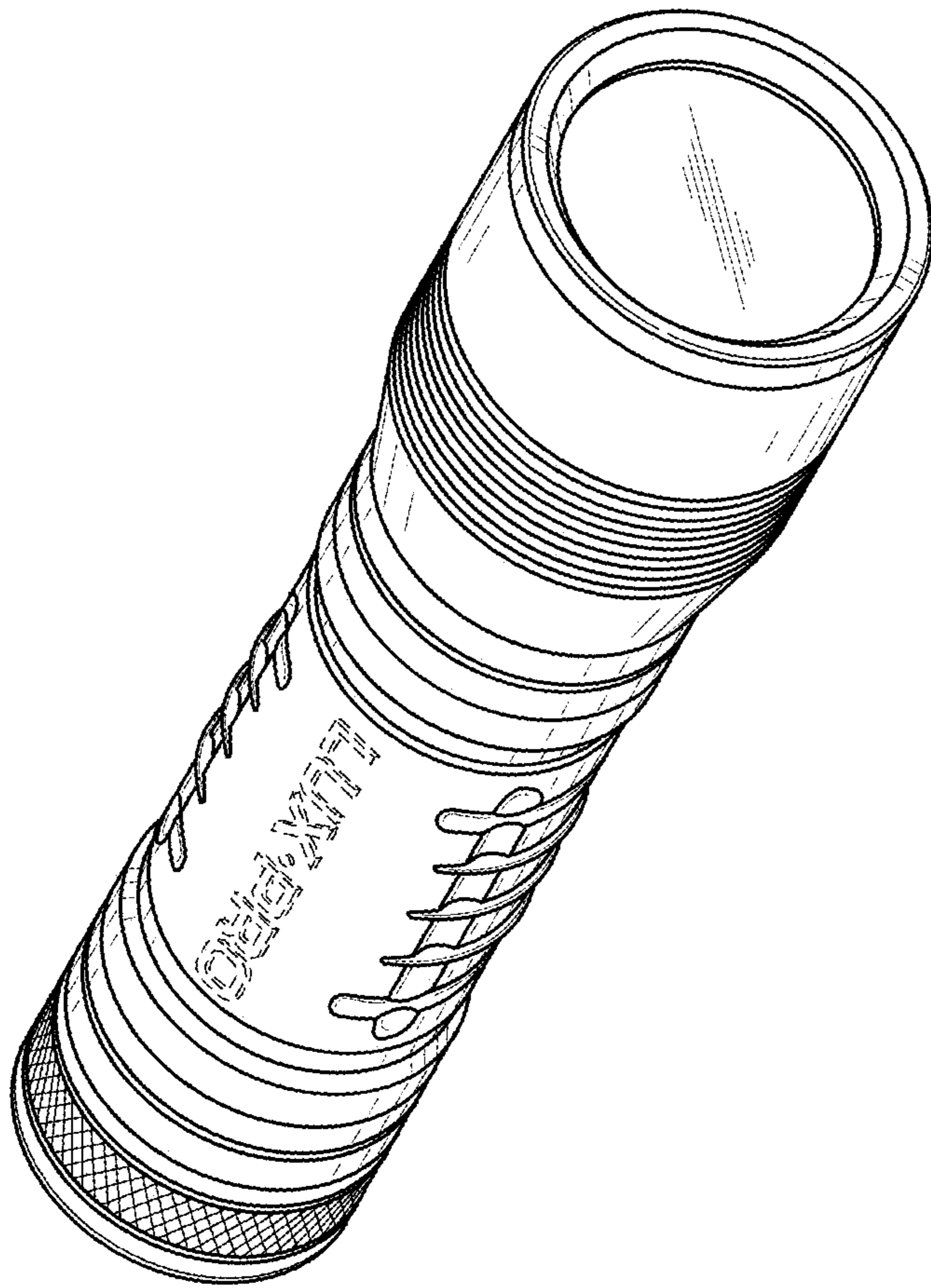
(56)

**References Cited**

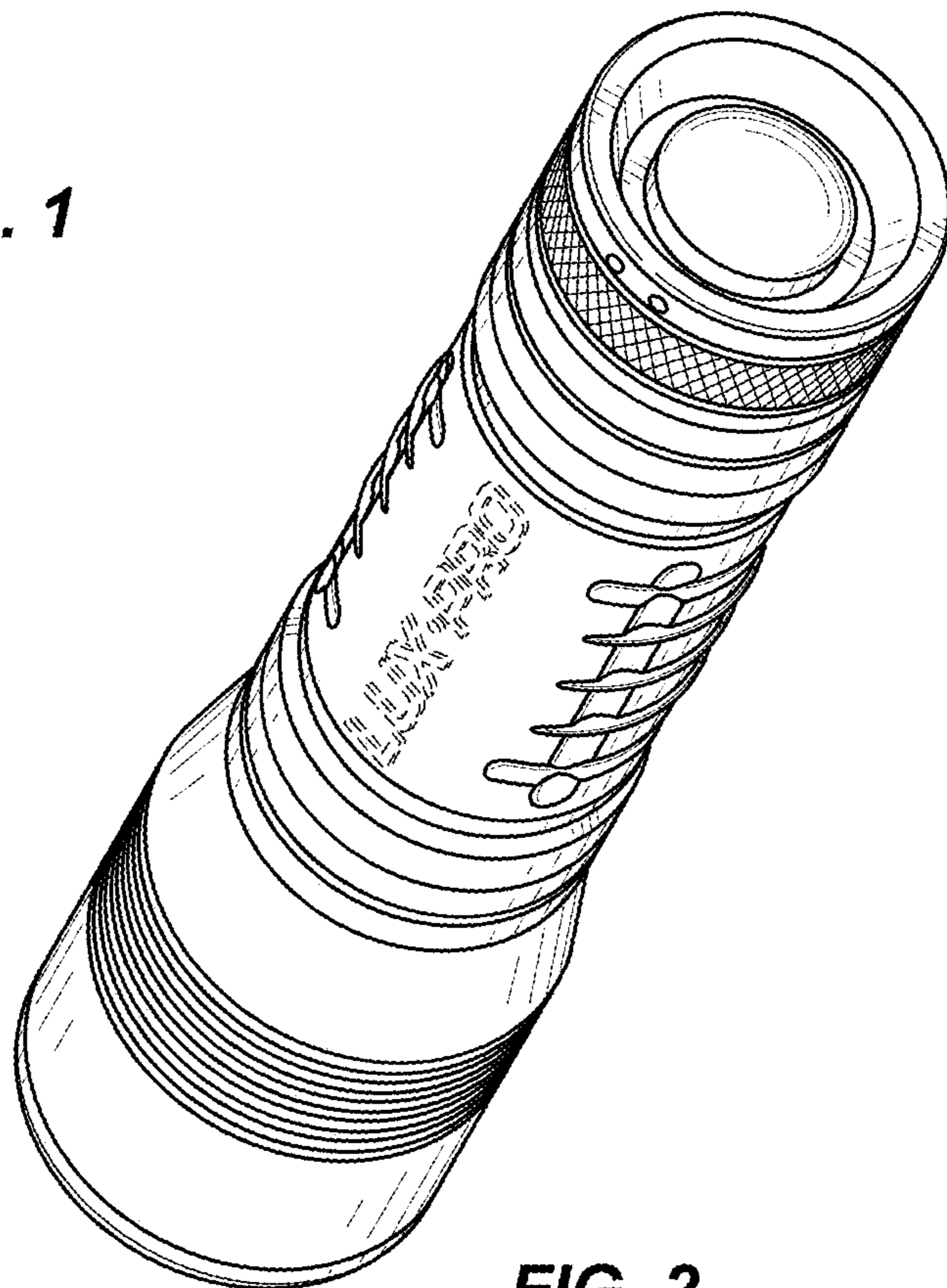
## U.S. PATENT DOCUMENTS

D667,578 S *	9/2012	Milz .....	D26/49
D673,315 S *	12/2012	Milz .....	D26/49
D706,476 S	6/2014	Lee	
D707,378 S	6/2014	Shiu	
D709,232 S *	7/2014	Inskeep .....	D26/49
D709,643 S	7/2014	Kohler et al.	
D710,526 S *	8/2014	Lee .....	D26/49
D717,481 S *	11/2014	Yong .....	D26/49
D726,945 S *	4/2015	Kunzendorf .....	D26/49
D743,601 S *	11/2015	Maglica .....	D26/49
9,217,547 B2	12/2015	Sharrah	
D749,254 S	2/2016	Robinson et al.	
D752,273 S	3/2016	Pratt et al.	
D777,371 S	1/2017	Yang	
D784,601 S	4/2017	Yang	
D786,466 S *	5/2017	Prieto .....	D26/49
D794,237 S	8/2017	Christensen	
D794,857 S *	8/2017	Sharrah .....	D26/49
D799,089 S	10/2017	Green	
D805,668 S	12/2017	Shirley et al.	
D809,687 S	2/2018	Krantz et al.	
D809,688 S	2/2018	Christensen	
D810,337 S *	2/2018	Eichelberger .....	D26/49
D818,185 S	5/2018	Wilson	
D818,622 S *	5/2018	Kunzendorf .....	D26/49
D823,506 S	7/2018	Shiu	
D827,894 S *	9/2018	Huang .....	D26/49
D844,201 S	3/2019	Khubani	
D850,683 S	6/2019	Shelton	

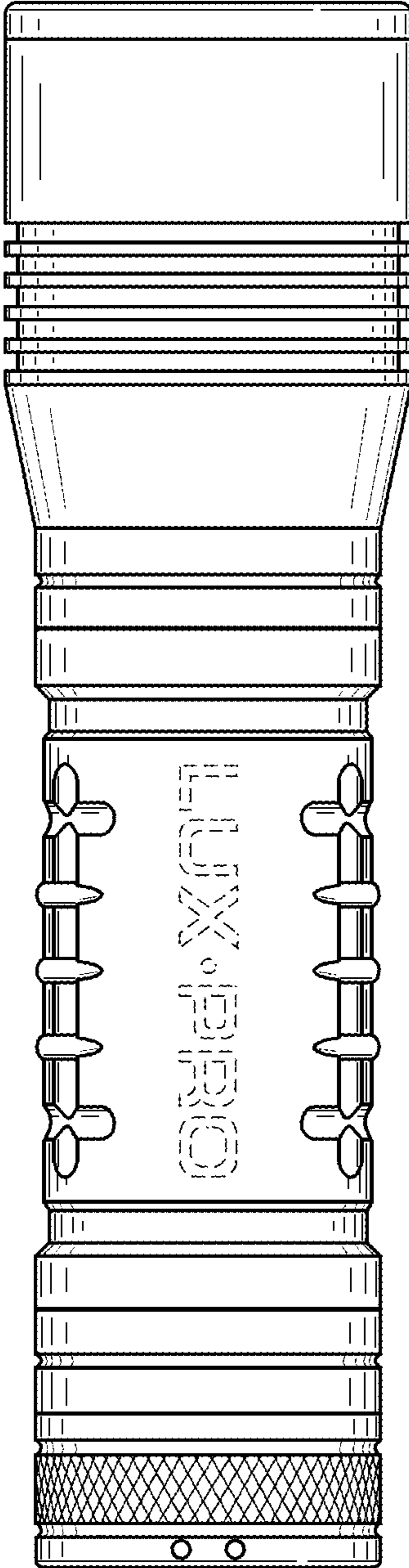
\* cited by examiner



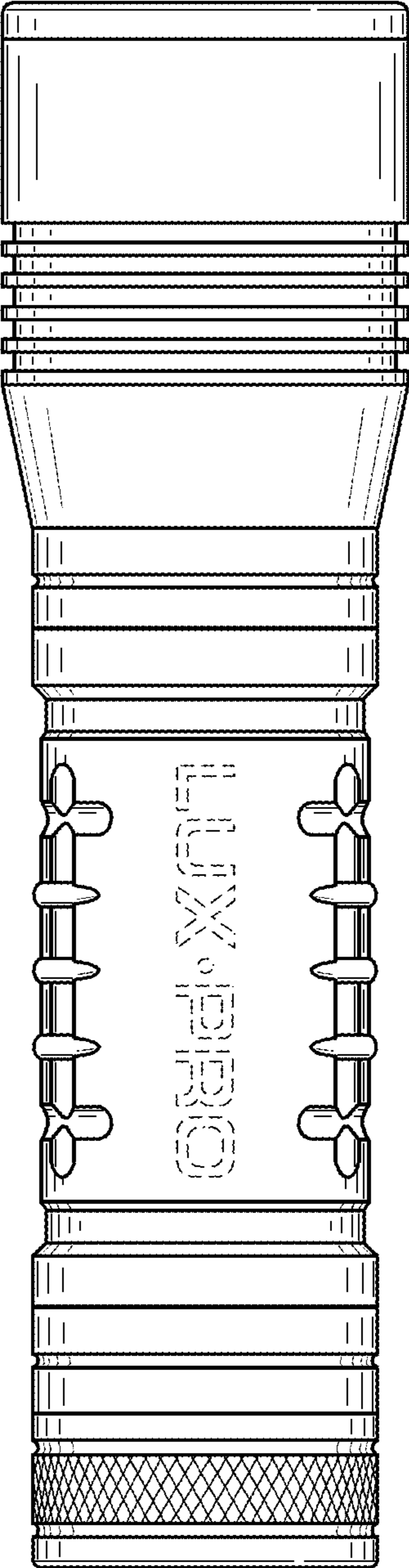
**FIG. 1**



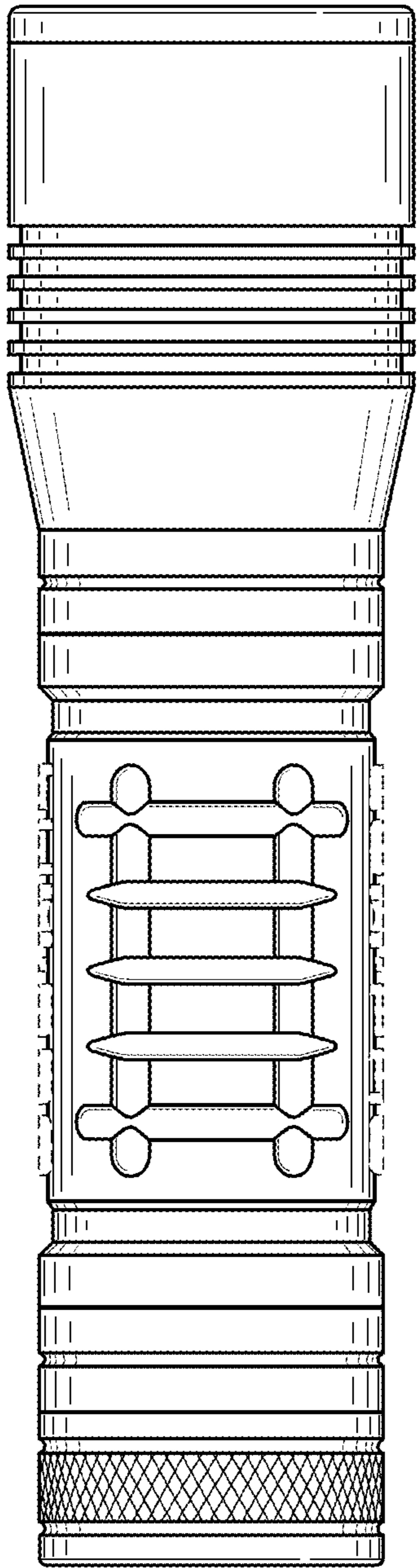
**FIG. 2**



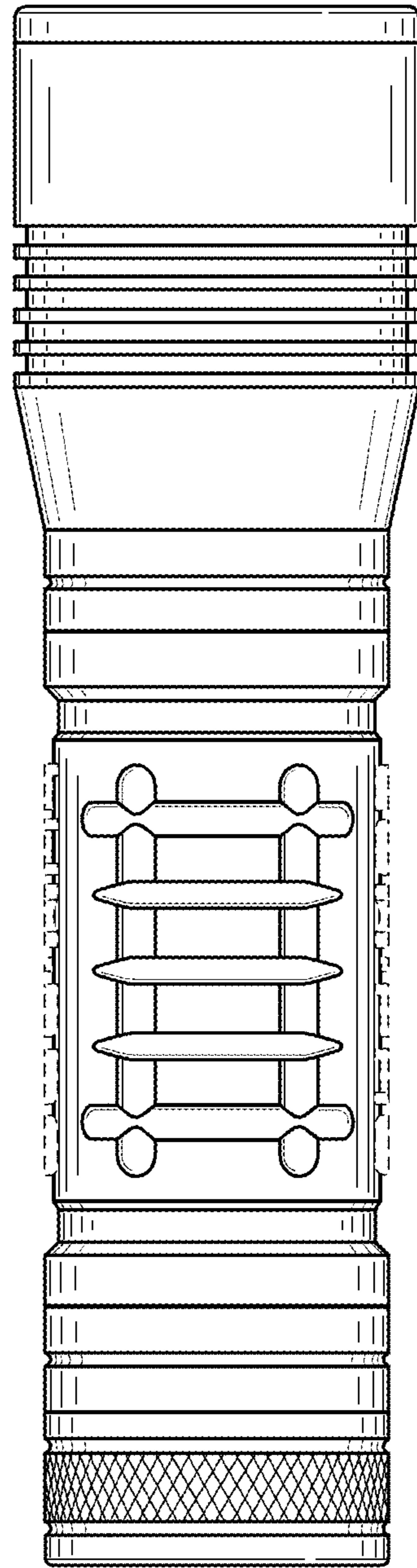
**FIG. 3**



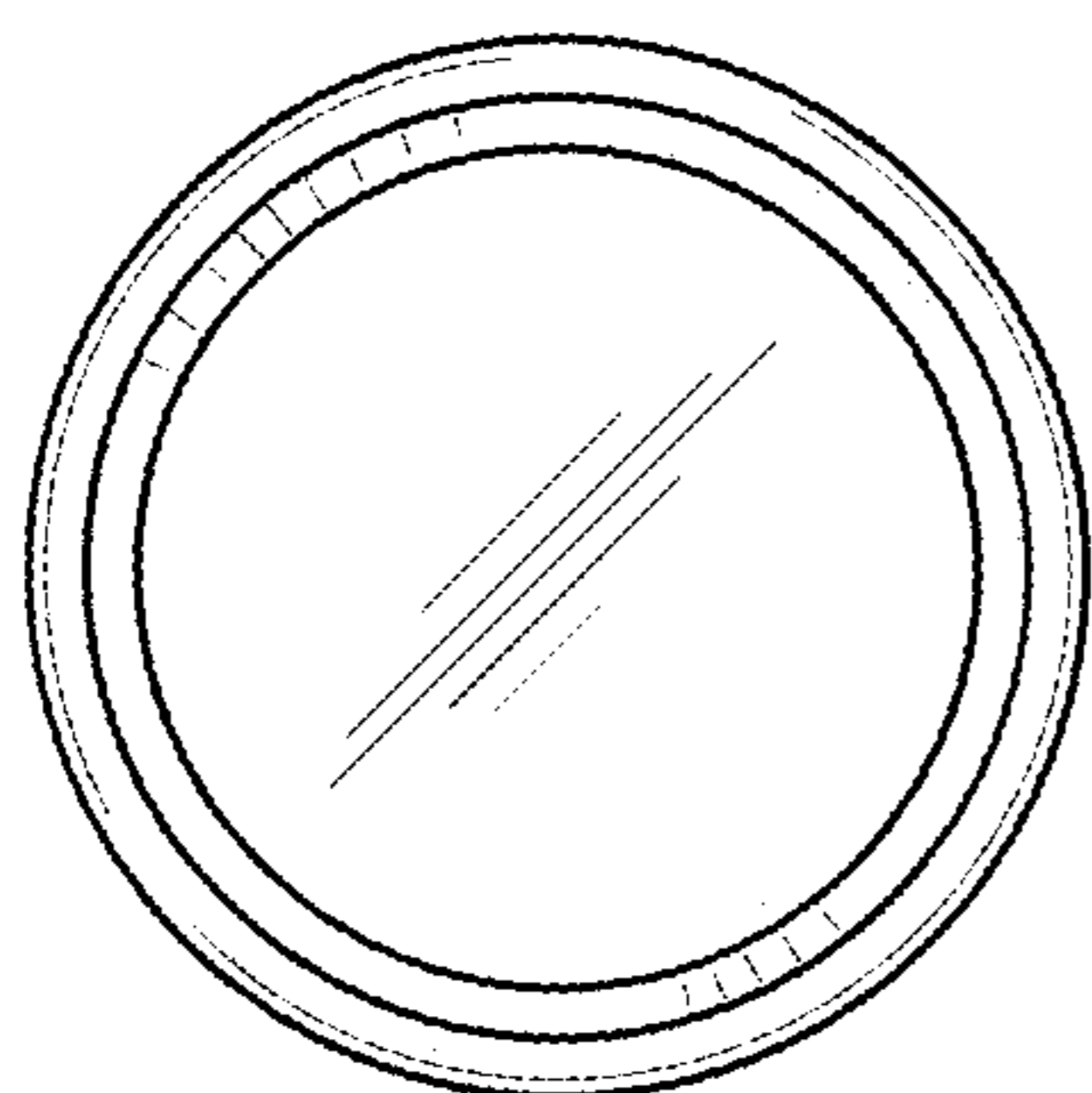
**FIG. 4**



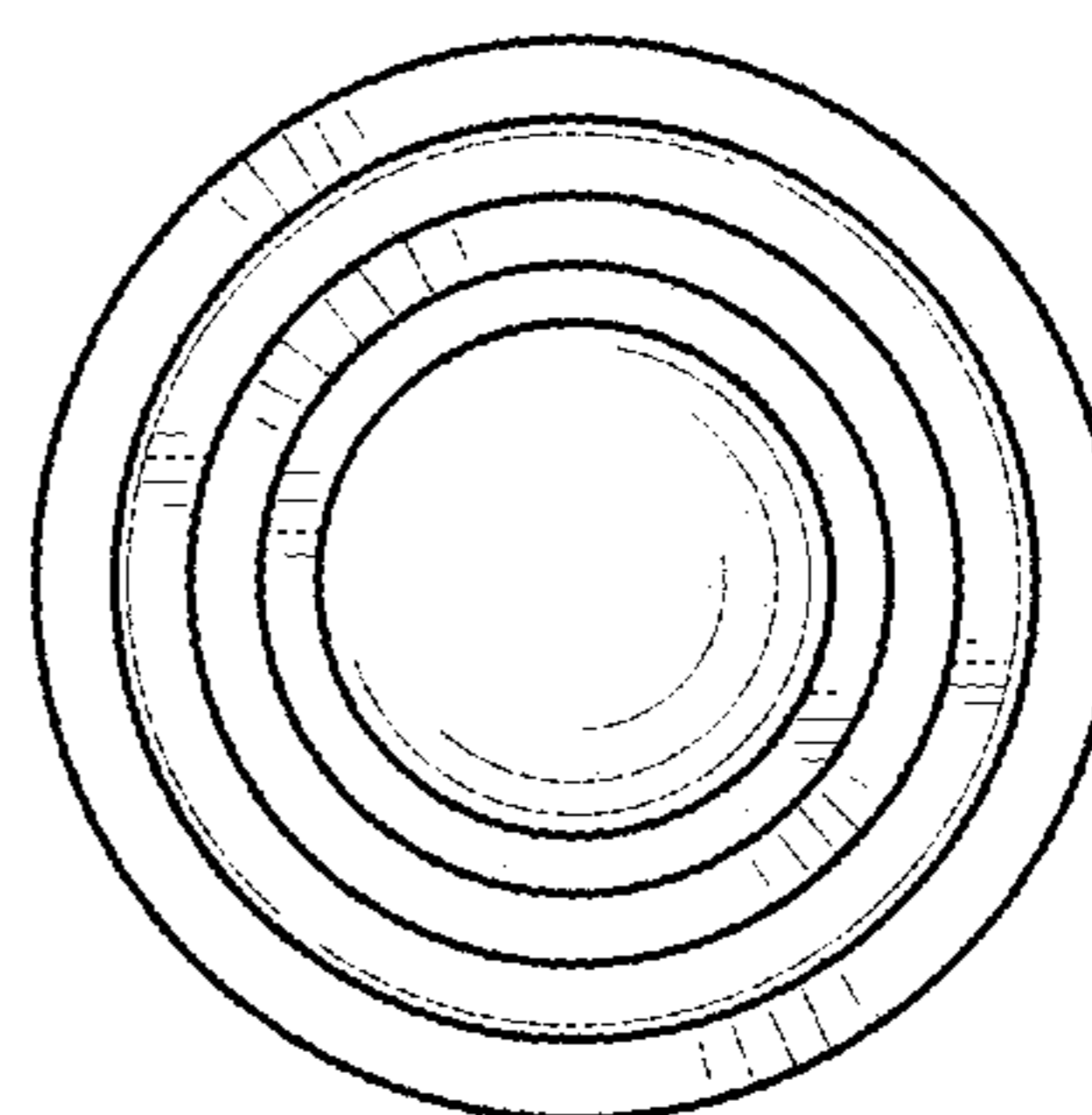
**FIG. 5**



**FIG. 6**



**FIG. 7**



**FIG. 8**