



US00D907265S

(12) **United States Design Patent**
Wang

(10) **Patent No.:** **US D907,265 S**

(45) **Date of Patent:** **** Jan. 5, 2021**

(54) **RECHARGEABLE EMERGENCY LIGHT**

(71) Applicant: **Bo Wang**, Sichuan Province (CN)

(72) Inventor: **Bo Wang**, Sichuan Province (CN)

(**) Term: **15 Years**

(21) Appl. No.: **29/710,210**

(22) Filed: **Oct. 21, 2019**

(51) **LOC (13) Cl.** **26-02**

(52) **U.S. Cl.**
USPC **D26/41**

(58) **Field of Classification Search**
USPC D10/109.1-115, 111, 121; D14/204, 209,
D14/210, 215, 216; D26/37, 40, 41, 60,
D26/72, 85, 86, 88, 118, 120, 122
CPC F21L 4/00-085
See application file for complete search history.

(56) **References Cited**

U.S. PATENT DOCUMENTS

D263,506 S *	3/1982	Chan	D26/41
D468,040 S *	12/2002	Krieger	D26/40
D505,216 S *	5/2005	Chen	D26/40
D527,128 S *	8/2006	Lo	D26/40
D604,436 S *	11/2009	Poon	D26/40
D648,055 S *	11/2011	Poon	D26/41
D670,013 S *	10/2012	Bertken	D26/40
D670,014 S *	10/2012	Bertken	D26/40

D674,945 S *	1/2013	Bertken	D26/40
D689,639 S *	9/2013	Chung	D26/40
D776,315 S *	1/2017	Wu	D26/41
D788,960 S *	6/2017	Thompkin	D26/41
D791,992 S *	7/2017	Hsu	D26/41
D808,555 S *	1/2018	Inskeep	D26/41
D851,810 S *	6/2019	Workman	D26/88
D869,738 S *	12/2019	Cheng	D26/113
D879,351 S *	3/2020	Deng	D26/72
D880,040 S *	3/2020	Pan	D26/72

* cited by examiner

Primary Examiner — George D. Kirschbaum

Assistant Examiner — Joseph J Kukella

(74) *Attorney, Agent, or Firm* — True Shepherd LLC;
Andrew C. Cheng

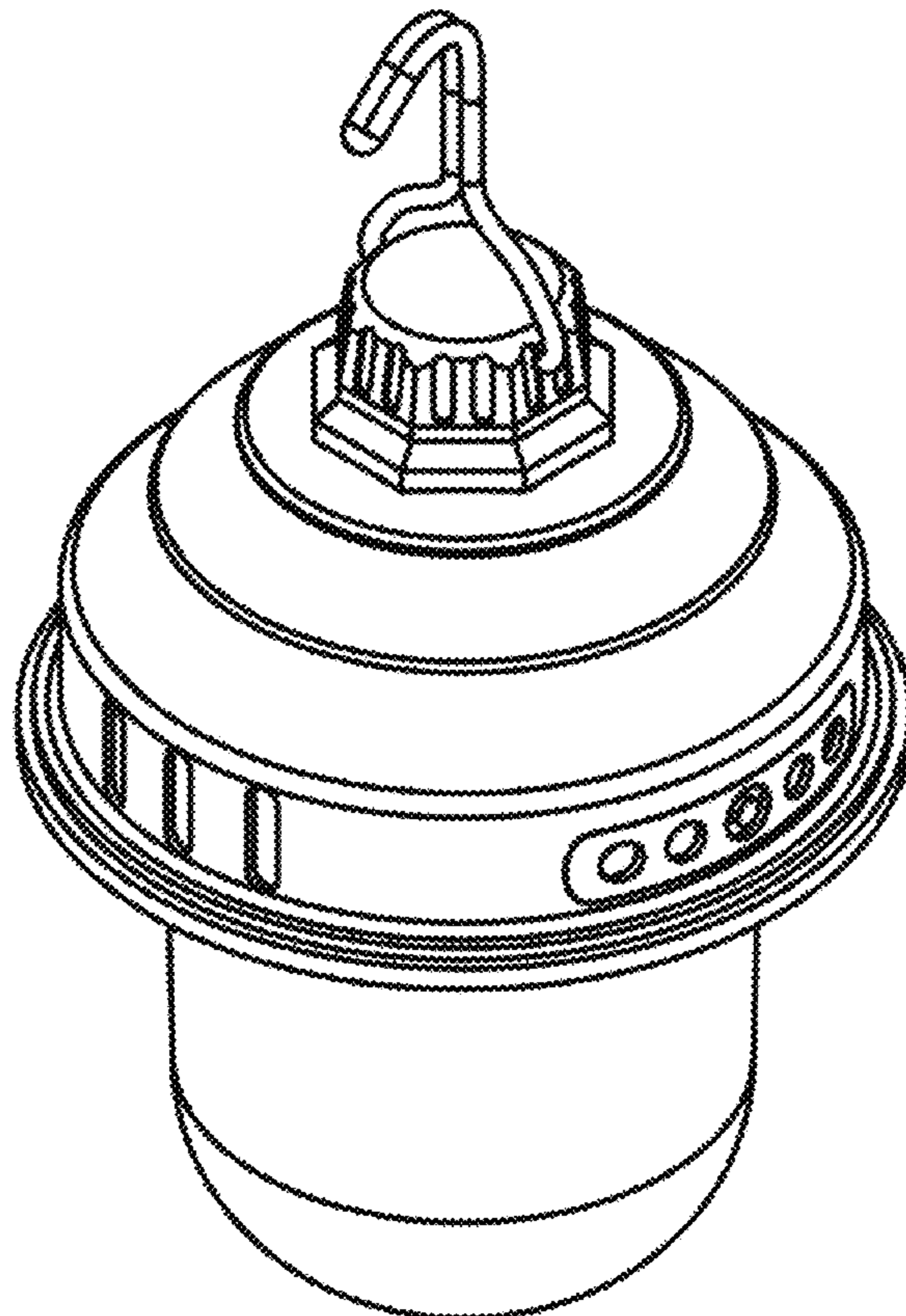
(57) **CLAIM**

The ornamental design for a rechargeable emergency light, as shown and described.

DESCRIPTION

FIG. 1 is a rear elevational view of a rechargeable emergency light, showing my new design;
FIG. 2 is a left side elevational view thereof;
FIG. 3 is a top plan view thereof;
FIG. 4 is a bottom plan view thereof;
FIG. 5 is a front elevational view thereof;
FIG. 6 is a right side elevational view thereof; and,
FIG. 7 is a front and top perspective view thereof.

1 Claim, 7 Drawing Sheets



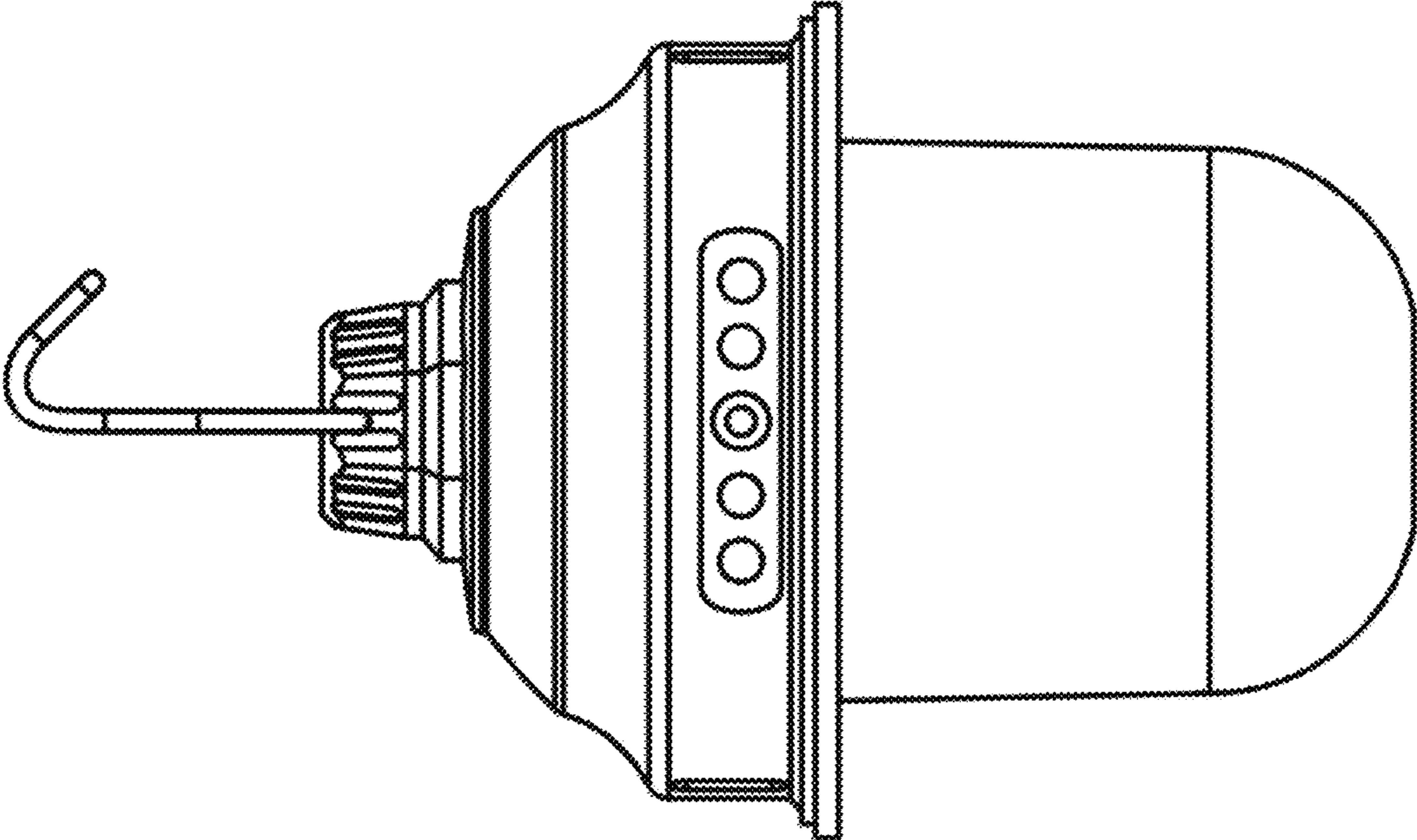


FIG. 1

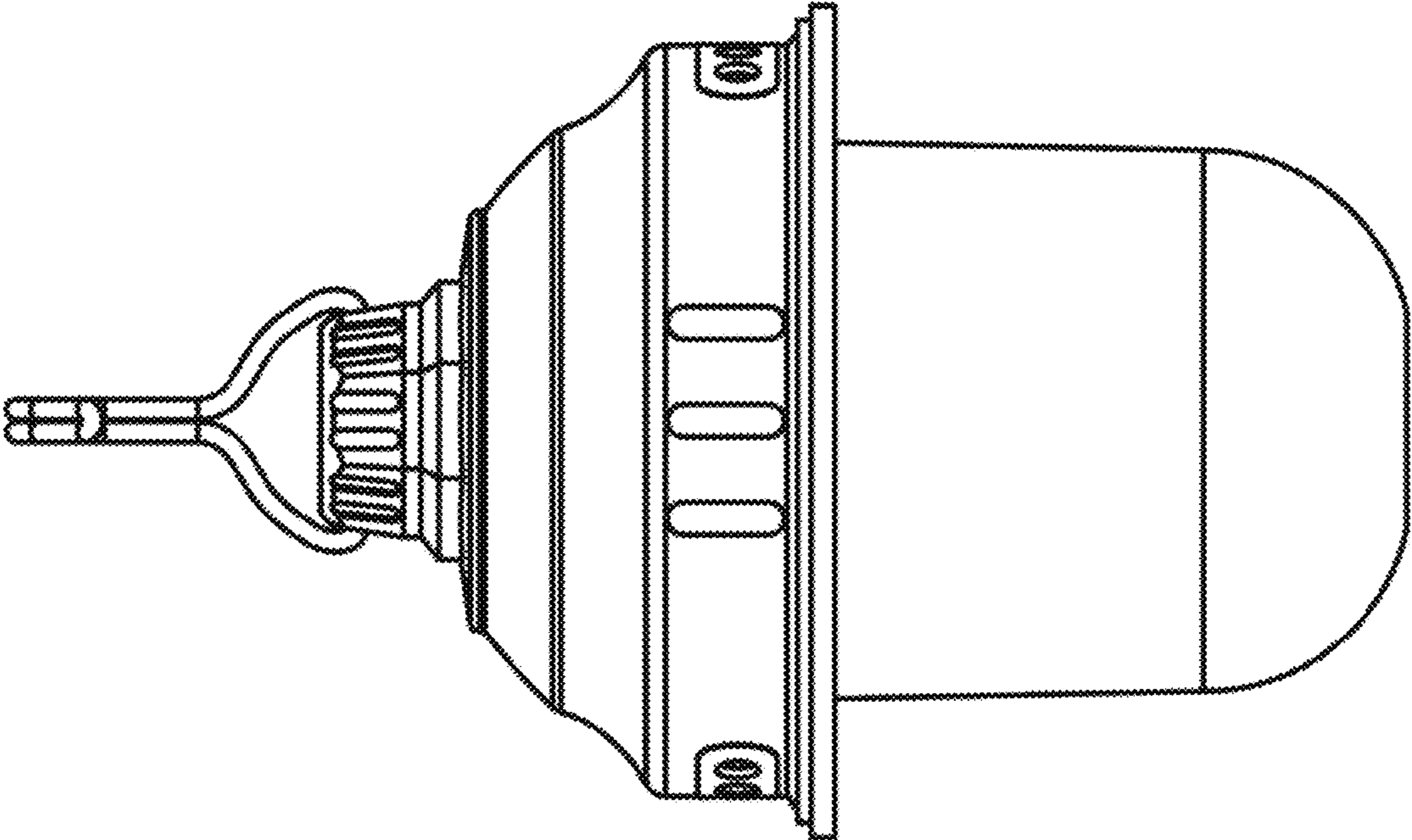


FIG. 2

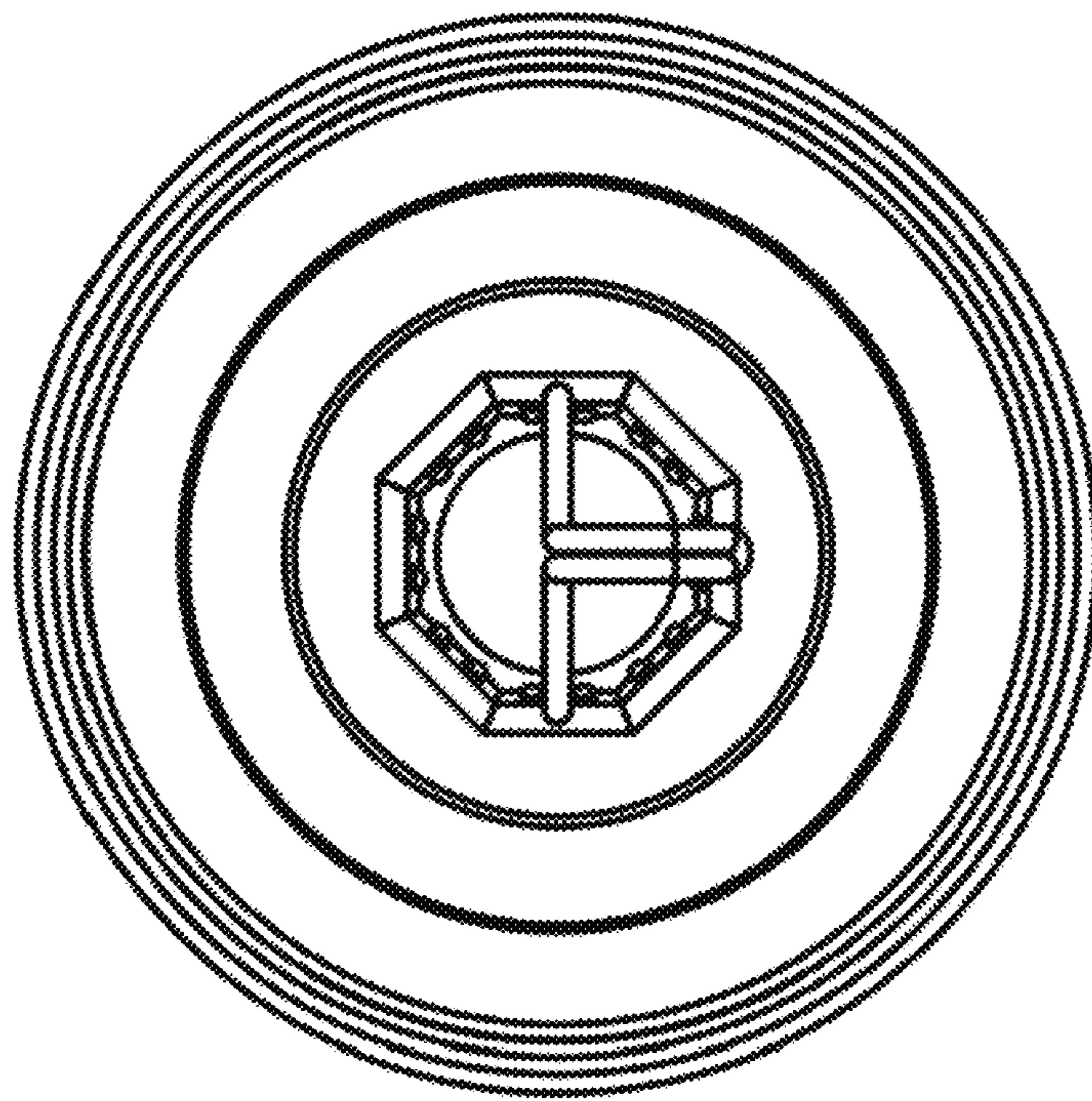


FIG. 3

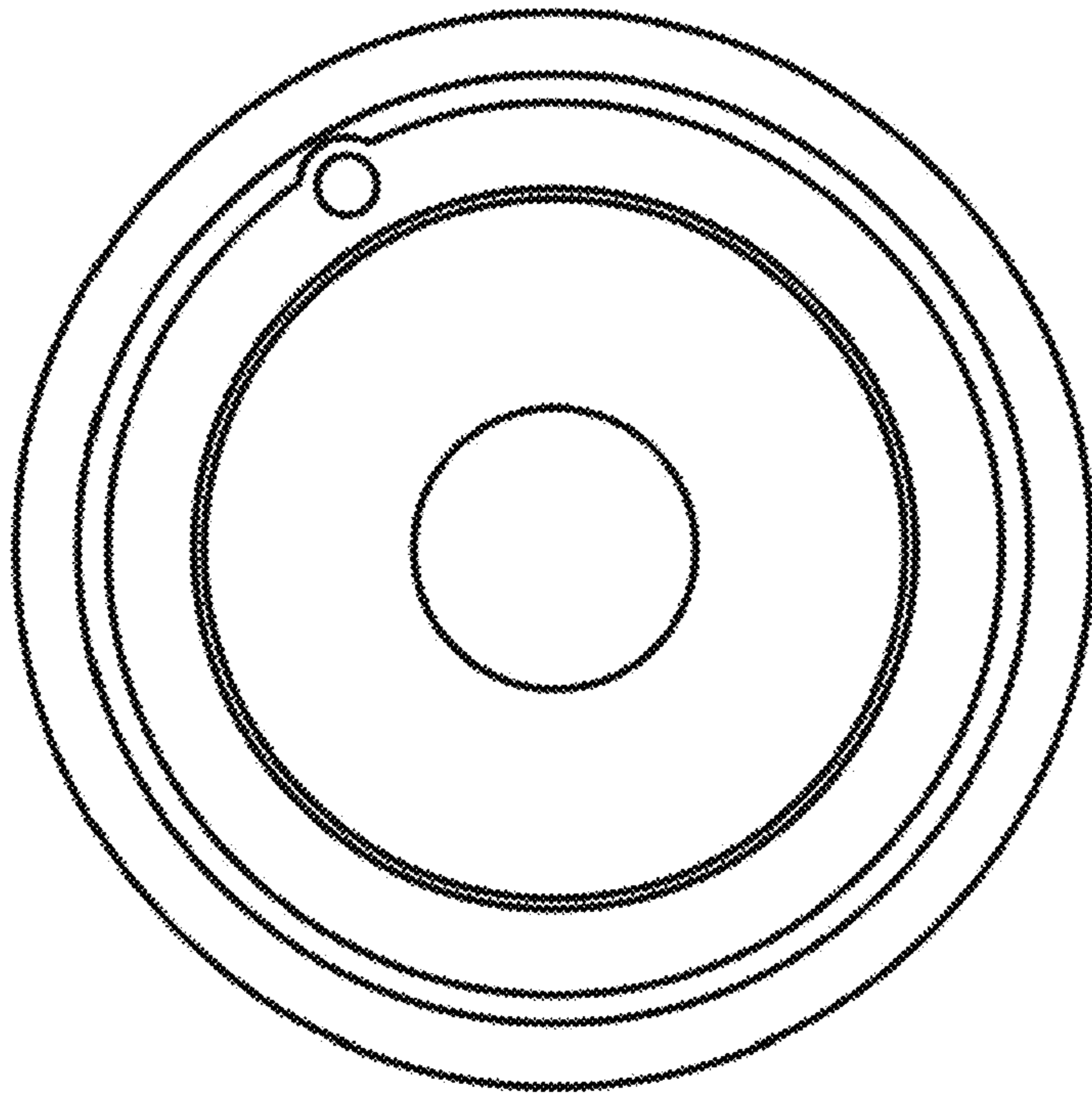


FIG. 4

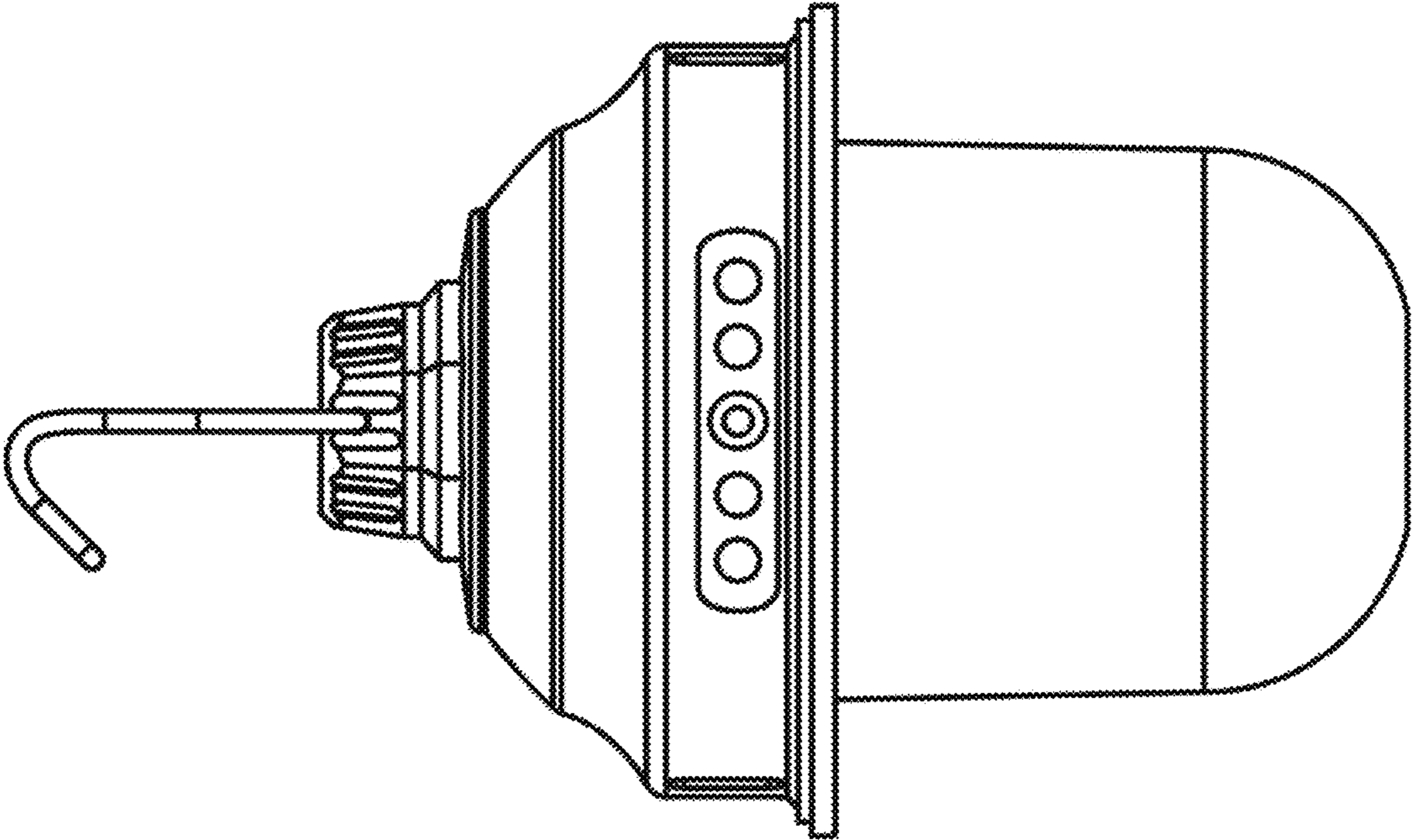


FIG. 5

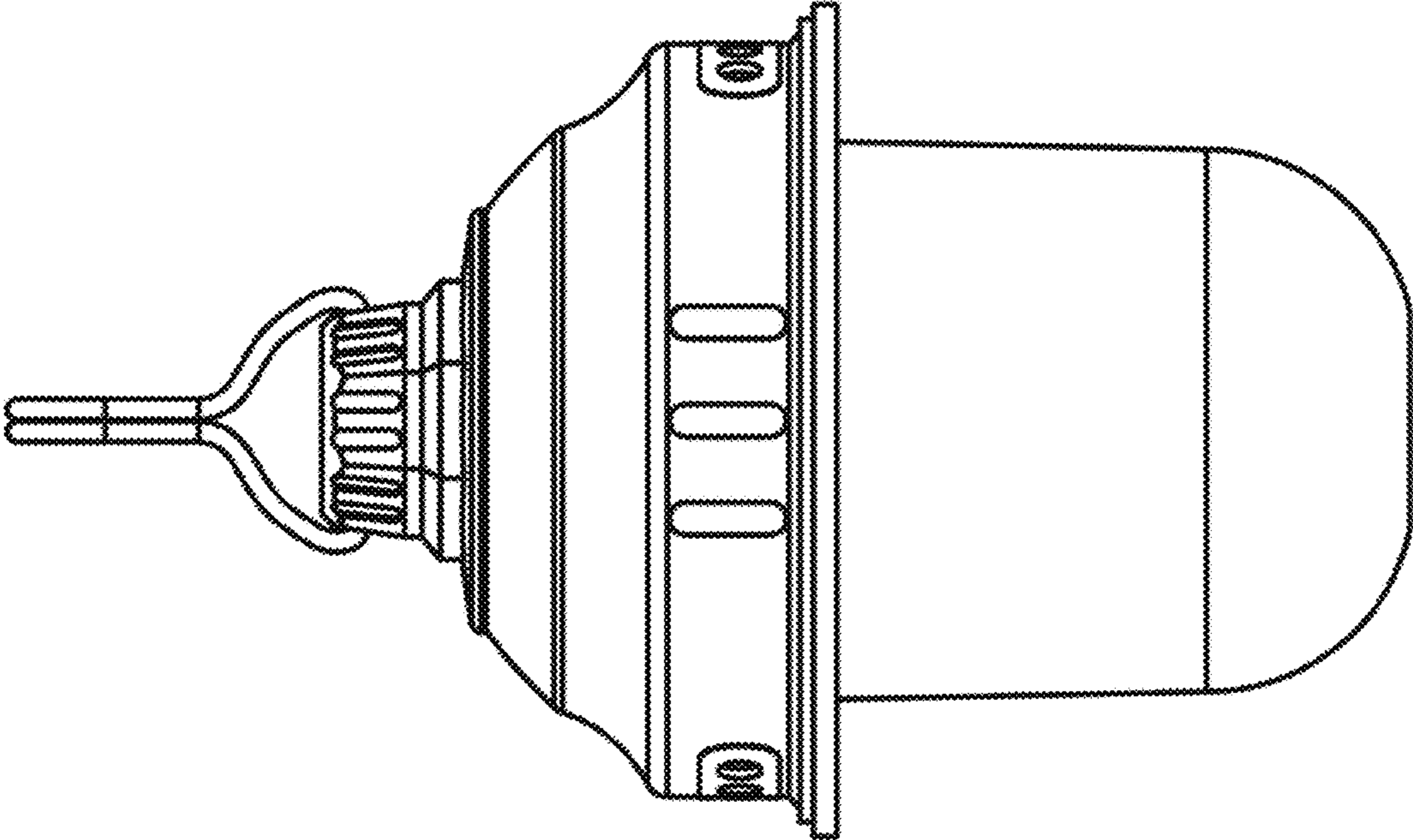


FIG. 6

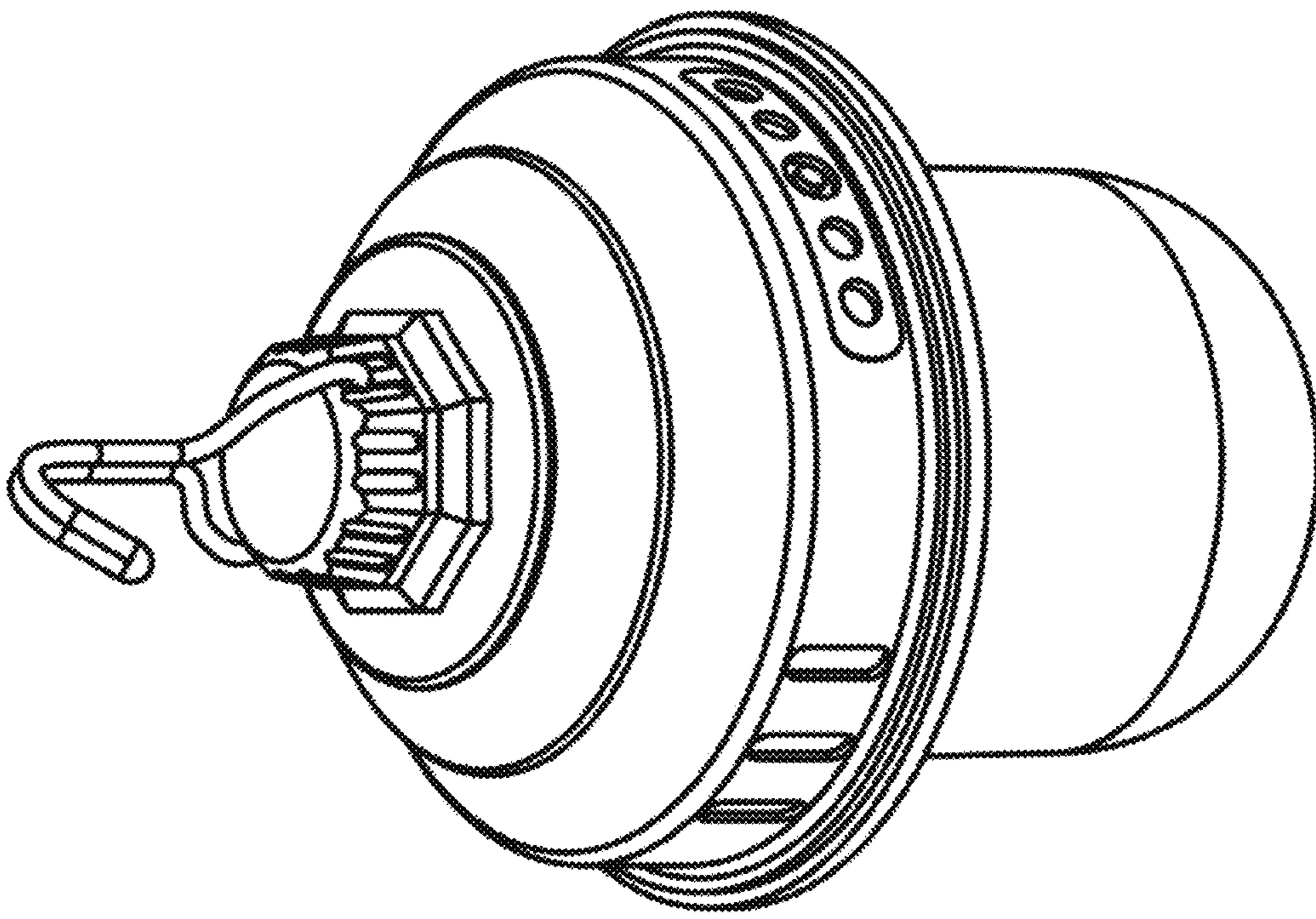


FIG. 7