



US00D907264S

(12) **United States Design Patent**
Lin

(10) **Patent No.:** **US D907,264 S**
(45) **Date of Patent:** **** Jan. 5, 2021**

- (54) **AUTOMOBILE HEADLIGHT**
- (71) Applicant: **Chi-Chung Lin**, Hsinchu (TW)
- (72) Inventor: **Chi-Chung Lin**, Hsinchu (TW)
- (**) Term: **15 Years**
- (21) Appl. No.: **29/717,043**
- (22) Filed: **Dec. 13, 2019**
- (51) **LOC (13) Cl.** **26-06**
- (52) **U.S. Cl.**
USPC **D26/28**
- (58) **Field of Classification Search**
USPC D26/28-36, 139
CPC F21S 48/00; F21S 48/10; F21S 48/115;
F21S 48/225; F21S 48/1233; F21S
48/1266; F21S 48/1388; F21S 48/2268;
F21V 21/04; F21V 29/004; B60Q 9/13;
B60Q 9/135; B60Q 9/1375; F21W
2107/13; F21W 2104/00; F21W 2103/55;
F21W 2103/00
See application file for complete search history.

- D743,070 S * 11/2015 Lai D26/28
- D745,712 S * 12/2015 O'Donnell D26/28
- D747,819 S 1/2016 Thole et al.
- D761,462 S * 7/2016 Lai D26/28
- D771,291 S * 11/2016 Tsai D26/28
- D794,232 S * 8/2017 Lai D26/28
- D807,547 S * 1/2018 Lin D26/28

* cited by examiner

Primary Examiner — Marcus A Jackson

(74) *Attorney, Agent, or Firm* — Alexander Chen, Esq.

(57) **CLAIM**

The ornamental design for an automobile headlight, as shown and described.

DESCRIPTION

FIG. 1 is a perspective view of an automobile headlight; FIG. 2 is a front view thereof; and, FIG. 3 is a side view thereof.

The broken lines are included to show environmental structure and form no part of the claimed design.

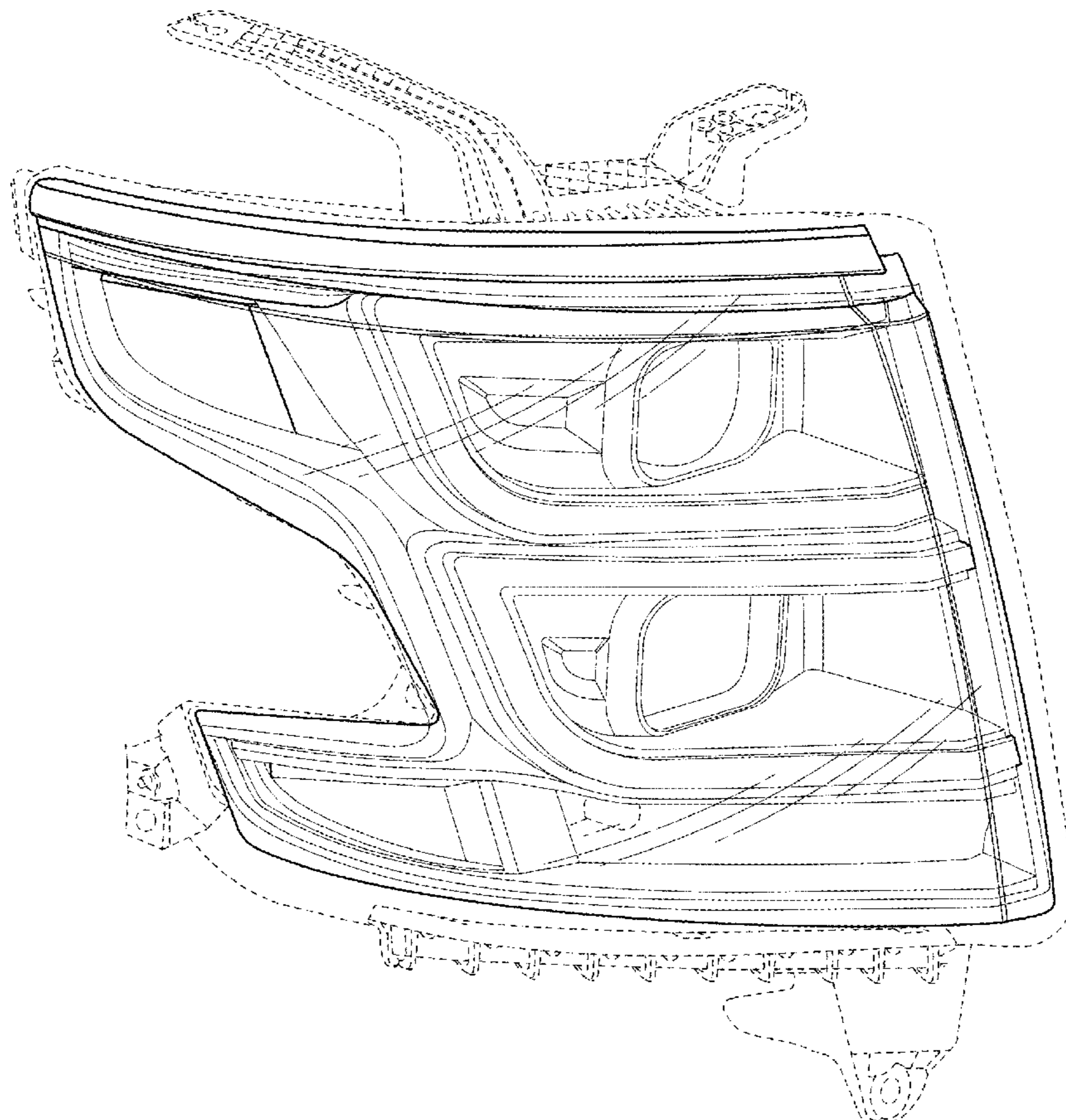
The design envisioned contains a second portion whose image is mirror symmetrical to the one shown.

(56) **References Cited**

U.S. PATENT DOCUMENTS

- D690,041 S * 9/2013 Lai D26/28
- D717,479 S * 11/2014 Sievers D26/31

1 Claim, 3 Drawing Sheets



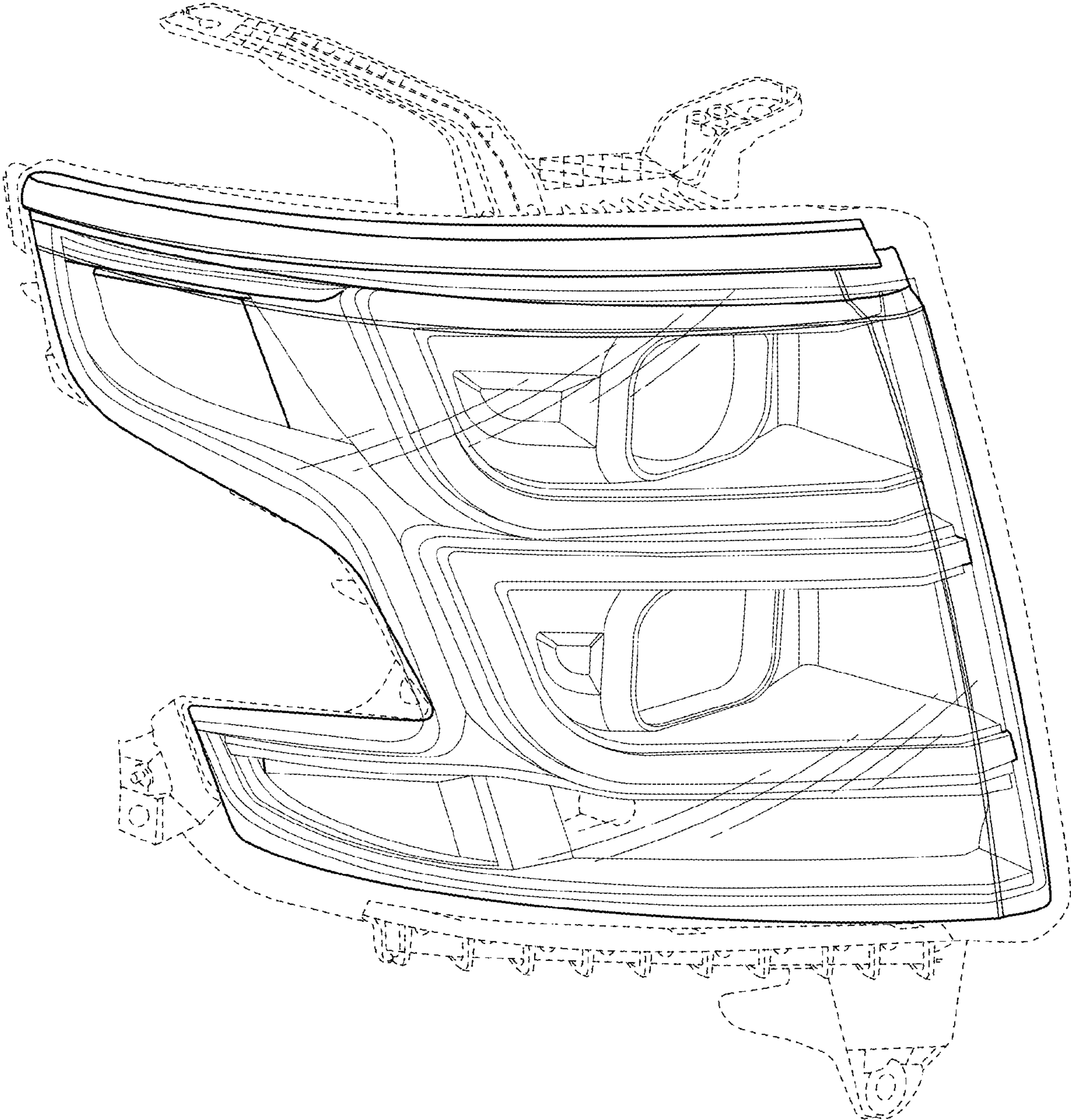


FIG. 1

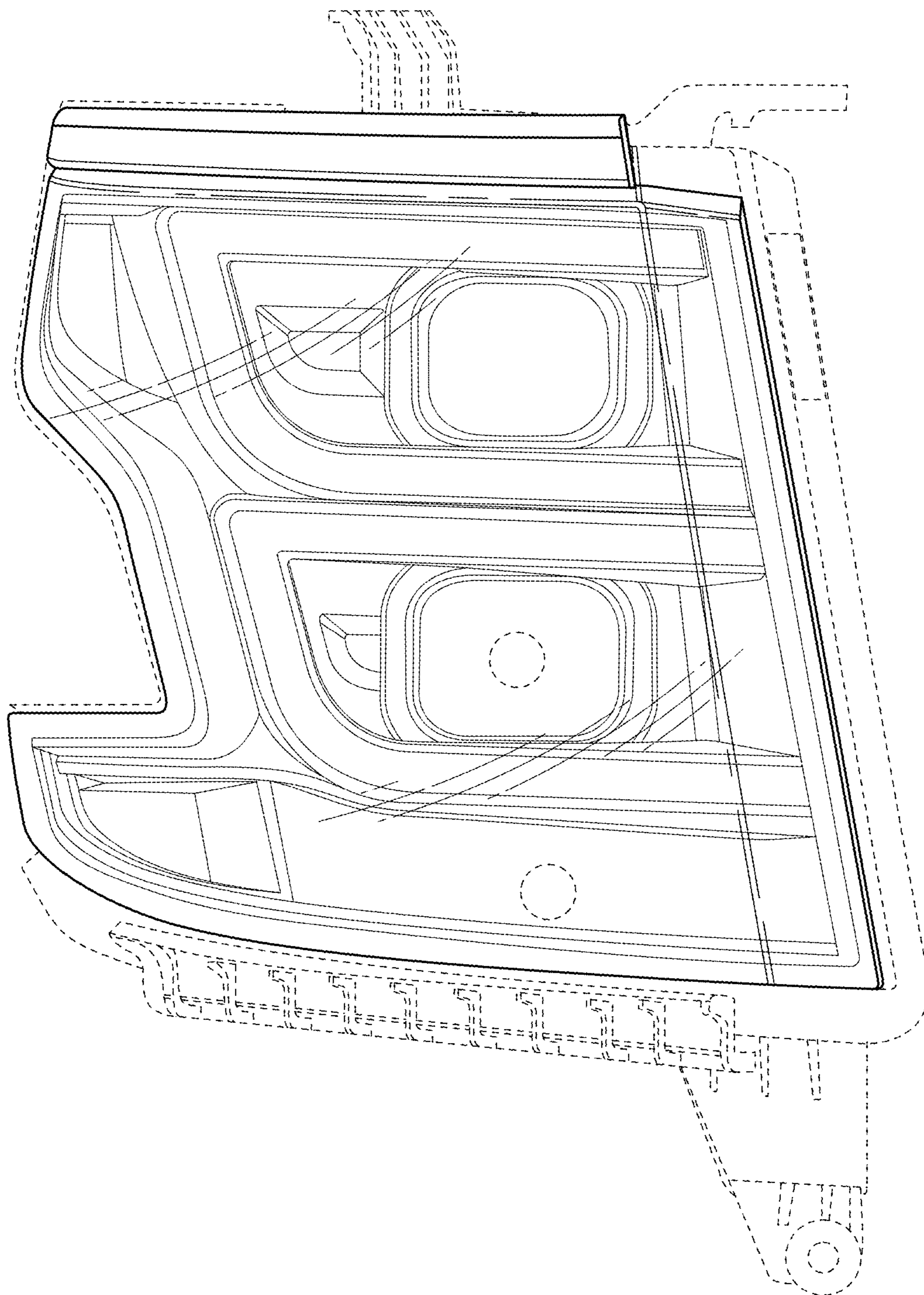


FIG. 2

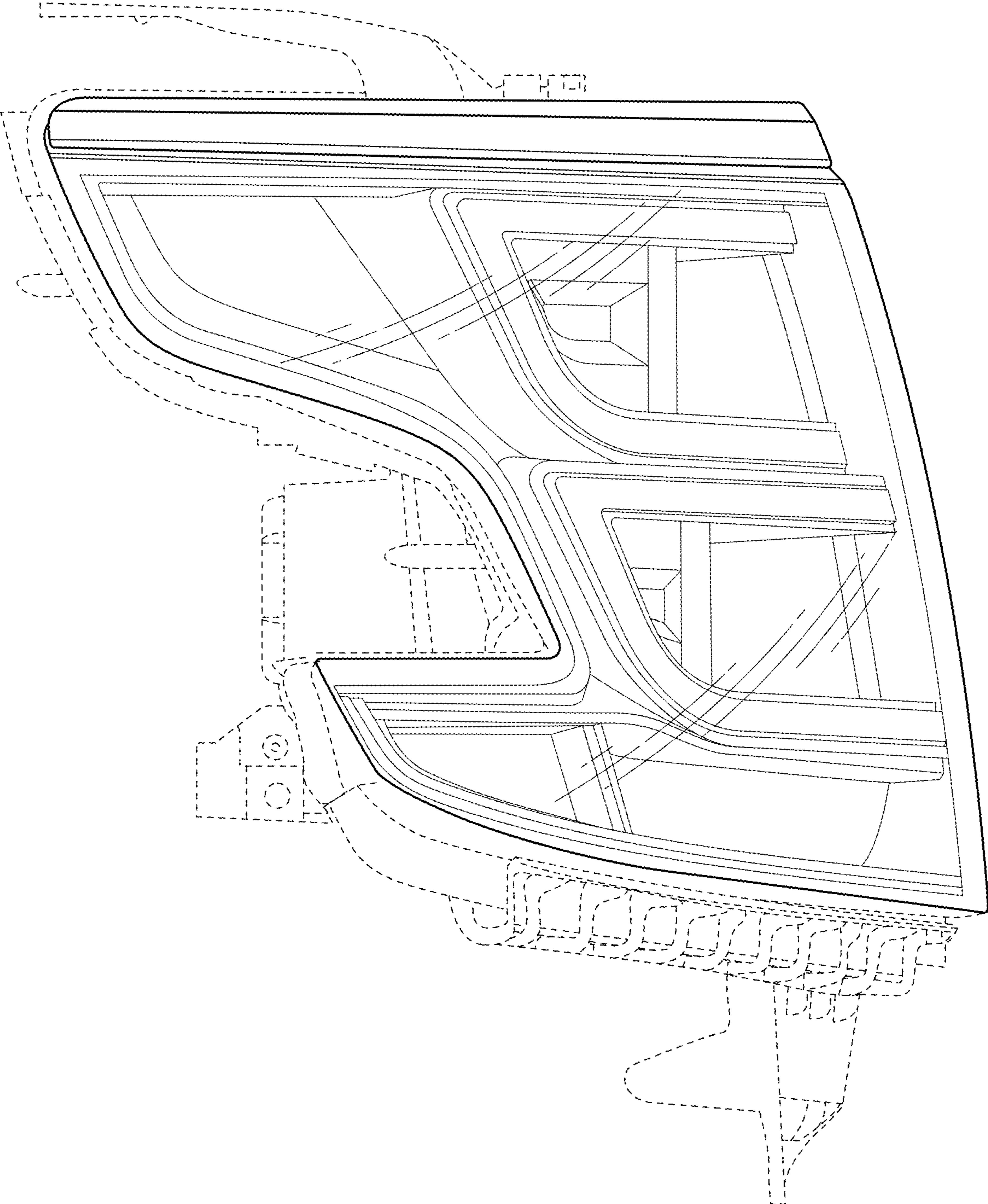


FIG. 3