



US00D907259S

(12) **United States Design Patent**
Yu

(10) **Patent No.:** **US D907,259 S**
(45) **Date of Patent:** **** Jan. 5, 2021**

(54) **LIGHT BULB**

D600,368 S * 9/2009 Bertram D26/2
D669,610 S * 10/2012 Yamamoto D26/2
D671,235 S * 11/2012 Yamamoto D26/2

(71) Applicant: **Chengjia Yu**, Shenzhen (CN)

(72) Inventor: **Chengjia Yu**, Shenzhen (CN)

* cited by examiner

(**) Term: **15 Years**

Primary Examiner — Marcus A Jackson

(21) Appl. No.: **29/714,543**

(22) Filed: **Nov. 25, 2019**

(51) **LOC (13) Cl.** **26-04**

(52) **U.S. Cl.**
USPC **D26/2**

(58) **Field of Classification Search**
USPC D26/1-10
CPC H01R 5/00; H01R 13/46; H01R 13/514;
H01R 31/048; H01R 31/02; H01J 5/00;
H01J 5/16; H01J 1/02; H01J 15/00; H01J
5/48; H01J 5/50; H01J 19/54; F21V 5/00;
F21K 9/00; F21K 13/00
See application file for complete search history.

(57) **CLAIM**

The ornamental design for a light bulb, as shown.

DESCRIPTION

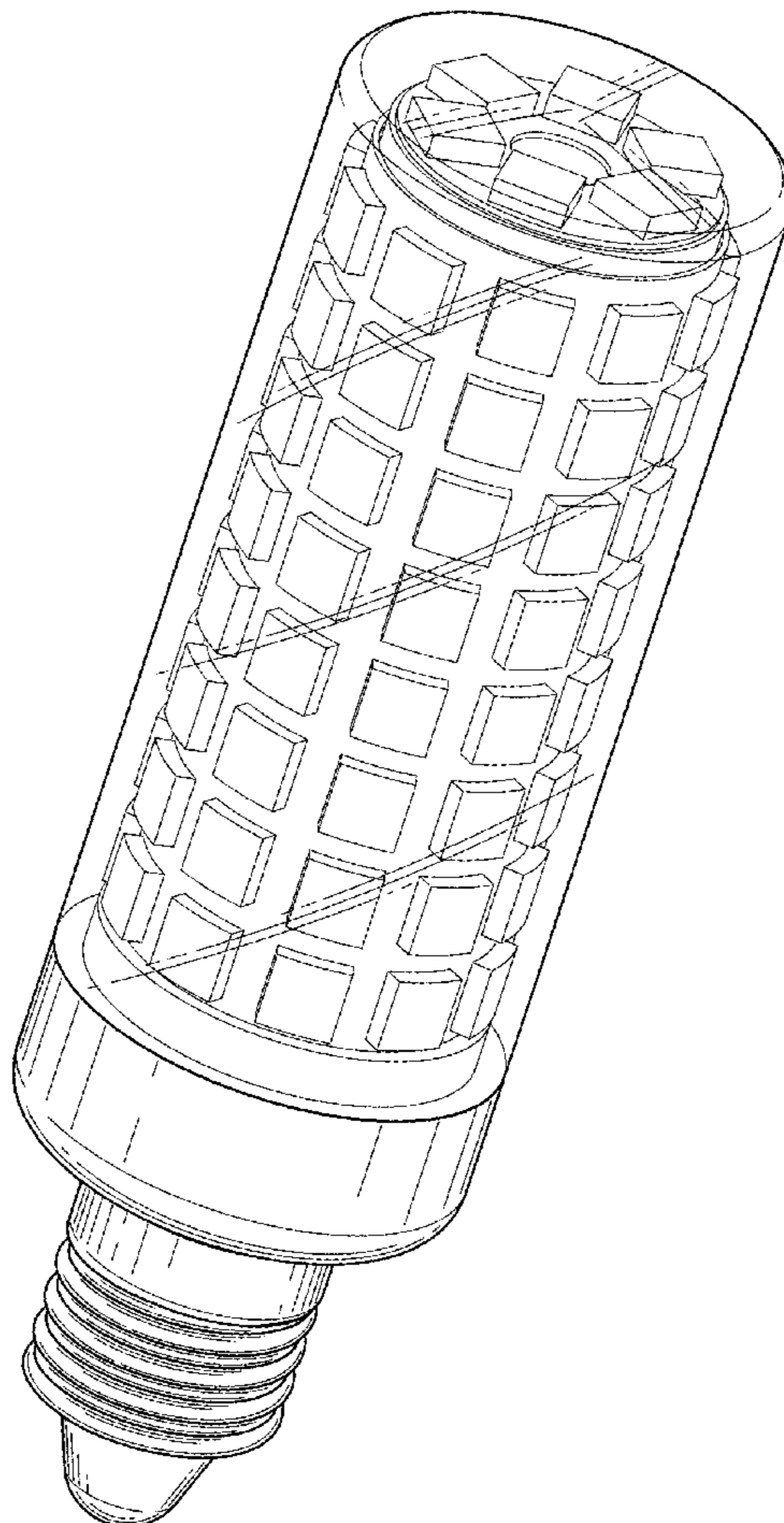
FIG. 1 is a front elevational view of a light bulb showing my new design;
FIG. 2 is a rear elevational view thereof;
FIG. 3 is a left side view thereof;
FIG. 4 is a right side view thereof;
FIG. 5 is a top plan view thereof;
FIG. 6 is a bottom plan view thereof; and,
FIG. 7 is a perspective view thereof.

(56) **References Cited**

U.S. PATENT DOCUMENTS

D543,288 S * 5/2007 Bembridge D26/2
D579,130 S * 10/2008 Hernandez, Jr. D26/2

1 Claim, 7 Drawing Sheets



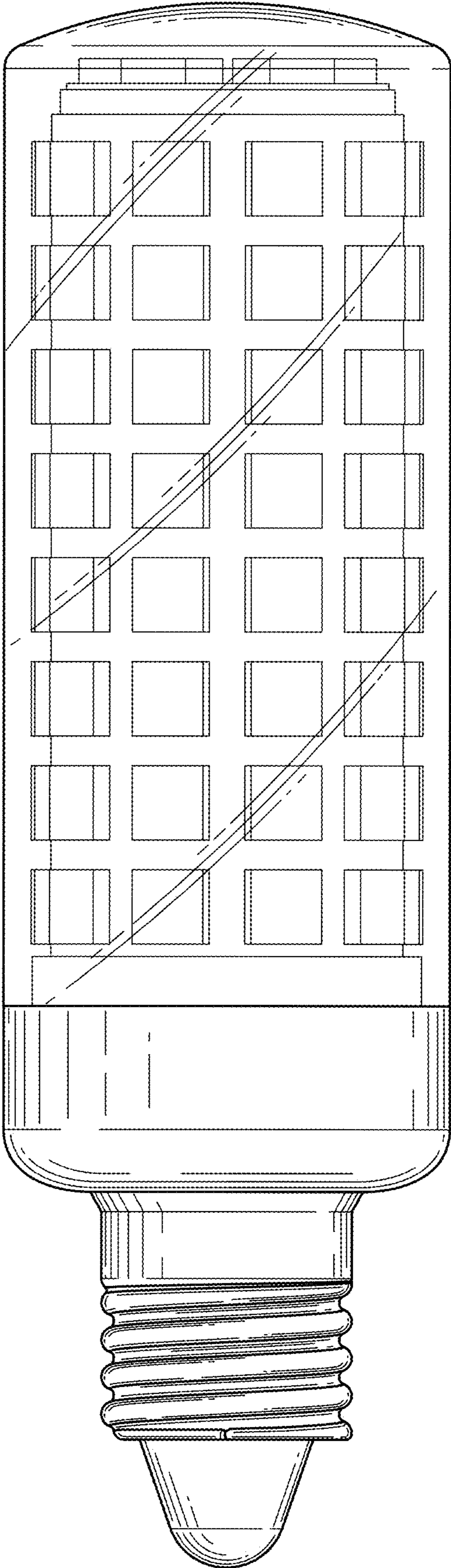


FIG. 1

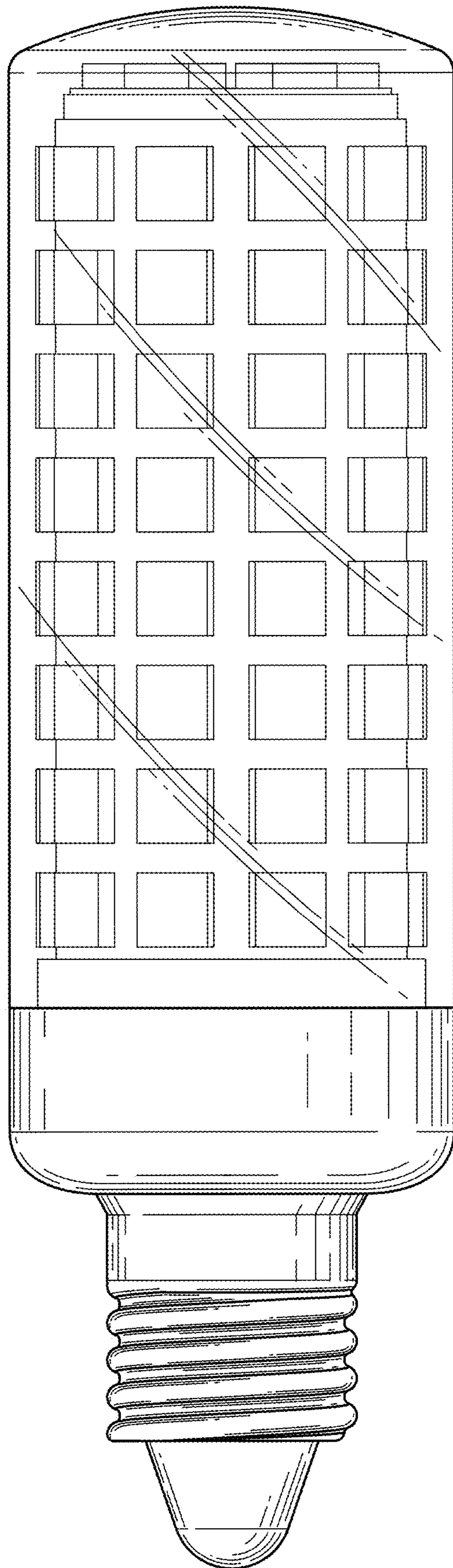


FIG. 2

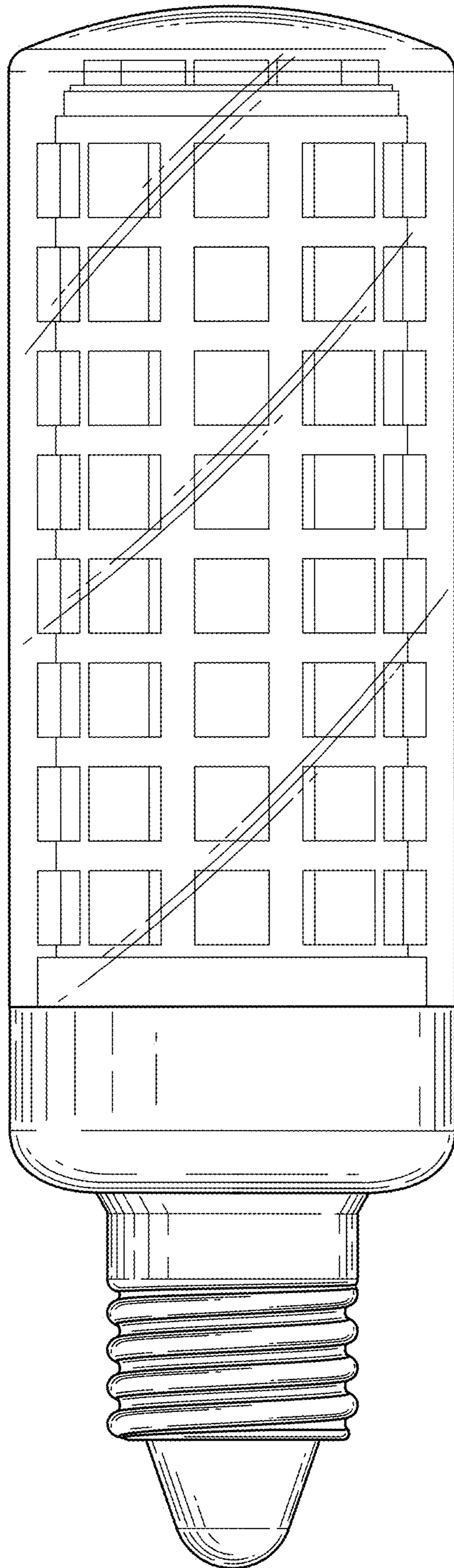


FIG. 3

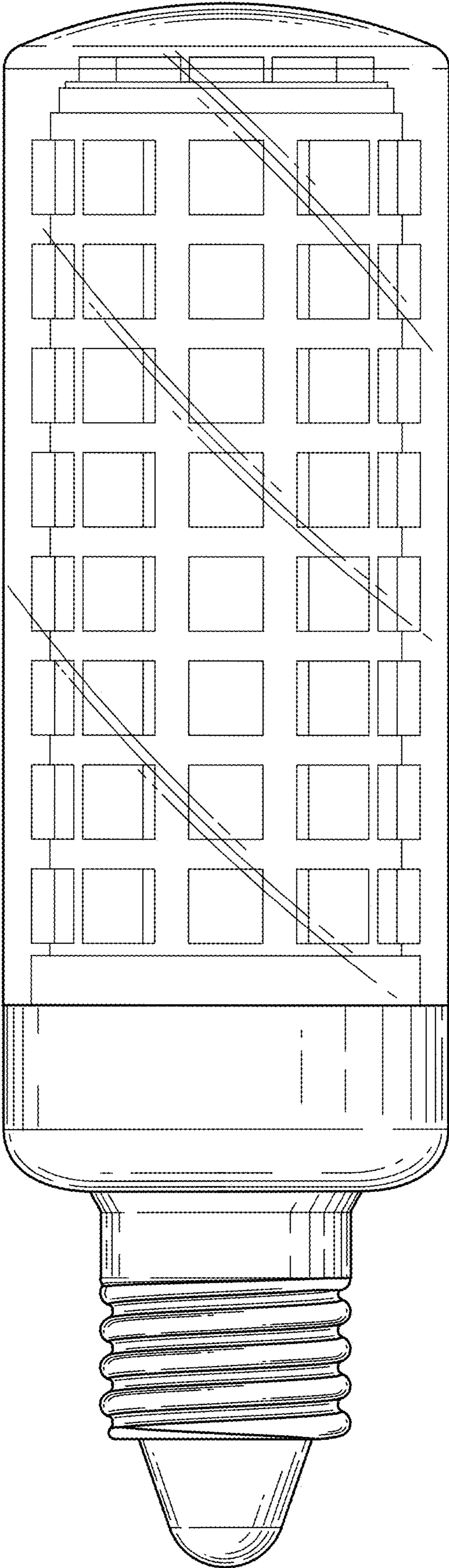


FIG. 4

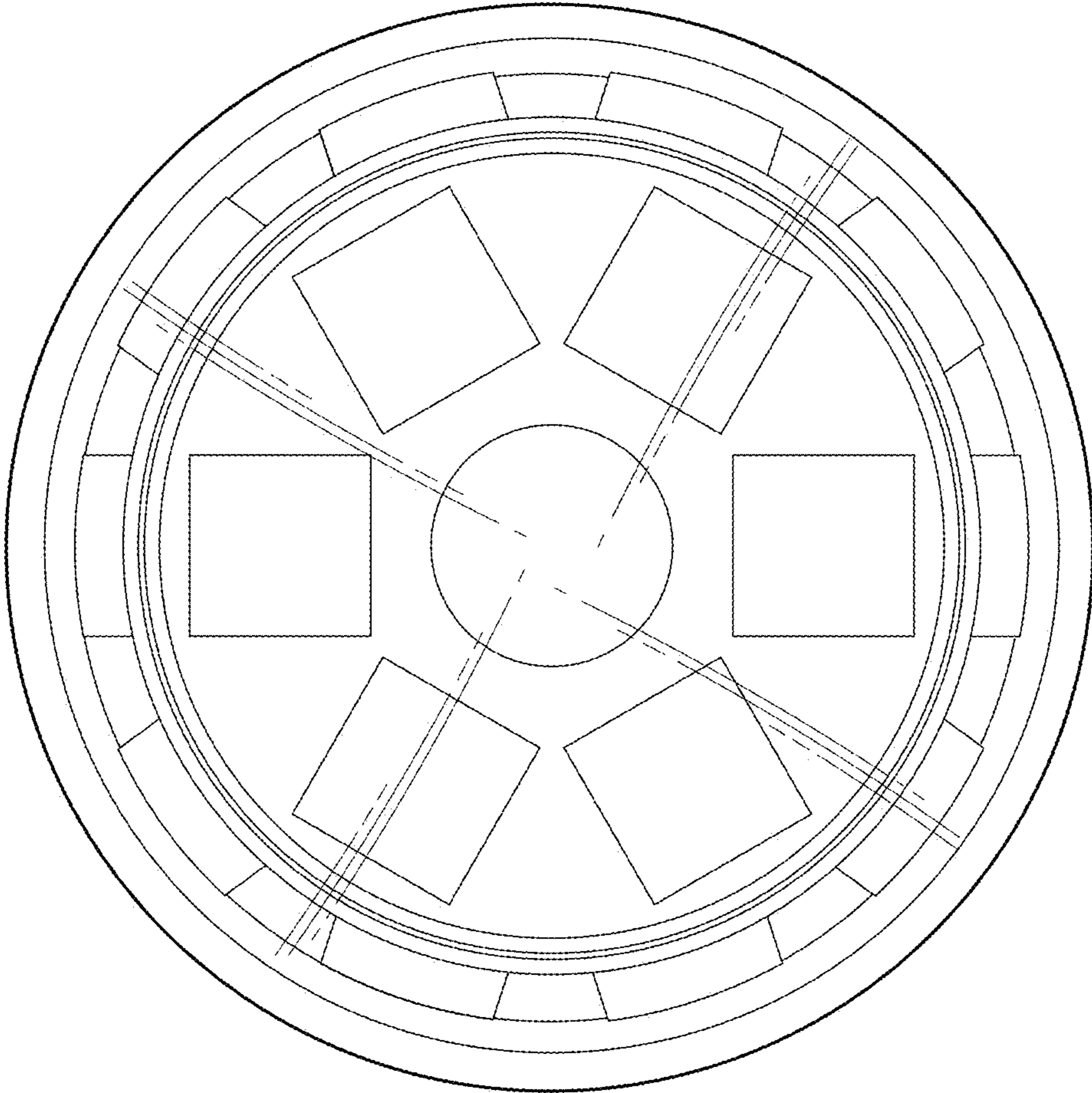


FIG. 5

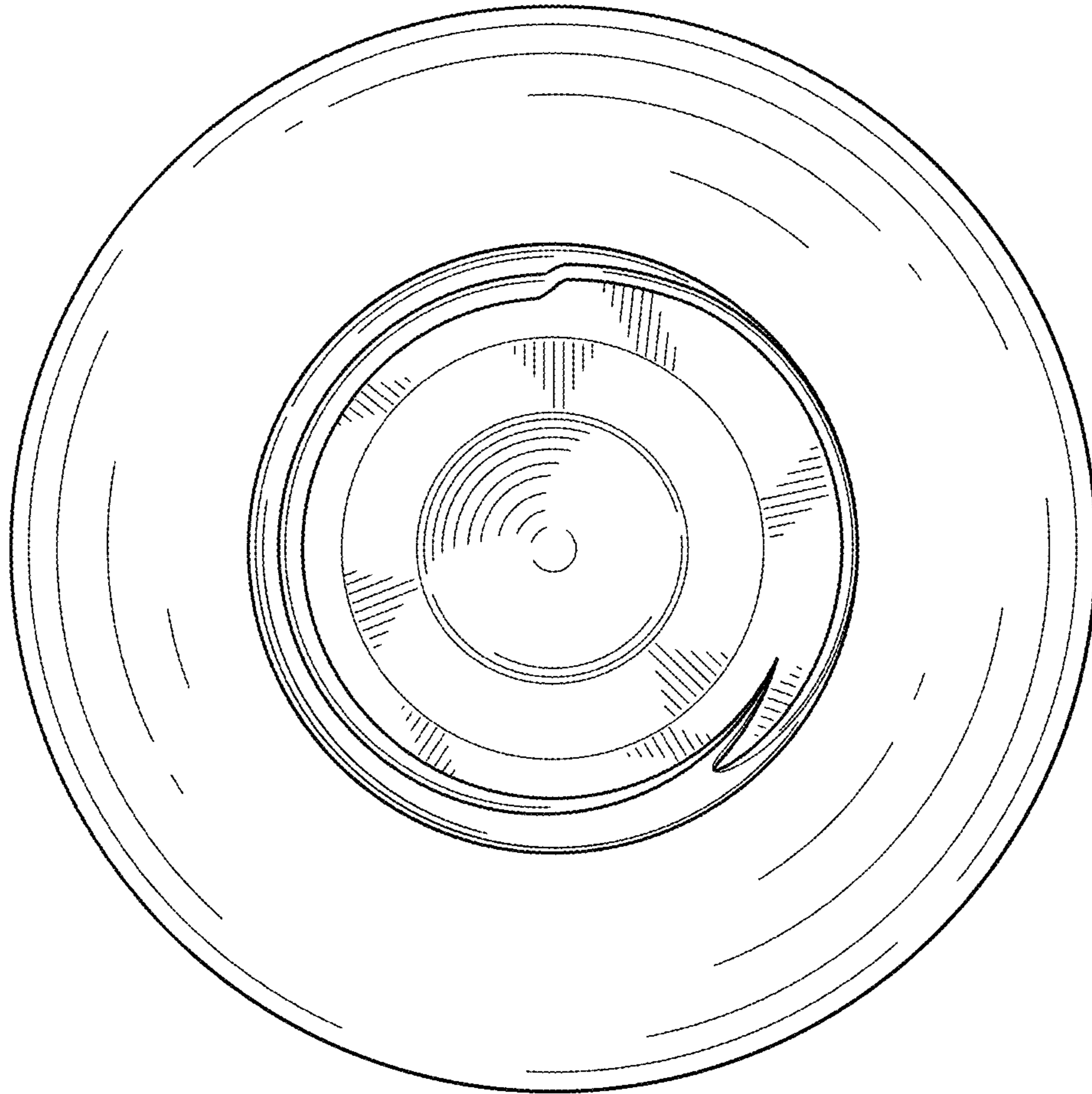


FIG. 6

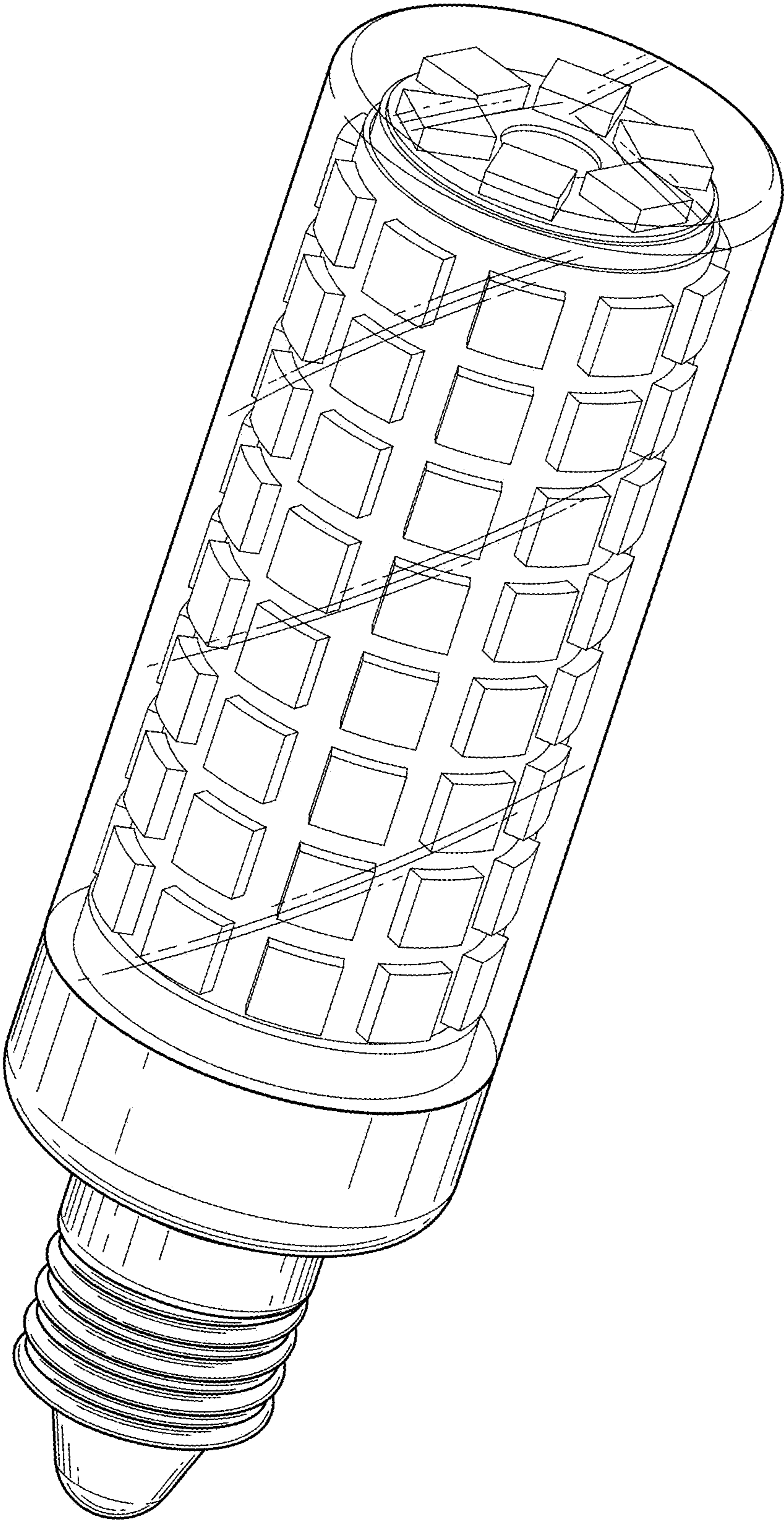


FIG. 7