



US00D907254S

(12) **United States Design Patent** (10) **Patent No.:** **US D907,254 S**
Barnds et al. (45) **Date of Patent:** **** Jan. 5, 2021**

(54) **POLYMER-BASED FLOORING**
(71) Applicant: **CPG International LLC**, Scranton, PA (US)
(72) Inventors: **Patrick Michael Barnds**, Birmingham, MI (US); **Jason Andrew Davoll**, Chicago, IL (US)
(73) Assignee: **CPG International LLC**, Scranton, PA (US)
(**) Term: **15 Years**
(21) Appl. No.: **29/679,751**
(22) Filed: **Feb. 8, 2019**
(51) **LOC (13) Cl.** **25-01**
(52) **U.S. Cl.**
USPC **D25/138**
(58) **Field of Classification Search**
USPC D25/138
CPC E04F 15/02044; E04F 15/02194; E04F 15/022; E04F 15/02405; E04F 15/02417; E04F 15/04; E04F 15/045; E04F 15/046; E04F 15/048; E04F 15/06; E04F 15/12
See application file for complete search history.

8,800,245 B1 * 8/2014 Pien B32B 3/30
52/747.11
D715,460 S * 10/2014 Smith D25/138
D751,223 S * 3/2016 Muxlow D25/138
D802,169 S * 11/2017 Lee D25/138
9,944,050 B2 * 4/2018 Kanao B32B 9/04
10,035,358 B2 * 7/2018 Pervan B41J 3/407
10,174,509 B2 * 1/2019 Hayes B32B 5/028
10,214,914 B2 * 2/2019 Bachelder E04F 15/02161
D857,251 S * 8/2019 Mussini D25/160

* cited by examiner

Primary Examiner — Doris Clark
(74) *Attorney, Agent, or Firm* — Shook, Hardy & Bacon L.L.P.

(57) **CLAIM**

The ornamental design for a polymer-based flooring, as shown and described.

DESCRIPTION

FIG. 1 is a perspective view of a polymer-based flooring showing our design;
FIG. 2 is a top view thereof;
FIG. 3 is a bottom view thereof;
FIG. 4 is a first side view thereof;
FIG. 5 is a second side view thereof;
FIG. 6 is a cross section view taken along lines 6-6 of FIG. 2;
FIG. 7 is a front view thereof; and,
FIG. 8 is a back view thereof.

The even-length broken lines are directed to environment, represent unclaimed subject matter, and form no part of the claimed design.

The long-and-short broken lines form an unclaimed boundary, and form no part of the claim.

1 Claim, 5 Drawing Sheets

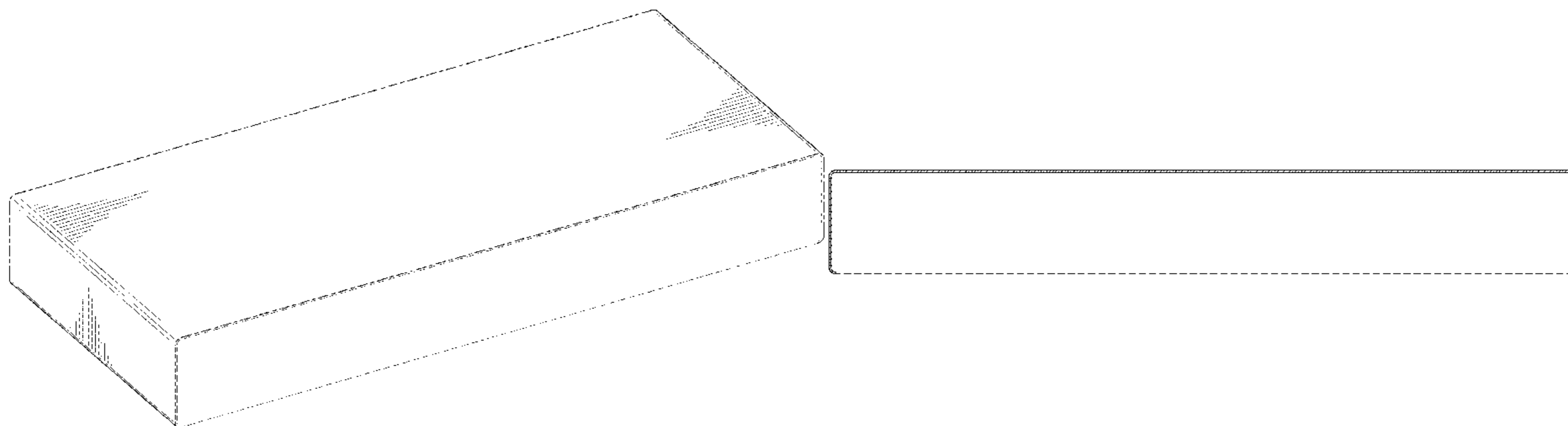




FIG. 1

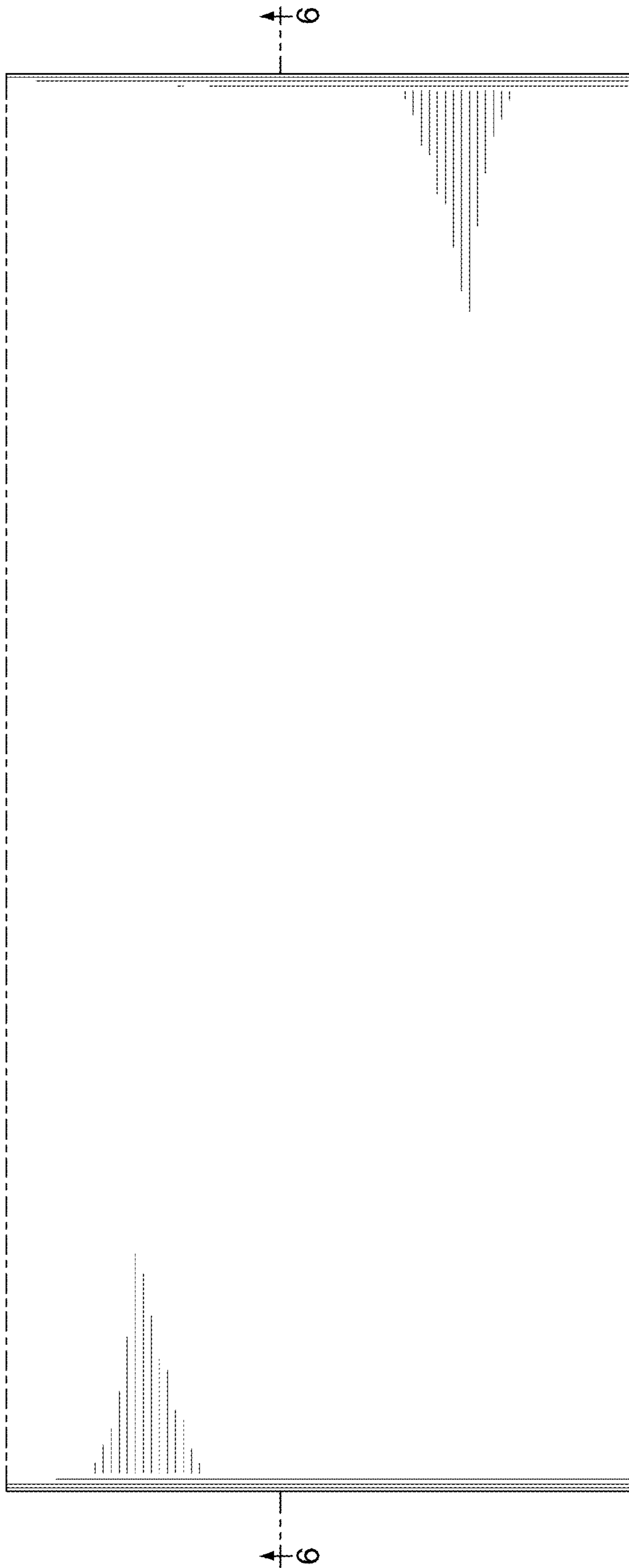


FIG. 2

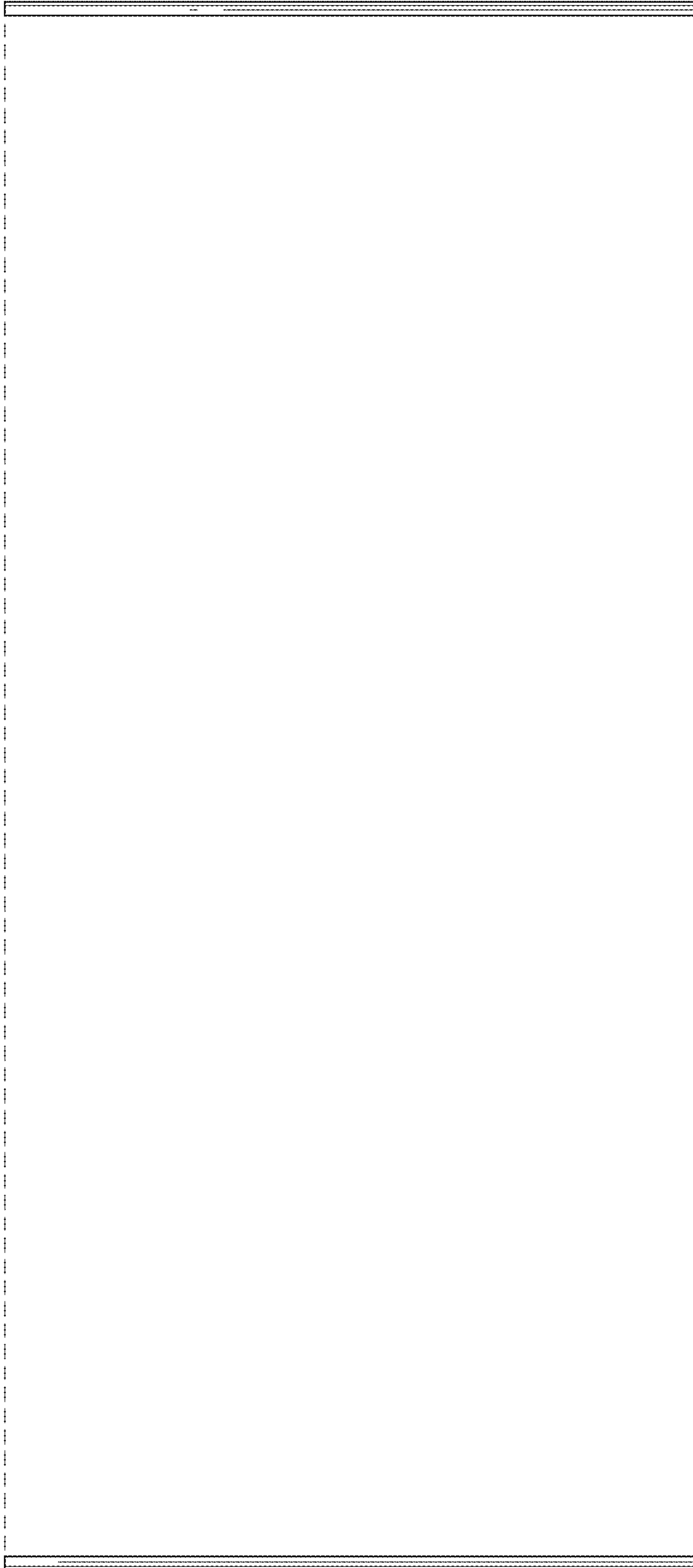


FIG. 3

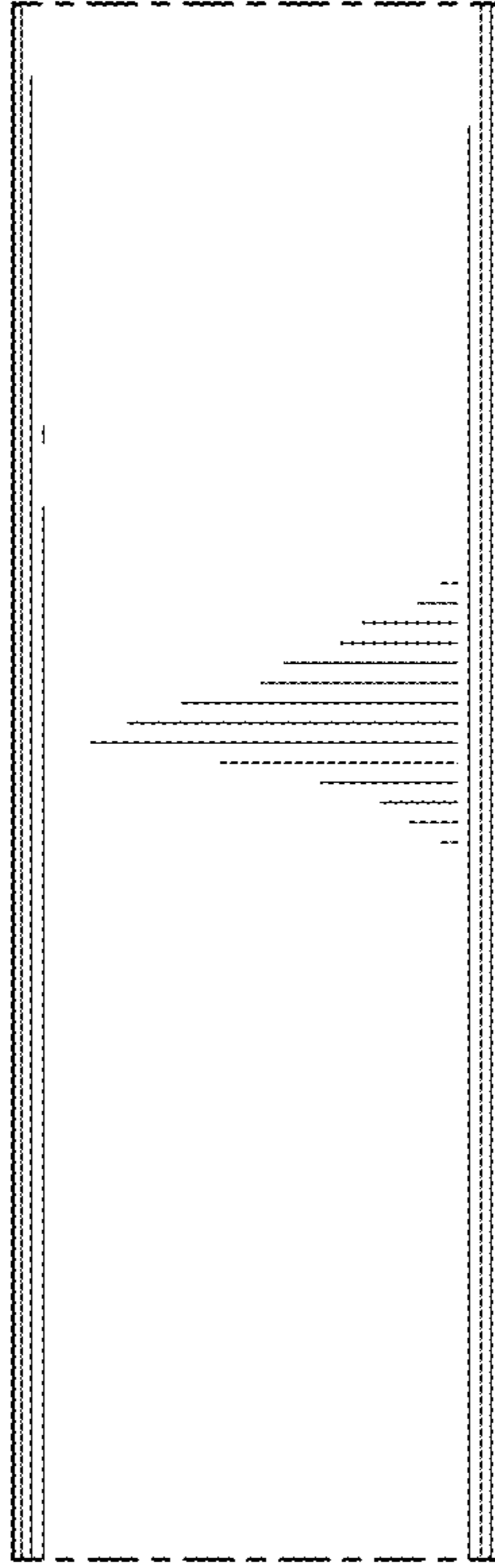


FIG. 4

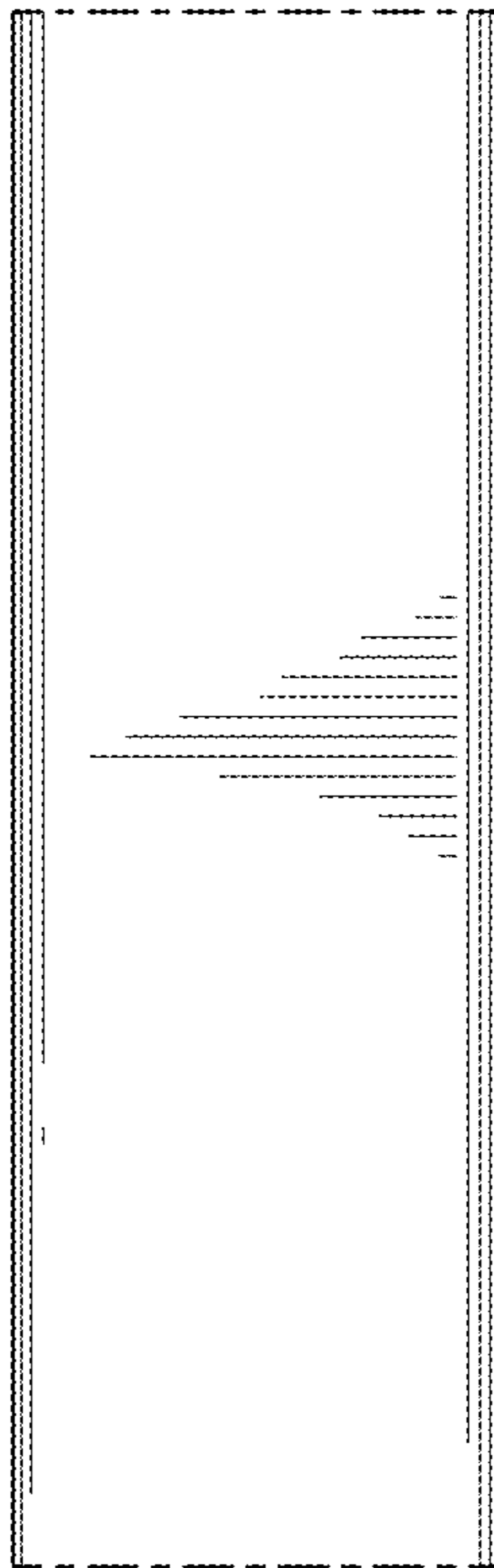


FIG. 5

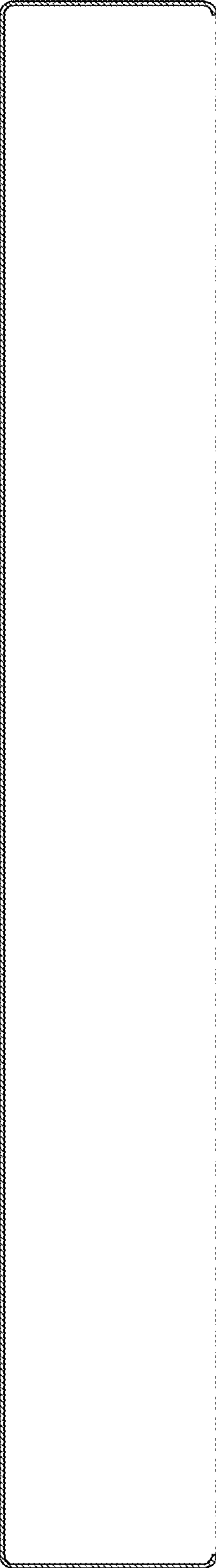


FIG. 6



FIG. 7



FIG. 8