



US00D907253S

(12) **United States Design Patent** (10) **Patent No.:** **US D907,253 S**
Hilmerson (45) **Date of Patent:** **** Jan. 5, 2021**

(54) **RAIL SUPPORT PLATE**
(71) Applicant: **Debra Lee Hilmerson**, Savage, MN (US)
(72) Inventor: **Debra Lee Hilmerson**, Savage, MN (US)
(**) Term: **15 Years**

(21) Appl. No.: **29/640,861**
(22) Filed: **Mar. 16, 2018**
(51) **LOC (13) Cl.** **25-01**
(52) **U.S. Cl.**
USPC **D25/133**
(58) **Field of Classification Search**
USPC D25/125, 126, 127, 128, 129, 130, 131, D25/132, 133, 134, 135, 136, 38.1, 46, D25/48, 35, 11; D8/349, 354, 373, 387, D8/388, 380, 381, 400, 402, 409, 355, D8/356, 363; 52/709-711, 169.8, 296
CPC E02D 5/223; E02D 5/526; E02D 7/02; E04C 5/125; E04H 2017/006; E04H 12/2261; E04F 11/181; E04F 11/1812; E04F 11/848; E04D 13/00; F16B 9/026
See application file for complete search history.

(56) **References Cited**
U.S. PATENT DOCUMENTS
4,021,128 A * 5/1977 Chiames A47B 87/0223 403/217
D651,324 S * 12/2011 You D25/133
D705,645 S * 5/2014 Bakos D8/380
D726,342 S * 4/2015 Rodriguez D25/133
D739,563 S * 9/2015 Whiteley D25/133
D754,880 S * 4/2016 Reusing D25/133
D810,965 S * 2/2018 Whiteley D25/133
D834,219 S * 11/2018 Pilja D25/133
D845,750 S * 4/2019 Denby D8/381
D856,839 S * 8/2019 Siminoff D10/121

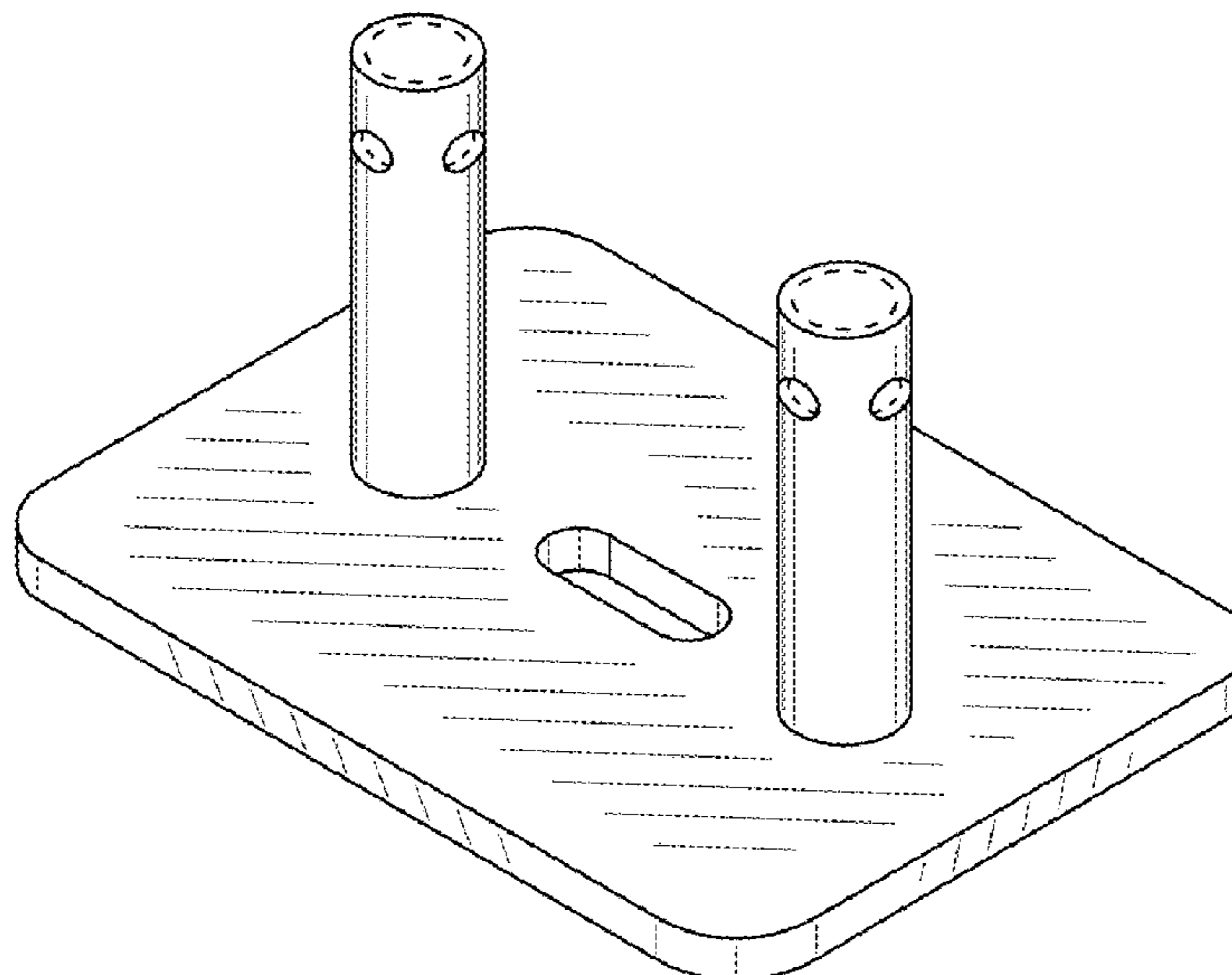
10,385,563 B2 * 8/2019 Albartus E04B 1/4107
D858,801 S * 9/2019 Charette D25/133
10,422,150 B2 * 9/2019 Roy E02D 27/42
D867,106 S * 11/2019 Blattel D8/349
D867,121 S * 11/2019 Zalme D8/394
10,501,939 B2 * 12/2019 Nill F16B 9/02
D874,965 S * 2/2020 Siminoff D10/121
2006/0123726 A1 * 6/2006 Azarin E04B 1/4107 52/334

* cited by examiner
Primary Examiner — Samantha Q Lawrence
(74) *Attorney, Agent, or Firm* — Fantastic IP Consulting; Eduardo E. Drake

(57) **CLAIM**
The ornamental design for a rail support plate, as shown and described.

DESCRIPTION
A portion of this document contains material subject to copyright protection. The copyright owner has no objection to the facsimile reproduction by anyone of the patent document or the patent disclosure, as it appears in the Patent and Trademark Office patent files or records, but otherwise reserves all copyrights whatsoever. The following notice applies to this document: Copyright © 2016, Hilmerson Safety Services, Inc.
FIG. 1 is a perspective view illustrating a rail support plate; FIG. 2 is a top view thereof; FIG. 3 is a front view thereof, the back view being a mirror image thereof; and, FIG. 4 is a left side view thereof, the right side being a mirror image thereof.
The broken lines shown in FIGS. 1 and 2 illustrate the bounds of the claim and form no part of the claimed design. Broken line boundary areas of the rail support plate also form not part of the claimed design. The shade lines in the drawings show contour and not surface ornamentation.

1 Claim, 1 Drawing Sheet



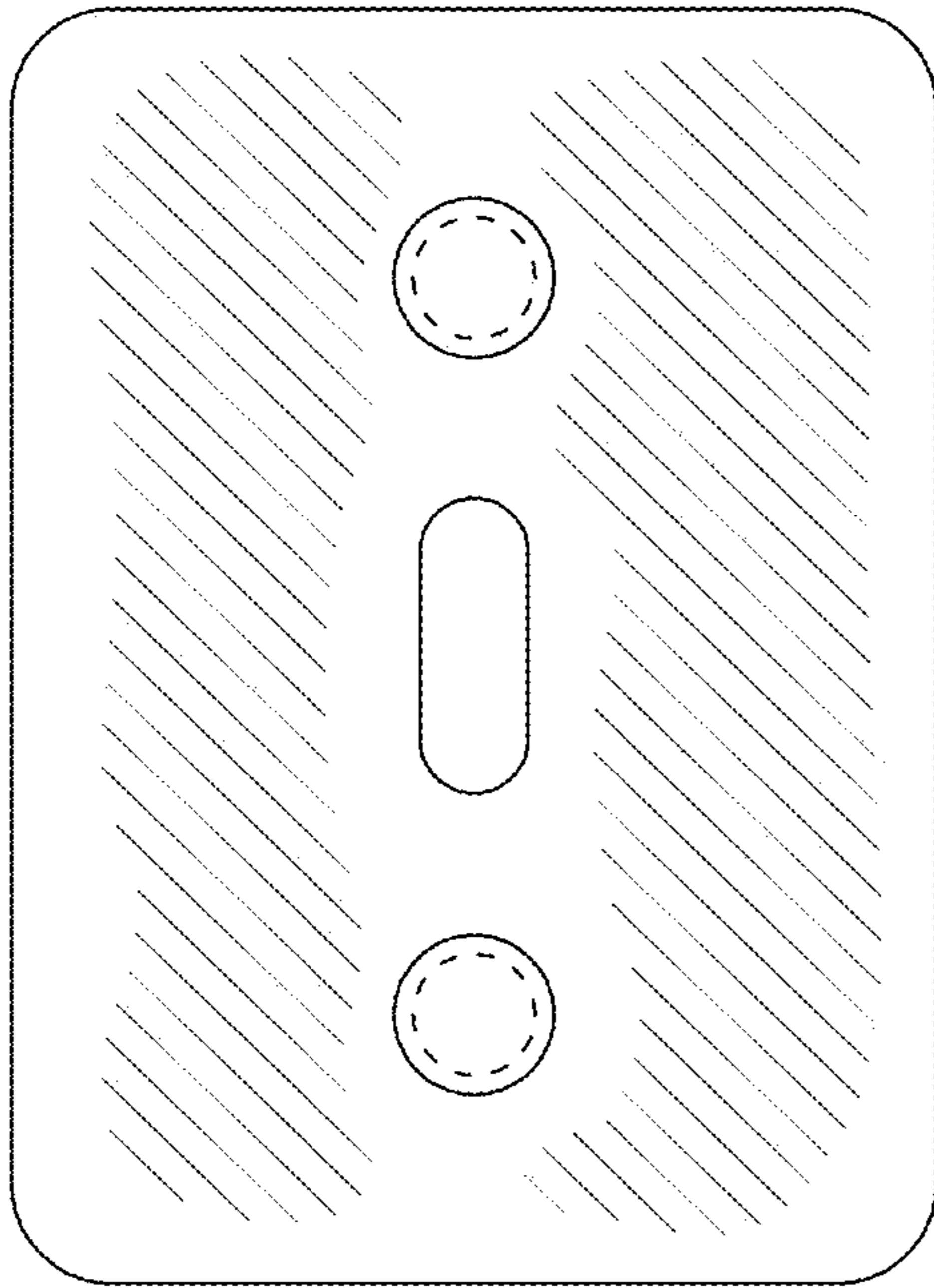


Fig. 2

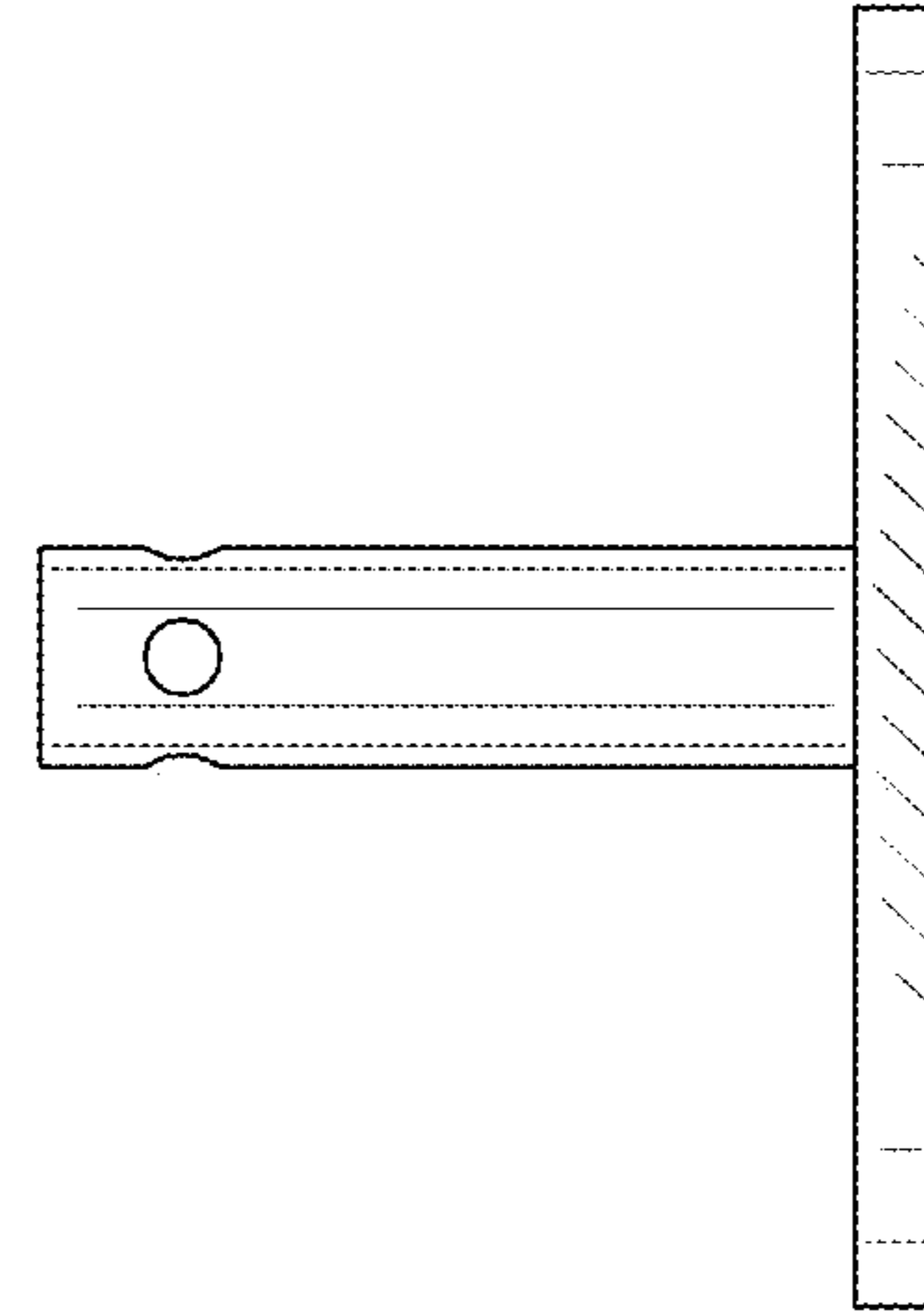


Fig. 4

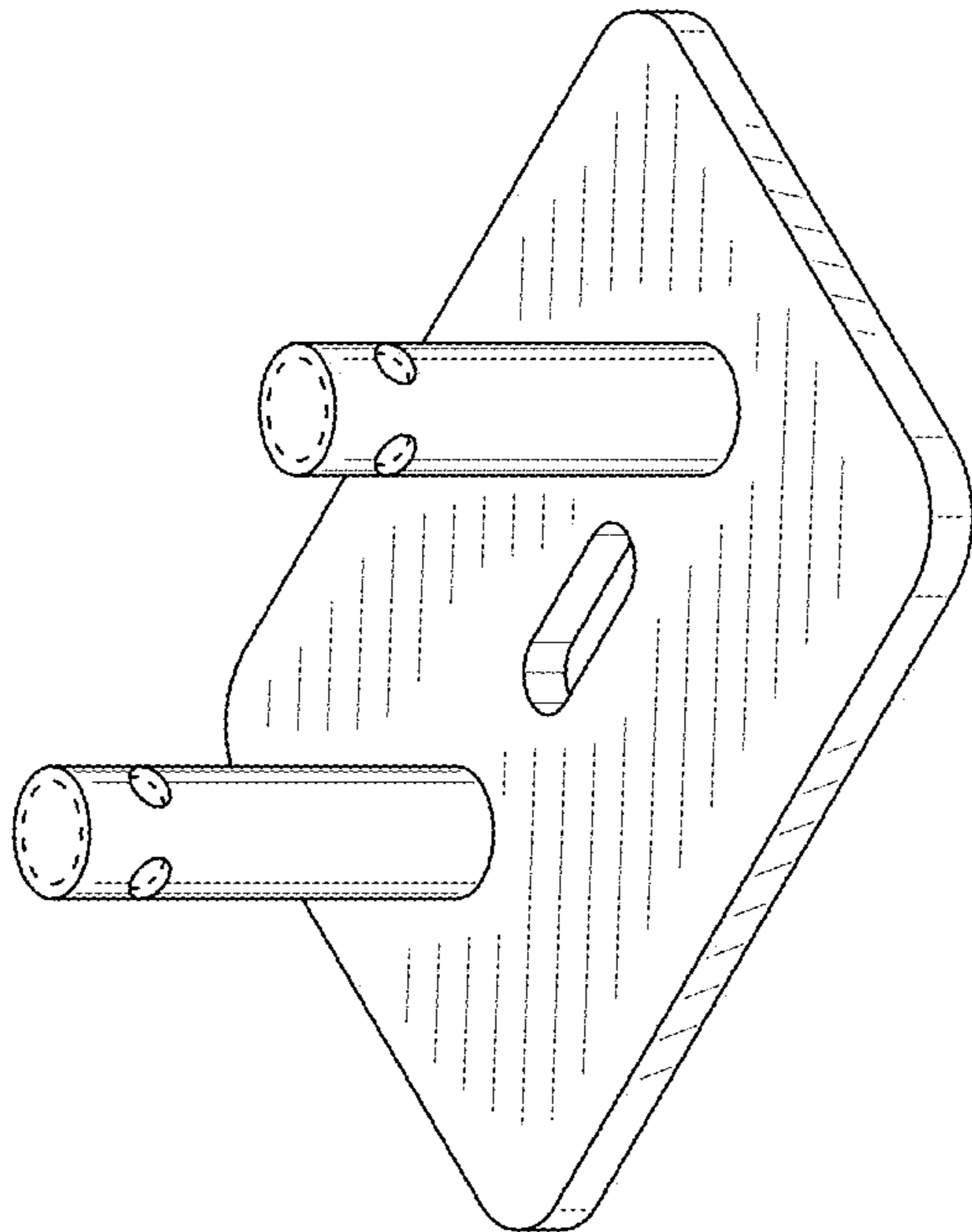


Fig. 1

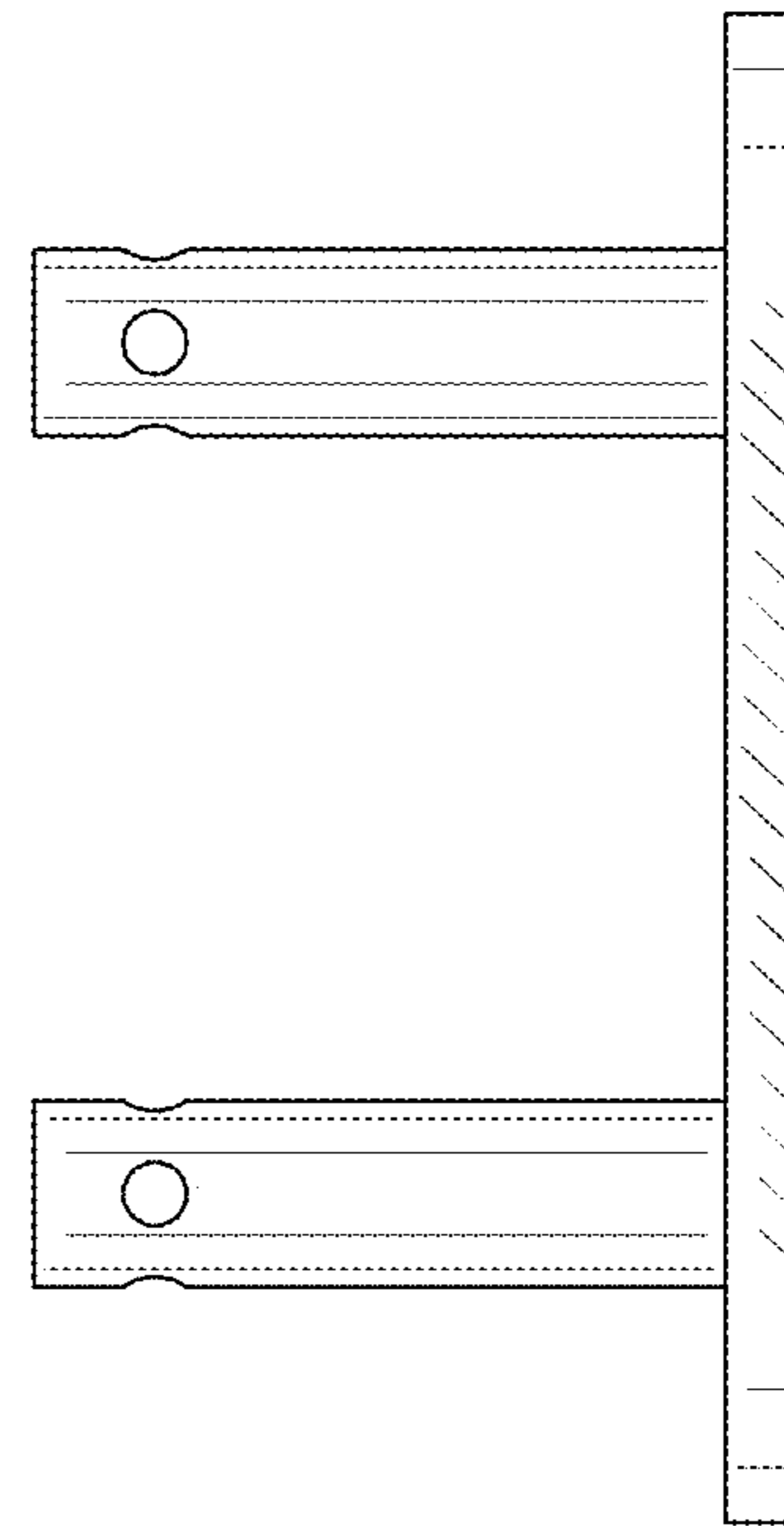


Fig. 3