



US00D907252S

(12) **United States Design Patent** (10) **Patent No.:** **US D907,252 S**  
**Hawthorne et al.** (45) **Date of Patent:** **\*\* Jan. 5, 2021**

(54) **FIXED MAIN FRAME**

(71) Applicants: **Kyle S. Hawthorne**, Waldo, ME (US);  
**John C. Magri, Jr.**, Stockton Springs,  
ME (US); **William M. Gray**, Stockton  
Springs, ME (US); **Ralph J.**  
**McDermott, Jr.**, Lincolnville, ME  
(US); **Ryan H. Hamden**, Belfast, ME  
(US)

(72) Inventors: **Kyle S. Hawthorne**, Waldo, ME (US);  
**John C. Magri, Jr.**, Stockton Springs,  
ME (US); **William M. Gray**, Stockton  
Springs, ME (US); **Ralph J.**  
**McDermott, Jr.**, Lincolnville, ME  
(US); **Ryan H. Hamden**, Belfast, ME  
(US)

(73) Assignee: **Mathews Brothers Company**, Belfast,  
ME (US)

(\*\*) Term: **15 Years**

(21) Appl. No.: **29/715,571**

(22) Filed: **Dec. 3, 2019**

(51) **LOC (13) Cl.** ..... **25-01**

(52) **U.S. Cl.**  
USPC ..... **D25/124; D25/60**

(58) **Field of Classification Search**  
USPC ..... D25/119–125, 60, 61; D8/349  
CPC ..... E06B 1/02; E06B 1/04; E06B 1/12; E06B  
1/26; E06B 1/28; E06B 1/36; E06B 1/52;  
E06B 1/205; E06B 1/70; E06B 1/702;  
E06B 2001/707

See application file for complete search history.

(56) **References Cited**

U.S. PATENT DOCUMENTS

D436,406 S *	1/2001	Ballard	.....	D25/124
D436,407 S *	1/2001	Morton	.....	D25/124
D443,076 S *	5/2001	Fannan	.....	D25/124
D456,086 S *	4/2002	Habeck	.....	D25/124
D499,817 S *	12/2004	Franson	.....	D25/124
D591,433 S *	4/2009	Campbell	.....	D25/124
D724,765 S *	3/2015	Fannan	.....	D25/124
D780,330 S *	2/2017	Marshall	.....	D25/124
D795,456 S *	8/2017	Marshall	.....	D25/124
D795,459 S *	8/2017	Marshall	.....	D25/125
D795,460 S *	8/2017	Marshall	.....	D25/125
D831,857 S *	10/2018	Marshall	.....	D25/124

\* cited by examiner

*Primary Examiner* — Llorellys Martinez

(74) *Attorney, Agent, or Firm* — Anthony D. Pellegrini

(57) **CLAIM**

The ornamental design for a fixed main frame, as shown and described.

**DESCRIPTION**

FIG. 1 is a left plan view of a fixed main frame showing our new design.

FIG. 2 is a top, rear perspective view thereof.

FIG. 3 is a top, front perspective view thereof.

FIG. 4 is a bottom, rear perspective view thereof.

FIG. 5 is a bottom, front perspective view thereof.

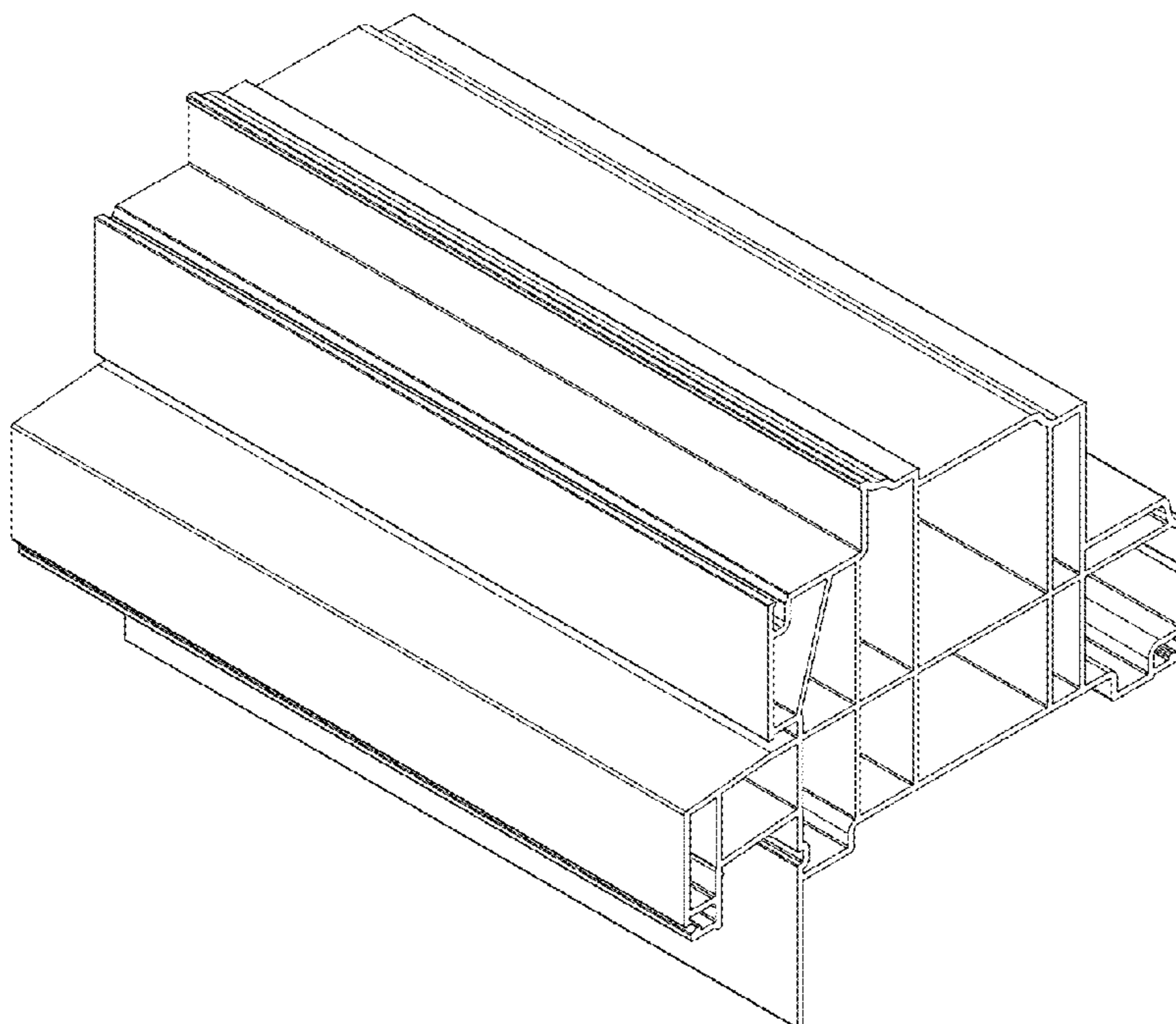
FIG. 6 is a top plan view thereof.

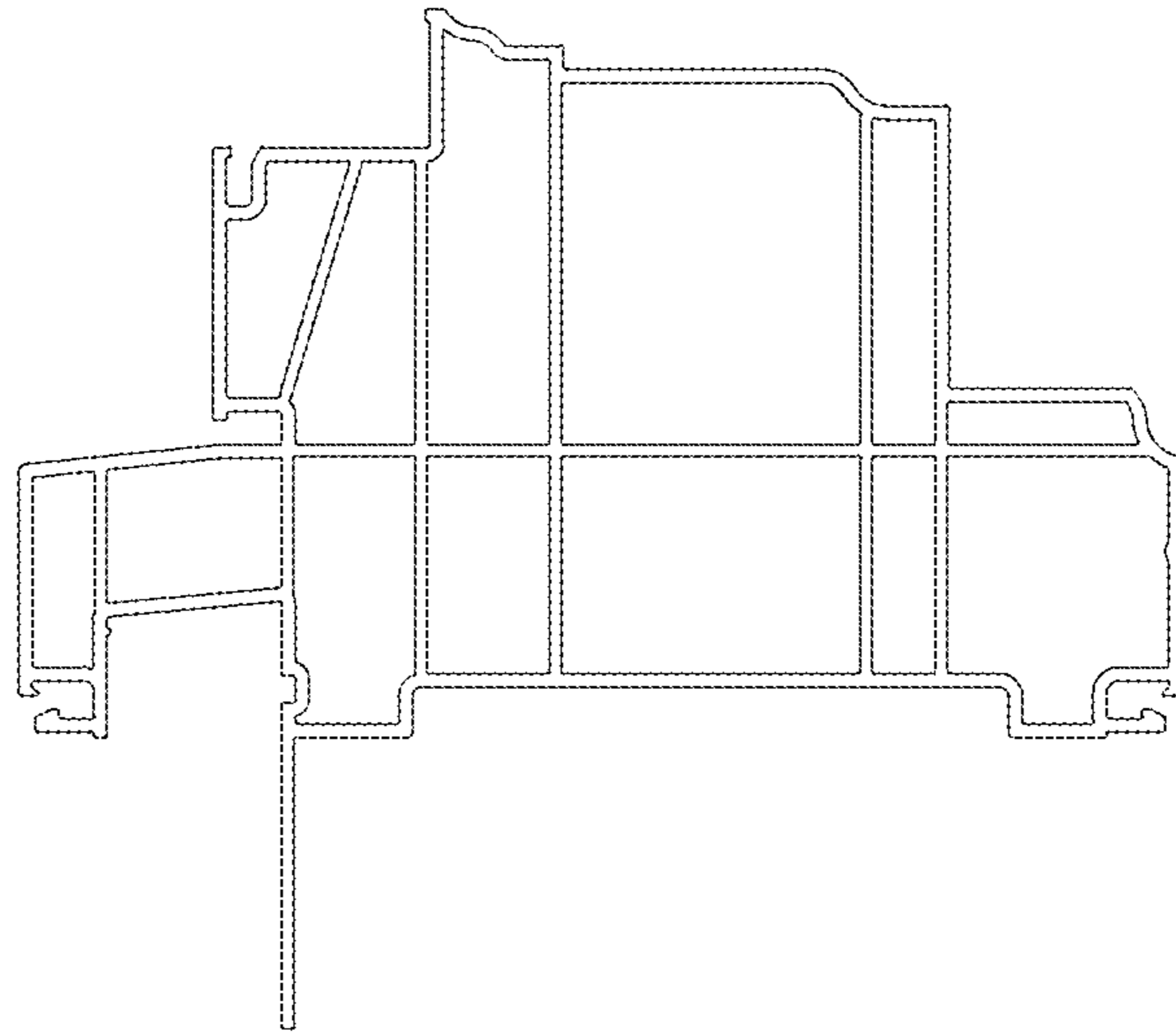
FIG. 7 is a rear elevation view thereof.

FIG. 8 is a front elevation view thereof; and,

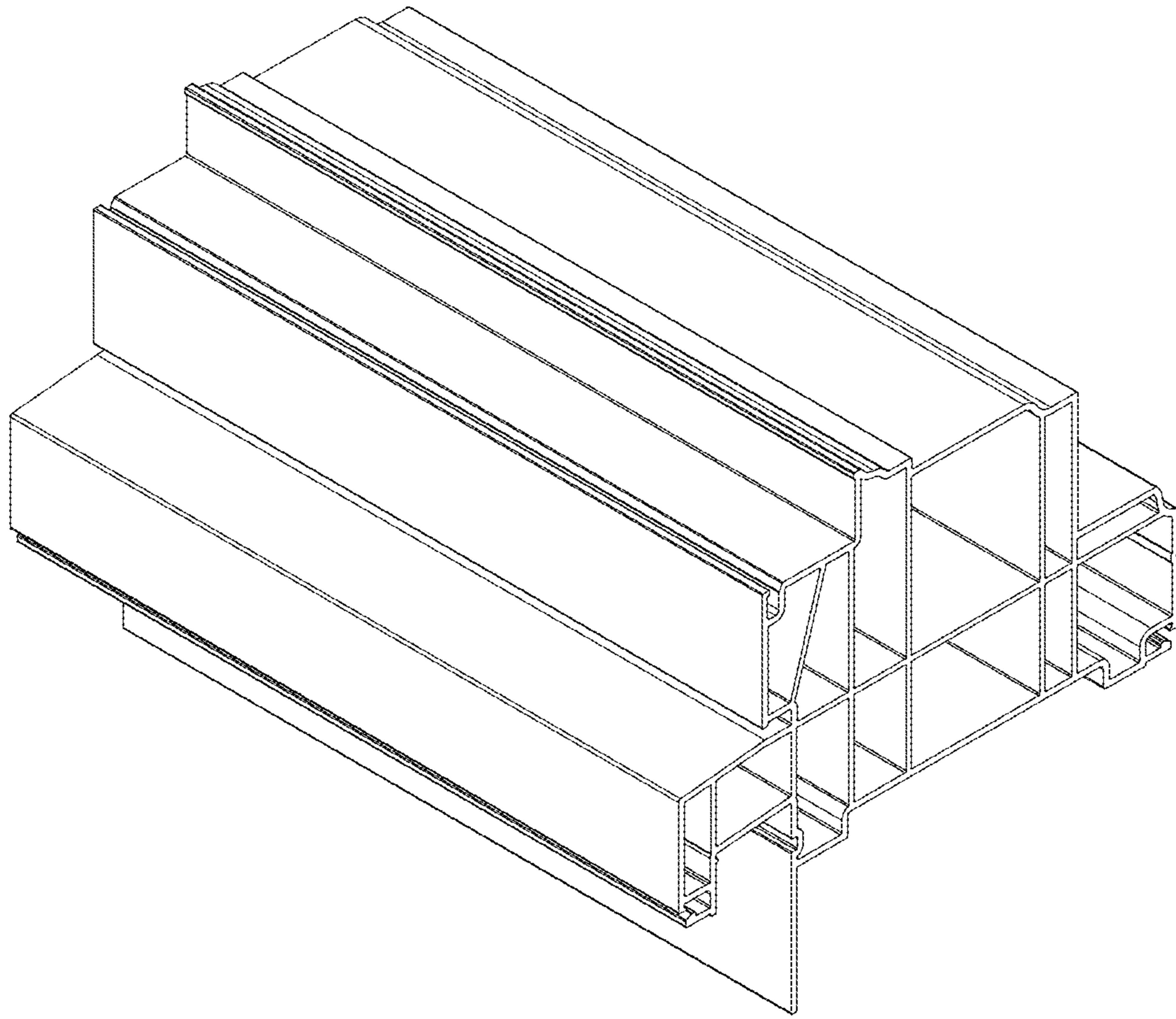
FIG. 9 is a bottom plan view thereof.

**1 Claim, 9 Drawing Sheets**

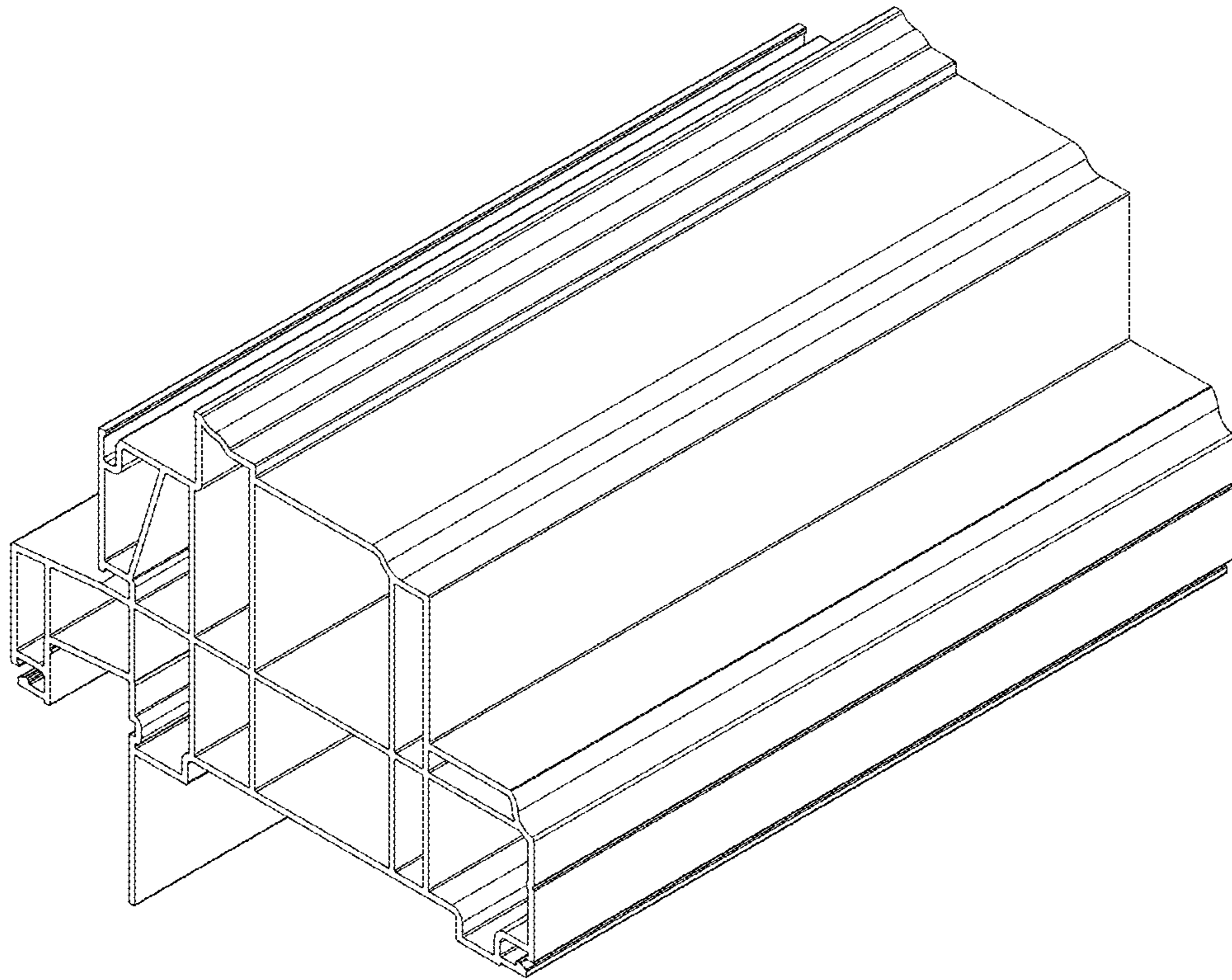




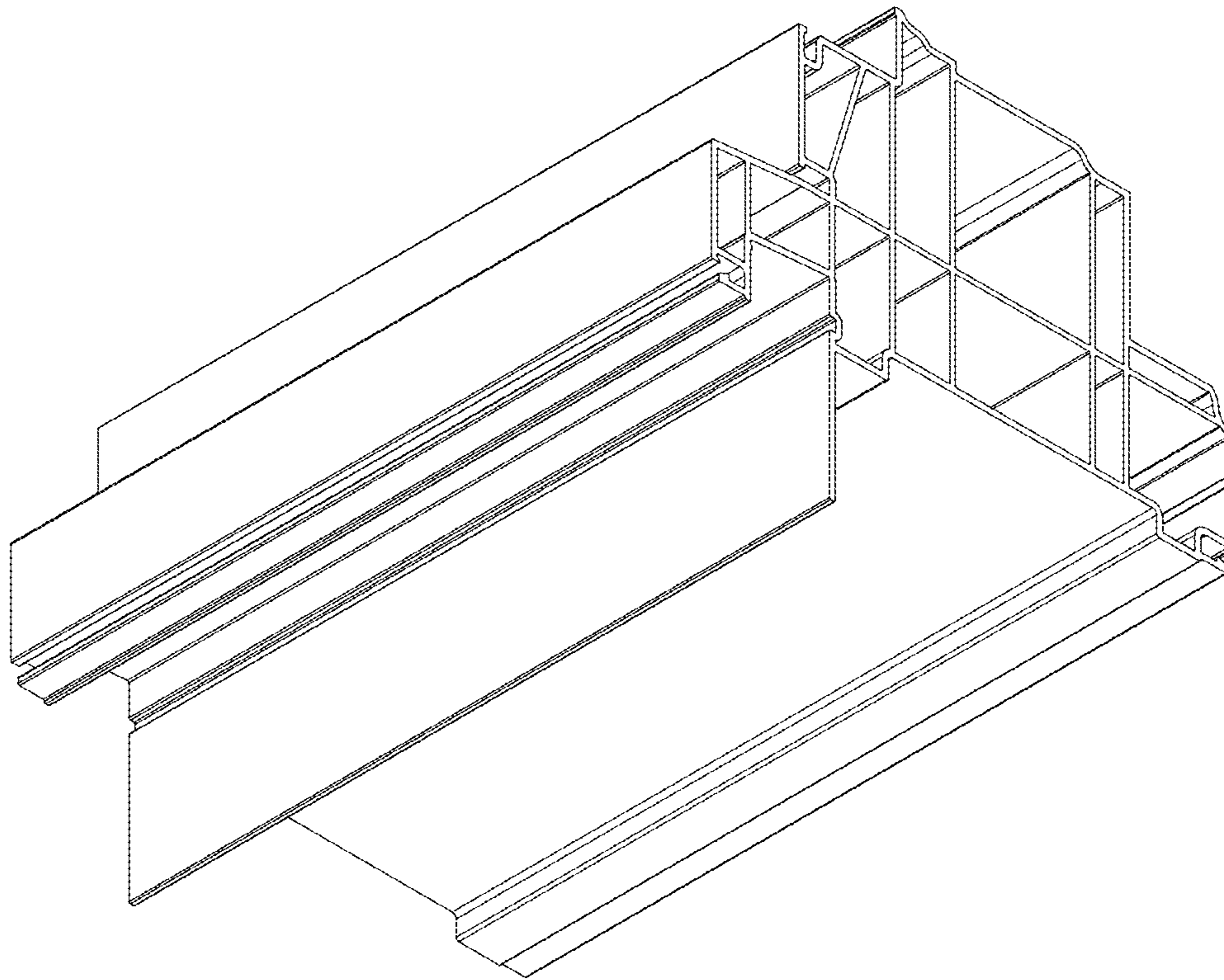
**Fig. 1**



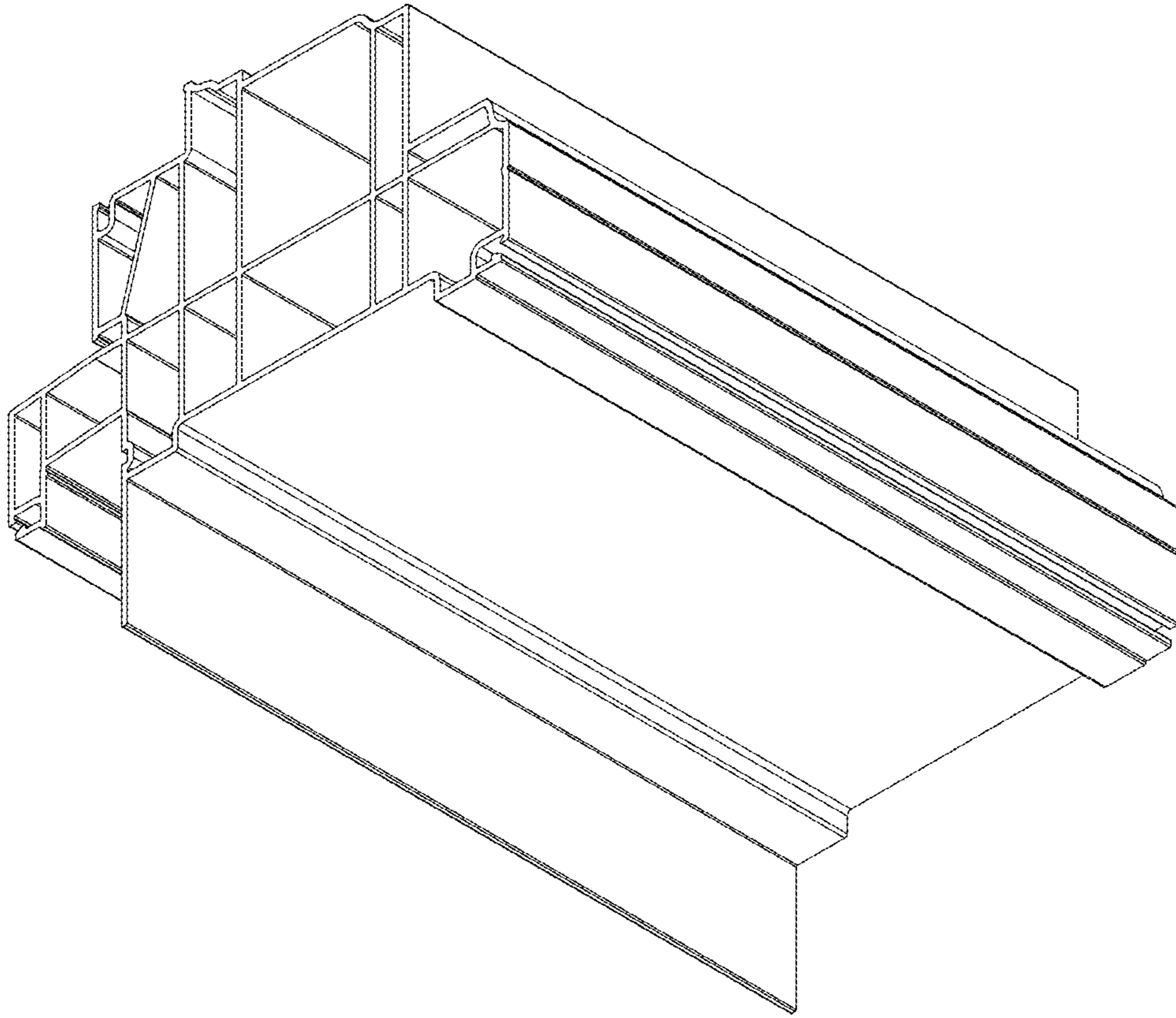
**Fig. 2**



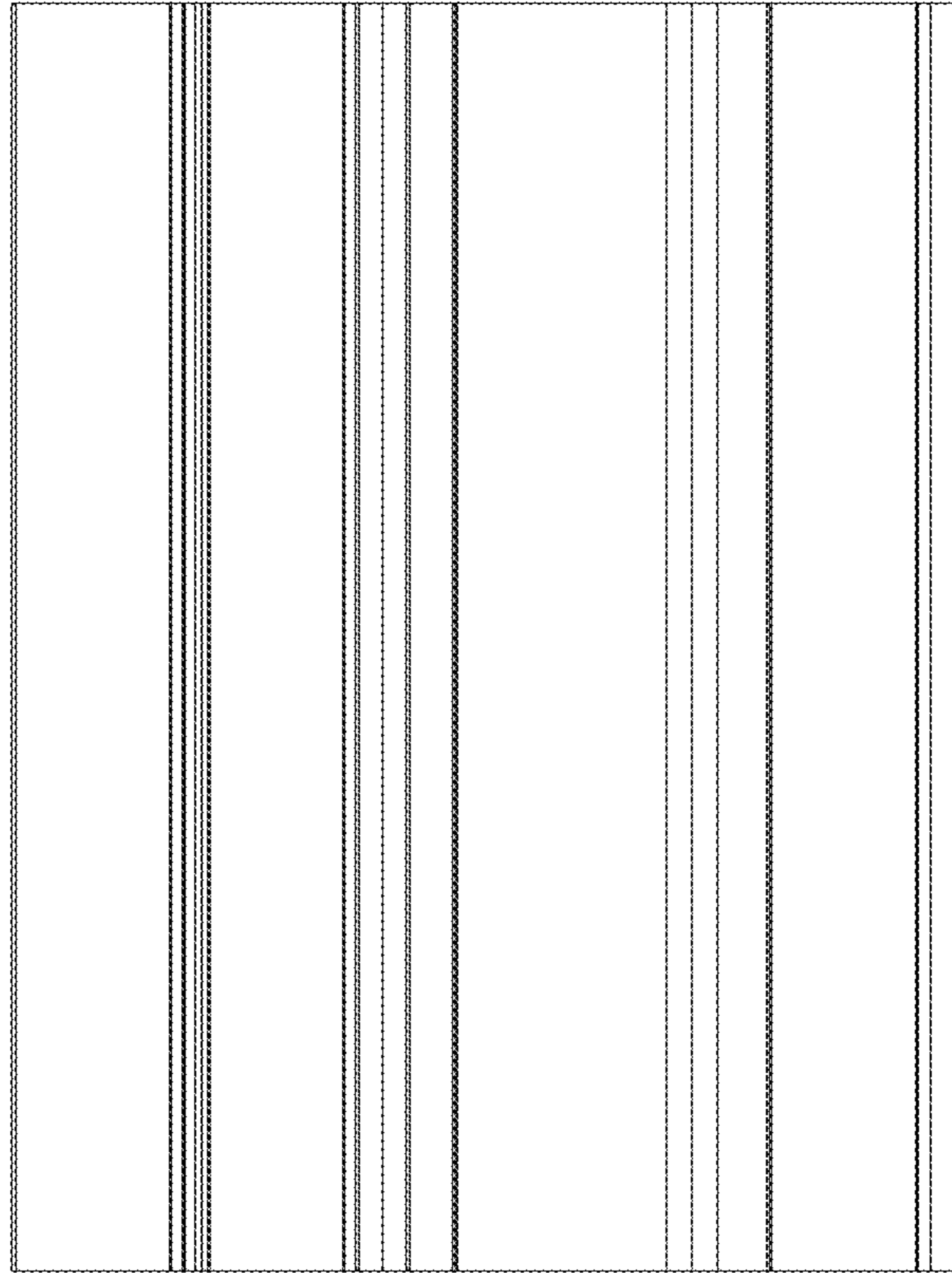
**Fig. 3**



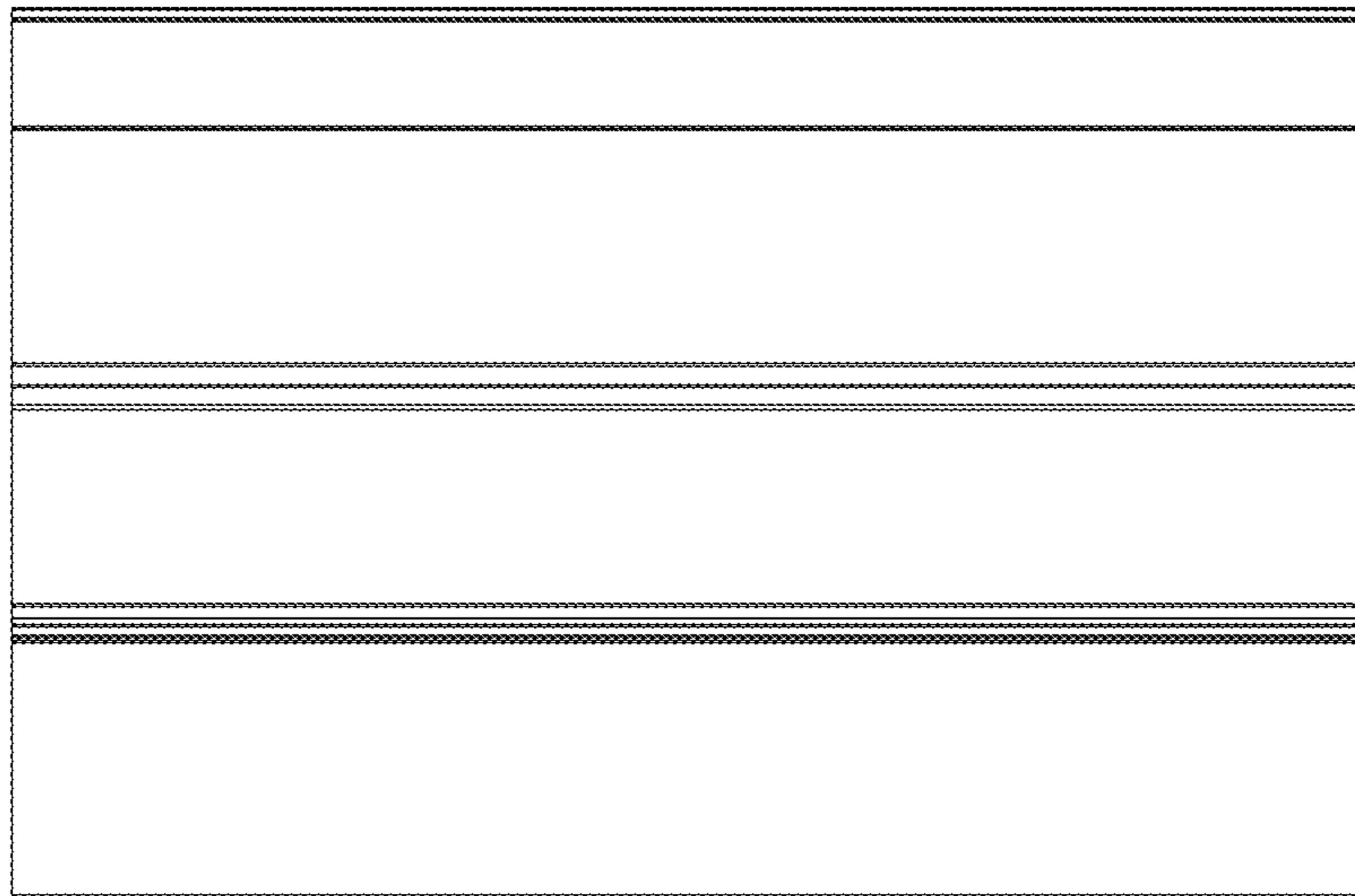
**Fig. 4**



**Fig. 5**

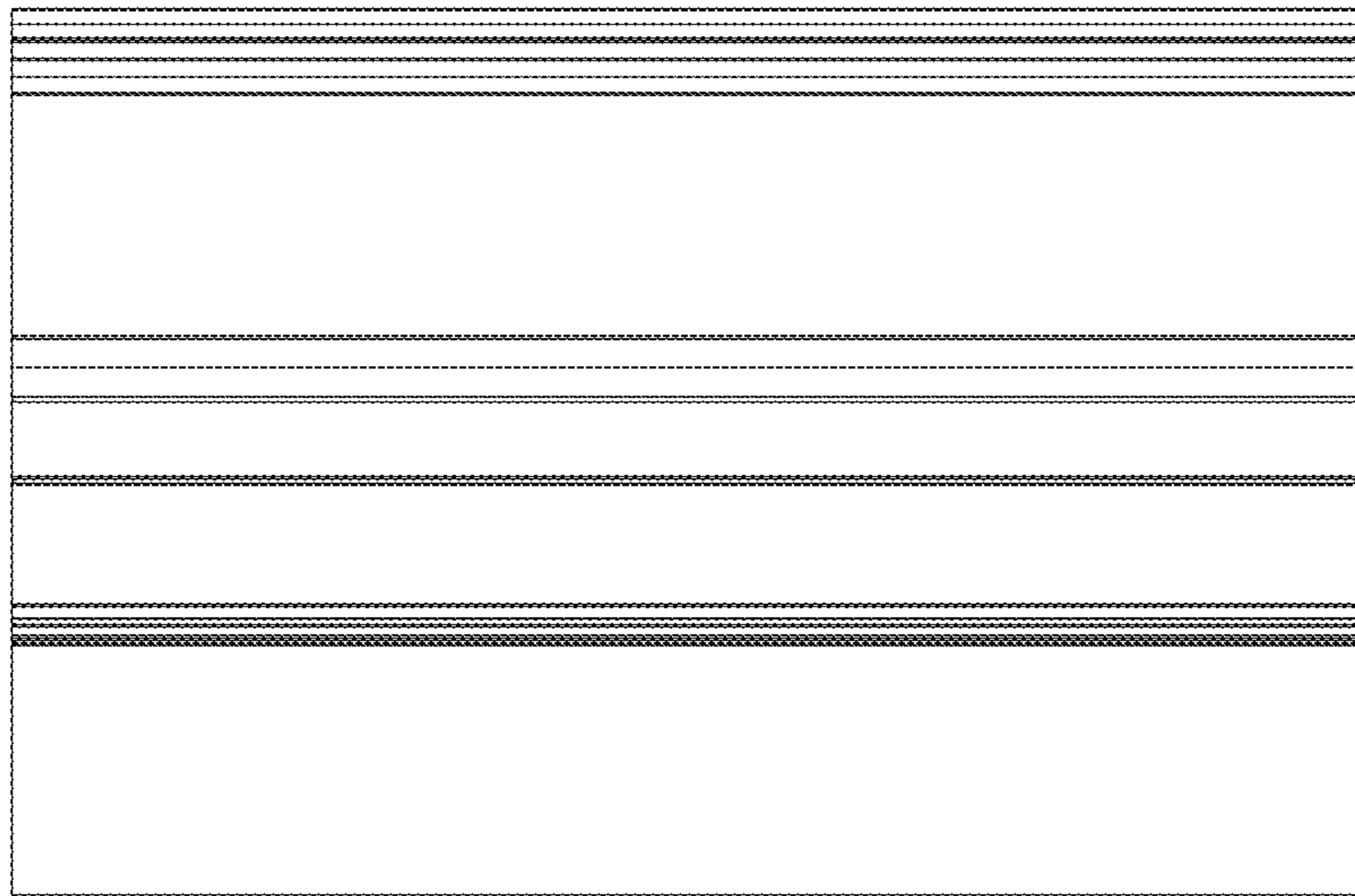


**Fig. 6**

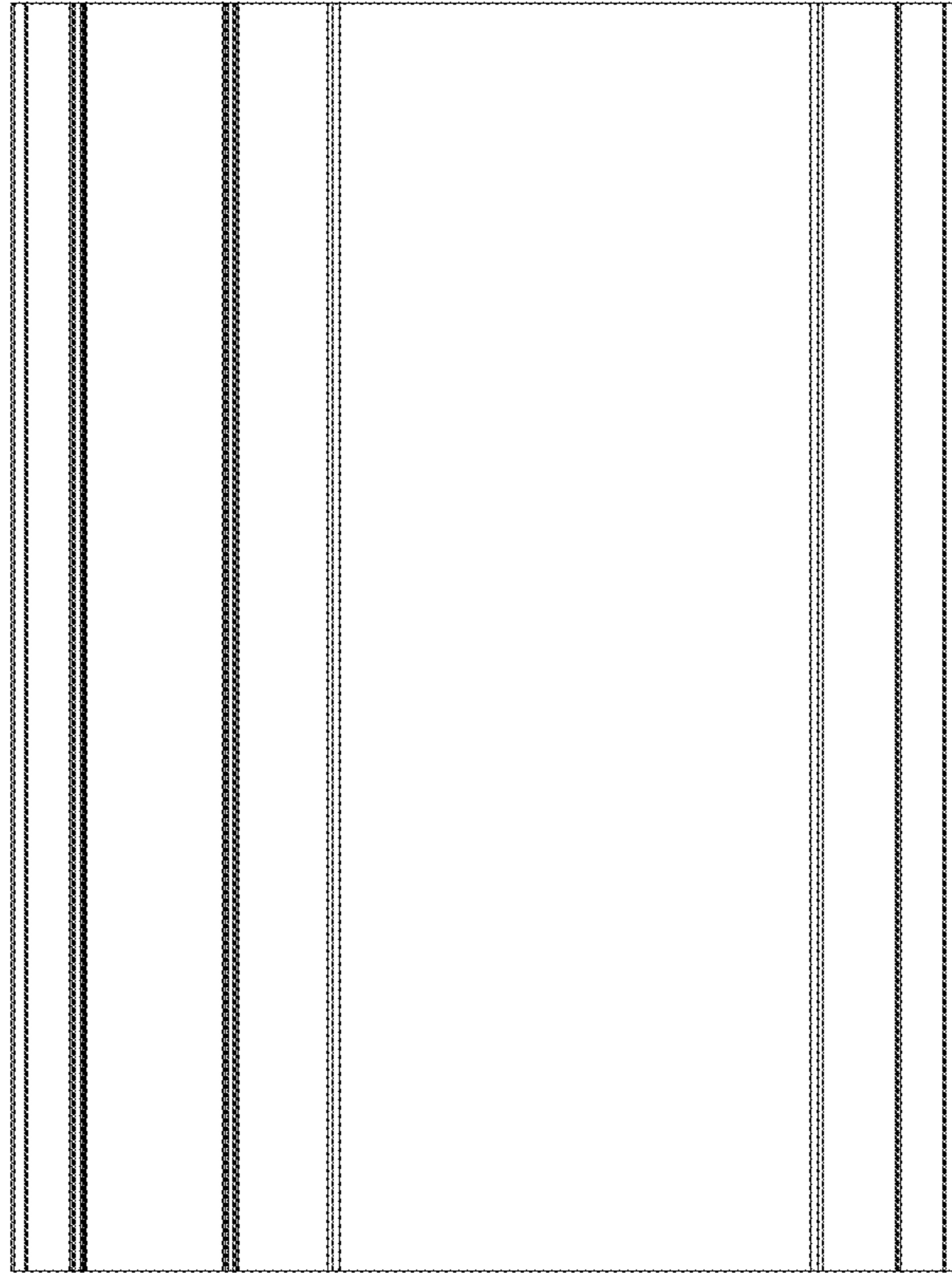


**Fig. 7**





**Fig. 8**



**Fig. 9**