



US00D907251S

(12) **United States Design Patent** (10) **Patent No.:** **US D907,251 S**
Hawthorne et al. (45) **Date of Patent:** **** Jan. 5, 2021**

- (54) **CASEMENT SINGLE VENT MAIN SASH**
- (71) Applicants: **Kyle S. Hawthorne**, Waldo, ME (US);
John C. Magri, Jr., Stockton Springs,
ME (US); **William M. Gray**, Stockton
Springs, ME (US); **Ralph J.**
McDermott, Jr., Lincolnville, ME
(US); **Ryan H. Hamden**, Belfast, ME
(US)
- (72) Inventors: **Kyle S. Hawthorne**, Waldo, ME (US);
John C. Magri, Jr., Stockton Springs,
ME (US); **William M. Gray**, Stockton
Springs, ME (US); **Ralph J.**
McDermott, Jr., Lincolnville, ME
(US); **Ryan H. Hamden**, Belfast, ME
(US)
- (73) Assignee: **Mathews Brothers Company**, Belfast,
ME (US)

(**) Term: **15 Years**

(21) Appl. No.: **29/715,567**

(22) Filed: **Dec. 3, 2019**

(51) **LOC (13) Cl.** **25-01**

(52) **U.S. Cl.**
USPC **D25/124**

(58) **Field of Classification Search**
USPC D25/119–125, 60, 61; D8/349
CPC E06B 1/02; E06B 1/04; E06B 1/12; E06B
1/26; E06B 1/28; E06B 1/36; E06B 1/52;
E06B 1/205; E06B 1/70; E06B 1/702;
E06B 2001/707

See application file for complete search history.

(56) **References Cited**

U.S. PATENT DOCUMENTS

D338,079	S	*	8/1993	Moss	D25/124
D338,722	S	*	8/1993	Cole	D25/124
D377,101	S	*	12/1996	Goss, Jr.	D25/124
D664,679	S	*	7/2012	Kim	D25/124
D692,587	S	*	10/2013	Wickland	D25/124
D724,764	S	*	3/2015	Fannan	D25/124
D724,765	S	*	3/2015	Fannan	D25/124
D724,766	S	*	3/2015	Fannan	D25/124
D725,798	S	*	3/2015	Fannan	D25/124
D820,474	S	*	6/2018	Kosonen	D25/119
D852,985	S	*	7/2019	Kosonen	D25/124
D888,996	S	*	6/2020	Hawthorne	D25/124

* cited by examiner

Primary Examiner — Llorellys Martinez

(74) *Attorney, Agent, or Firm* — Anthony D. Pellegrini

(57) **CLAIM**

The ornamental design for a casement single vent main sash,
as shown and described.

DESCRIPTION

FIG. 1 is a left plan view of a casement single vent main sash
showing our new design.

FIG. 2 is a top, rear perspective view thereof.

FIG. 3 is a top, front perspective view thereof.

FIG. 4 is a bottom, rear perspective view thereof.

FIG. 5 is a bottom, front perspective view thereof.

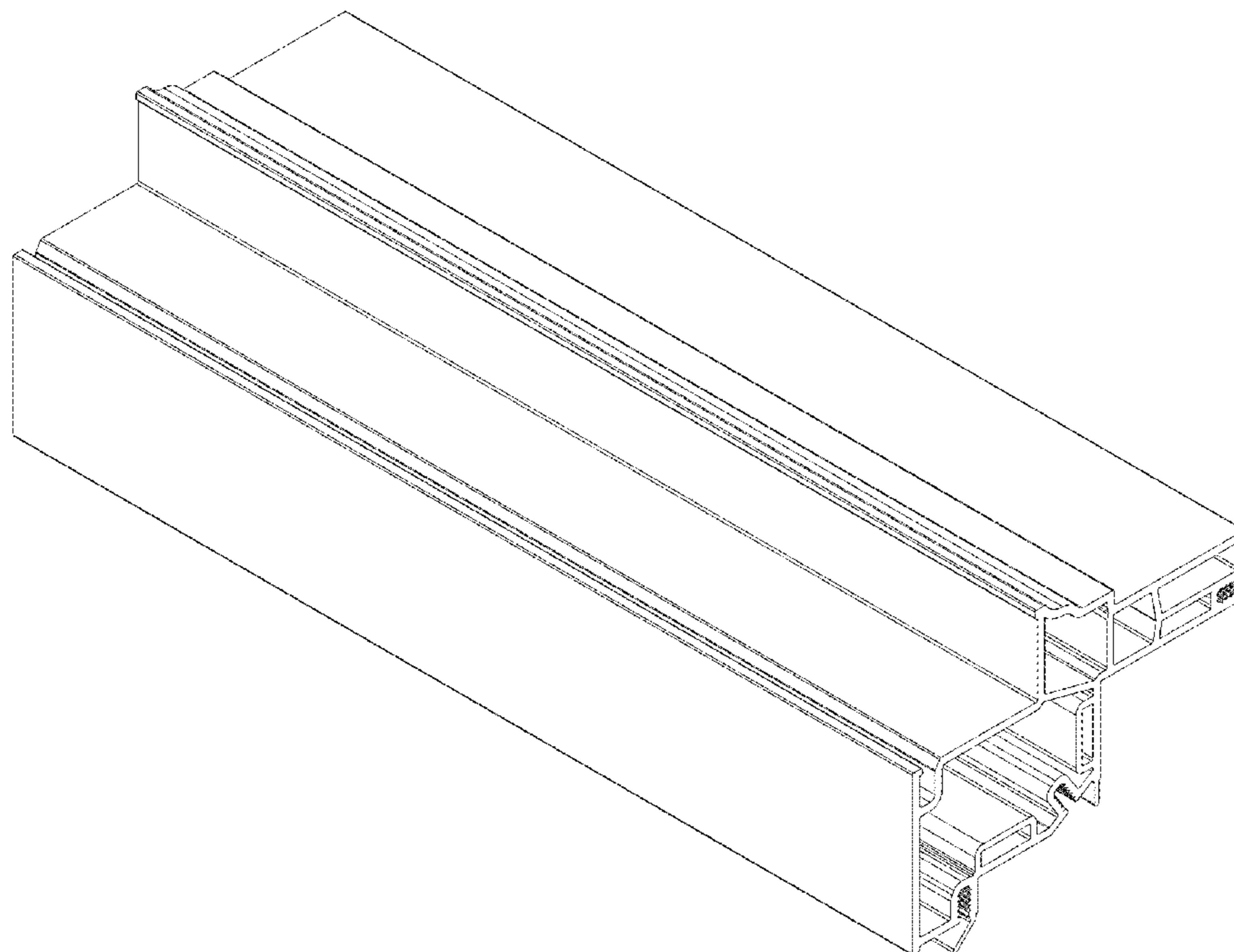
FIG. 6 is a top plan view thereof.

FIG. 7 is a rear elevation view thereof.

FIG. 8 is a front elevation view thereof; and,

FIG. 9 is a bottom plan view thereof.

1 Claim, 9 Drawing Sheets



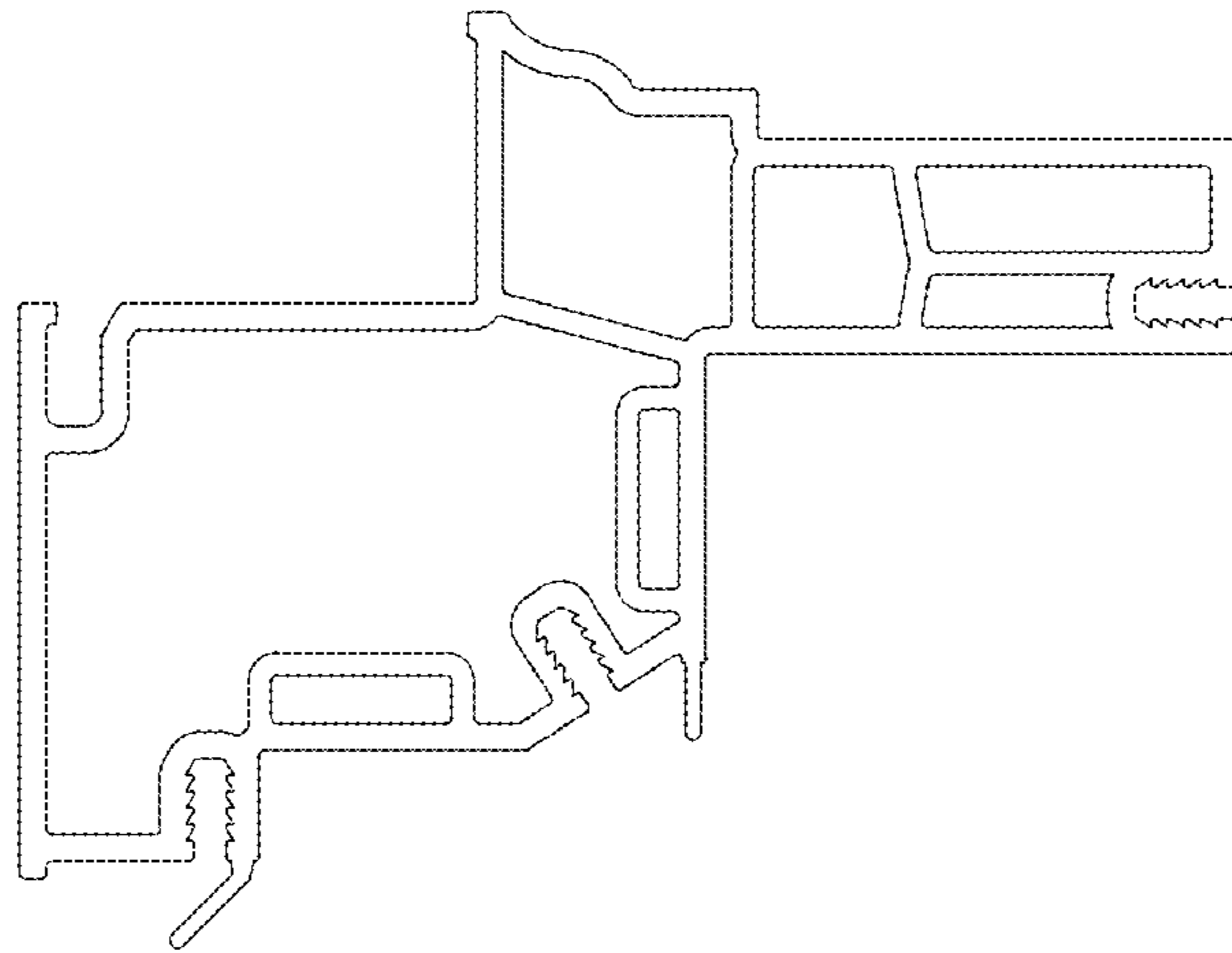


Fig. 1

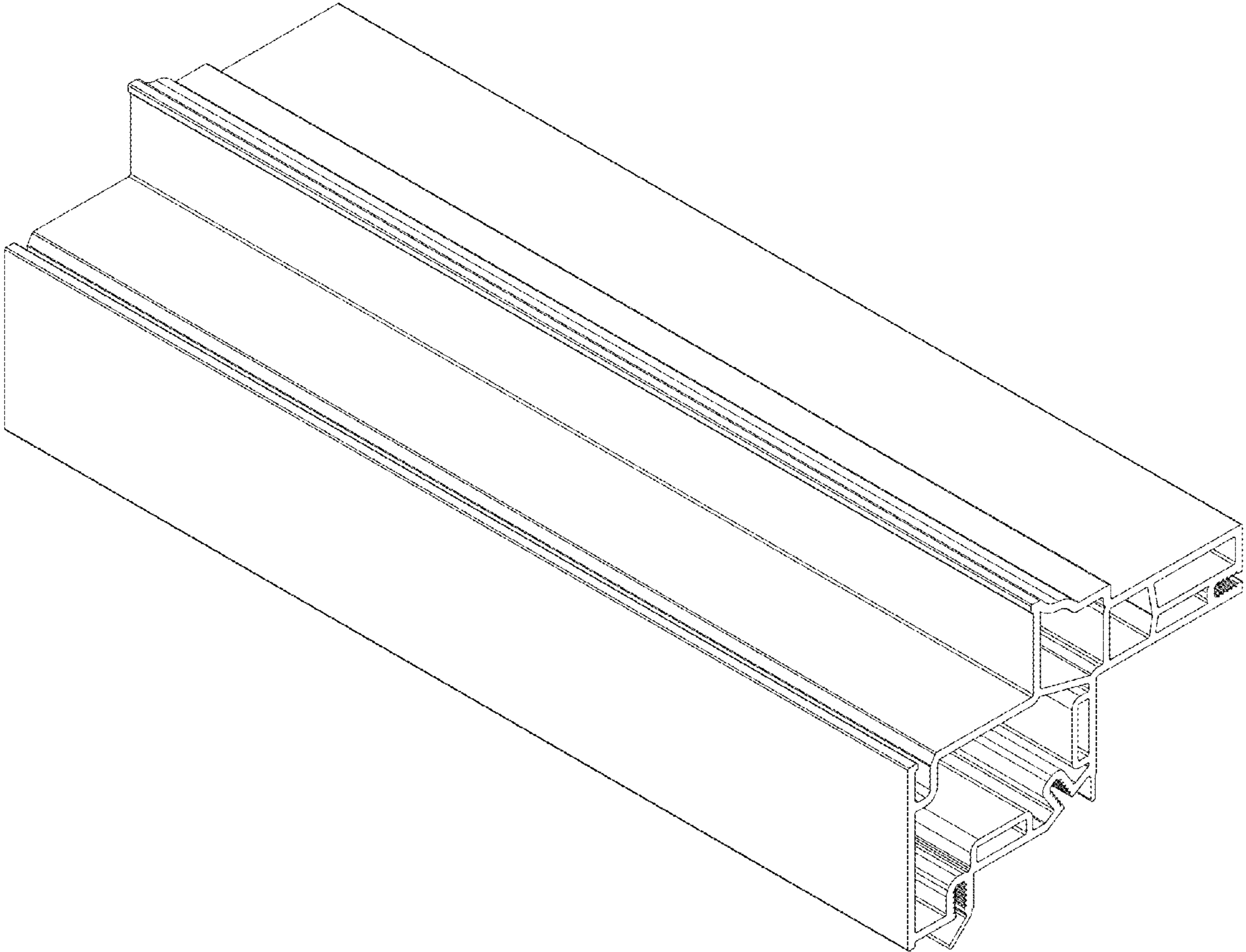


Fig. 2

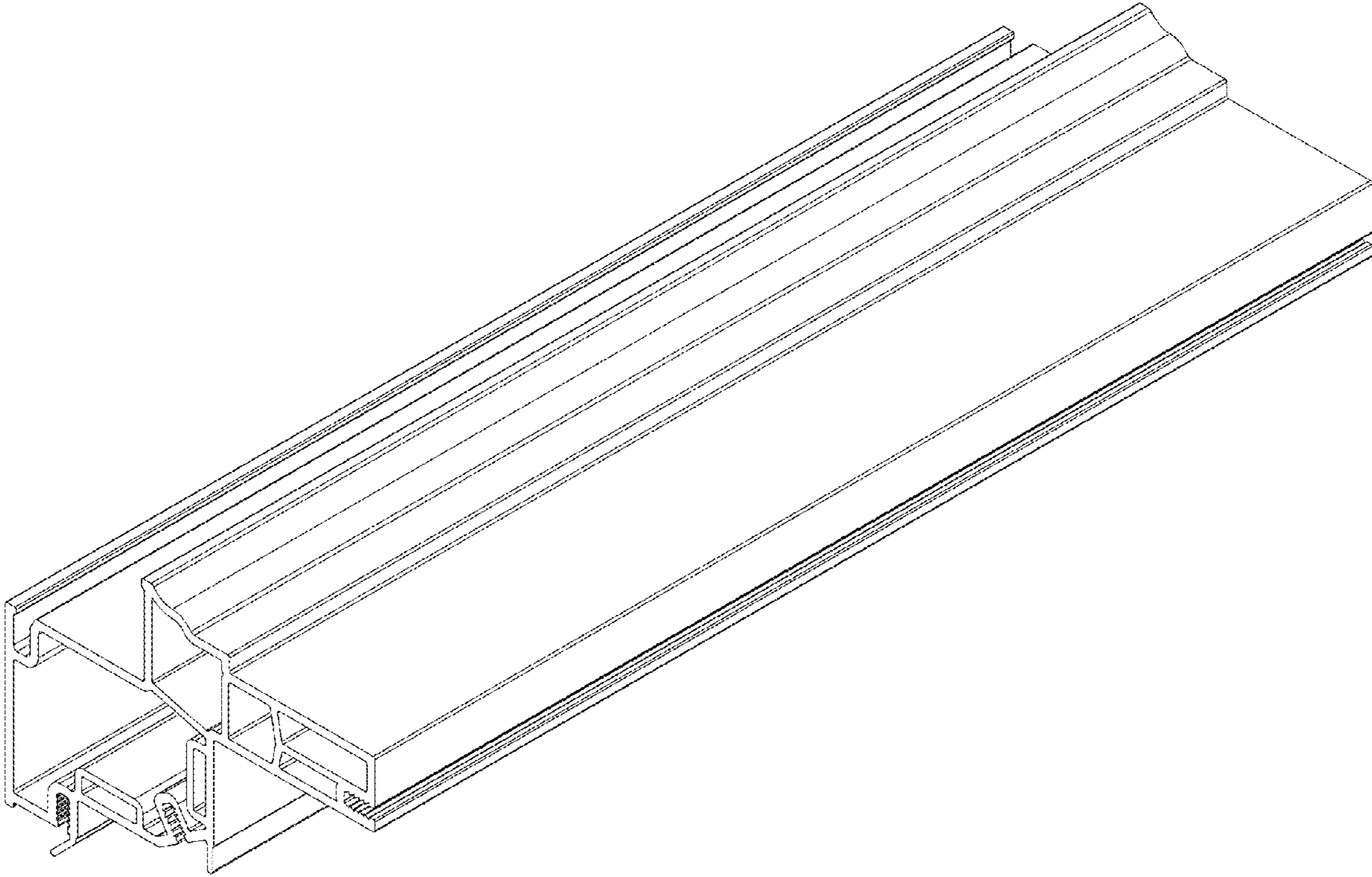


Fig. 3

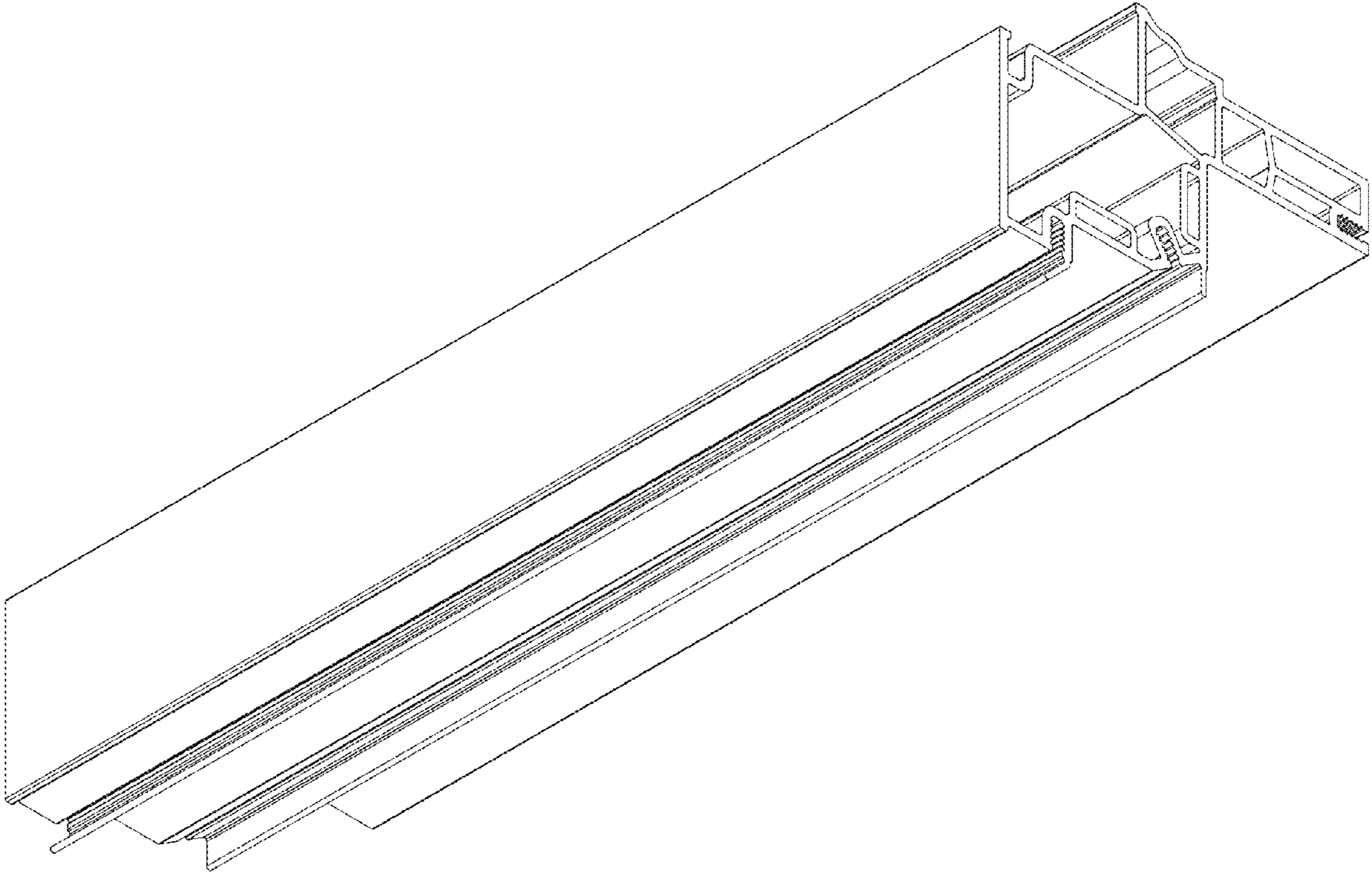


Fig. 4

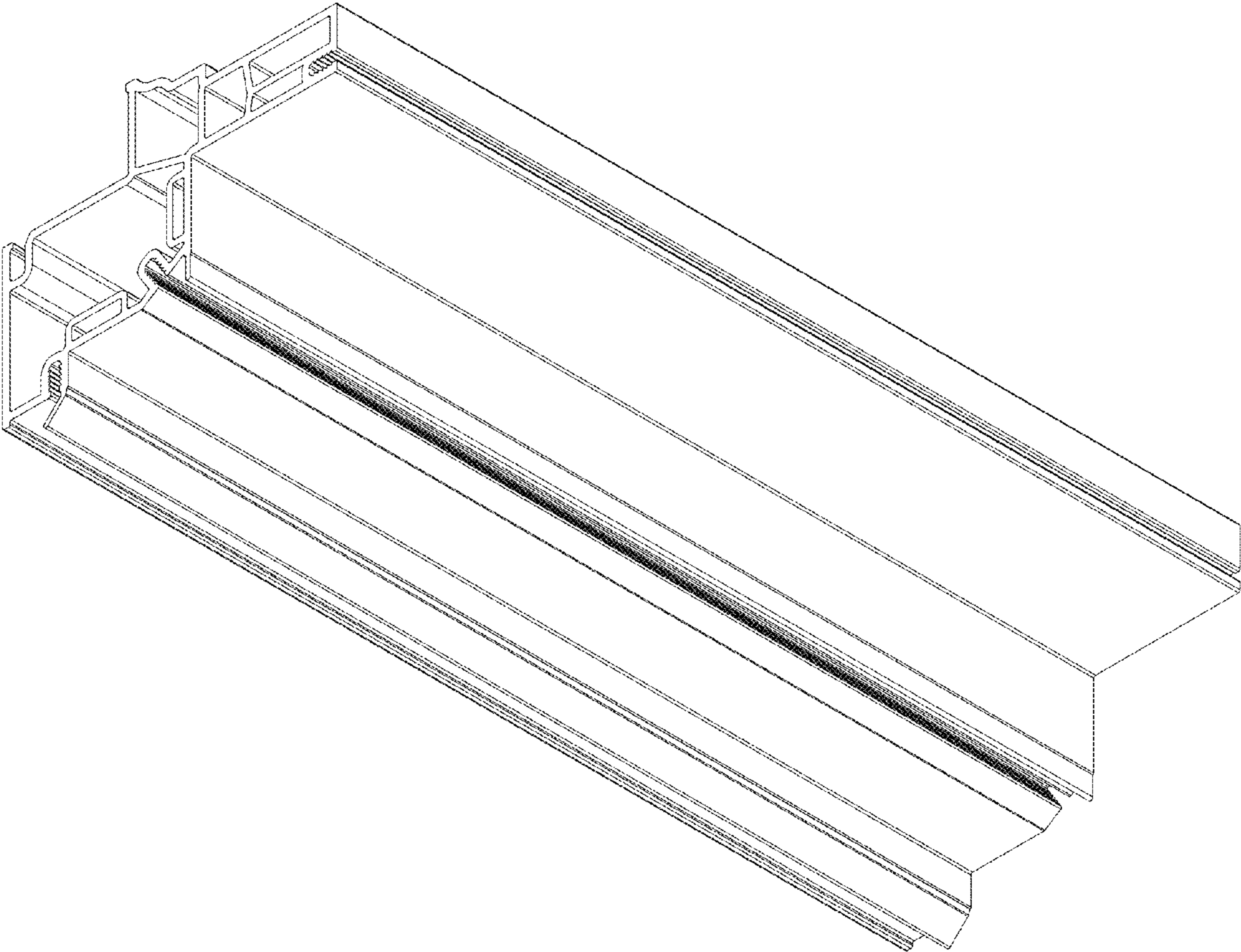


Fig. 5

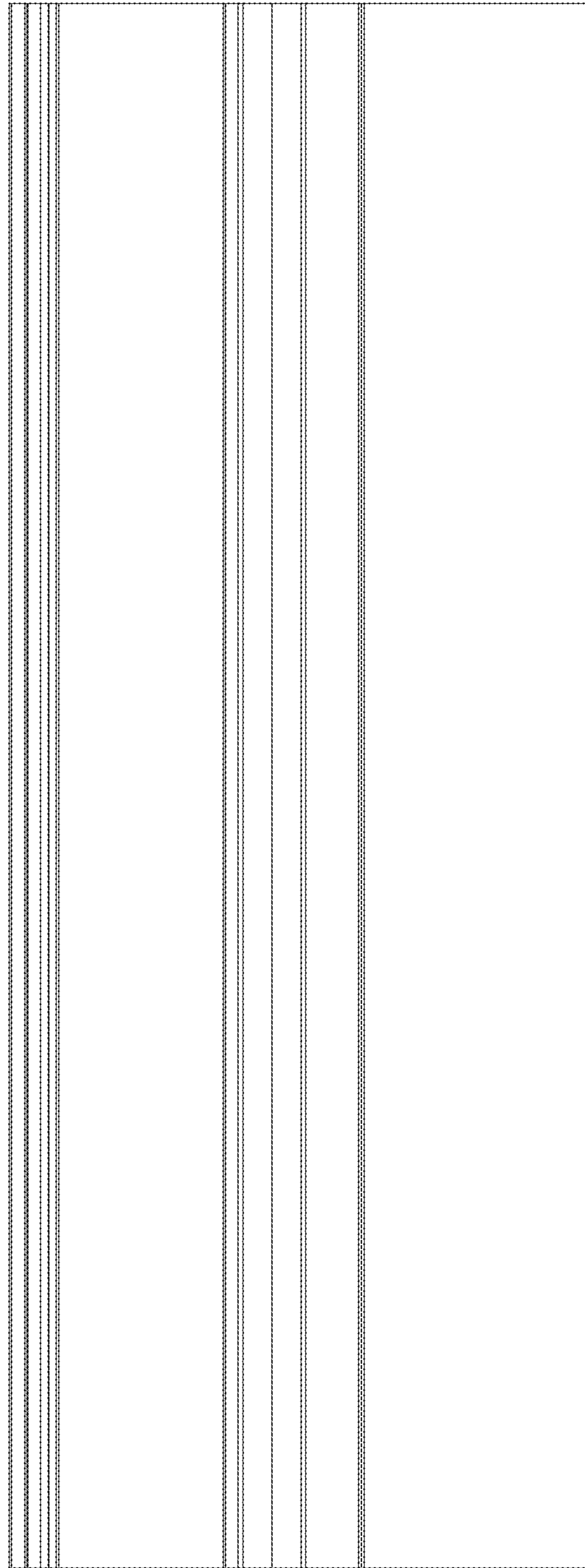


Fig. 6

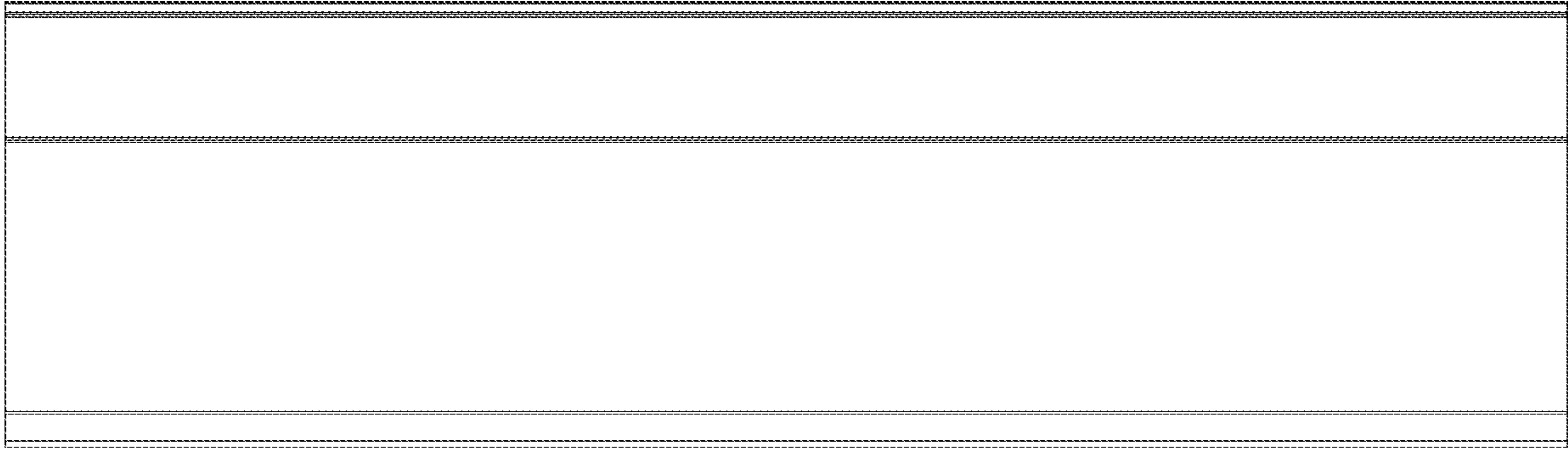


Fig. 7

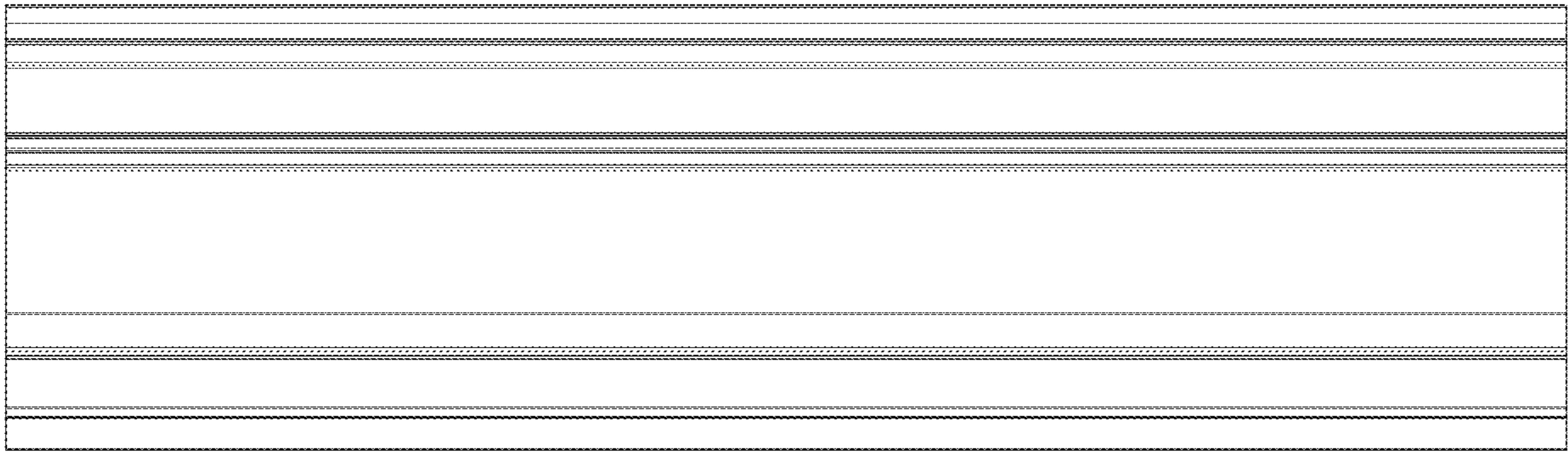


Fig. 8



Fig. 9