



US00D907250S

(12) **United States Design Patent** (10) **Patent No.:** **US D907,250 S**
Hawthorne et al. (45) **Date of Patent:** **** Jan. 5, 2021**

(54) **CASEMENT SINGLE VENT MAIN FRAME**

(71) Applicants: **Kyle S. Hawthorne**, Waldo, ME (US);
John C. Magri, Jr., Stockton Springs,
ME (US); **William M. Gray**, Stockton
Springs, ME (US); **Ralph J.**
McDermott, Jr., Lincolnville, ME
(US); **Ryan H. Hamden**, Belfast, ME
(US)

(72) Inventors: **Kyle S. Hawthorne**, Waldo, ME (US);
John C. Magri, Jr., Stockton Springs,
ME (US); **William M. Gray**, Stockton
Springs, ME (US); **Ralph J.**
McDermott, Jr., Lincolnville, ME
(US); **Ryan H. Hamden**, Belfast, ME
(US)

(73) Assignee: **Mathews Brothers Company**, Belfast,
ME (US)

(**) Term: **15 Years**

(21) Appl. No.: **29/715,561**

(22) Filed: **Dec. 3, 2019**

(51) **LOC (13) Cl.** **25-01**

(52) **U.S. Cl.**
USPC **D25/124; D25/60**

(58) **Field of Classification Search**
USPC D25/119–125, 60, 61; D8/349
CPC E06B 1/02; E06B 1/04; E06B 1/12; E06B
1/26; E06B 1/28; E06B 1/36; E06B 1/52;
E06B 1/205; E06B 1/70; E06B 1/702;
E06B 2001/707

See application file for complete search history.

(56) **References Cited**

U.S. PATENT DOCUMENTS

D436,673	S	*	1/2001	Hauberg	D25/124
D467,012	S	*	12/2002	Ballard	D25/124
D507,356	S	*	7/2005	Jarrell	D25/124
D594,138	S	*	6/2009	Campbell	D25/124
D603,532	S	*	11/2009	Lockbeam	D25/124
D775,740	S	*	1/2017	Wickland	D25/124
D795,459	S	*	8/2017	Marshall	D25/125
D803,422	S	*	11/2017	Fannan	D25/124
D872,890	S	*	1/2020	Hawthorne	D25/124

* cited by examiner

Primary Examiner — Llorellys Martinez

(74) *Attorney, Agent, or Firm* — Anthony D. Pellegrini

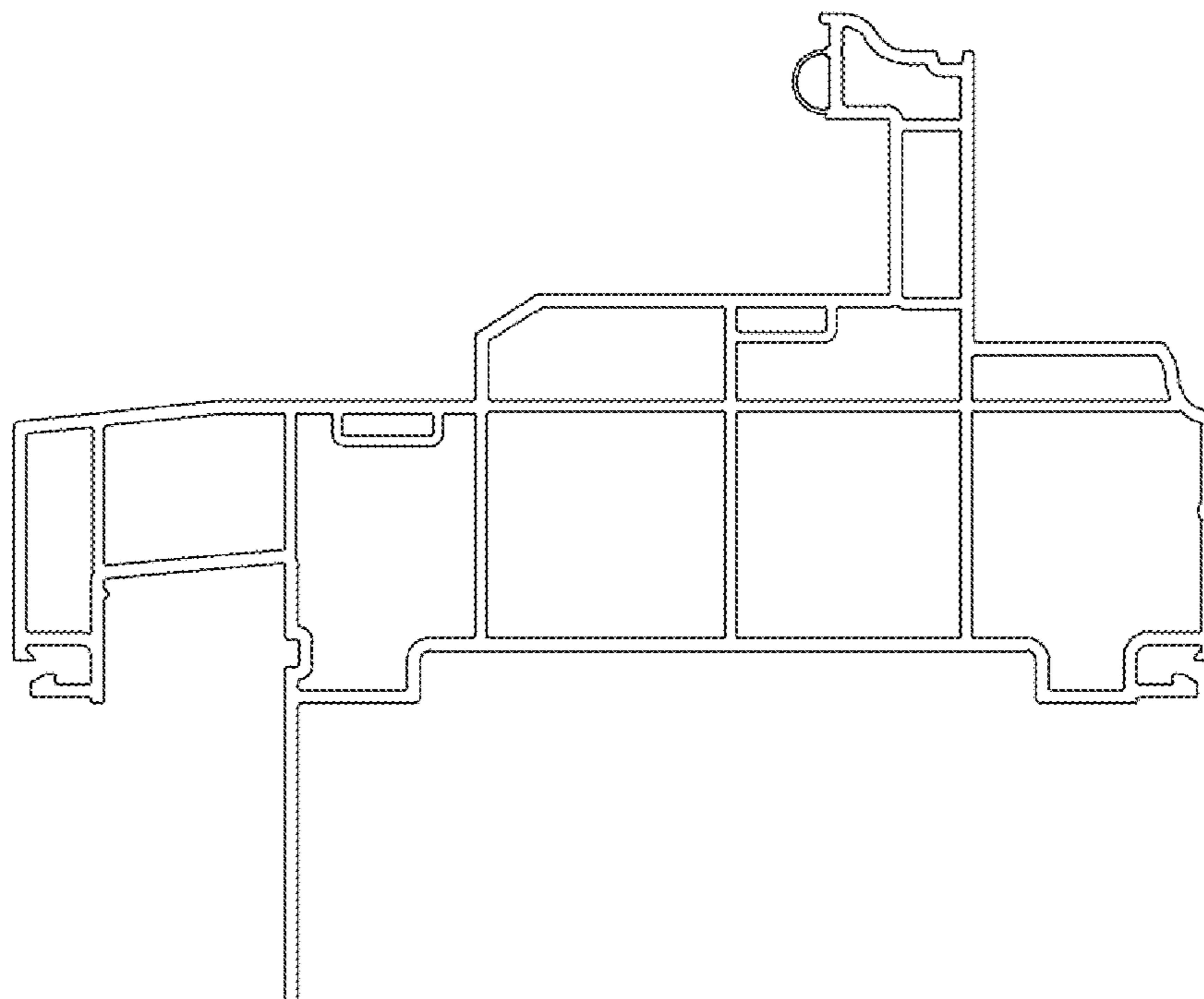
(57) **CLAIM**

The ornamental design for a casement single vent main
frame, as shown and described.

DESCRIPTION

FIG. 1 is a left plan view of a casement single vent main
frame showing our new design.
FIG. 2 is a top, rear perspective view thereof.
FIG. 3 is a top, front perspective view thereof.
FIG. 4 is a bottom, rear perspective view thereof.
FIG. 5 is a bottom, front perspective view thereof.
FIG. 6 is a top plan view thereof.
FIG. 7 is a rear elevation view thereof.
FIG. 8 is a front elevation view thereof; and,
FIG. 9 is a bottom plan view thereof.

1 Claim, 9 Drawing Sheets



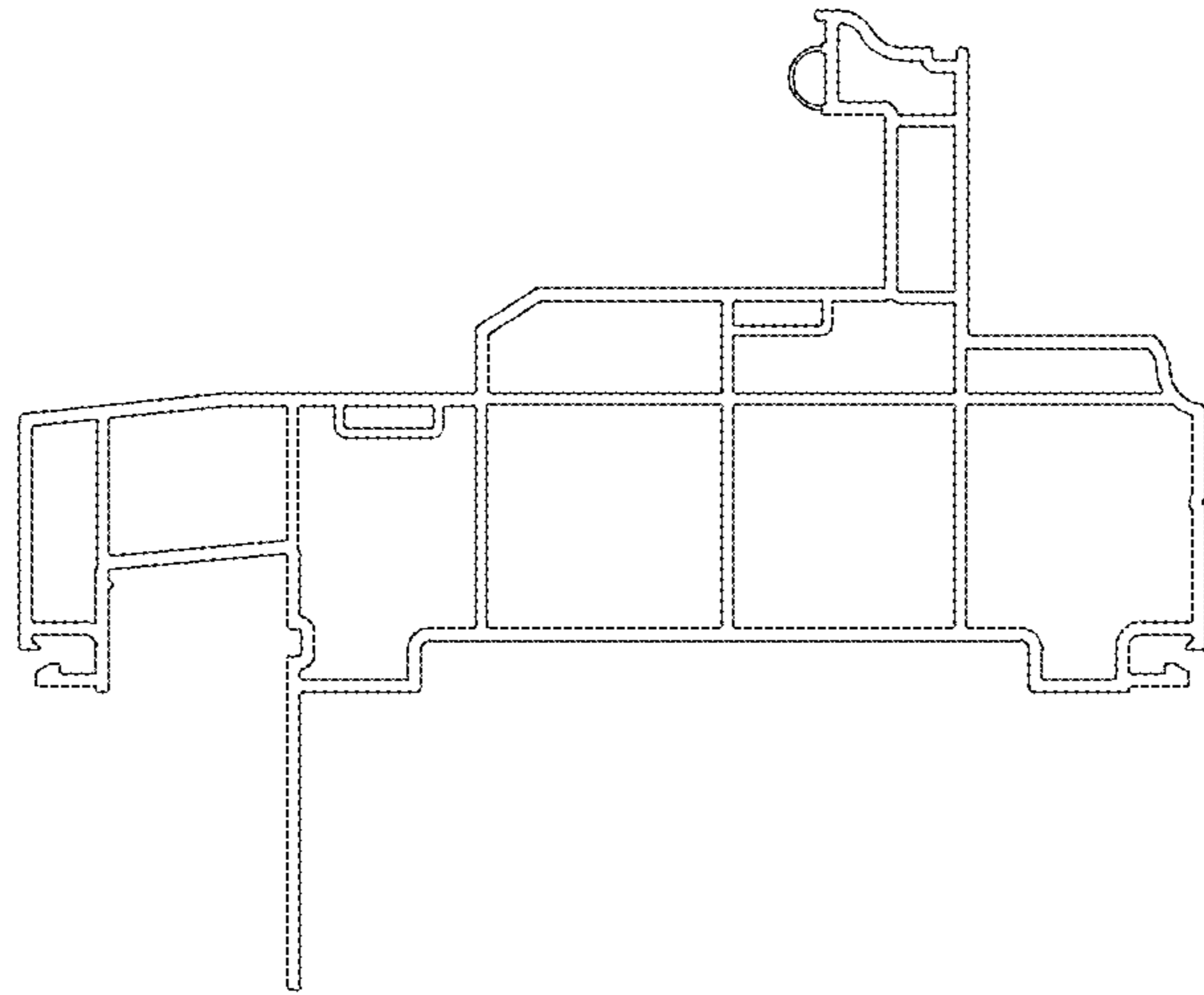


Fig. 1

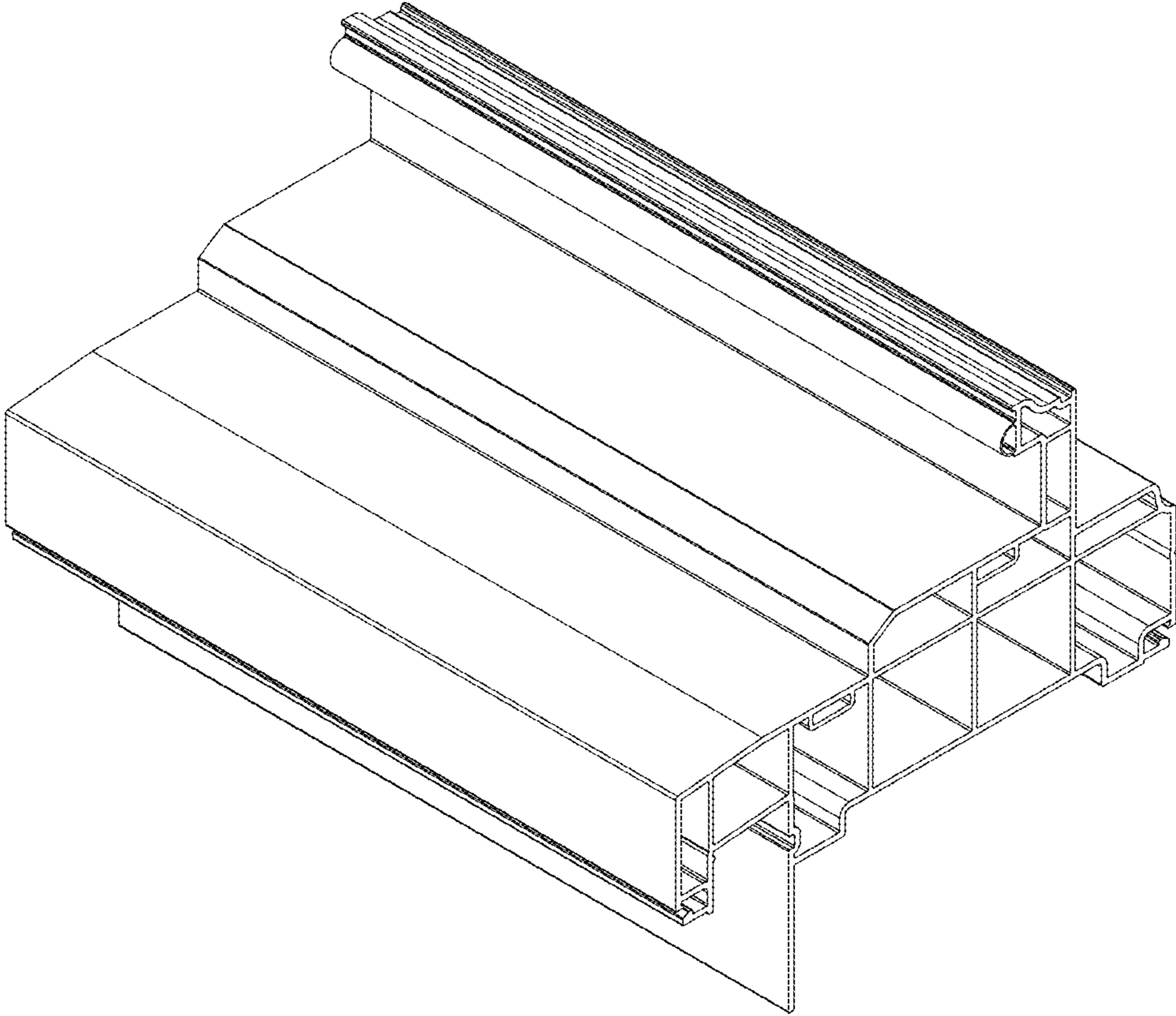


Fig. 2

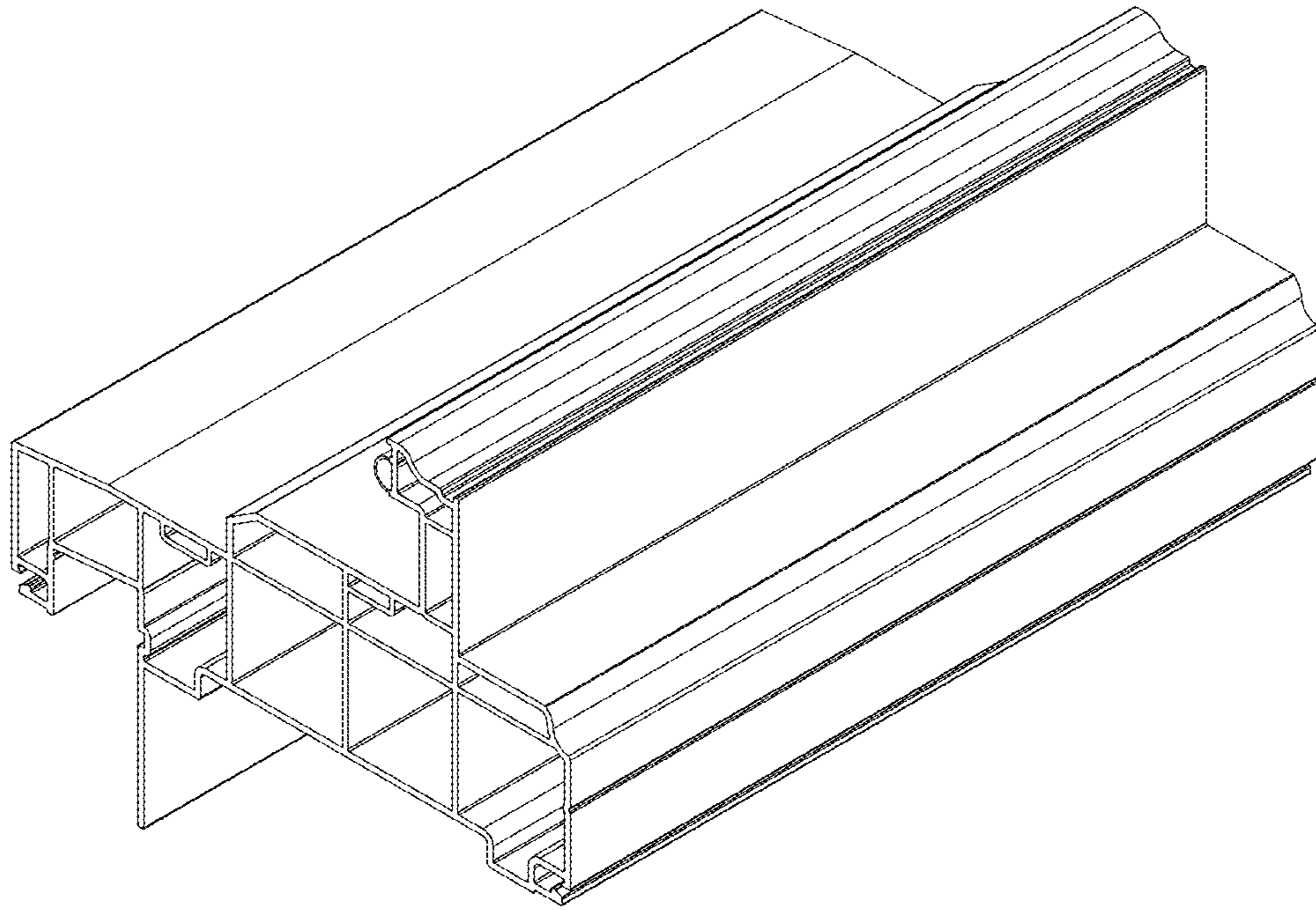


Fig. 3

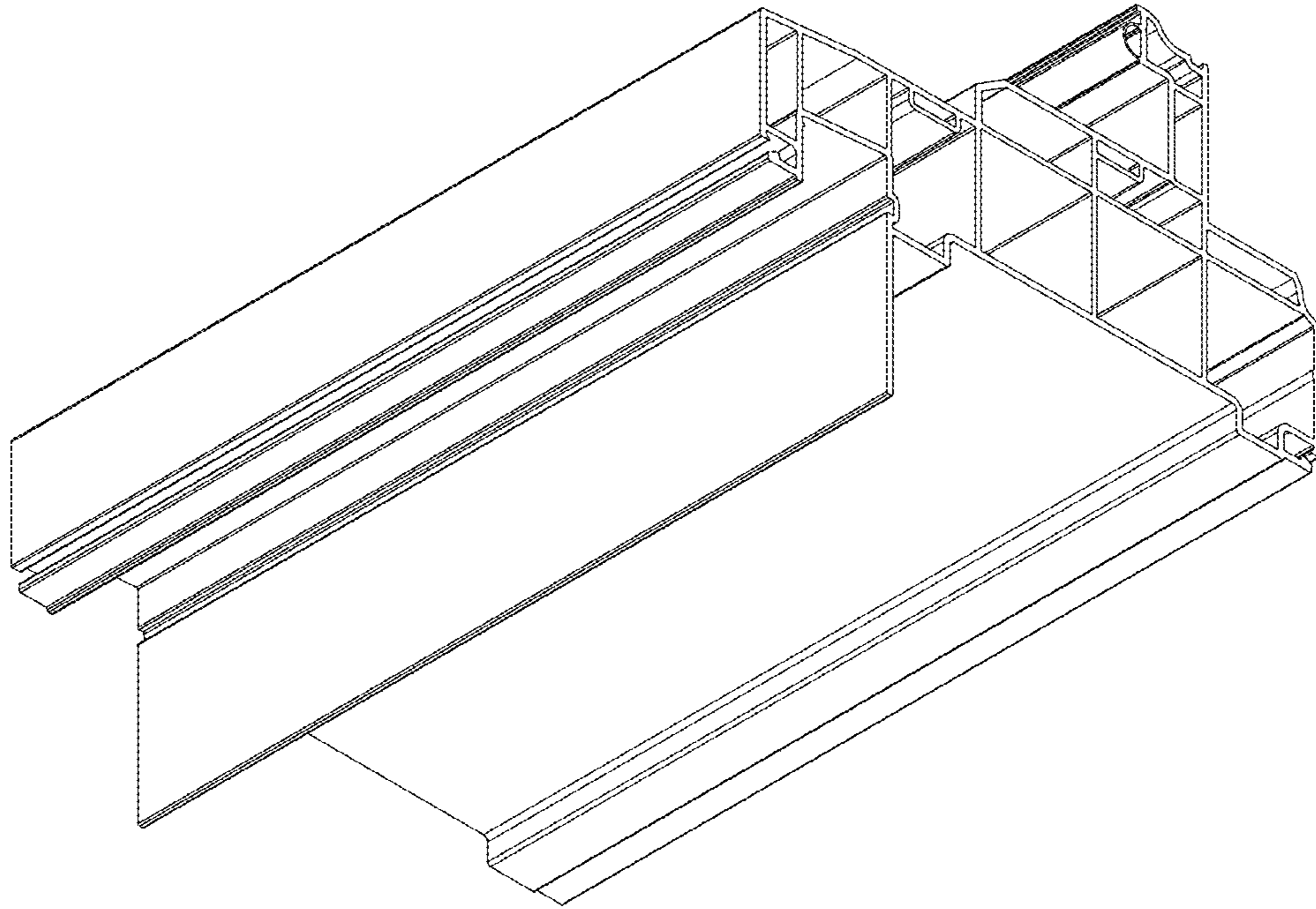


Fig. 4

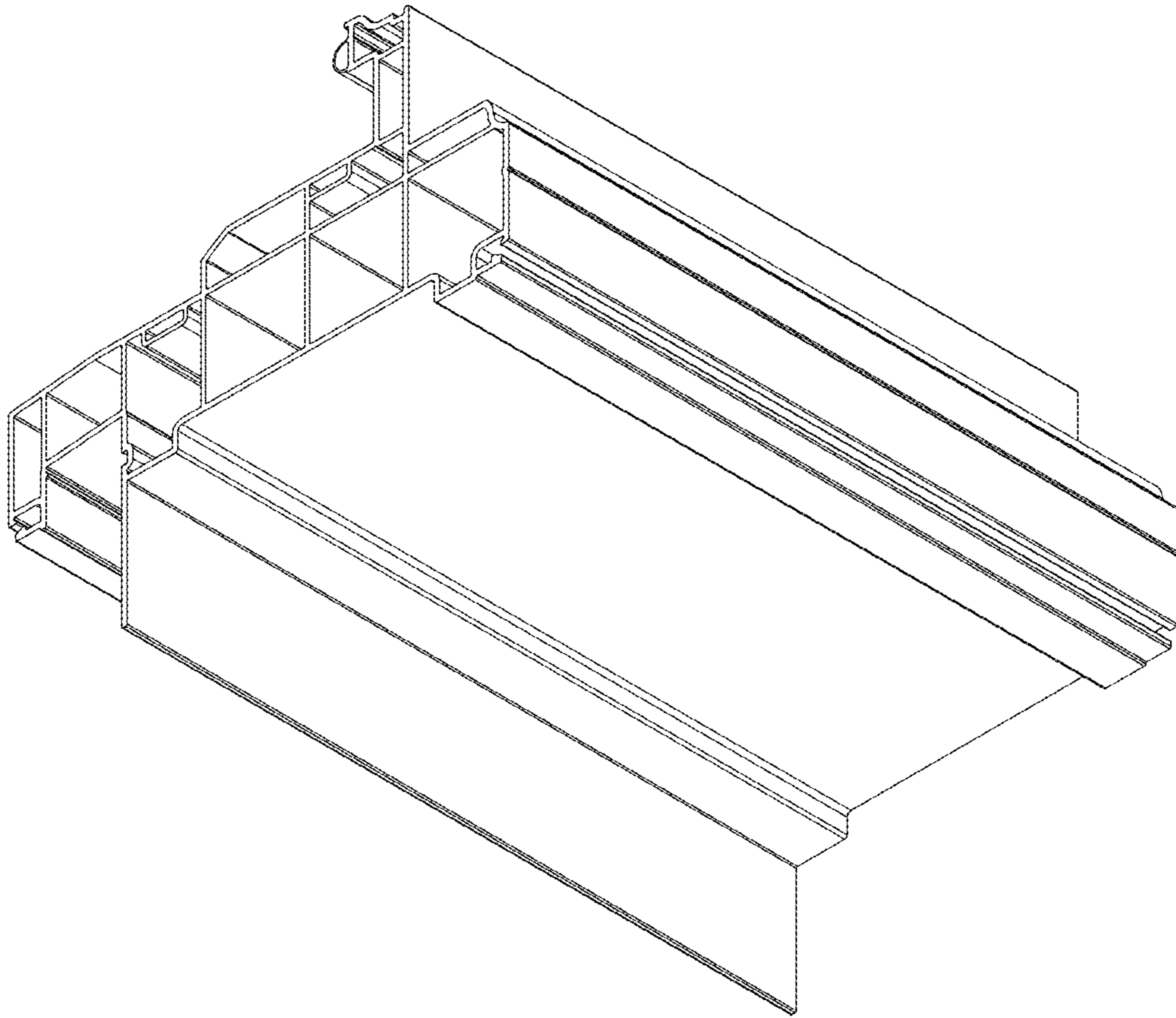


Fig. 5

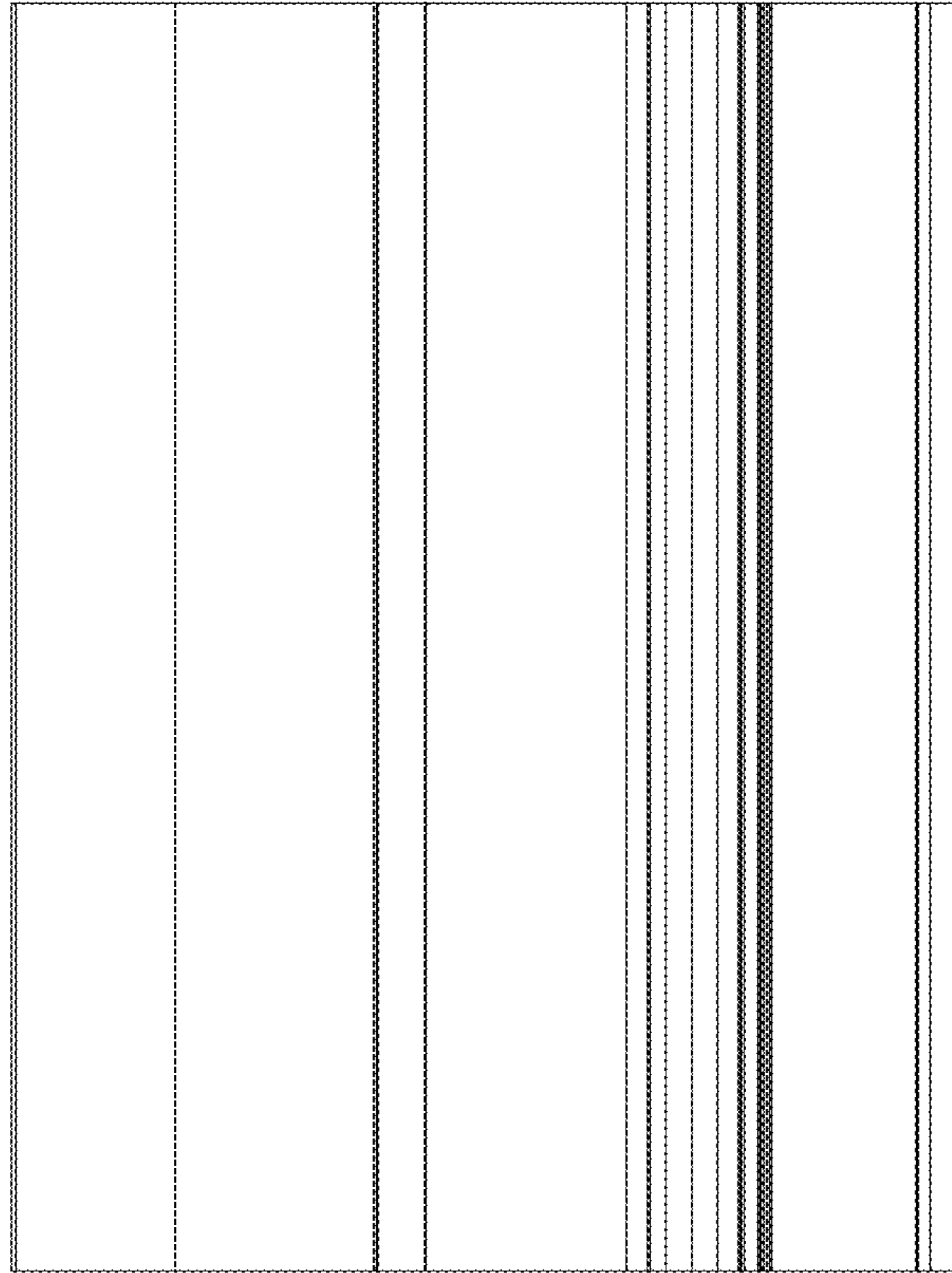


Fig. 6

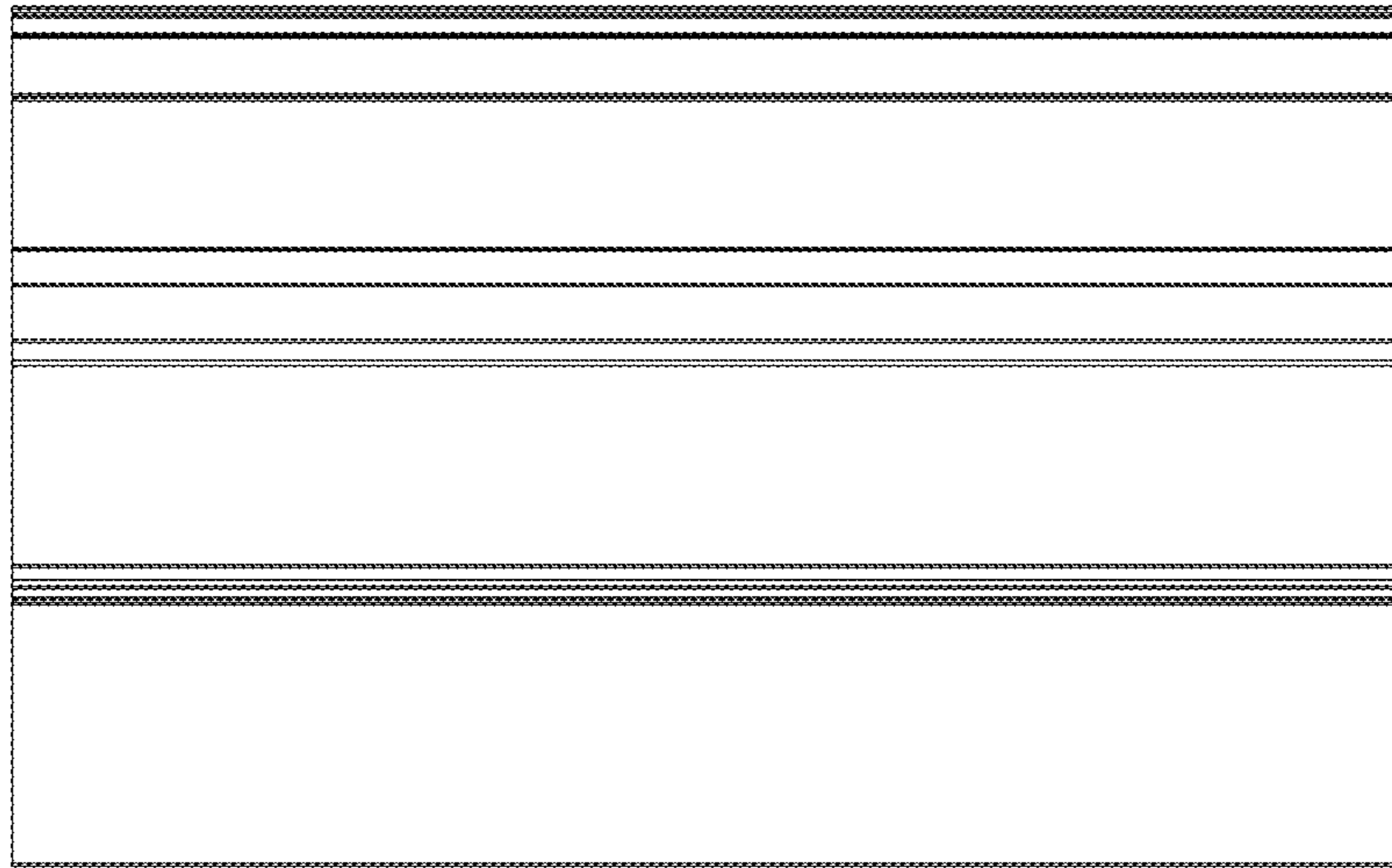


Fig. 7

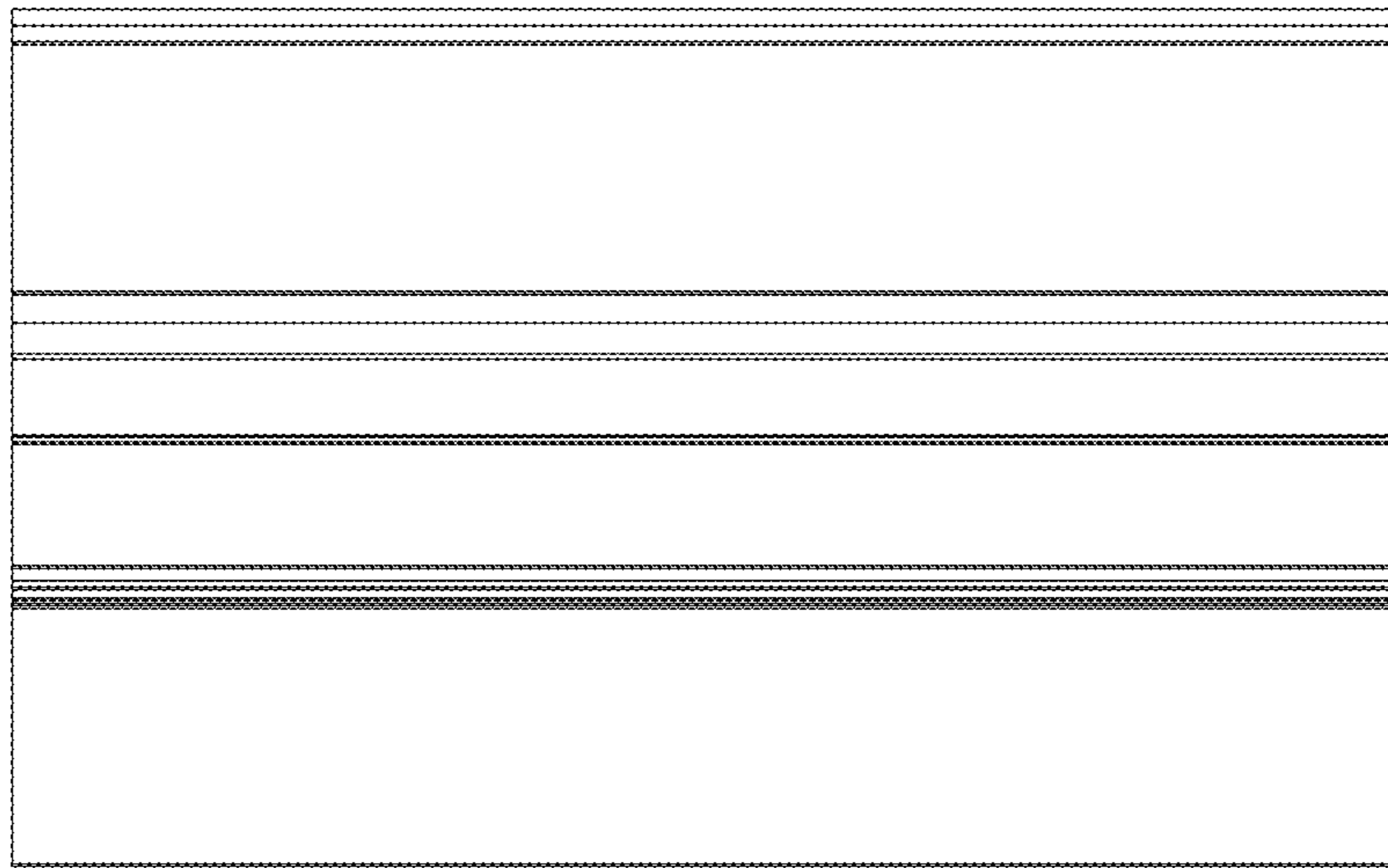


Fig. 8

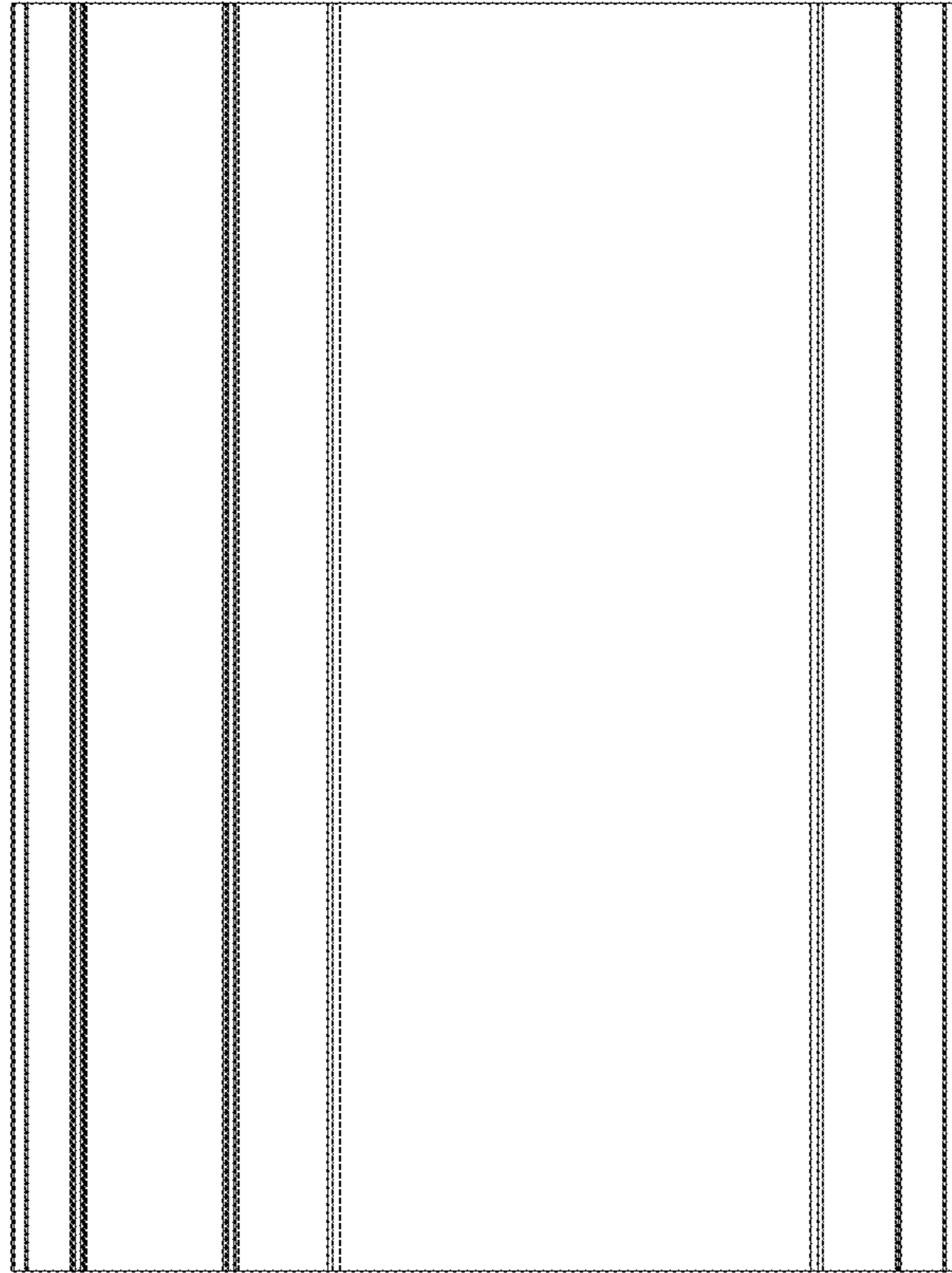


Fig. 9