



US00D907245S

(12) **United States Design Patent** (10) **Patent No.:** **US D907,245 S**
Rateike et al. (45) **Date of Patent:** **** Jan. 5, 2021**

- (54) **APPARATUS FOR DOCTORS, HOSPITALS AND LABORATORIES**
- (71) Applicant: **EUROIMMUN Medizinische Labordiagnostika AG**, Luebeck (DE)
- (72) Inventors: **Martin Rateike**, Pansdorf (DE); **Henry Wulf**, Grieben (DE)
- (73) Assignee: **EUROIMMUN Medizinische Labordiagnostika AG**, Luebeck (DE)
- (**) Term: **15 Years**
- (21) Appl. No.: **29/705,956**
- (22) Filed: **Sep. 17, 2019**
- (30) **Foreign Application Priority Data**
- Mar. 22, 2019 (EM) 006319323
- (51) **LOC (13) Cl.** **24-01**
- (52) **U.S. Cl.**
- USPC **D24/232**
- (58) **Field of Classification Search**
- USPC D24/107, 185, 186, 216–219, 231–234; D10/81

(Continued)

- (56) **References Cited**
- U.S. PATENT DOCUMENTS
- D515,707 S * 2/2006 Shinohara D24/216
- D646,189 S * 10/2011 Dinter D10/81

(Continued)

OTHER PUBLICATIONS

Official Gazette Publication 2545 published Oct. 15, 2019 in Brazilian Design Application No. BR 30 2019 004439-0 dated Sep. 19, 2019; p. 72/320.

(Continued)

Primary Examiner — Anhdao Doan

(74) *Attorney, Agent, or Firm* — Grüneberg and Myers PLLC

(57) **CLAIM**

The ornamental design for an apparatus for doctors, hospitals and laboratories, as shown and described.

DESCRIPTION

FIG. 1 is a top, front, right perspective view of a first embodiment of an apparatus for doctors, hospitals and laboratories;

FIG. 2 is a rear elevation view thereof;

FIG. 3 is a left elevation view thereof;

FIG. 4 is a top plan view thereof;

FIG. 5 is a right elevation view thereof;

FIG. 6 is a bottom plan view thereof;

FIG. 7 is a front elevation view thereof;

FIG. 8 is a top, front, right perspective view of a second embodiment of an apparatus for doctors, hospitals and laboratories;

FIG. 9 is a rear elevation view thereof;

FIG. 10 is a left elevation view thereof;

FIG. 11 is a top plan view thereof;

FIG. 12 is a right elevation view thereof;

FIG. 13 is a bottom plan view thereof;

FIG. 14 is a front elevation view thereof;

FIG. 15 is a top, front, right perspective view of a third embodiment of an apparatus for doctors, hospitals and laboratories;

FIG. 16 is a rear elevation view thereof;

FIG. 17 is a left elevation view thereof;

FIG. 18 is a top plan view thereof;

FIG. 19 is a right elevation view thereof;

FIG. 20 is a bottom plan view thereof;

FIG. 21 is a front elevation view thereof;

FIG. 22 is a top, front, right perspective view of a fourth embodiment of an apparatus for doctors, hospitals and laboratories;

FIG. 23 is a rear elevation view thereof;

FIG. 24 is a left elevation view thereof;

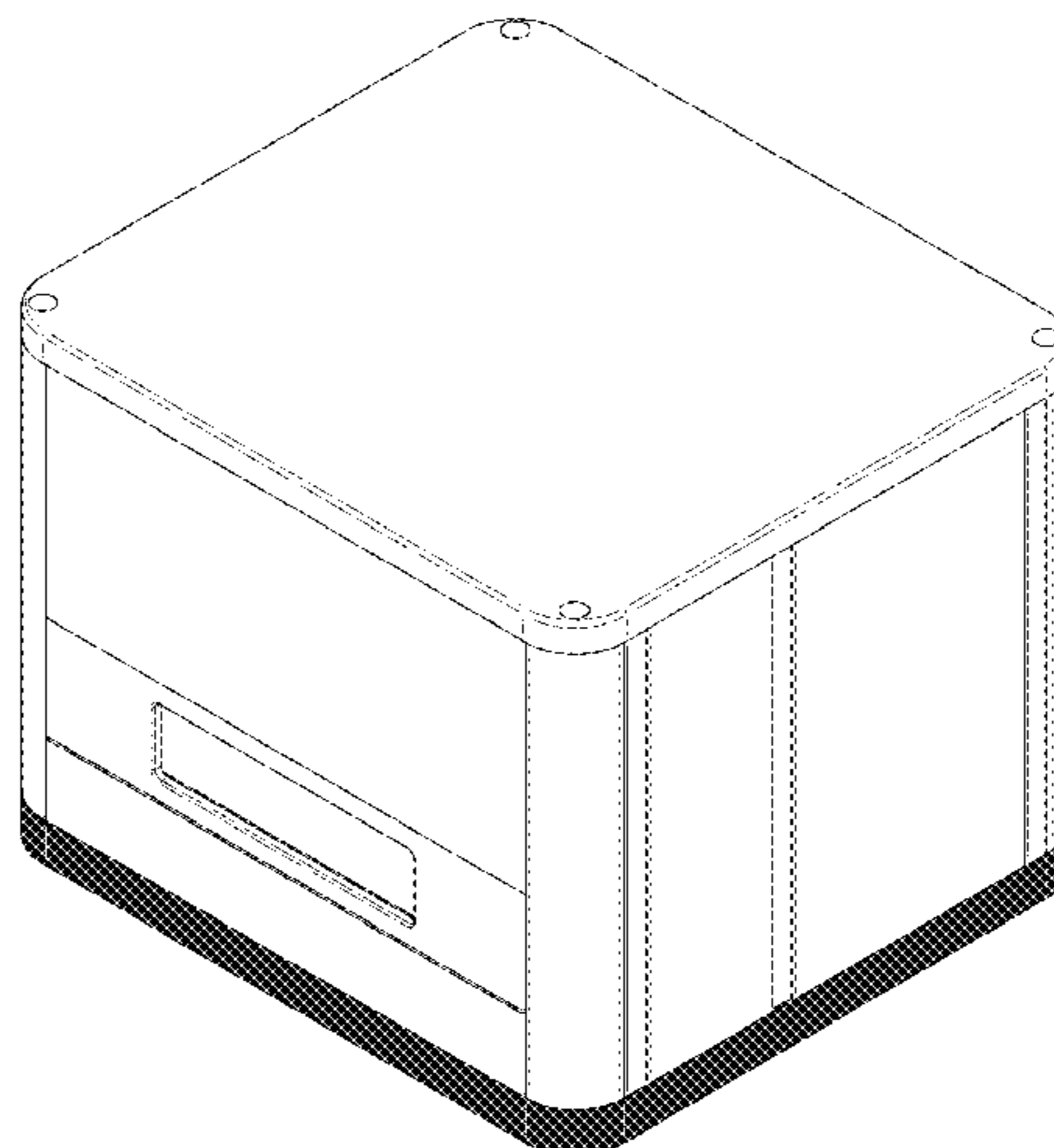
FIG. 25 is a top plan view thereof;

FIG. 26 is a right elevation view thereof;

FIG. 27 is a bottom plan view thereof; and,

FIG. 28 is a front elevation view thereof.

1 Claim, 16 Drawing Sheets



(58) **Field of Classification Search**

CPC G01N 2035/00306; G01N 2035/00326;
G01N 2035/00336; G01N 2030/027;
G01N 21/76; G01N 33/533; G01N
33/5302; G01N 33/569; G01N 21/6458;
G01N 21/6486; G01N 2021/6484

See application file for complete search history.

(56) **References Cited**

U.S. PATENT DOCUMENTS

D698,038	S	*	1/2014	Davis	D24/234
D705,944	S	*	5/2014	Chang	D24/216
D774,659	S	*	12/2016	Quackenbush	D24/216
D780,935	S	*	3/2017	Goos	D24/216
D843,005	S	*	3/2019	Kobeli	D24/216
D875,963	S	*	2/2020	Gruen	D24/216
D883,510	S	*	5/2020	Neuman	D24/216
D888,985	S	*	6/2020	Hsieh	D24/232
2016/0161428	A1	*	6/2016	Takahara G01N 23/223	378/44

OTHER PUBLICATIONS

Official Gazette Publication 2560 published Jan. 28, 2020 in Brazilian Design Application No. BR 30 2019 004439-0 dated Sep. 19, 2019; p. 63/203.

* cited by examiner

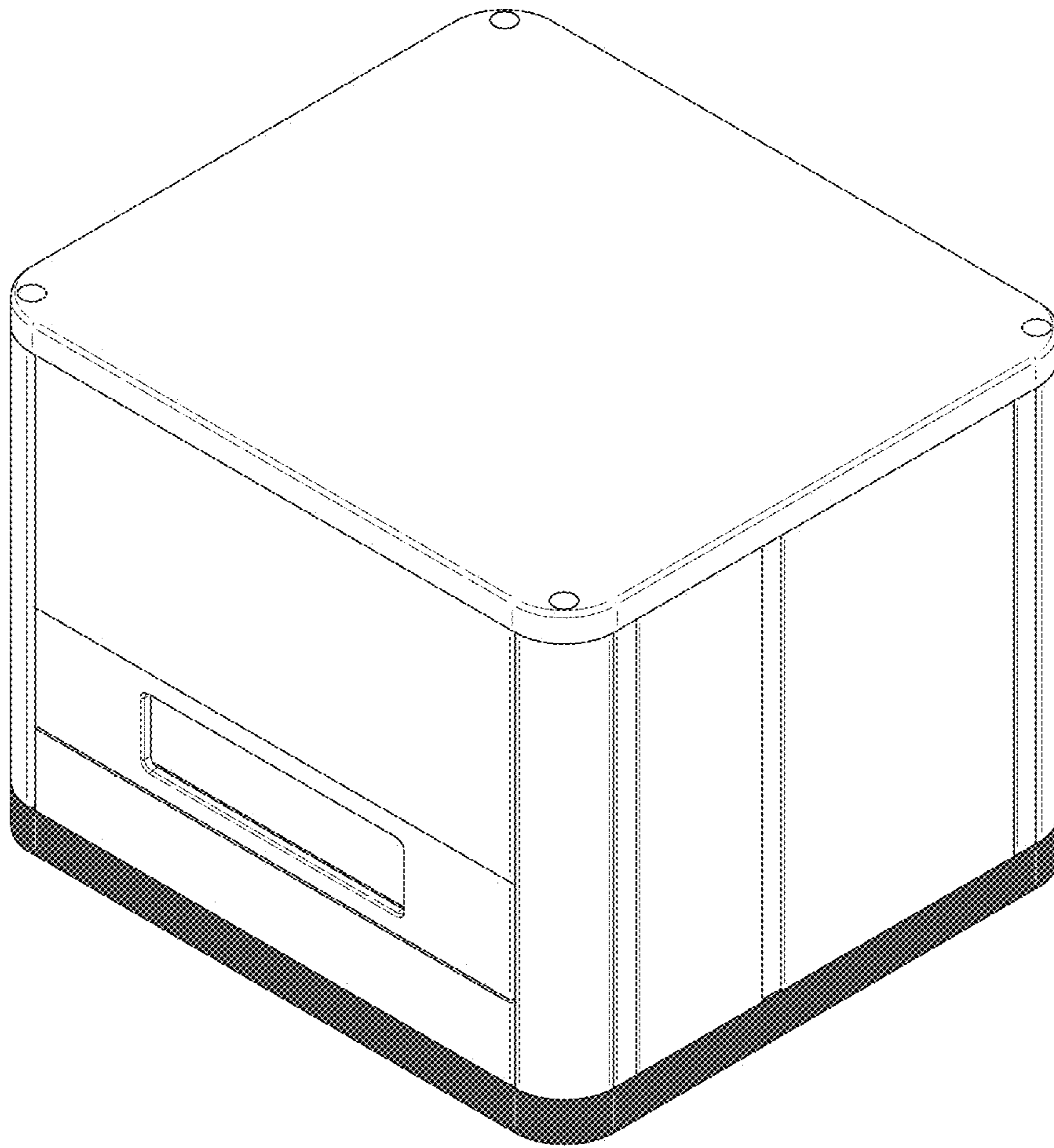


FIG. 1



FIG. 2

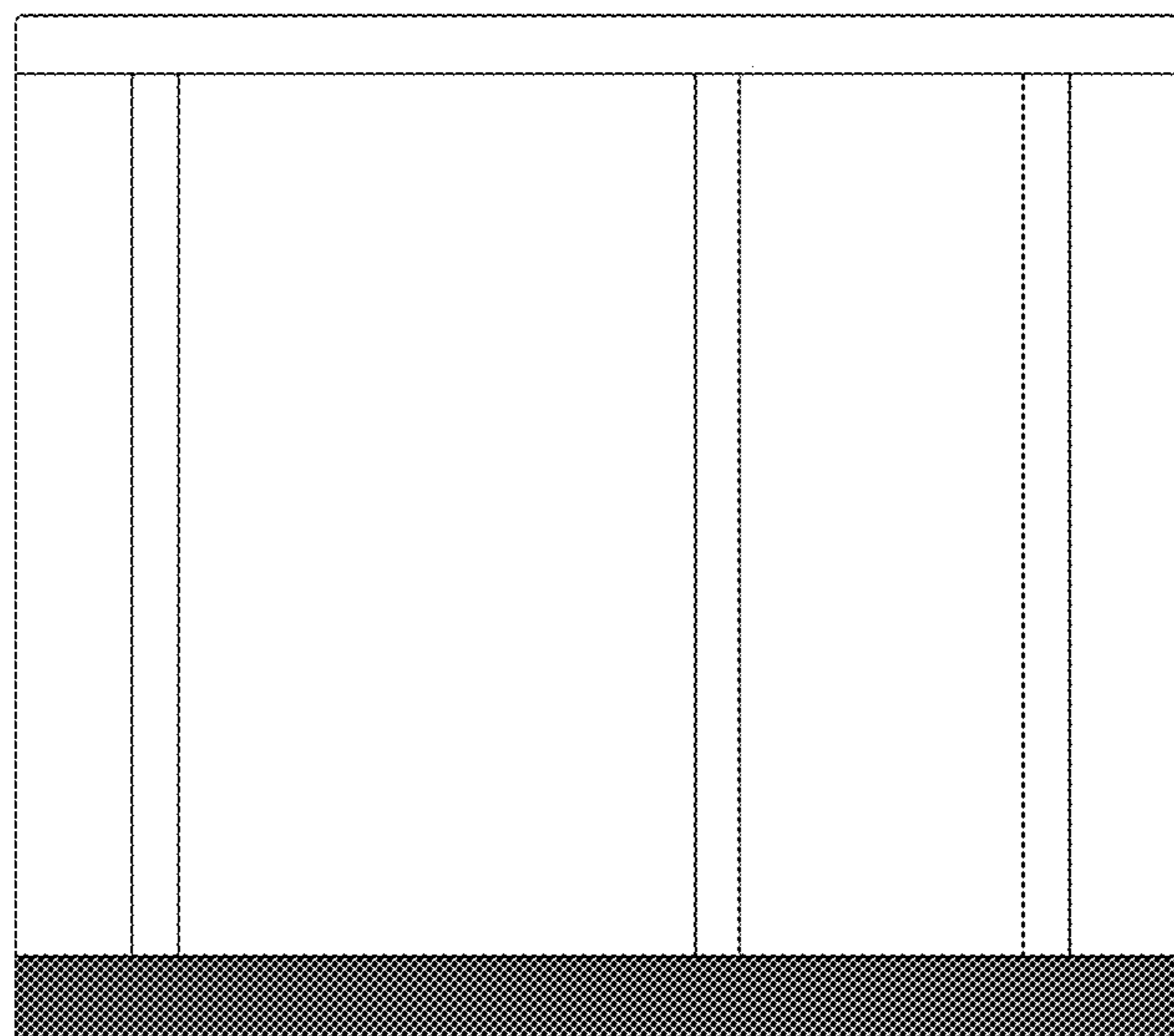


FIG. 3

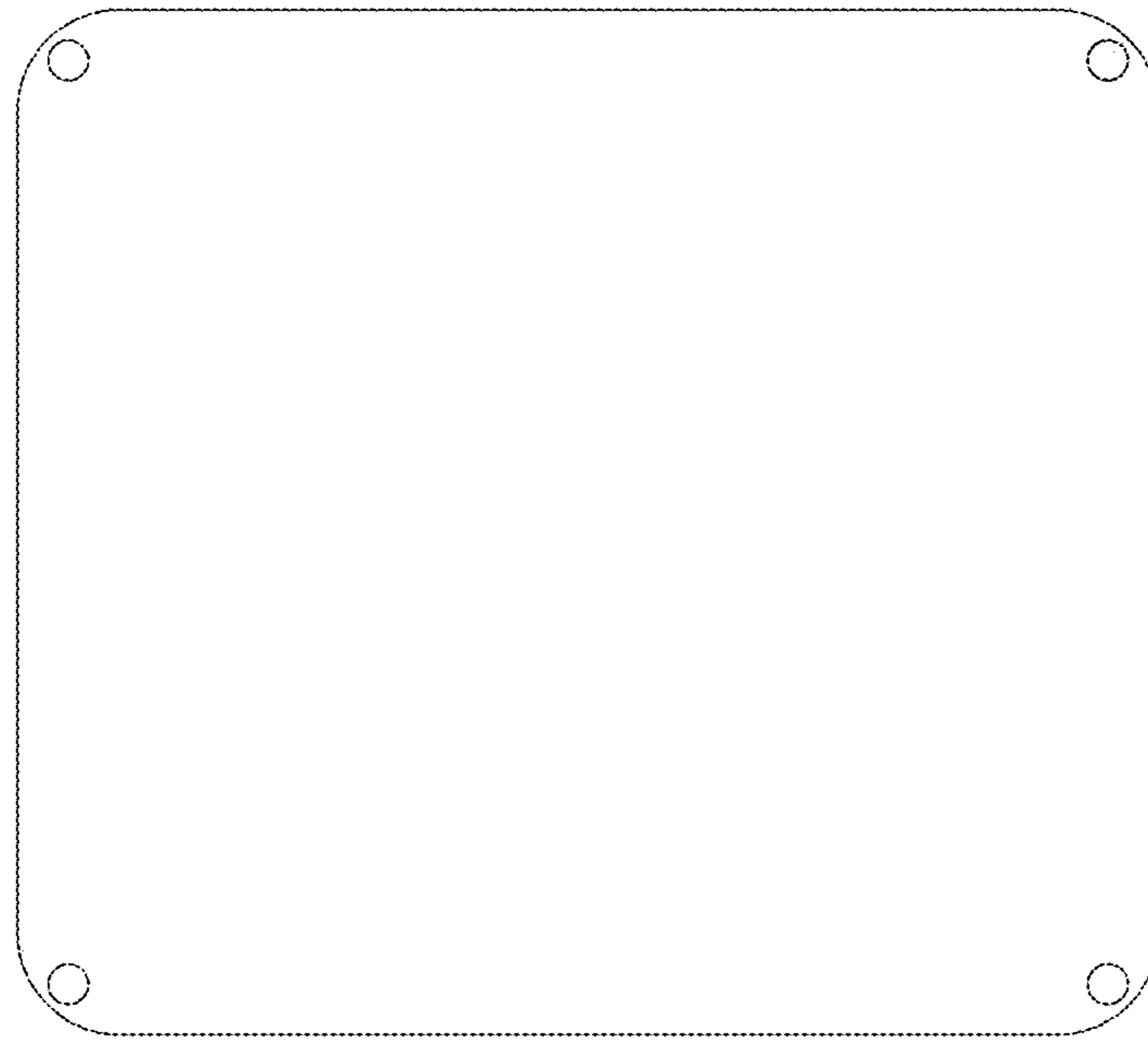


FIG. 4

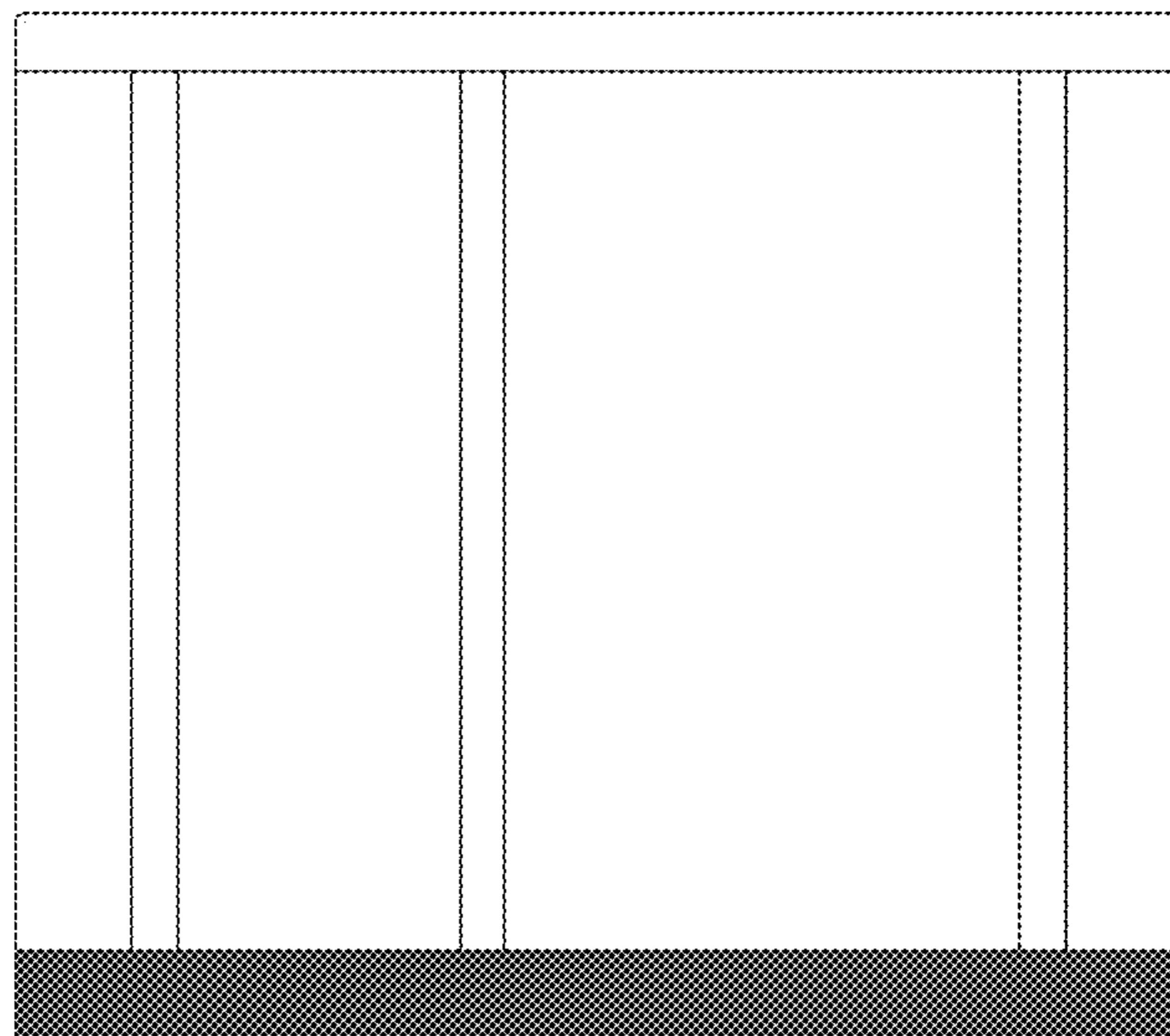


FIG. 5

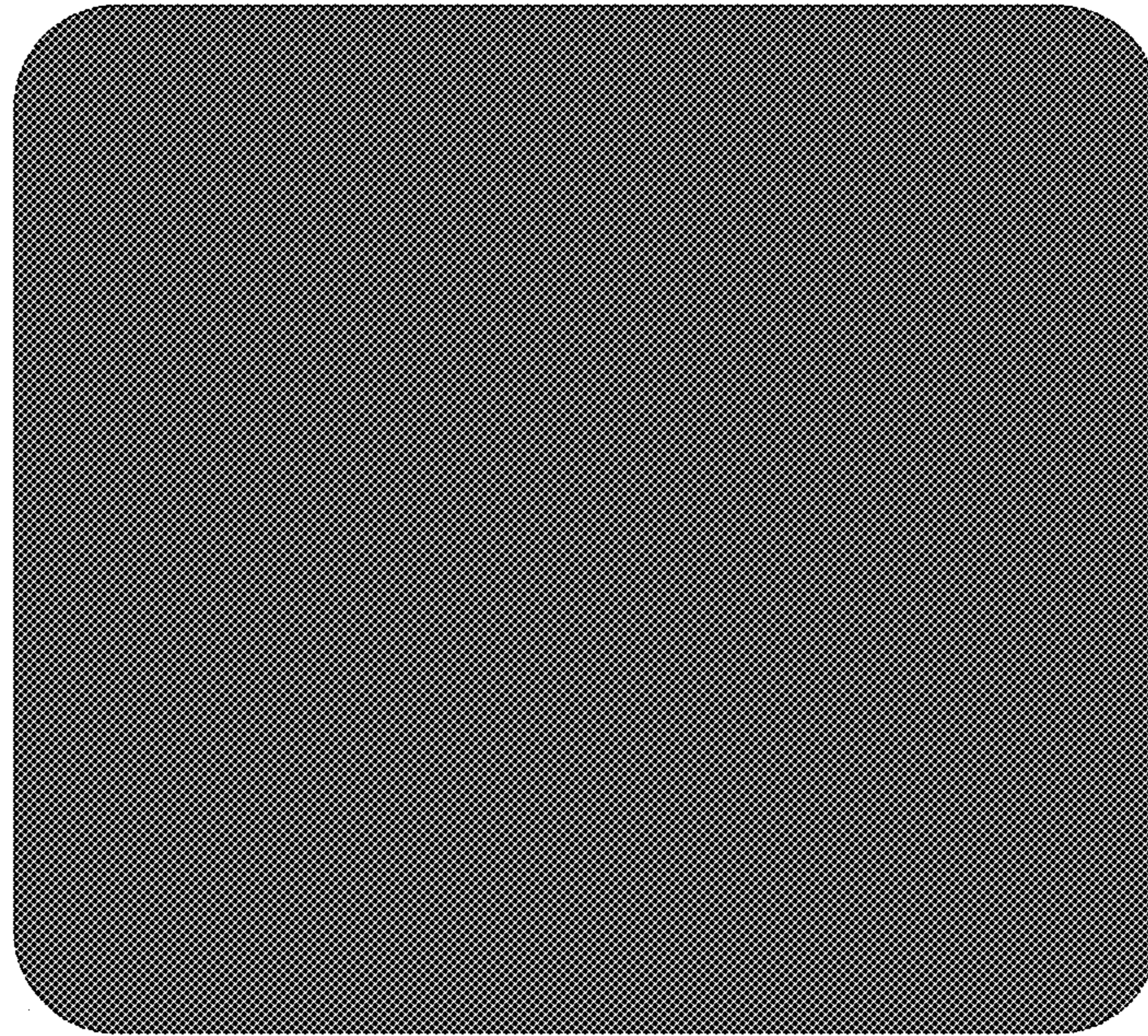


FIG. 6

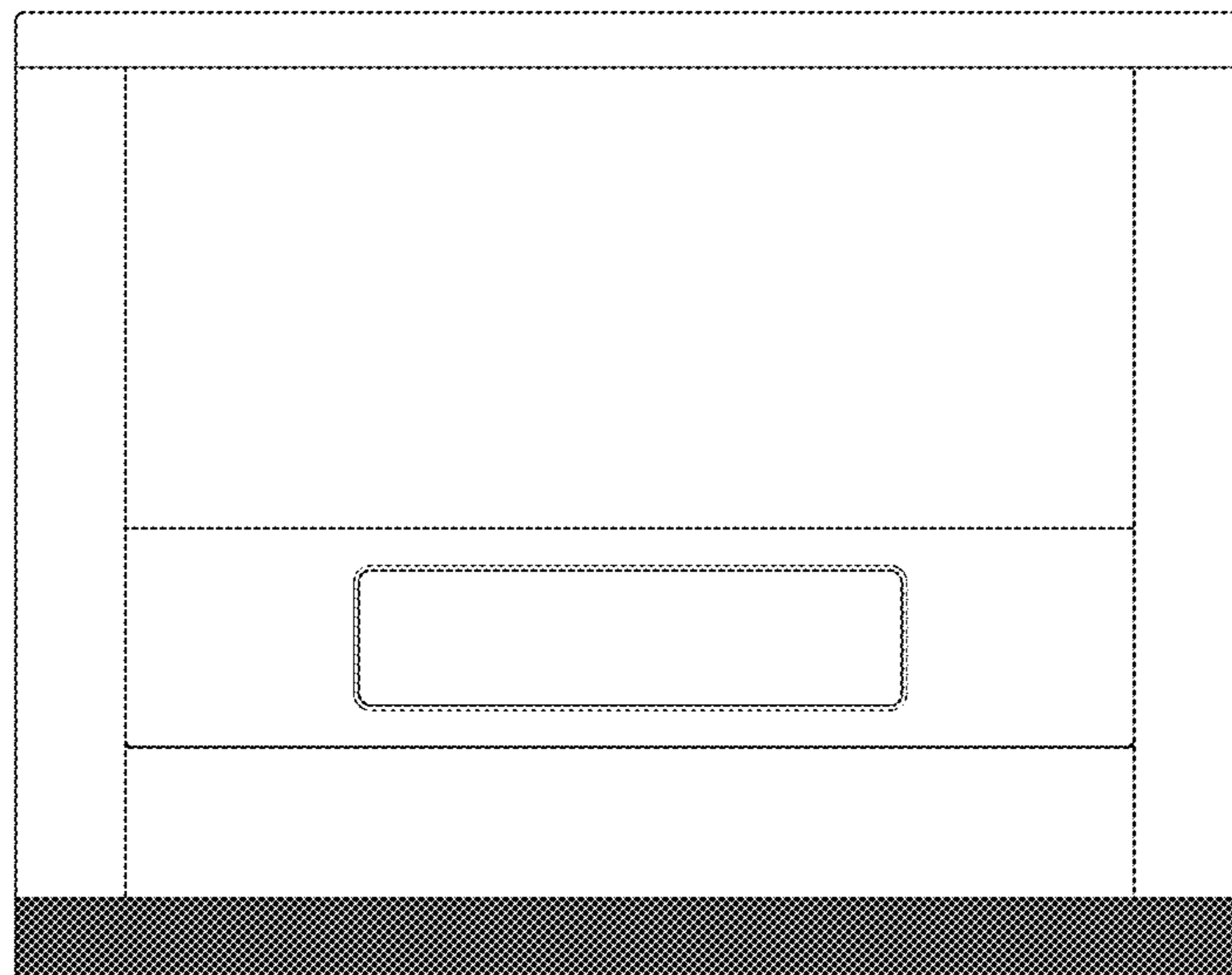


FIG. 7

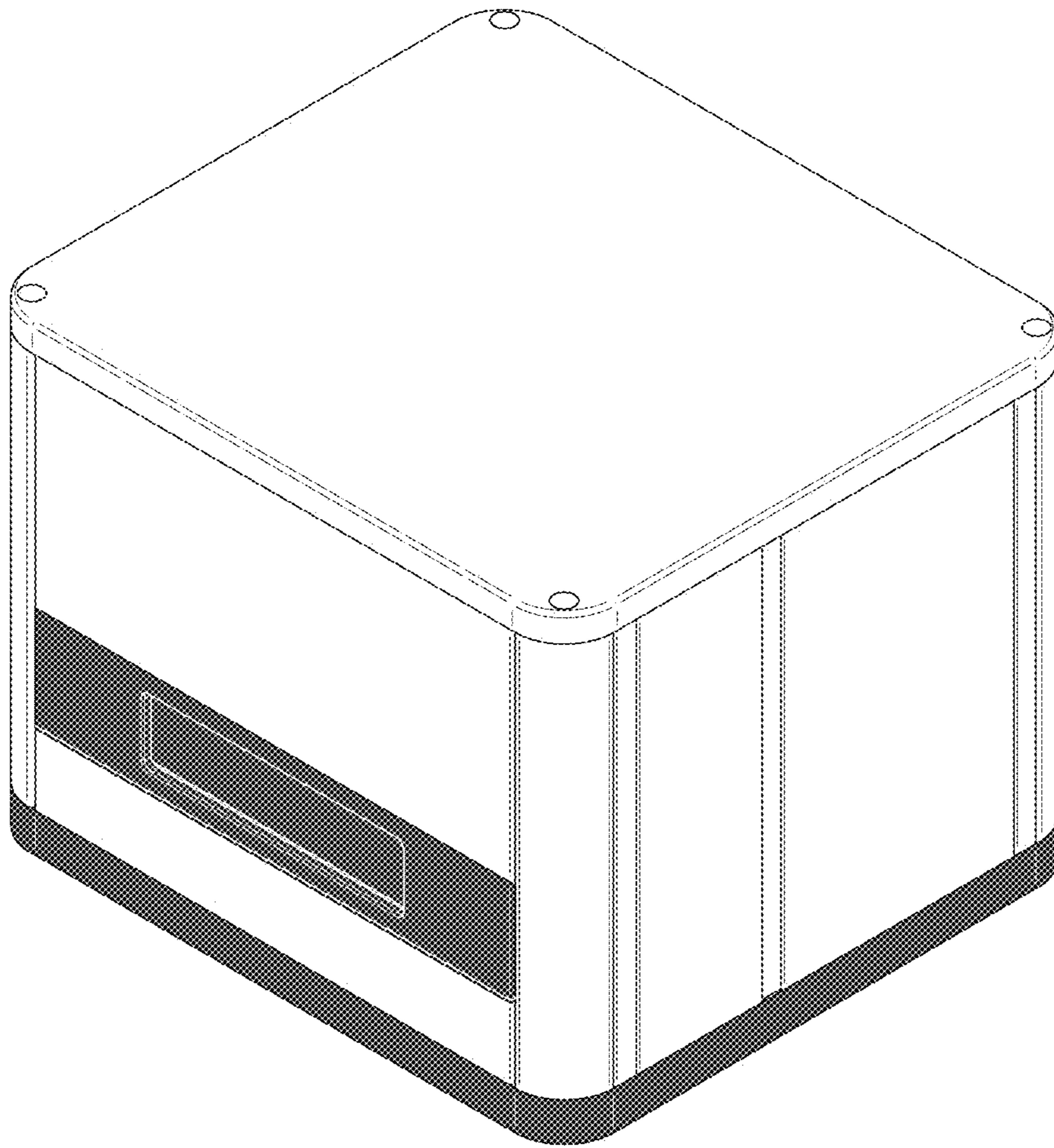


FIG. 8



FIG. 9

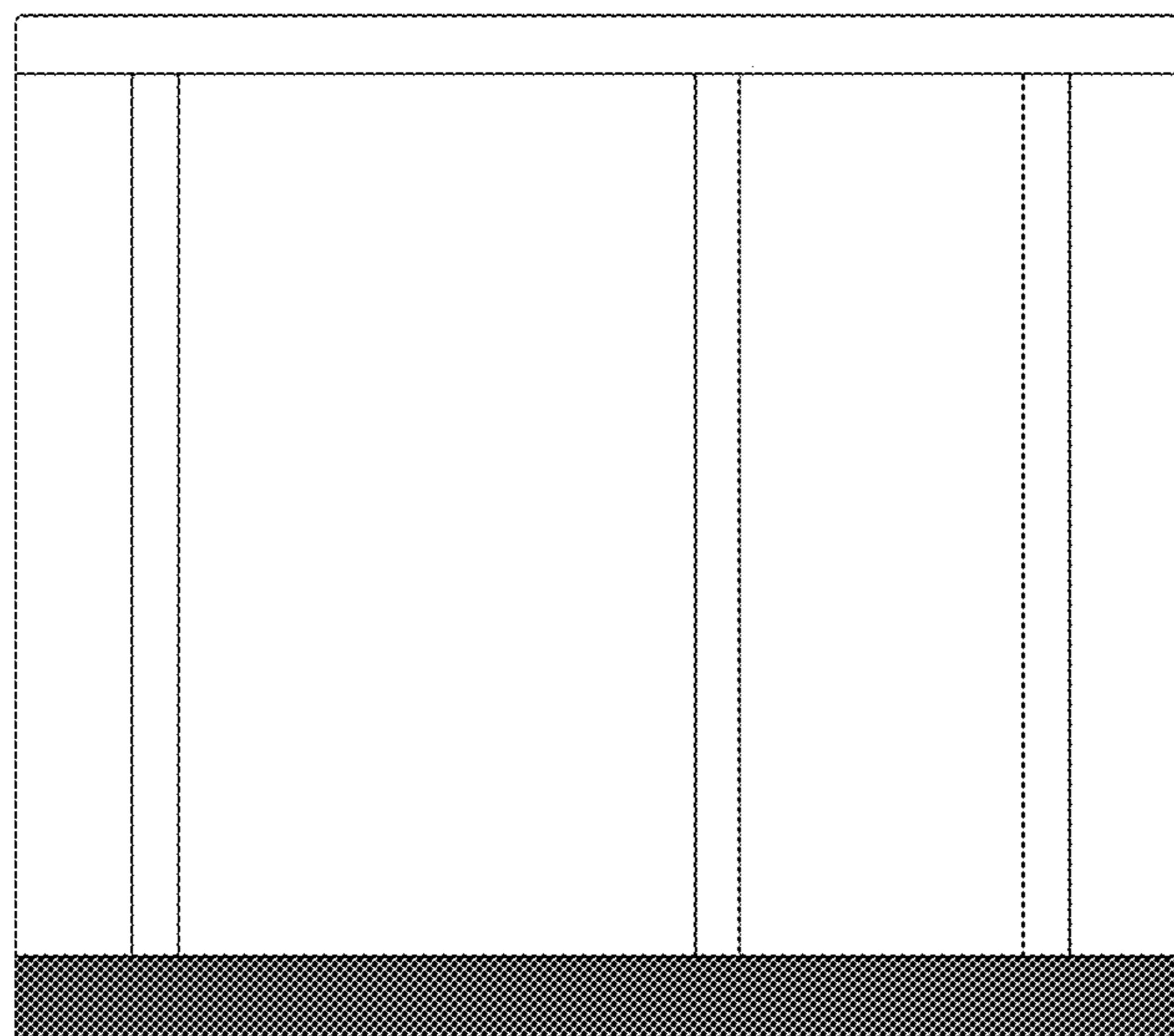


FIG. 10

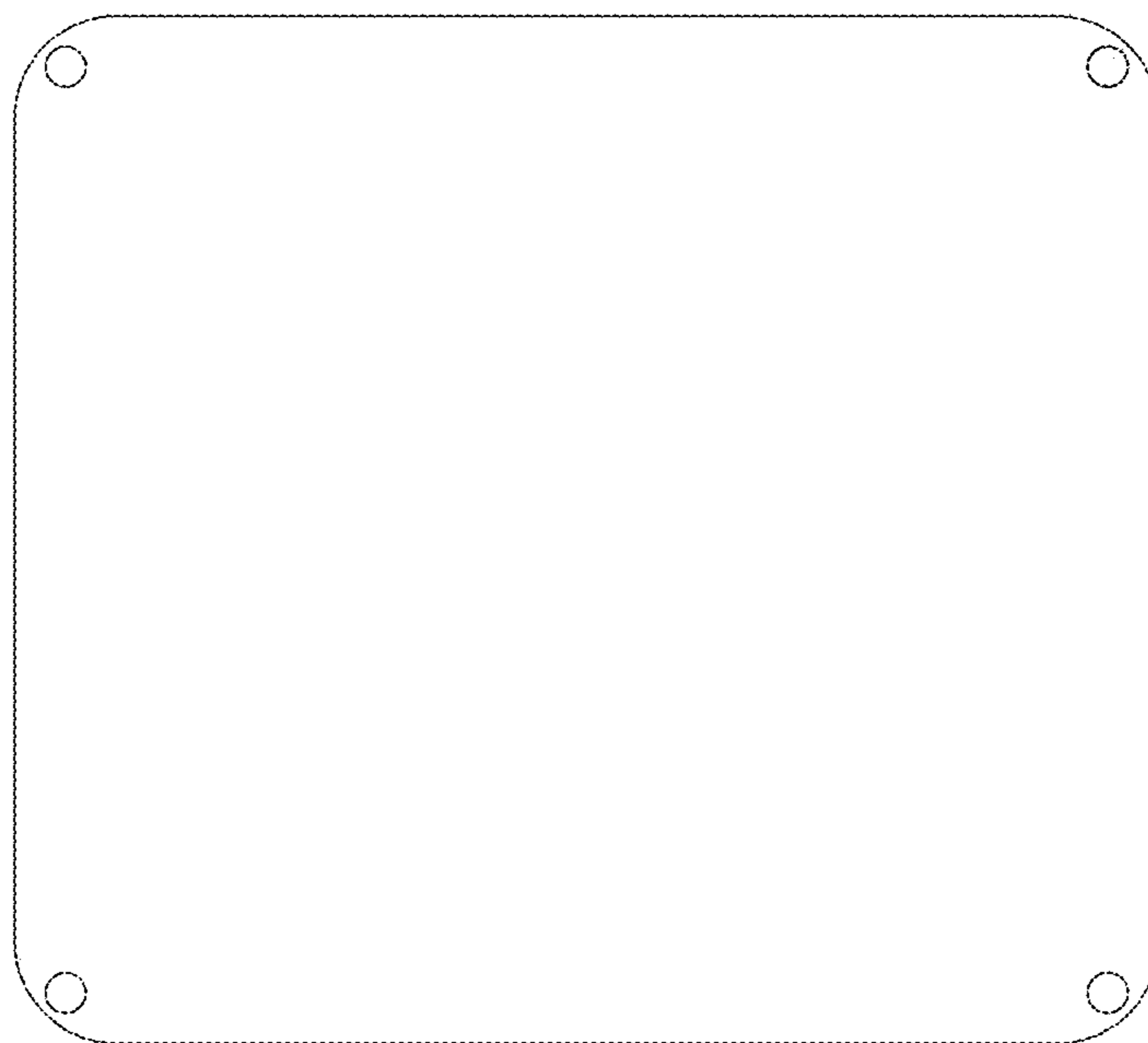


FIG. 11

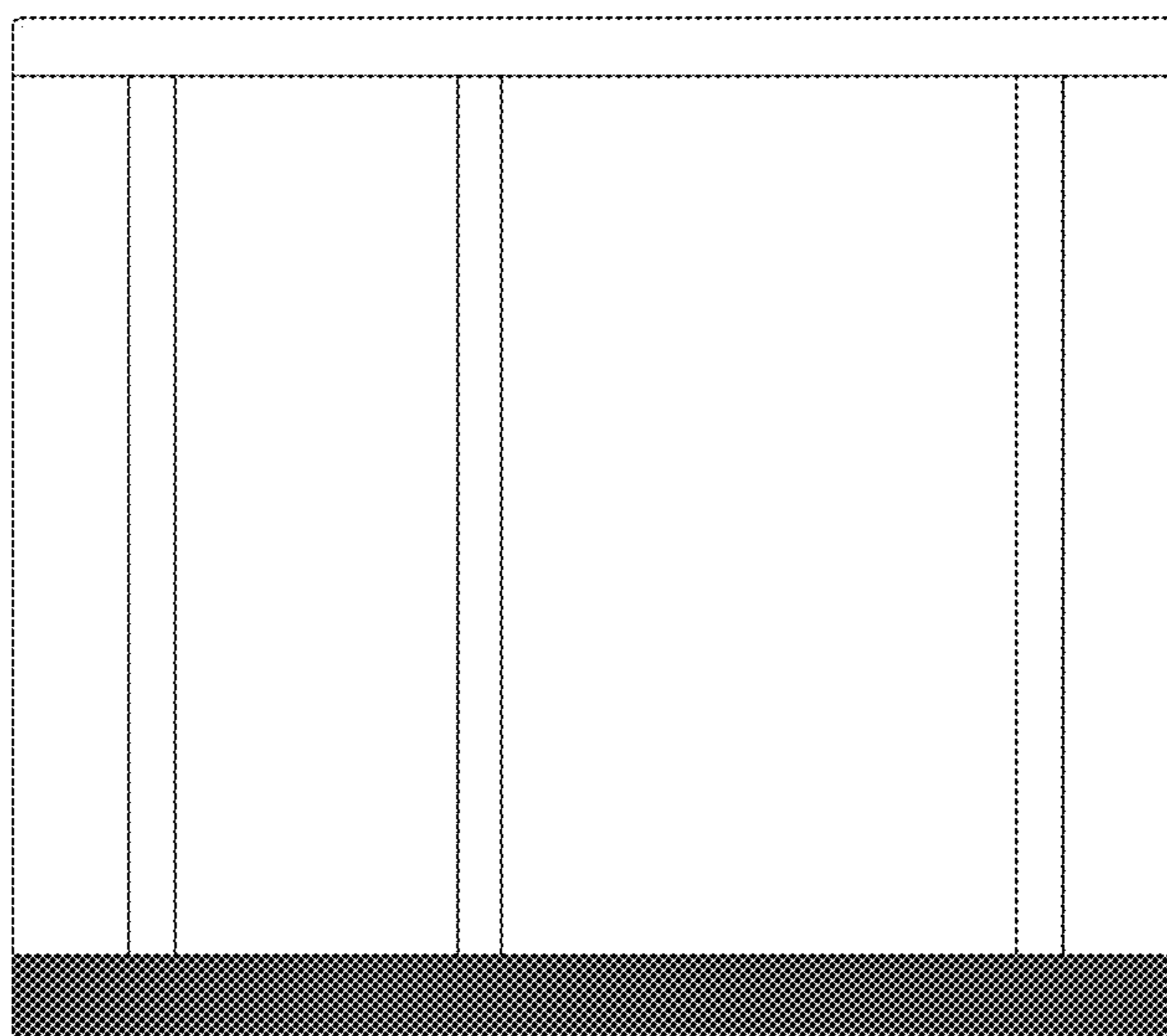


FIG. 12



FIG. 13



FIG. 14

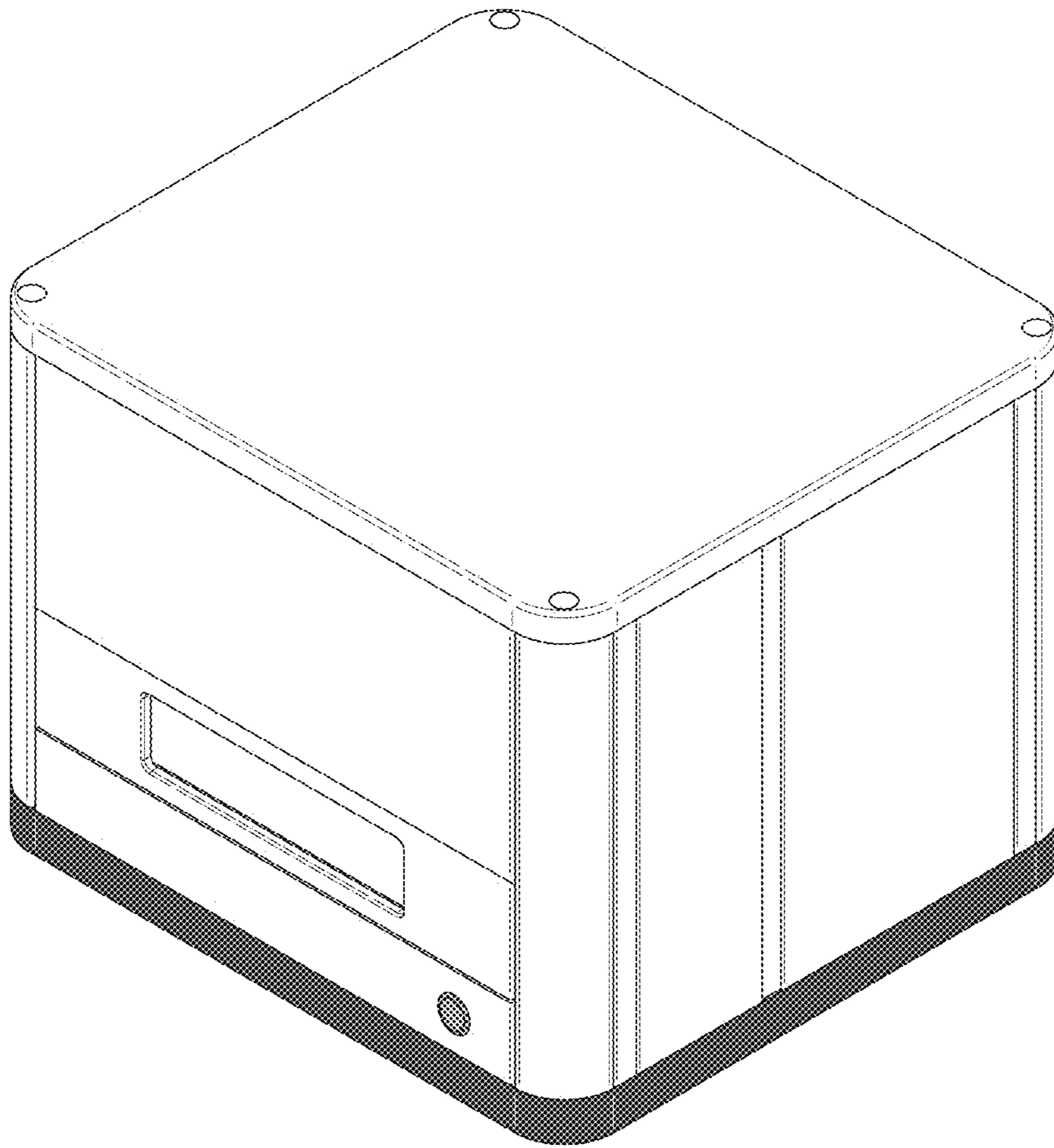


FIG. 15



FIG. 16

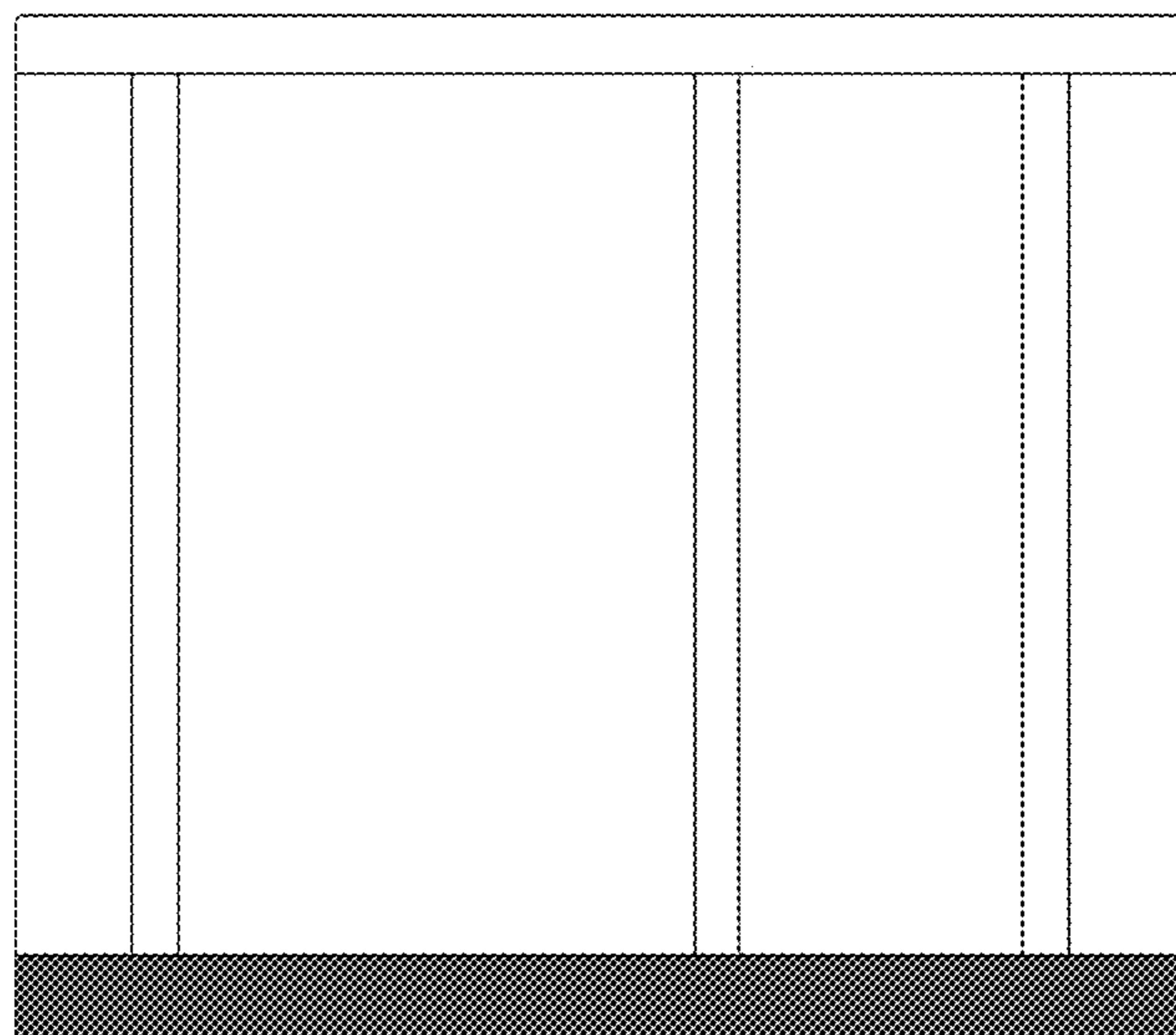


FIG. 17

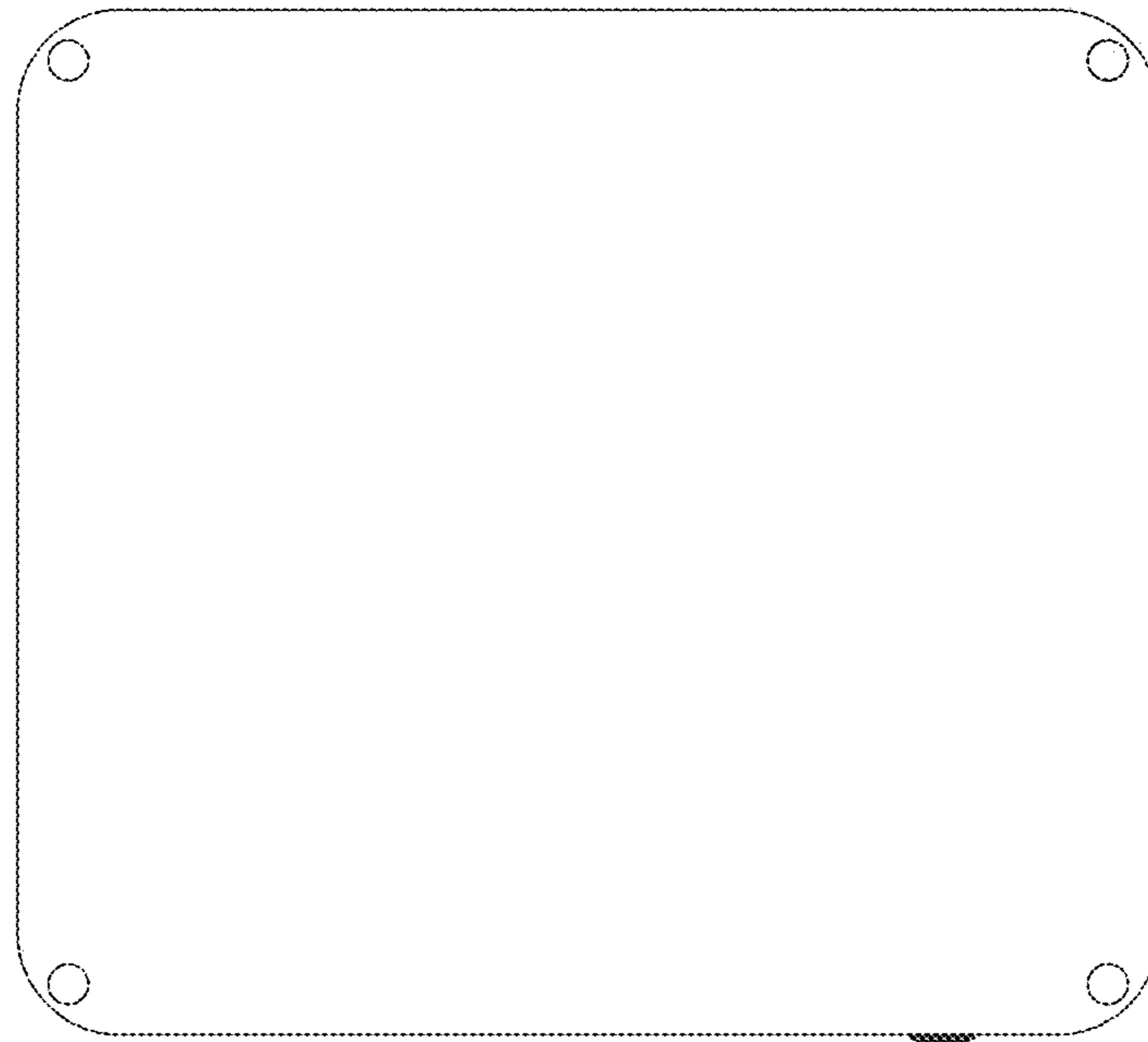


FIG. 18

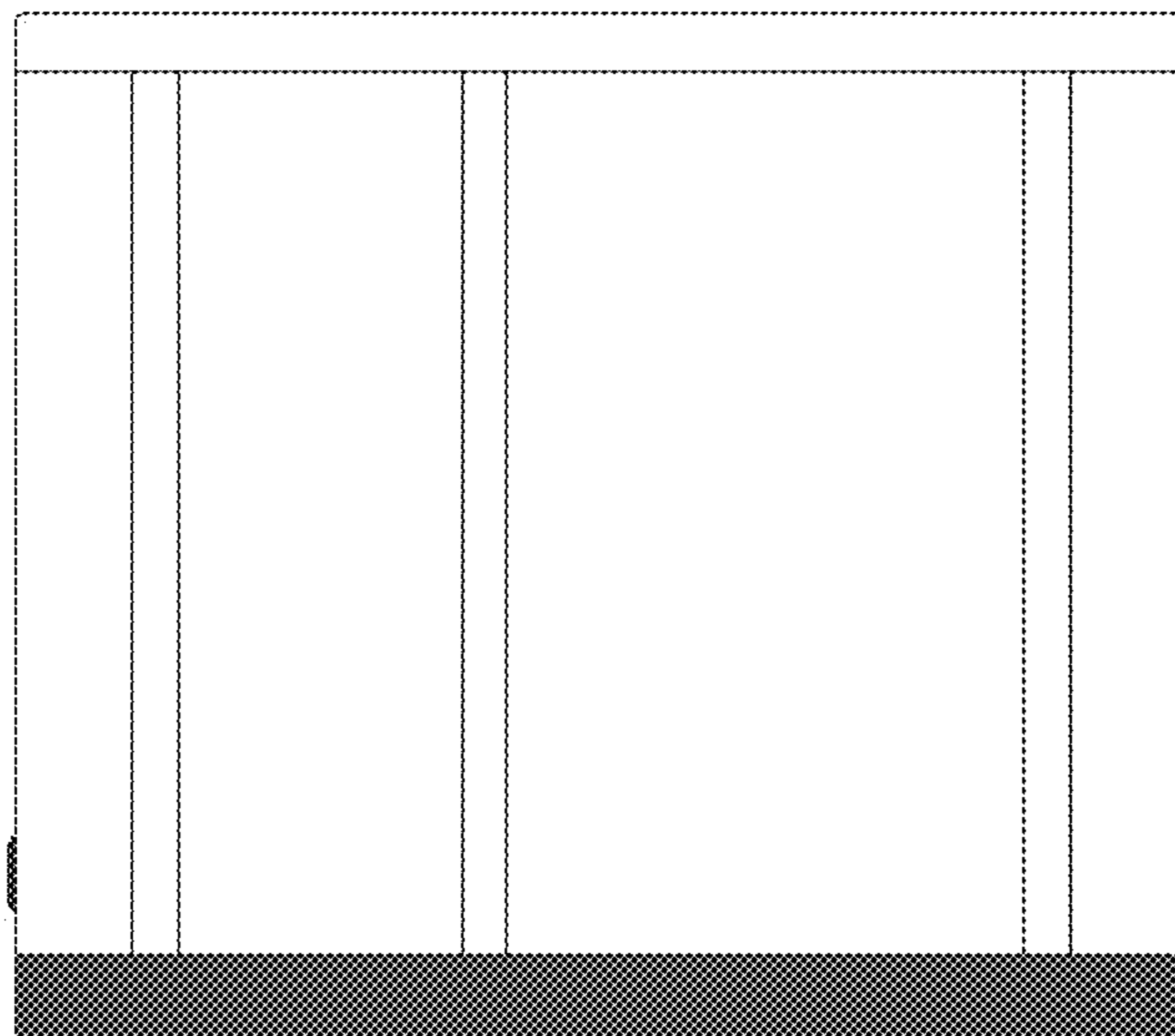


FIG. 19

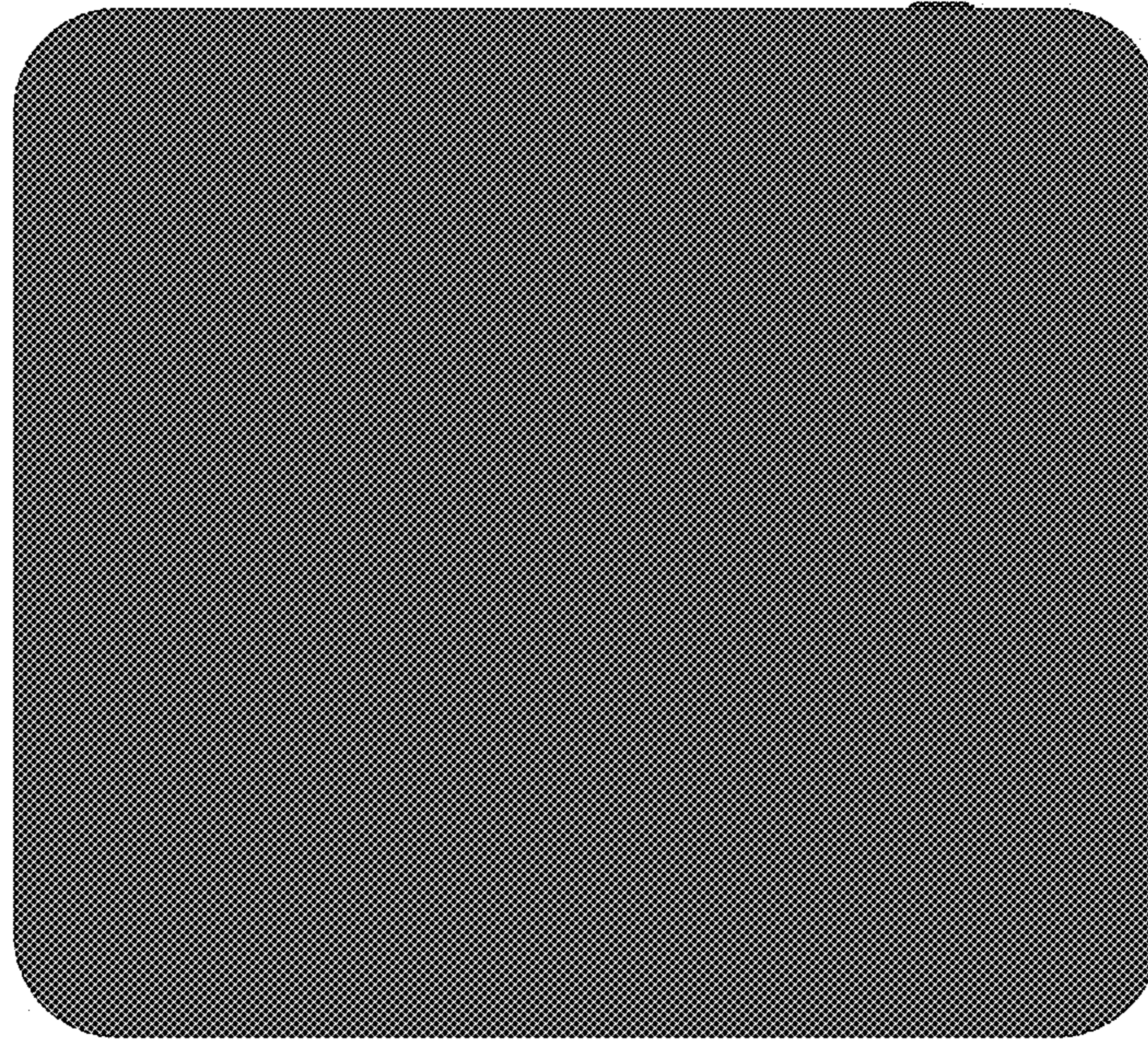


FIG. 20

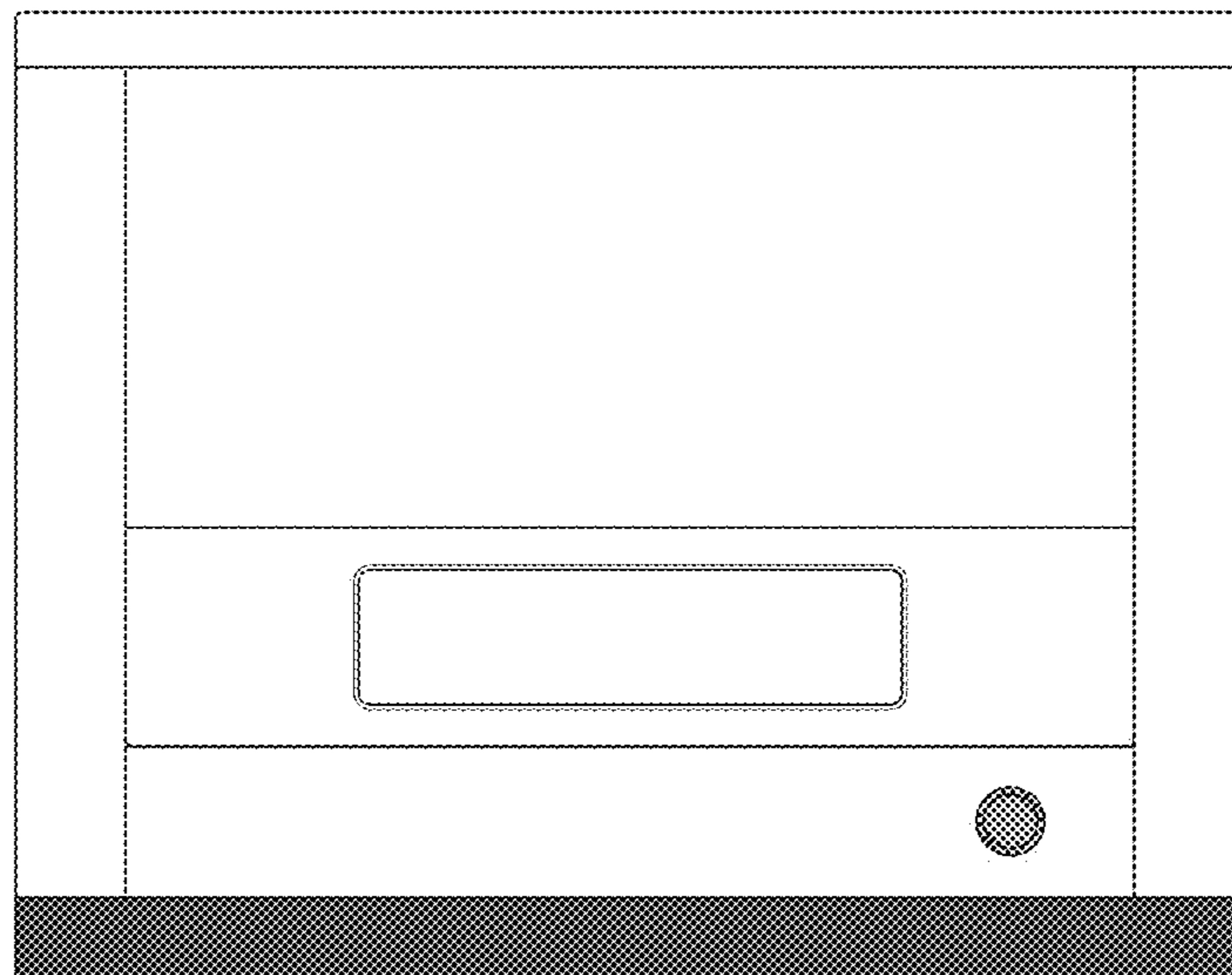


FIG. 21

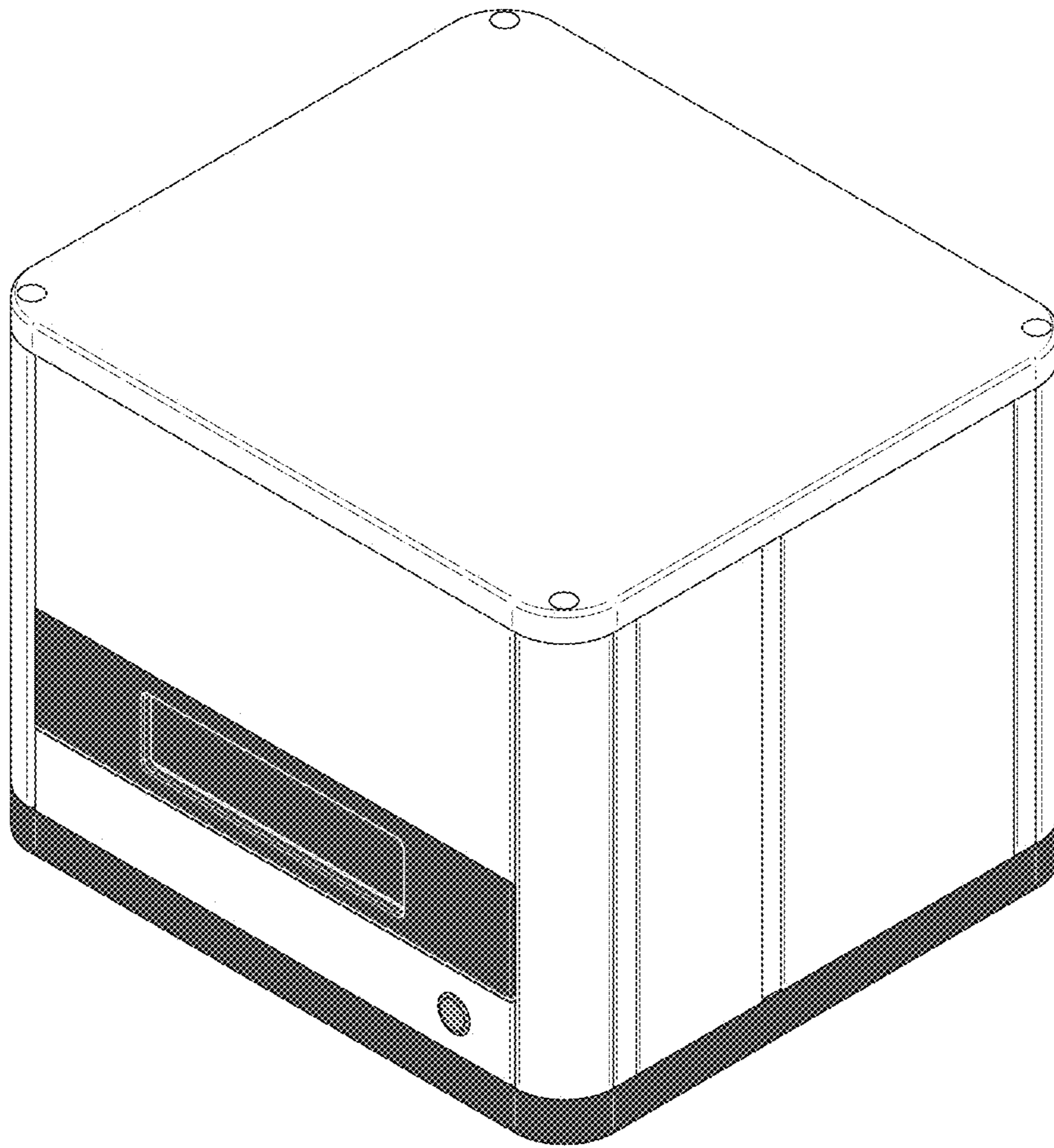


FIG. 22



FIG. 23

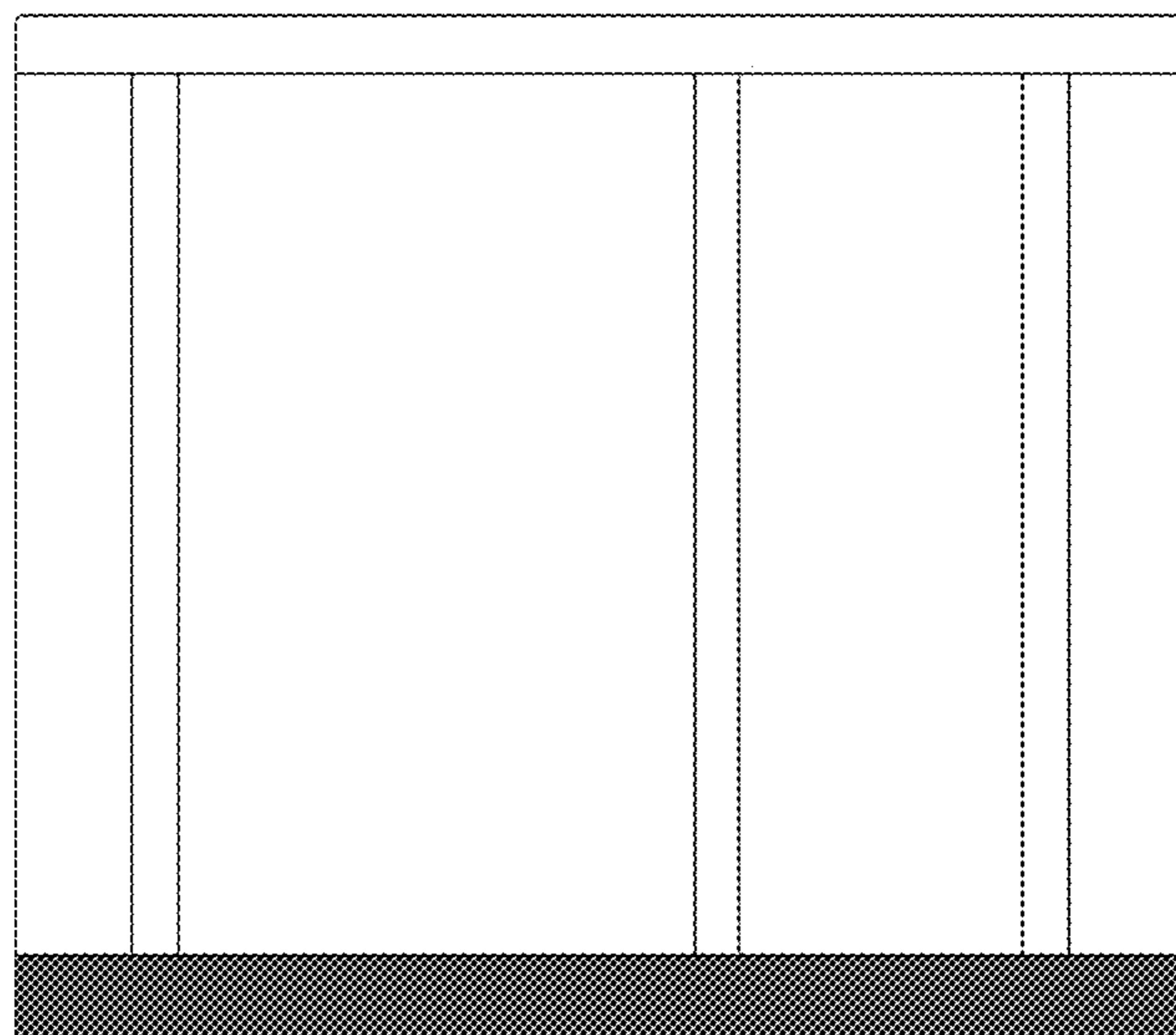


FIG. 24

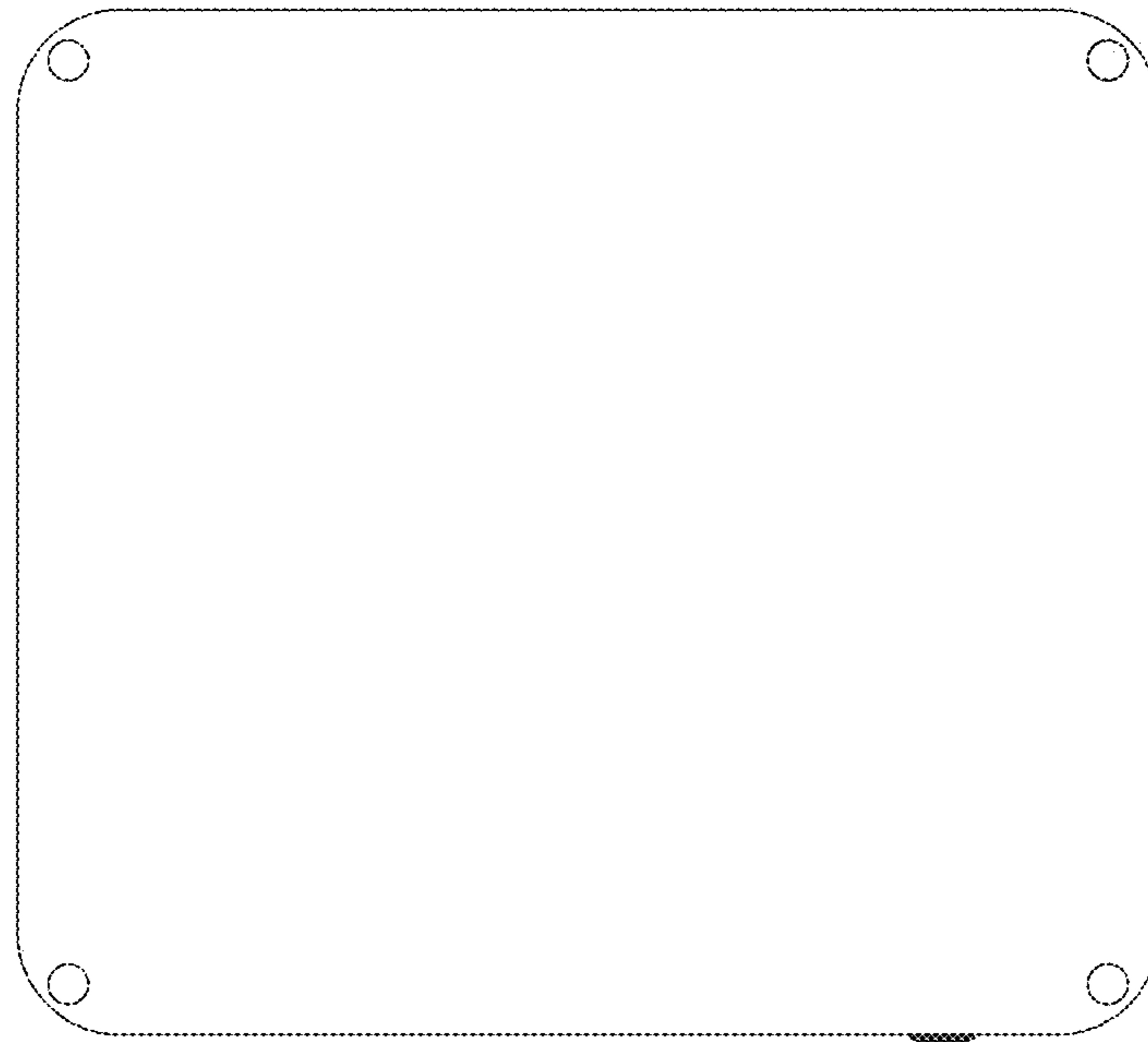


FIG. 25

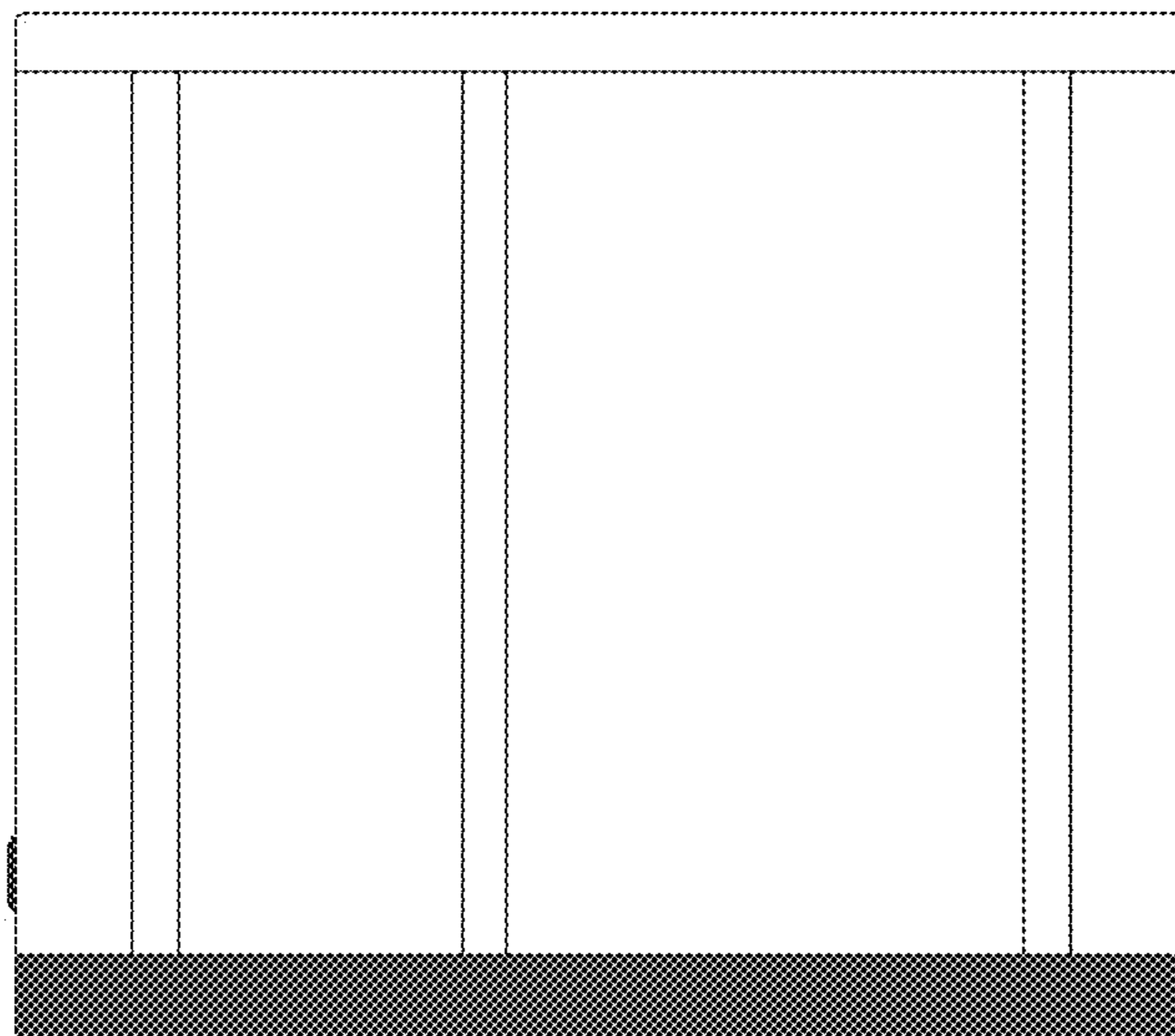


FIG. 26

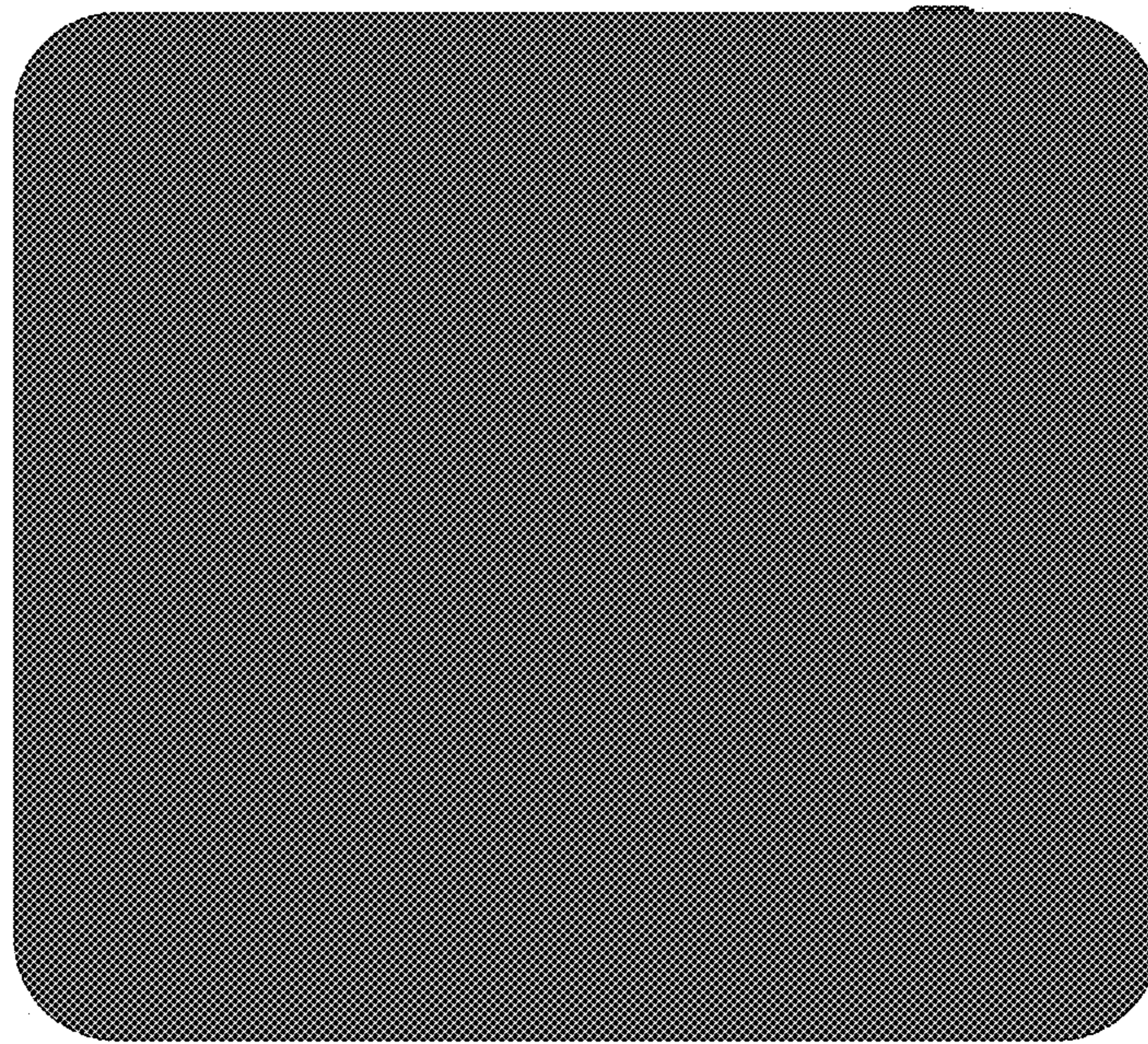


FIG. 27

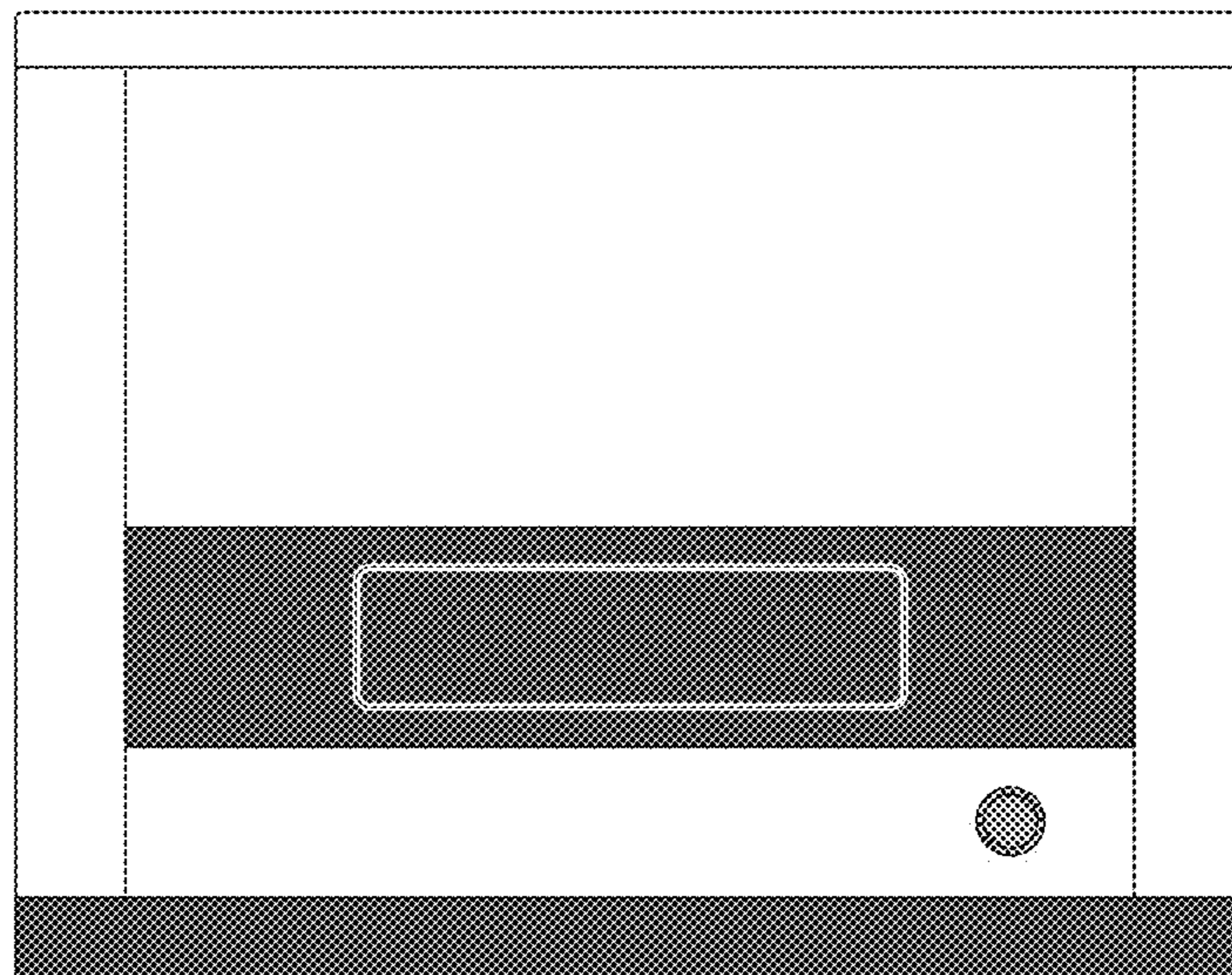


FIG. 28