



US00D907244S

(12) **United States Design Patent** (10) **Patent No.:** **US D907,244 S**
Sydowski (45) **Date of Patent:** **** Jan. 5, 2021**

(54) **CELL IMAGER**

2006/0250236 A1 11/2006 Ackley et al.
2006/0275896 A1 12/2006 Anderson et al.
2007/0243117 A1 10/2007 Wardlaw

(71) Applicant: **EMD Millipore Corporation**,
Burlington, MA (US)

(Continued)

(72) Inventor: **Paul Sydowski**, Danvers, MA (US)

FOREIGN PATENT DOCUMENTS

(73) Assignee: **EMD Millipore Corporation**,
Burlington, MA (US)

CN 101048492 A 10/2007
CN 101300340 A 11/2008

(Continued)

(**) Term: **15 Years**

OTHER PUBLICATIONS

(21) Appl. No.: **29/694,923**

International Search Report and Written Opinion dated Jun. 17,
2011 in co-pending PCT application No. PCT/US2011/000111.

(22) Filed: **Jun. 14, 2019**

(Continued)

(51) **LOC (13) Cl.** **24-01**

(52) **U.S. Cl.**
USPC **D24/232**

(58) **Field of Classification Search**
USPC D24/107, 185, 186, 216–219, 231–234,
D24/158; D10/81; D16/131
CPC G01N 2035/00306; G01N 2035/00326;
G01N 2035/00336; G01N 2030/027;
G01N 21/76; G01N 21/6428; G01N
21/645; G01N 2201/068; C12Q 1/686;
B01L 7/52

Primary Examiner — Anhdao Doan

(74) *Attorney, Agent, or Firm* — Nields, Lemack &
Frame, LLC

See application file for complete search history.

(57) **CLAIM**

The ornamental design for a cell imager, as shown and
described.

(56) **References Cited**

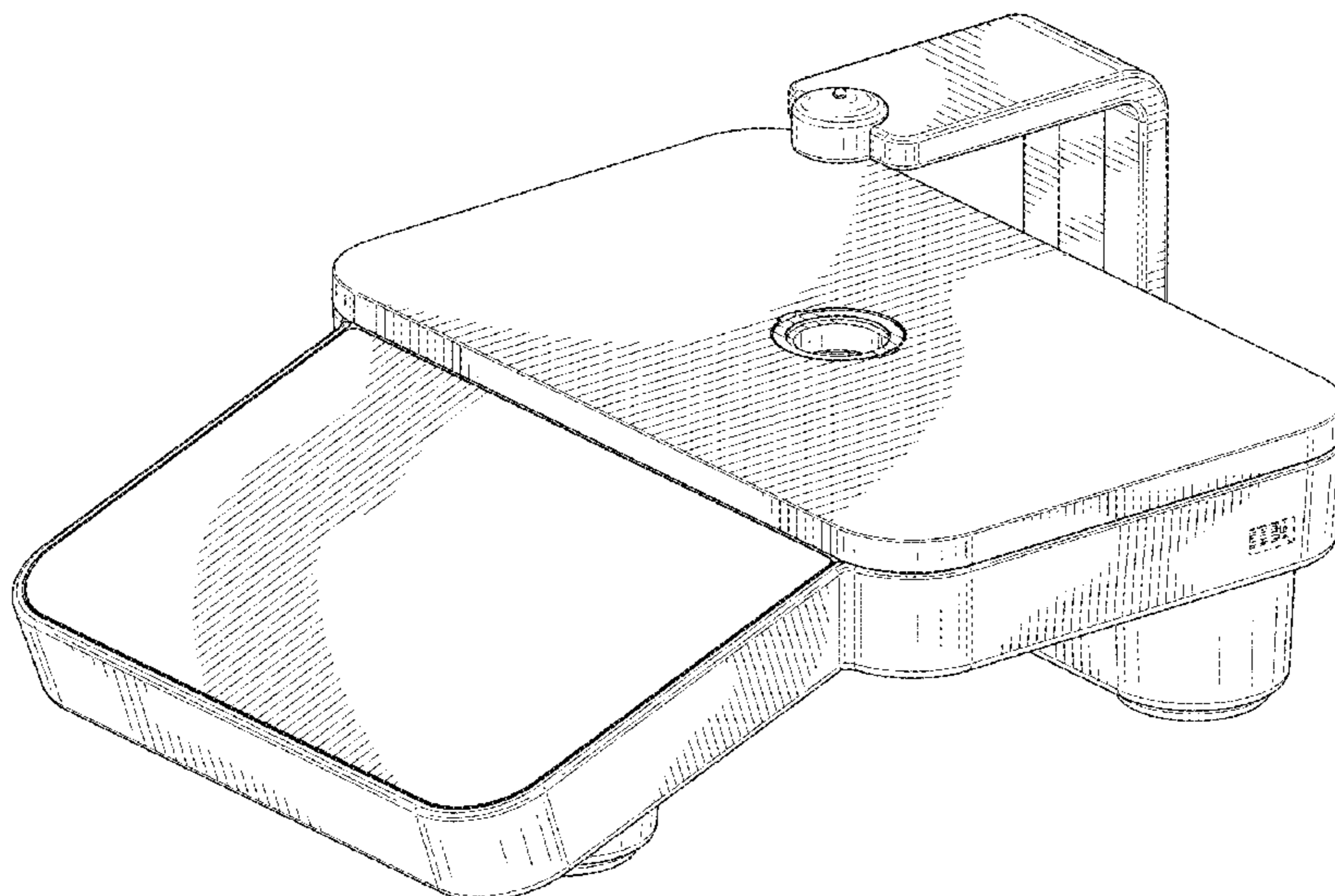
DESCRIPTION

U.S. PATENT DOCUMENTS

7,015,031 B2	3/2006	Cecchi et al.	
D695,801 S *	12/2013	Hagmann	D16/131
D700,710 S *	3/2014	Meziere	D24/216
D719,039 S *	12/2014	Chang	D10/81
D780,927 S *	3/2017	Masuda	D24/158
D780,935 S *	3/2017	Goos	D24/216
D863,216 S *	10/2019	Kjaer	D13/102
D872,789 S *	1/2020	Haavisto	D16/131
D874,017 S *	1/2020	Jenoski	D24/216
D889,657 S *	7/2020	Hasebe	D24/158
2003/0138942 A1	7/2003	Cecchi et al.	
2004/0152188 A1	8/2004	Yamamoto et al.	

FIG. 1 is a top perspective view of the cell imager;
FIG. 2 is a bottom perspective view of the cell imager;
FIG. 3 is a front view of the cell imager;
FIG. 4 is a rear view of cell imager;
FIG. 5 is a first side view of the cell imager;
FIG. 6 is a second view of the cell imager;
FIG. 7 is a top view of the cell imager;
FIG. 8 is a bottom view of the cell imager; and,
FIG. 9 is a top perspective view of the cell imager with a
flask positioned in place on the imager.
The broken lines depict the flask in FIG. 9 represent an
environment, and the remaining broken lines represent por-
tions of the cell imager that form no part of the claimed
design; the broken lines form no part of the claimed design.

1 Claim, 8 Drawing Sheets



(56)

References Cited

U.S. PATENT DOCUMENTS

2008/0266653 A1 10/2008 Korpinen et al.
 2008/0297774 A1* 12/2008 Jiang G01N 21/253
 356/123
 2009/0042293 A1 2/2009 Hata et al.
 2009/0059603 A1 3/2009 Recker et al.
 2009/0068728 A1 3/2009 Kiyota et al.
 2009/0080611 A1 3/2009 Ganz et al.
 2010/0129900 A1 5/2010 Clark et al.
 2010/0291584 A1 11/2010 Tseng et al.
 2011/0250633 A1 10/2011 Jansen
 2016/0161428 A1* 6/2016 Takahara G21F 3/00
 378/44
 2018/0231760 A1* 8/2018 Fradkin G06T 7/254

FOREIGN PATENT DOCUMENTS

CN 101466823 A 6/2009
 EP 2028264 A1 2/2009

EP 2031051 A1 3/2009
 JP 2003-235540 A 8/2003
 JP 2004-113092 A 4/2004
 JP 2005-295818 A 10/2005
 JP 2006-141324 A 6/2006
 JP 2006-141328 A 6/2006
 JP 2007-20553 A 2/2007
 JP 2008-92882 A 4/2008
 WO 2007/145091 A1 12/2007

OTHER PUBLICATIONS

International Preliminary Report on Patentability issued Aug. 2, 2012
 in co-pending PCT application No. PCT/US2011/000111.
 Grant Instruments (Cambridge) Ltd., "Application Note: Medical
 Incubators", Oct. 1, 2009, 3 pages.
 NetBotz Inc., "About Your Appliance: NetBotz 420", Jan. 1, 2005,
 58 pages.

* cited by examiner

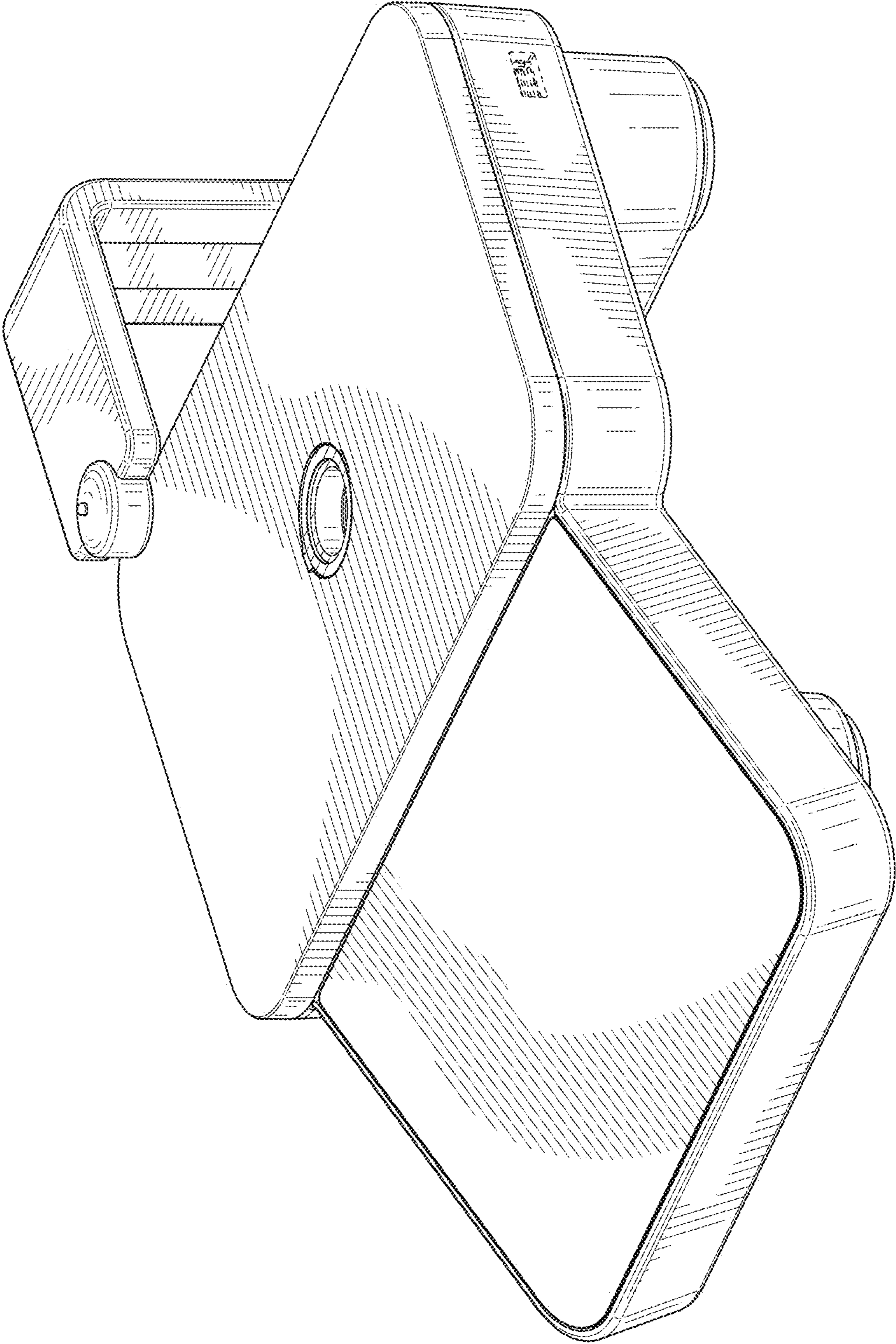


FIG. 1

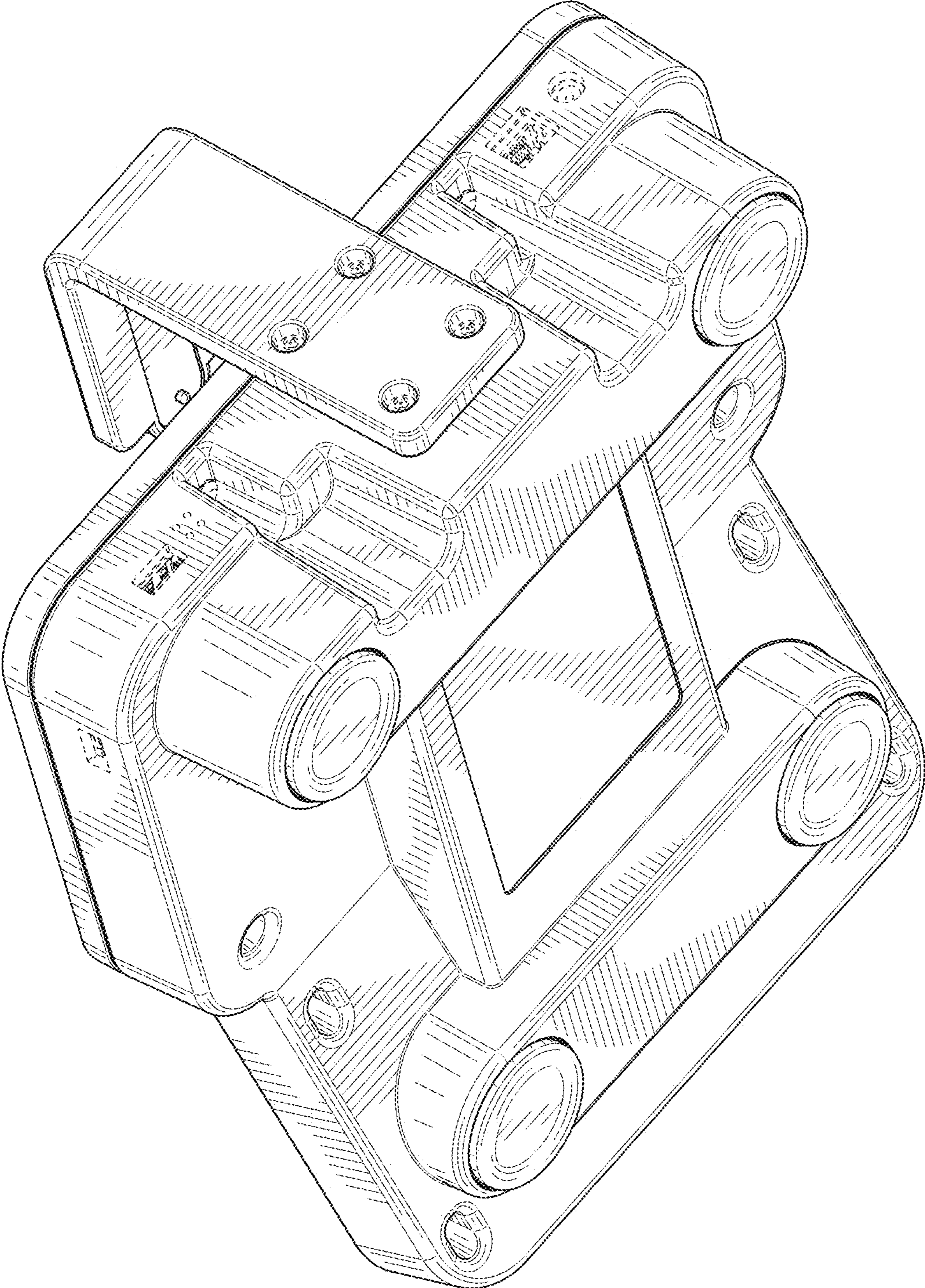


FIG. 2

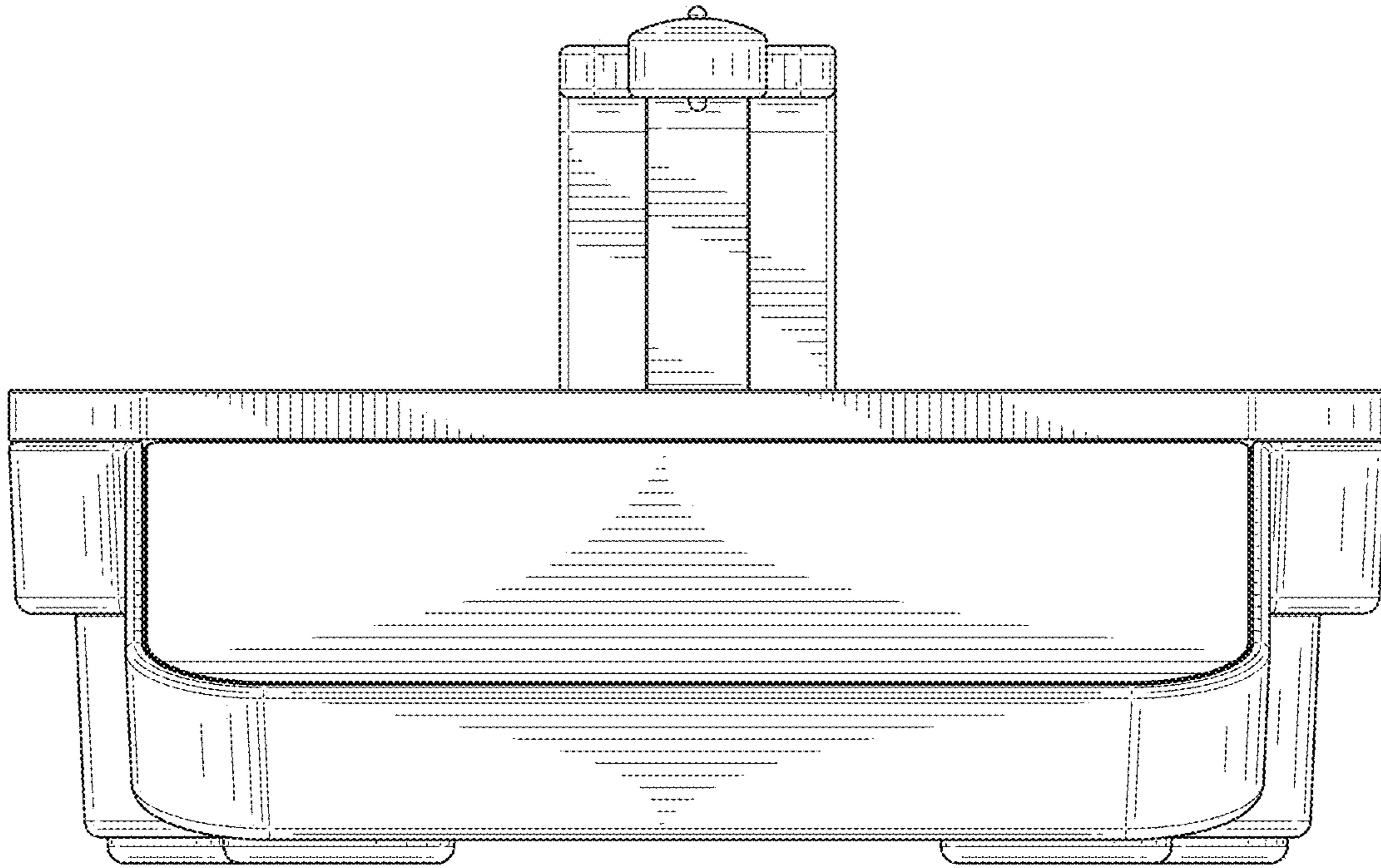


FIG. 3

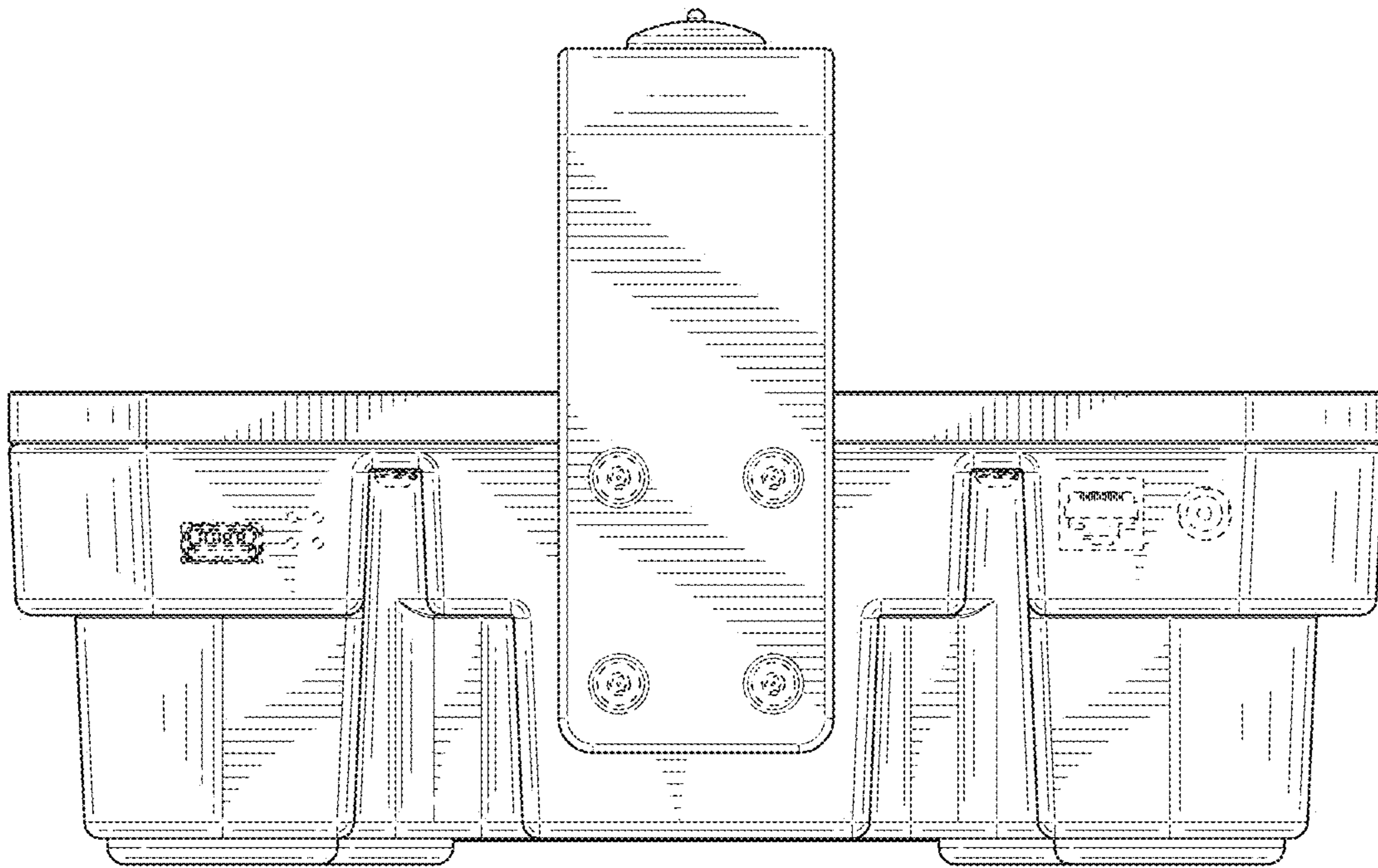


FIG. 4

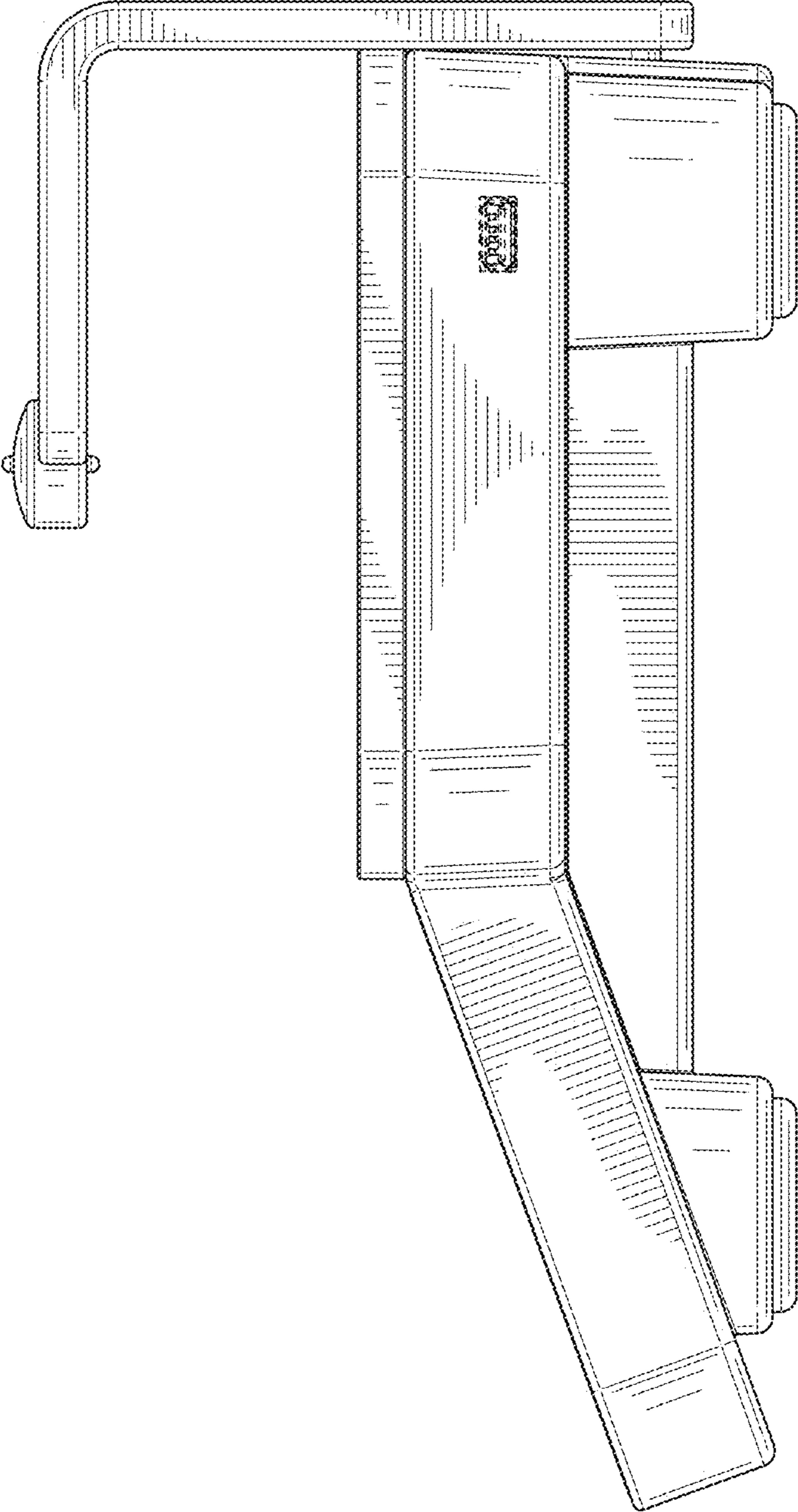


FIG. 5

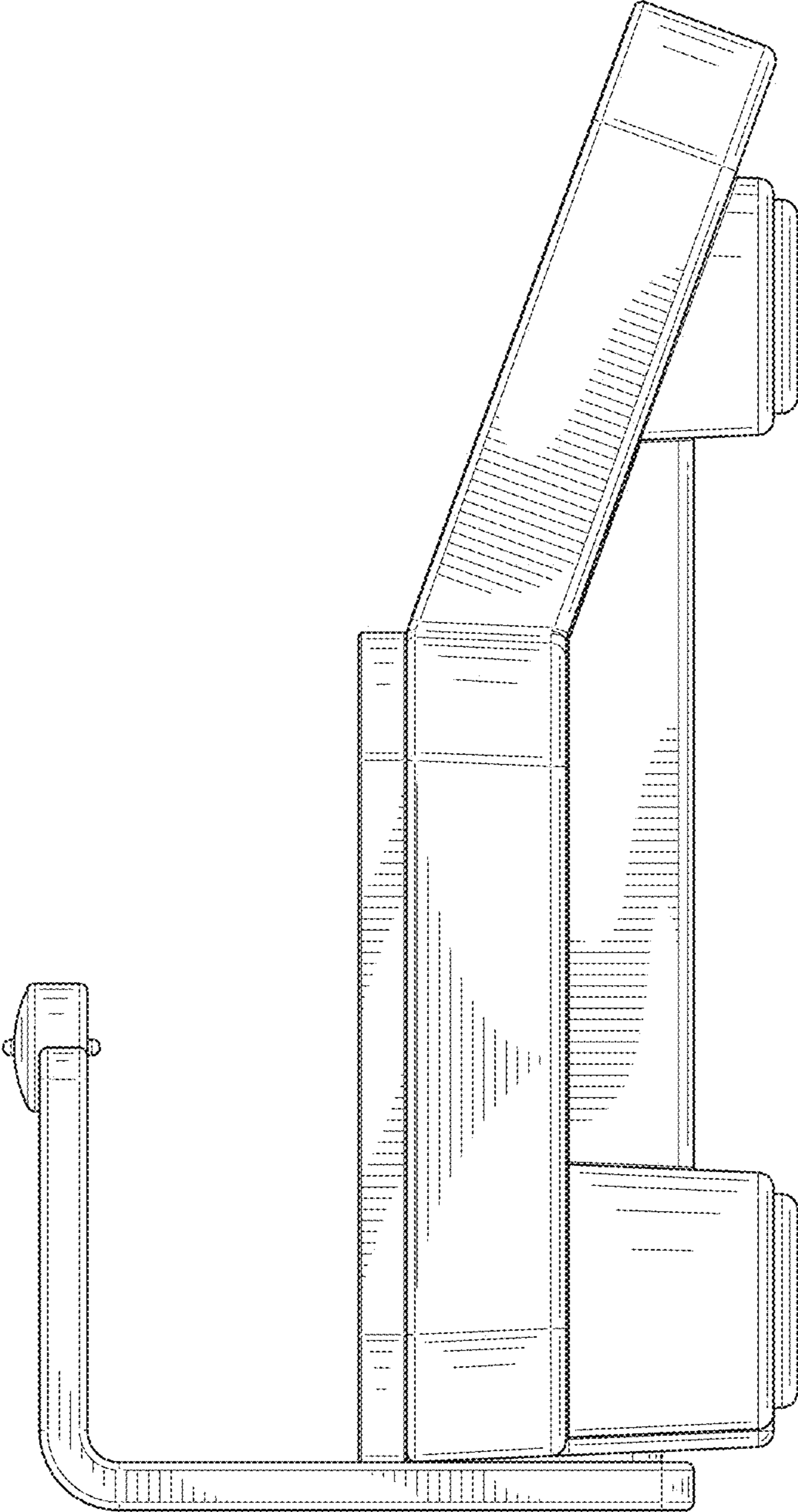


FIG. 6

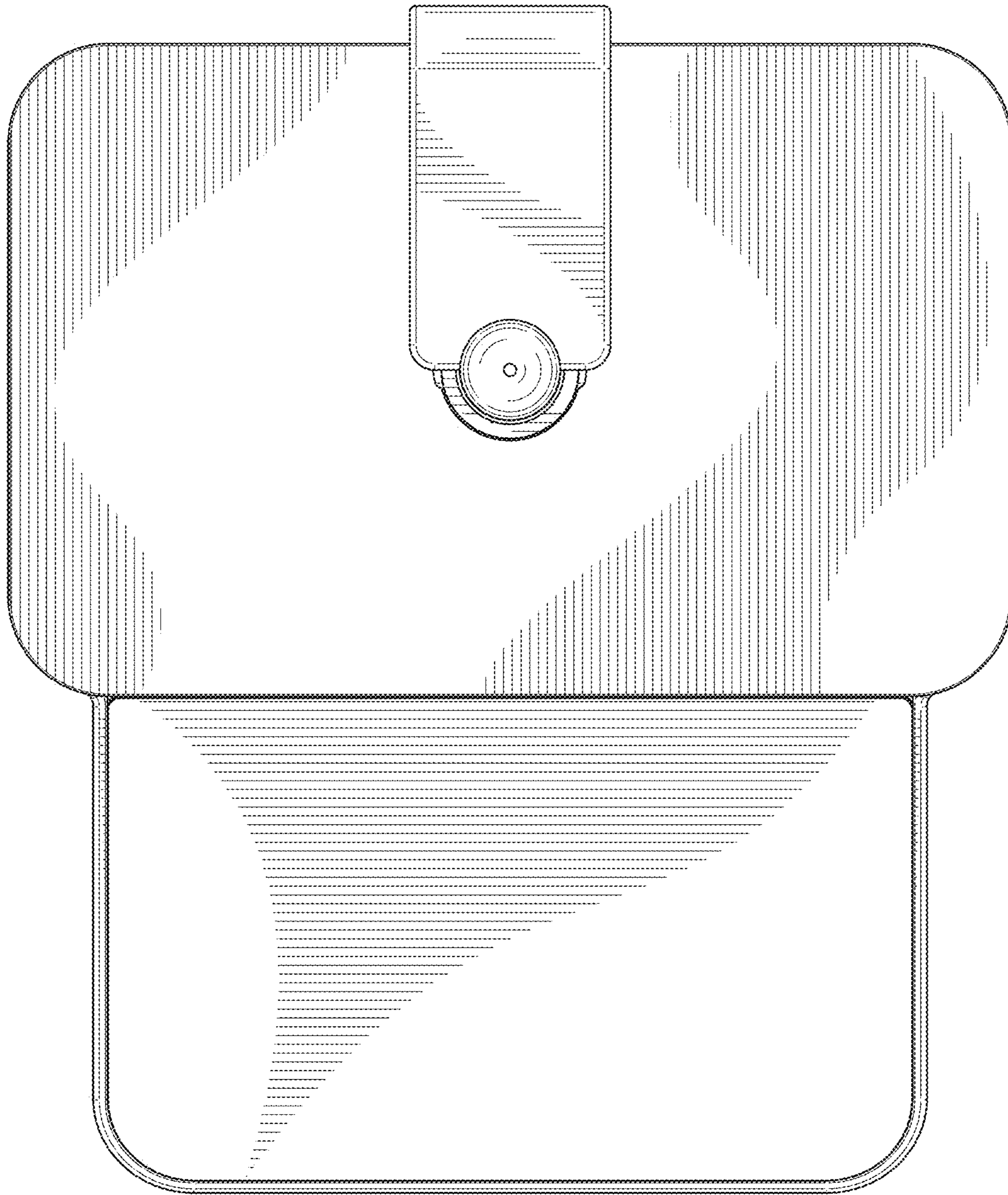


FIG. 7

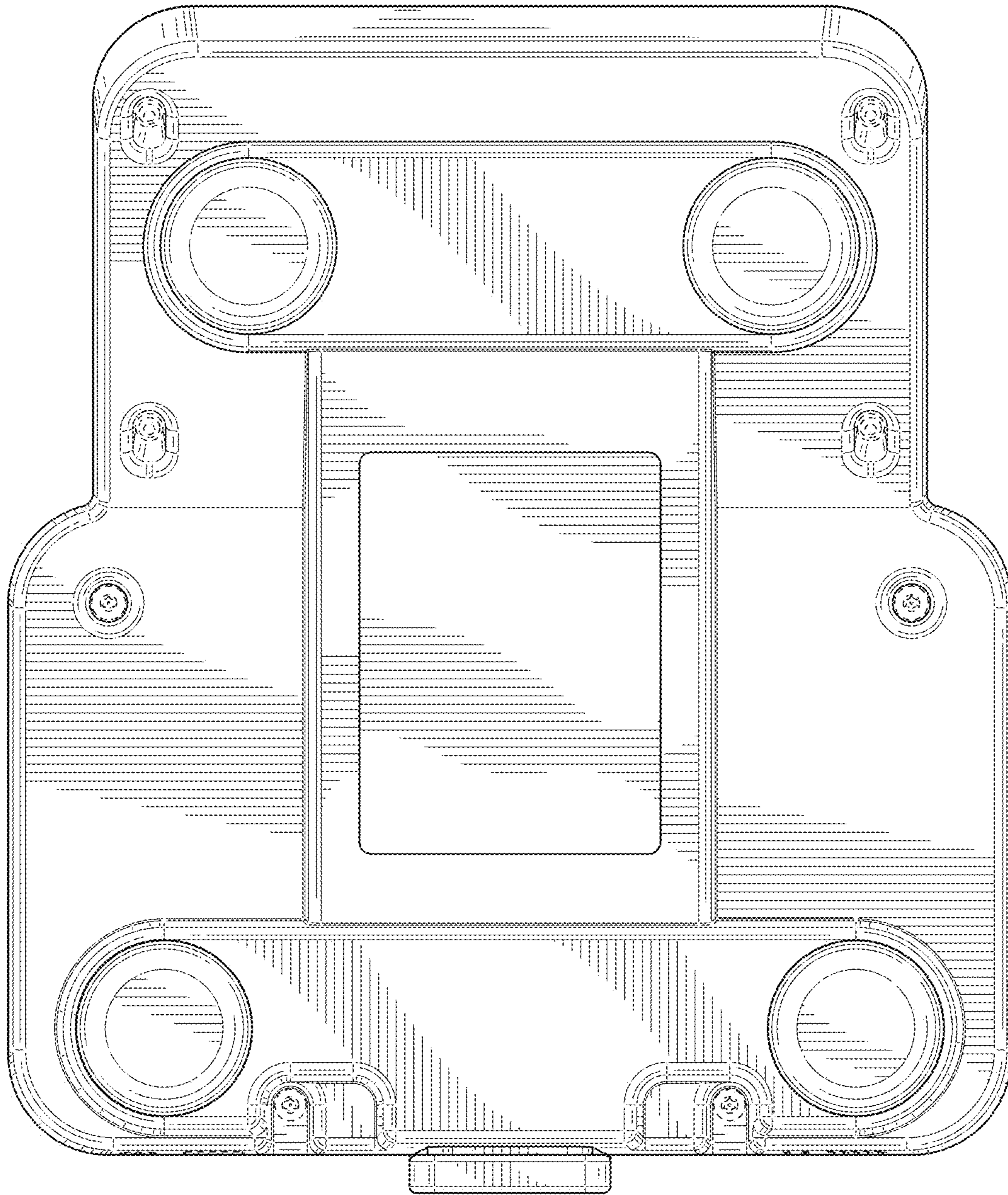


FIG. 8

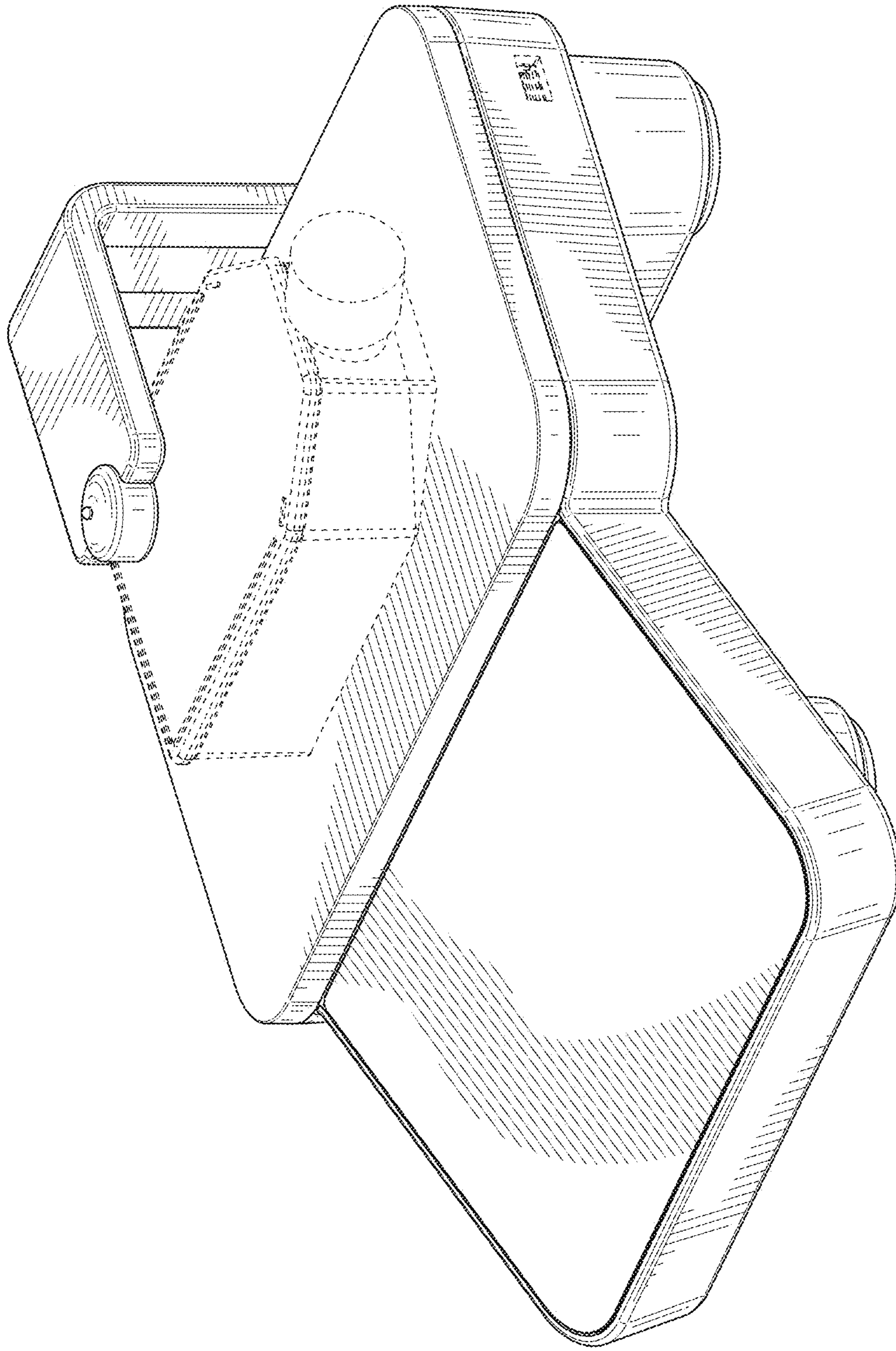


FIG. 9