



US00D907240S

(12) **United States Design Patent**
Ochiai et al.

(10) **Patent No.:** **US D907,240 S**

(45) **Date of Patent:** **** *Jan. 5, 2021**

(54) **CELL CULTURE INSERT**

(71) Applicant: **FUJIFILM CORPORATION**, Tokyo (JP)

(72) Inventors: **Akinori Ochiai**, Shizuoka-ken (JP);
Yuki Imakura, Kanagawa (JP);
Masafumi Nishino, Kanagawa (JP);
Koju Ito, Kanagawa (JP)

(73) Assignee: **Fujifilm Corporation**, Tokyo (JP)

(*) Notice: This patent is subject to a terminal disclaimer.

(**) Term: **15 Years**

(21) Appl. No.: **29/673,098**

(22) Filed: **Dec. 12, 2018**

(30) **Foreign Application Priority Data**

Jun. 20, 2018 (JP) 2018-013606

(51) **LOC (13) Cl.** **24-02**

(52) **U.S. Cl.**
USPC **D24/224**

(58) **Field of Classification Search**
USPC D24/107, 137, 158-160, 172, 185-187,
D24/225, 226; D10/81
CPC C12M 3/06; C12M 23/12
See application file for complete search history.

(56) **References Cited**

U.S. PATENT DOCUMENTS

5,139,951 A * 8/1992 Butz C12M 23/00
422/552
D360,698 S * 7/1995 Stevens D24/224
5,468,638 A * 11/1995 Barker C12M 25/04
422/536

(Continued)

FOREIGN PATENT DOCUMENTS

JP D2017-1707 * 1/2017

OTHER PUBLICATIONS

Thincert Cell Culture Insert for 24 Well Plates, TC, Sterile, Transparent Membrane (PET), Pore Diameter: 3 µm, 2 Multiwell Plates/Box, 48 Thincert Inserts/Box. Online, published date unknown. Retrieved on Feb. 19, 2020 from URL: https://shop.gbo.com/en/row/products/bioscience/cell-culture-products/thincert-cell-cultu.*

(Continued)

Primary Examiner — Janice Hallmark

Assistant Examiner — Omeed Agilee

(74) *Attorney, Agent, or Firm* — SOLARIS Intellectual Property Group, PLLC

(57) **CLAIM**

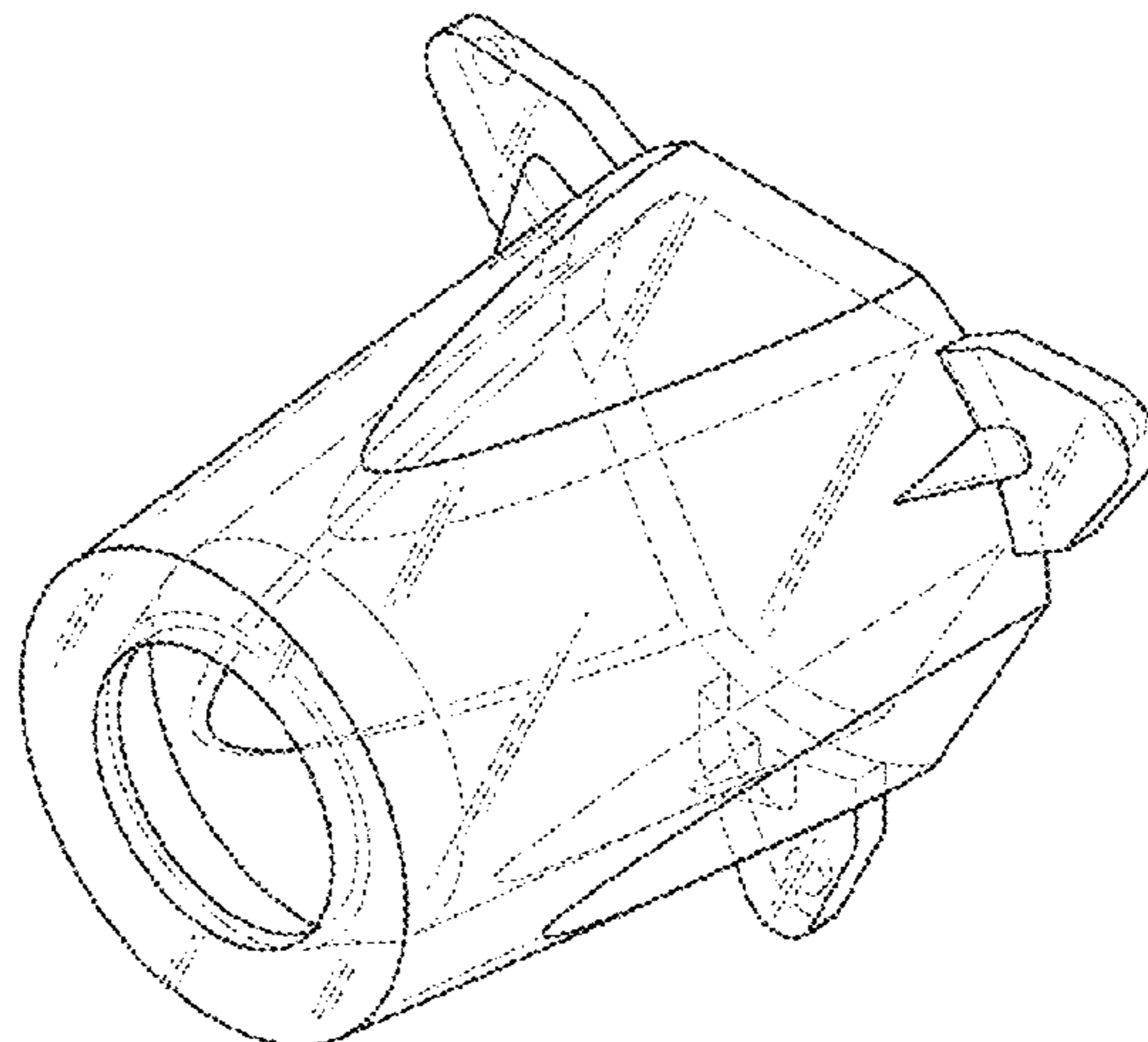
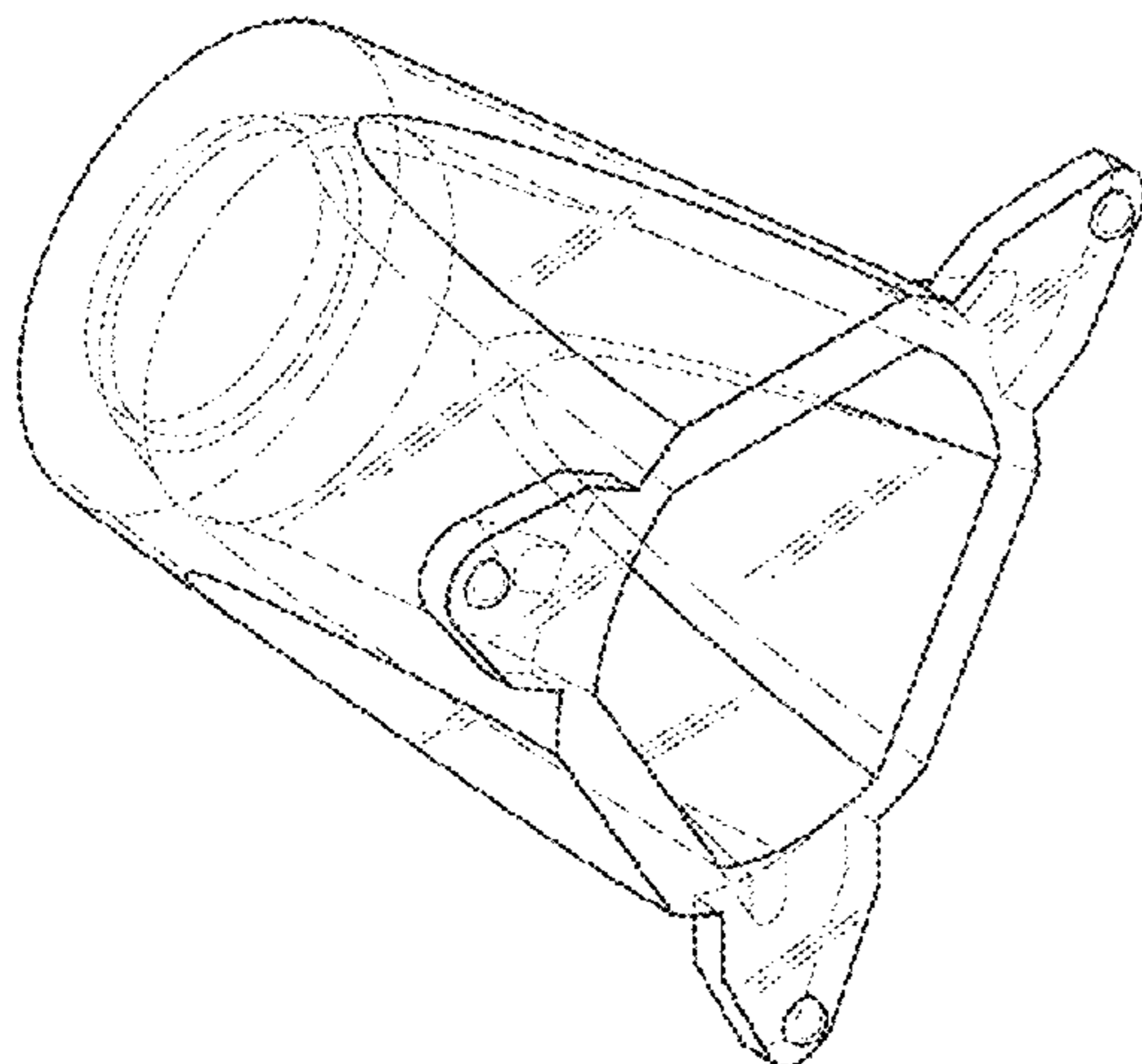
The ornamental design for a cell culture insert, as shown and described.

DESCRIPTION

FIG. 1 is an upper side perspective view of a cell culture insert, showing the new design;
FIG. 2 is a lower side perspective view thereof;
FIG. 3 is a top view thereof;
FIG. 4 is a bottom view thereof;
FIG. 5 is a front view thereof;
FIG. 6 is a rear view thereof;
FIG. 7 is a right side view thereof;
FIG. 8 is a left side view thereof;
FIG. 9 is a cross-sectional view thereof along line 9-9 in FIG. 3; and,
FIG. 10 is a cross-sectional view thereof along line 10-10 in FIG. 3.

The present article (cell culture insert) is used in a state in which the article is fitted to a cell culture container from above the cell culture container. The present article is fitted to the cell culture container and used after a film-shaped culture substratum has been used to cover, and has been fixed to, a bottom face of the article.

1 Claim, 5 Drawing Sheets



(56)

References Cited

U.S. PATENT DOCUMENTS

5,578,492 A * 11/1996 Fedun C12M 23/12
422/536
D822,209 S * 7/2018 Miwa D24/158
D864,395 S * 10/2019 Shikayama D24/158
D874,652 S * 2/2020 Miwa D24/158
2013/0022500 A1* 1/2013 Angeloni Suter C12M 25/04
422/82.01

OTHER PUBLICATIONS

Cell Culture Insert 24-Well PET 1um Cs48. Online, published date unknown. Retrieved on Feb. 19, 2020 from URL: https://www.thomasci.com/Miscellaneous-Product-Falcon/_/INS-24WELL-PET-1UM-CS48-353104?q=Cell%20Culture%20Insert.*

* cited by examiner

FIG.1

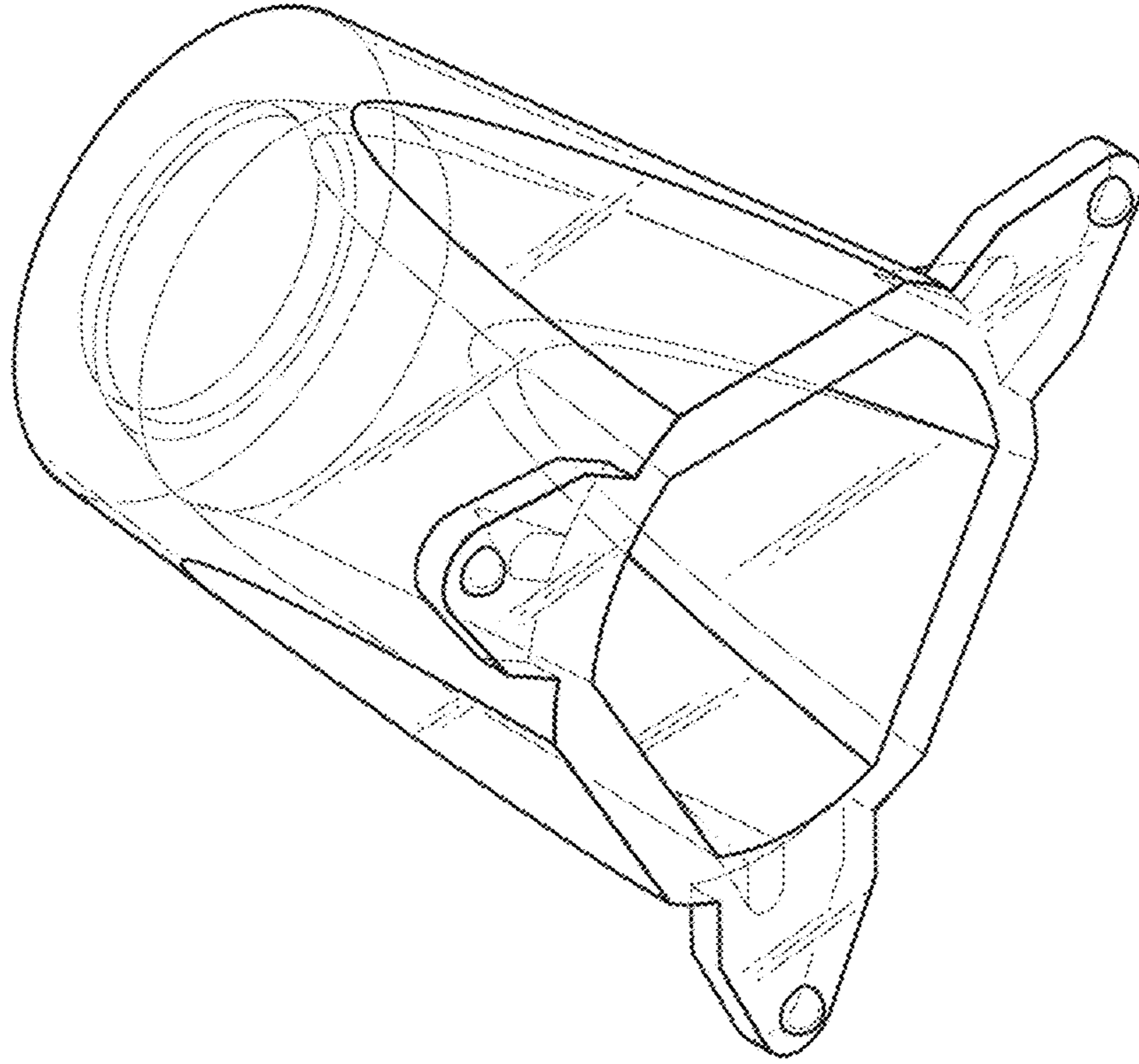


FIG.2

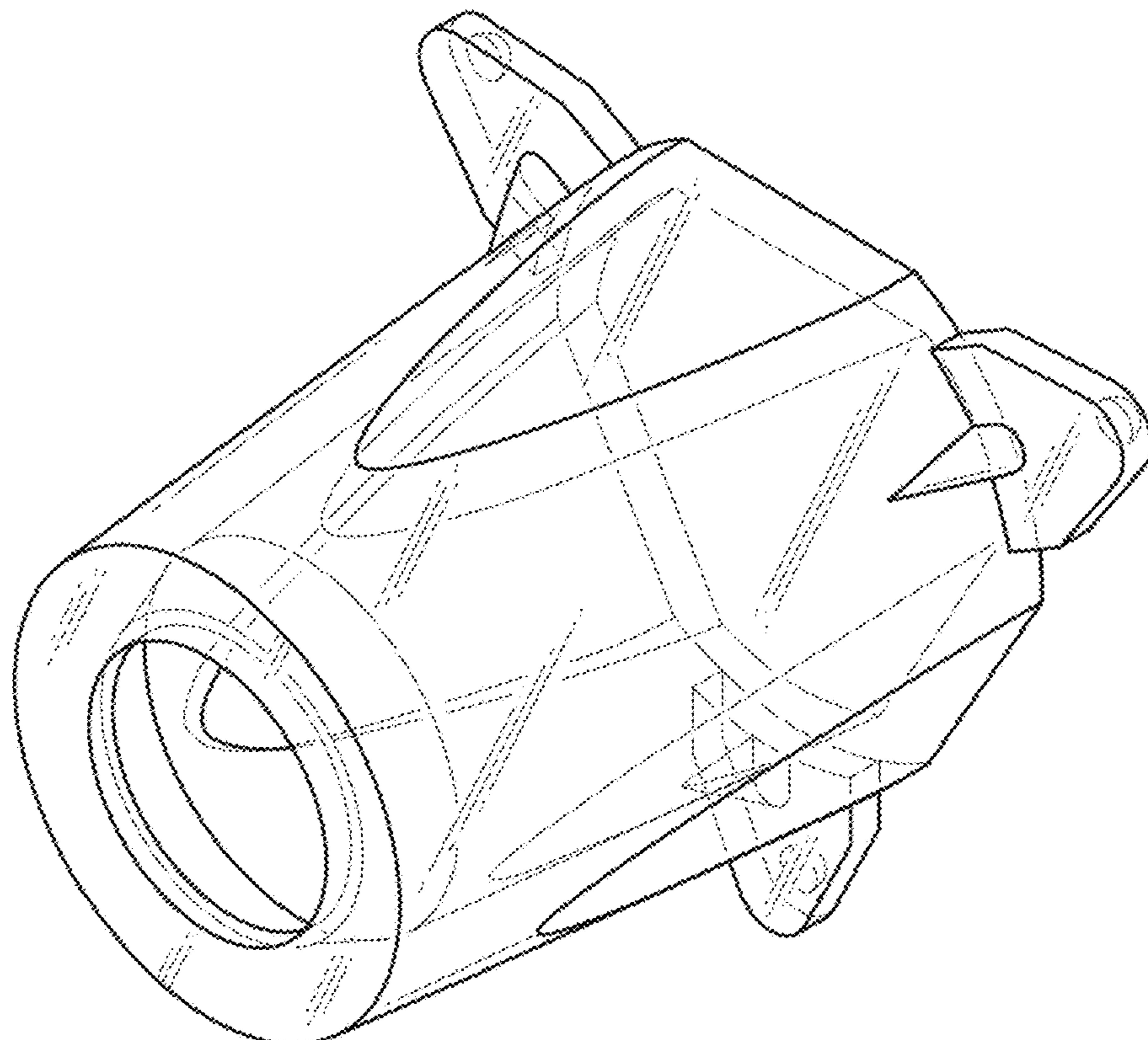


FIG.3

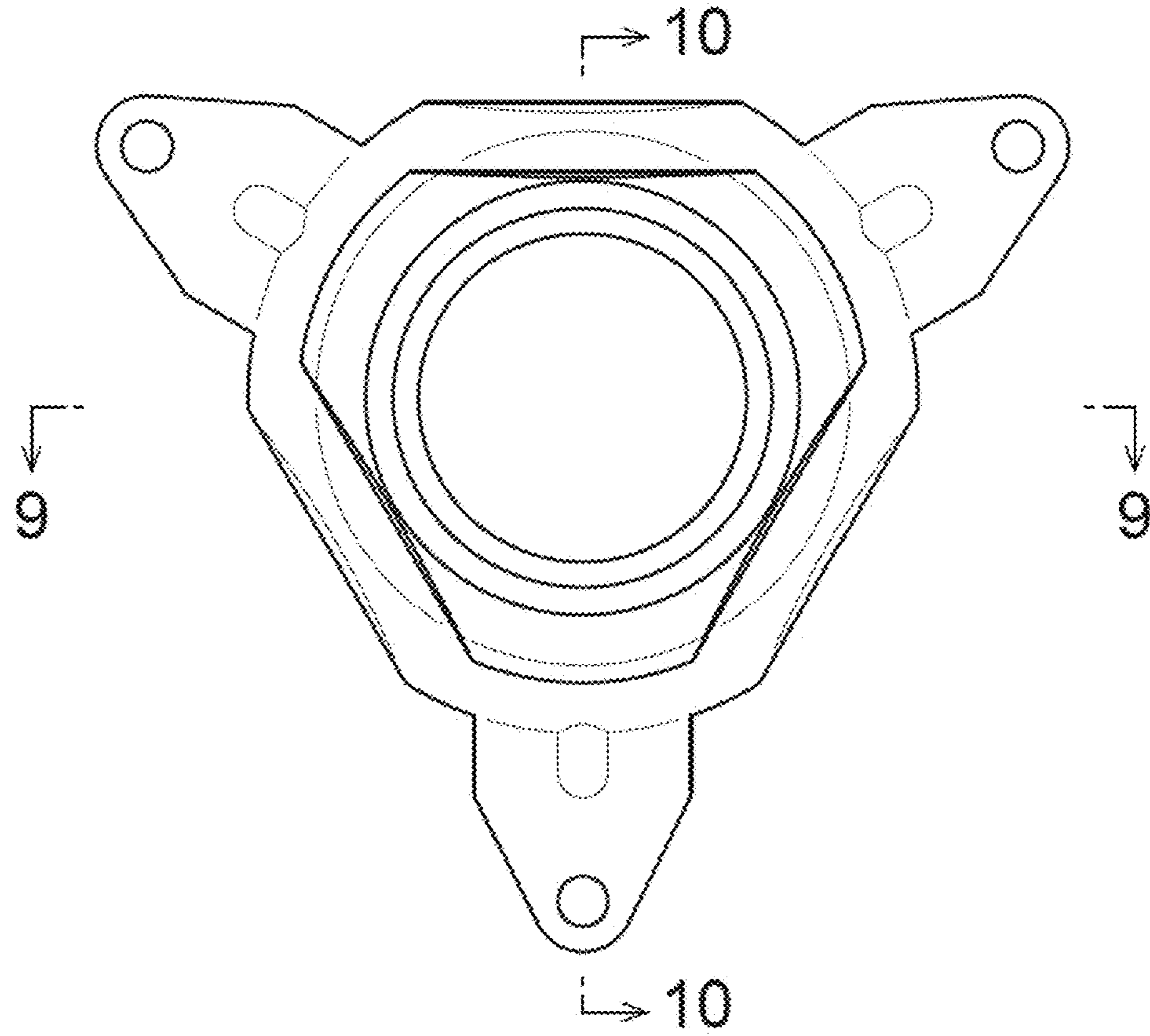


FIG.4

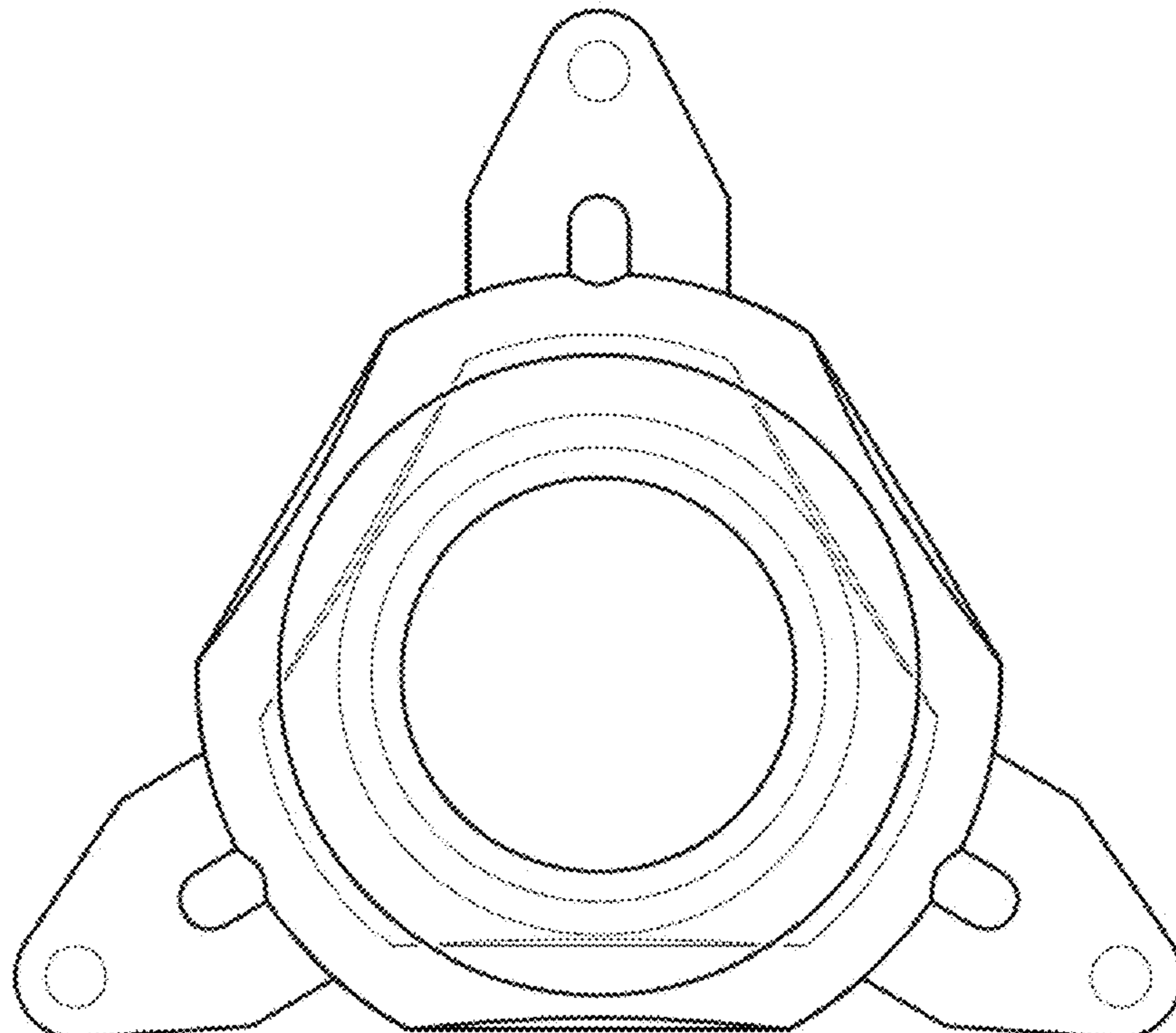


FIG.5

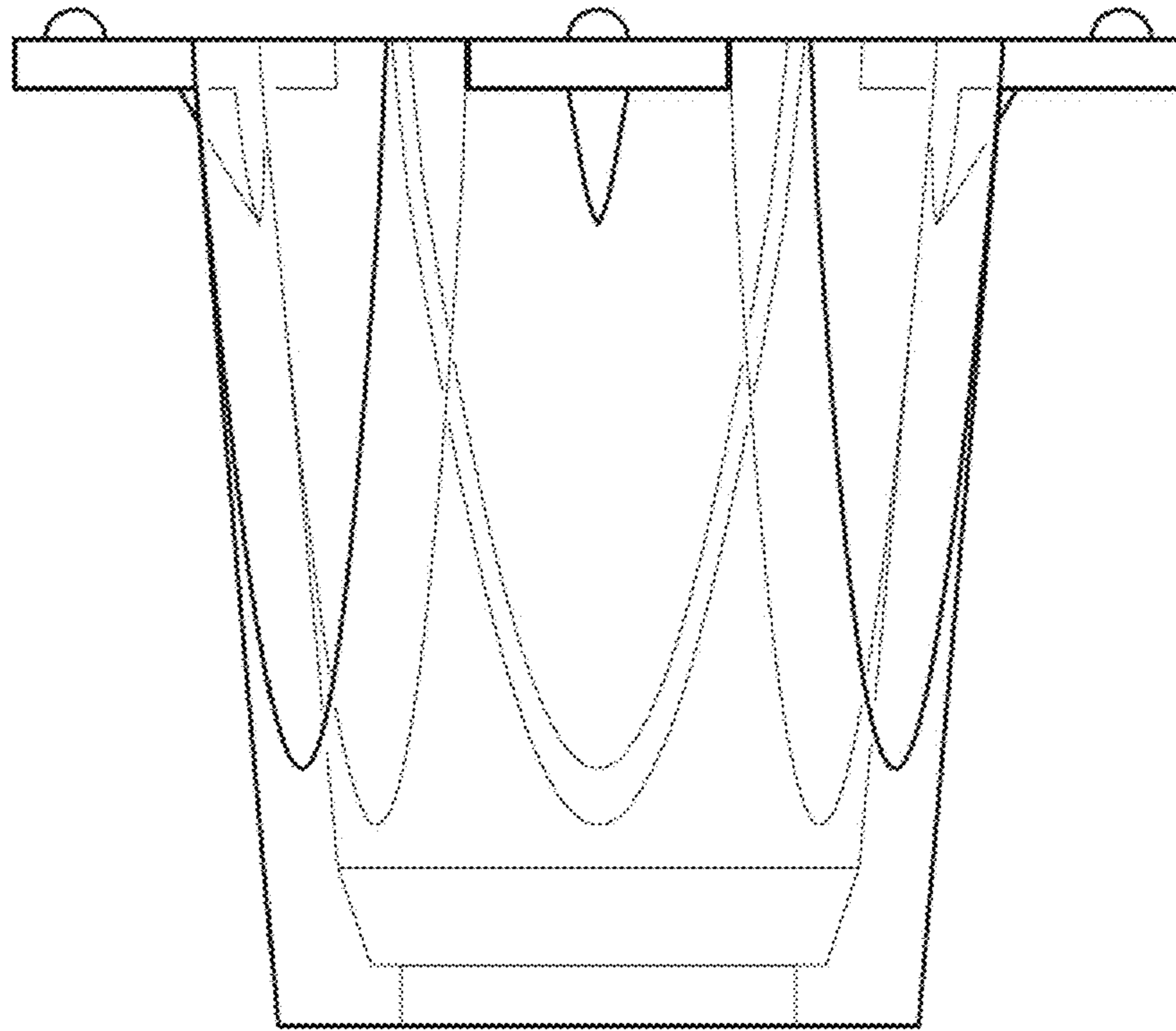


FIG.6

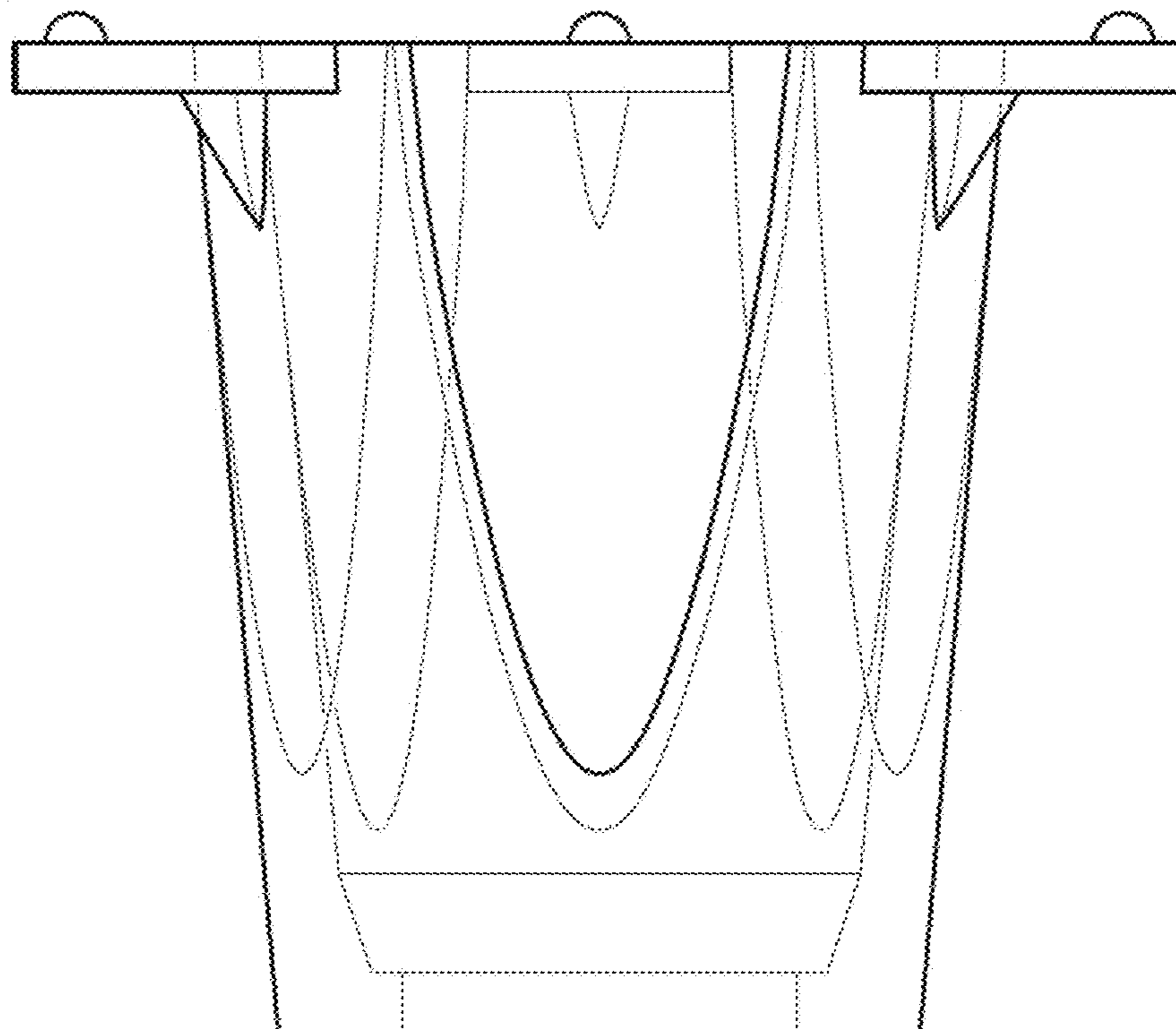


FIG.7

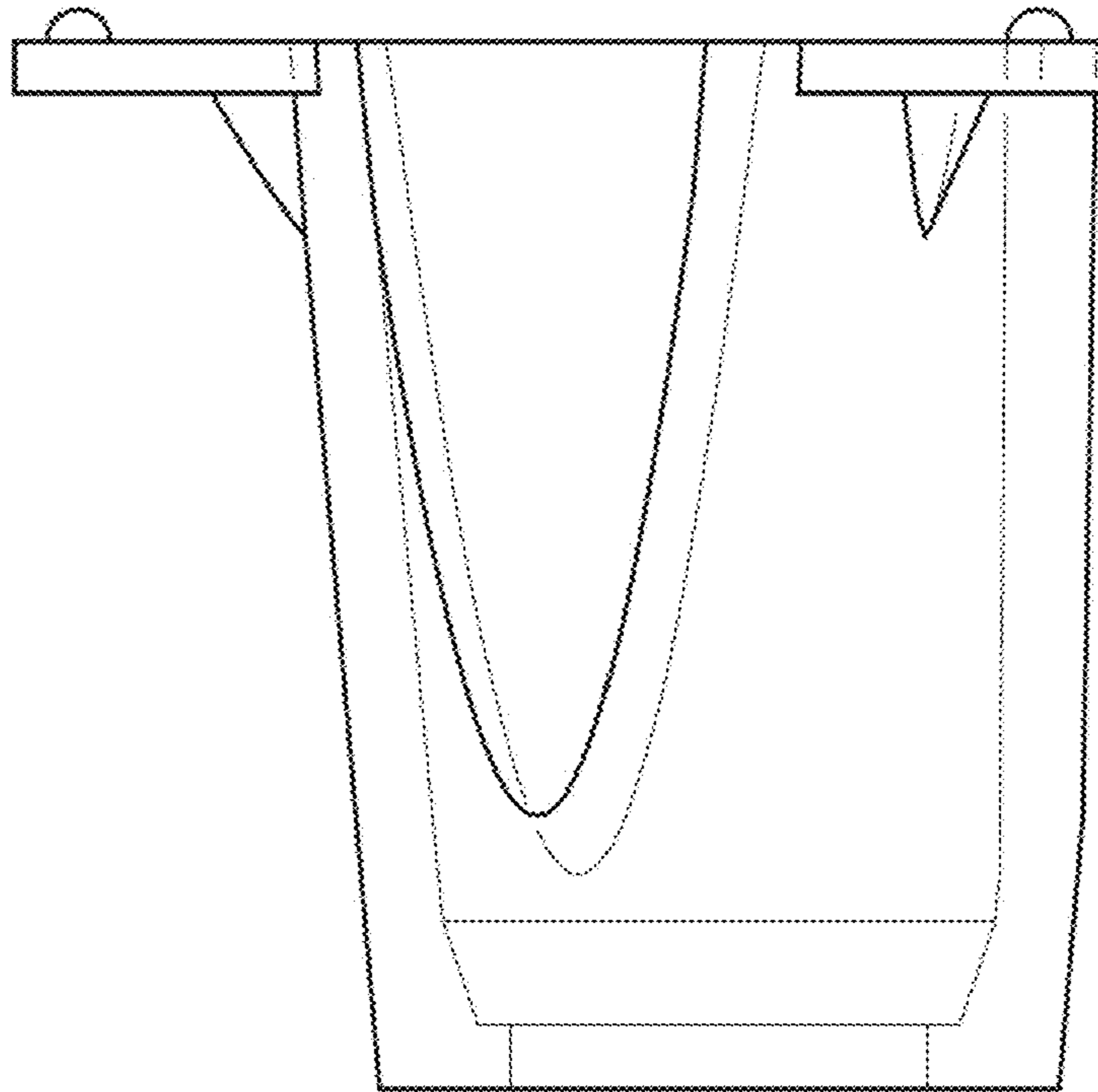


FIG.8

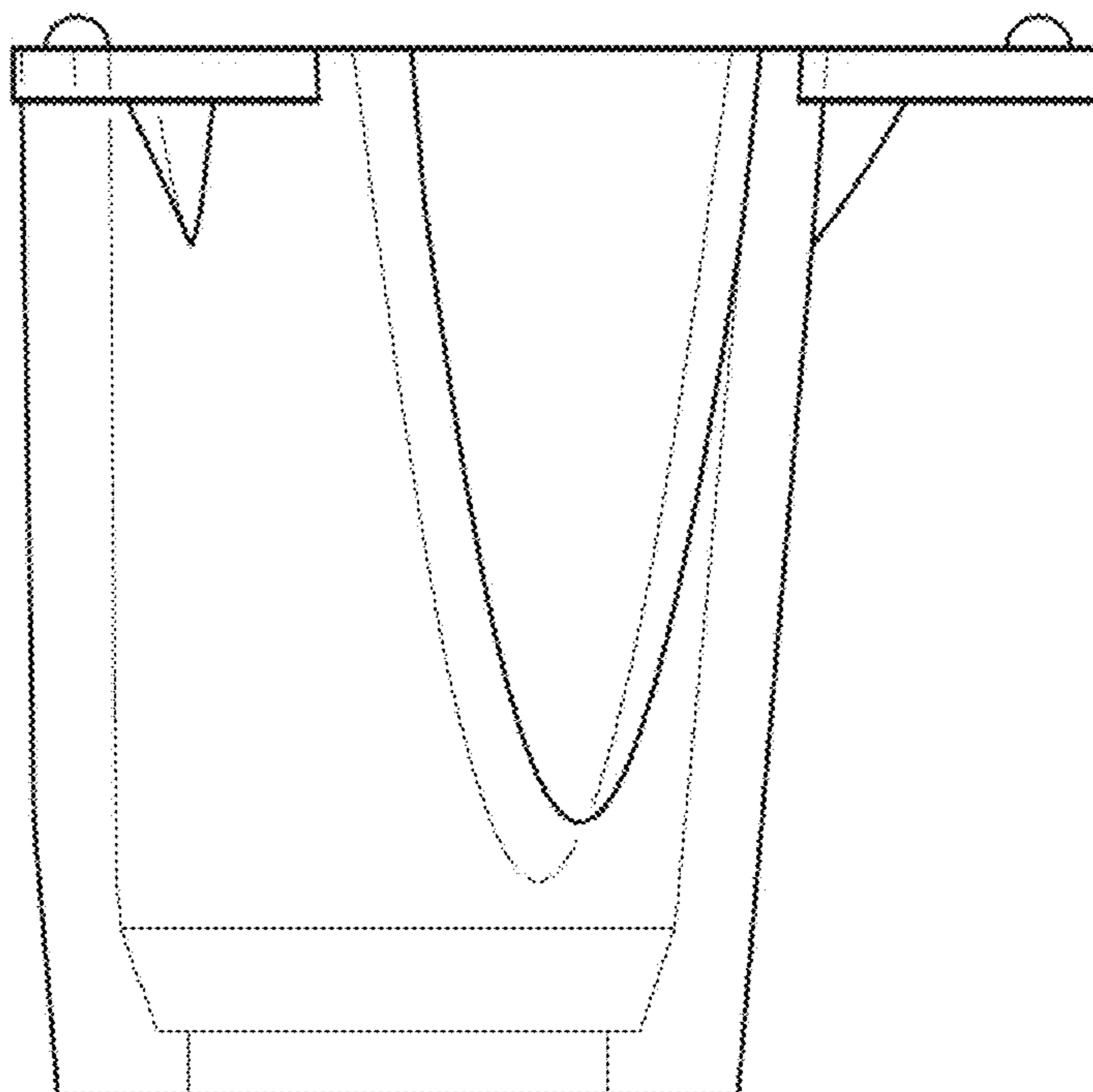


FIG.9

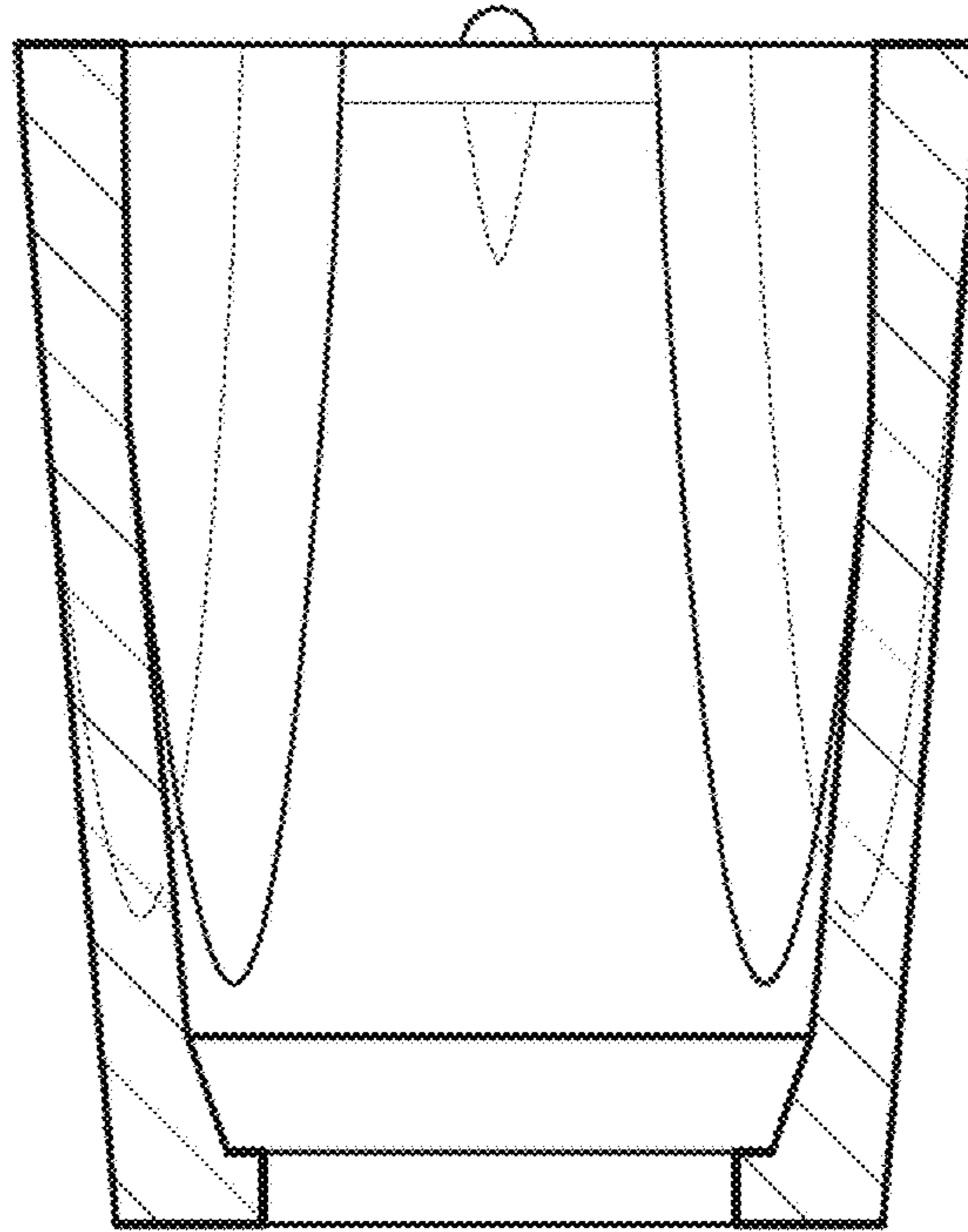


FIG.10

