



US00D907238S

(12) **United States Design Patent**
Shinoda

(10) **Patent No.:** **US D907,238 S**
(45) **Date of Patent:** **** Jan. 5, 2021**

(54) **EMBRYO CULTURE DISH**

(71) Applicant: **SONY CORPORATION**, Tokyo (JP)

(72) Inventor: **Masataka Shinoda**, Tokyo (JP)

(73) Assignee: **SONY CORPORATION**, Tokyo (JP)

(**) Term: **15 Years**

(21) Appl. No.: **29/668,634**

(22) Filed: **Oct. 31, 2018**

(51) **LOC (13) Cl.** **24-02**

(52) **U.S. Cl.**
USPC **D24/224**

(58) **Field of Classification Search**
USPC D24/216, 223-227, 229-232; D3/203.1,
D3/203.2; D10/78, 81; D9/537, 545,
D9/549
CPC C12M 23/10; B65B 31/00; B01L 3/50825;
C12N 11/04
See application file for complete search history.

(56) **References Cited**

U.S. PATENT DOCUMENTS

D316,752 S *	5/1991	Ricketts	D24/226
5,582,389 A *	12/1996	Greene	A47J 36/022
				229/235
D420,864 S *	2/2000	Kenney	D7/667
7,114,459 B2 *	10/2006	Schmidt	A01K 1/0114
				119/161
D641,585 S *	7/2011	Cheng	D7/354
D685,603 S *	7/2013	Mishan	D7/354
D698,940 S *	2/2014	Pribenszky	D24/224
8,808,787 B2	8/2014	Ikuta et al.		
D767,160 S *	9/2016	Schimmel	D24/226
D767,161 S *	9/2016	Schimmel	D24/226
D767,162 S *	9/2016	Schimmel	D24/226
D830,100 S *	10/2018	Mirchandani	D7/354
D837,399 S *	1/2019	Hatakeyama	D24/224

FOREIGN PATENT DOCUMENTS

CN	201230574744	*	11/2012
JP	D1364691 S		7/2009
JP	D2011-11237	*	5/2011
JP	D1385403 S		4/2012
JP	D1390561 S		6/2012
JP	D1406484 S		1/2014

(Continued)

OTHER PUBLICATIONS

Mitosis and Meiosis Part A. Online, published date 2018. Retrieved on Mar. 16, 2020 from URL: <https://www.sciencedirect.com/topics/agricultural-and-biological-sciences/culture-dishes>.*

(Continued)

Primary Examiner — Janice Hallmark
Assistant Examiner — Omeed Agilee
(74) *Attorney, Agent, or Firm* — Michael Best and Friedrich LLP

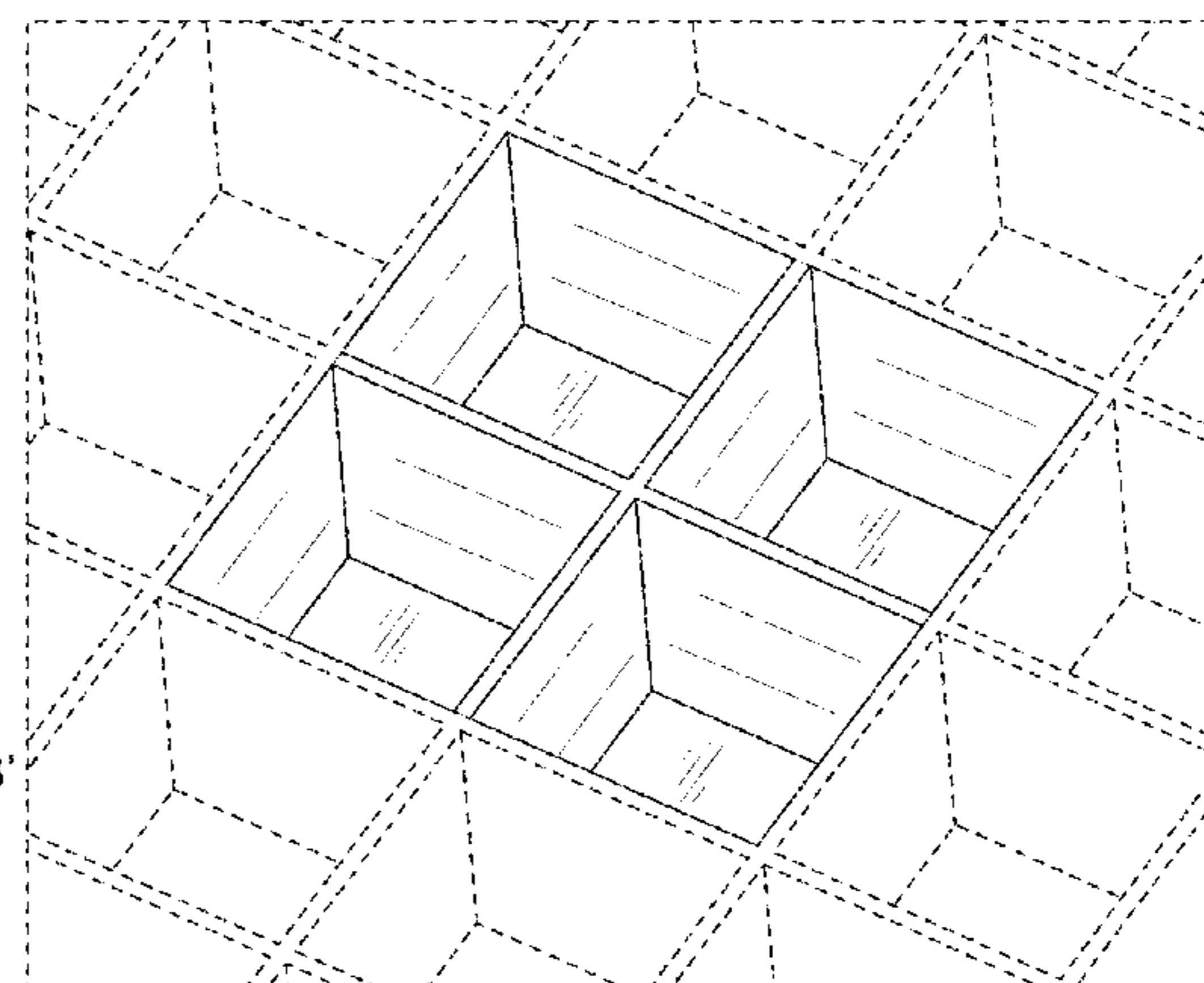
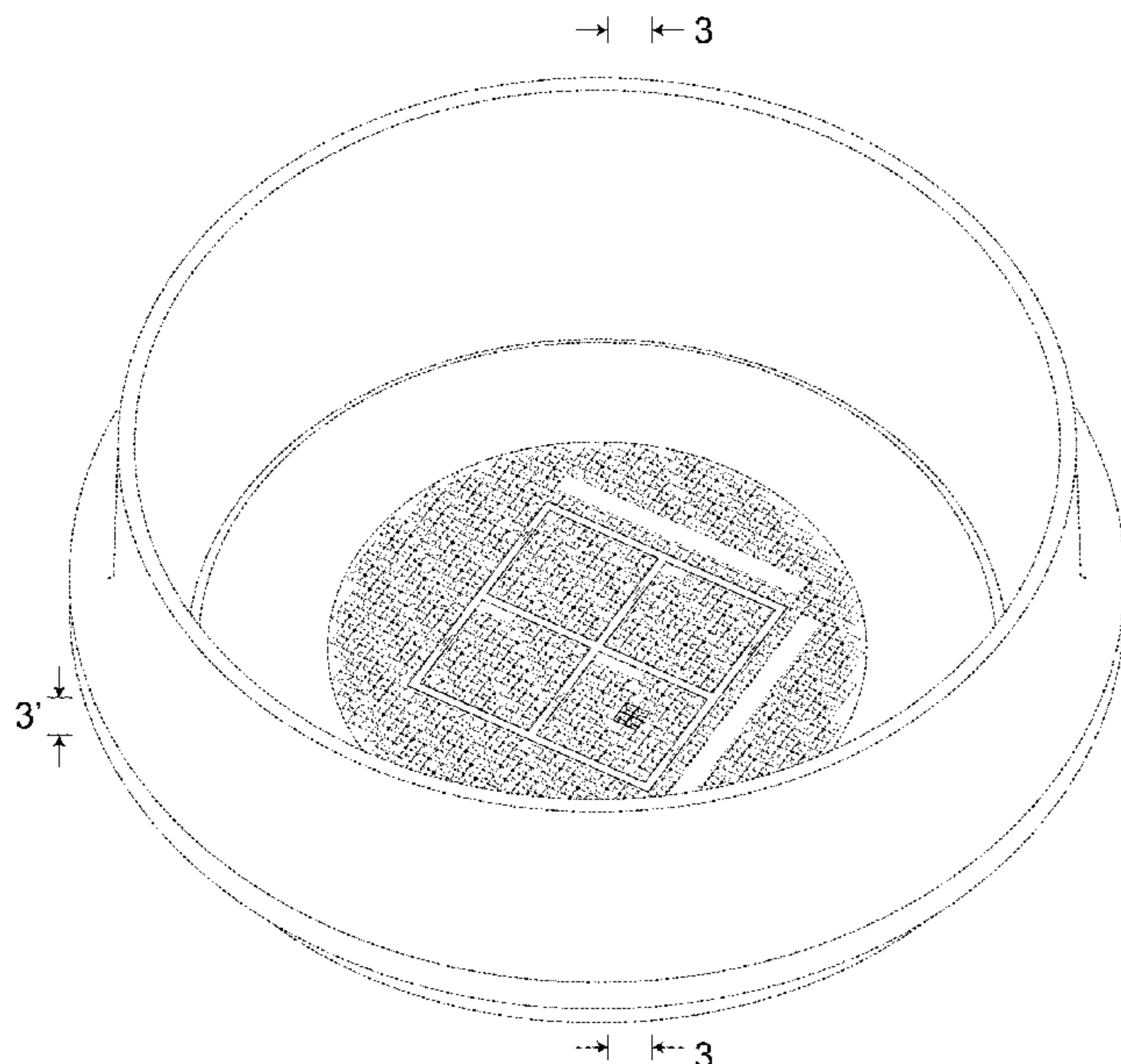
(57) **CLAIM**

The ornamental design for an embryo culture dish, as shown and described.

DESCRIPTION

FIG. 1 is a perspective view of an embryo culture dish showing my new design;
FIG. 2 is a top plan view thereof;
FIG. 3 is a partially enlarged perspective view thereof along the lines 3-3 and 3'-3' of FIG. 1; and,
FIG. 4 is a partially enlarged top plan view thereof along the lines 4-4 and 4'-4' of FIG. 2.
The dash-dash broken lines illustrating portions of the embryo culture dish form no part of the claimed design. The dot-dash broken lines defining the boundaries of the claimed design form no part of the claimed design.

1 Claim, 4 Drawing Sheets



(56)

References Cited

FOREIGN PATENT DOCUMENTS

WO WO-2010/047132 A1 4/2010

OTHER PUBLICATIONS

Analytical Investigation on Performance of Stiffened Waffle Slabs with Openings. Online, published date 2016. Retrieved on May 15, 2020 from URL: <https://www.semanticscholar.org/paper/Analytical-Investigation-on-Performance-of-Waffle-Somasekhar-Prabhakaran/cad902565315b6ce288b4e57e841000017b54eef>.*

1801 Deep Insert. Online, published date unknown, Retrieved on May 15, 2020 from URL: <https://www.growerssolution.com/PROD/1801-deep-insert/1801d>.*

“Cell Cluster Mass Culture Device [TASCL]”, Website: www.cymss-bio.com/tascl.html, obtained Oct. 18, 2018, Cymss-bio Inc., Japan.

* cited by examiner

FIG. 1

→ ← 3

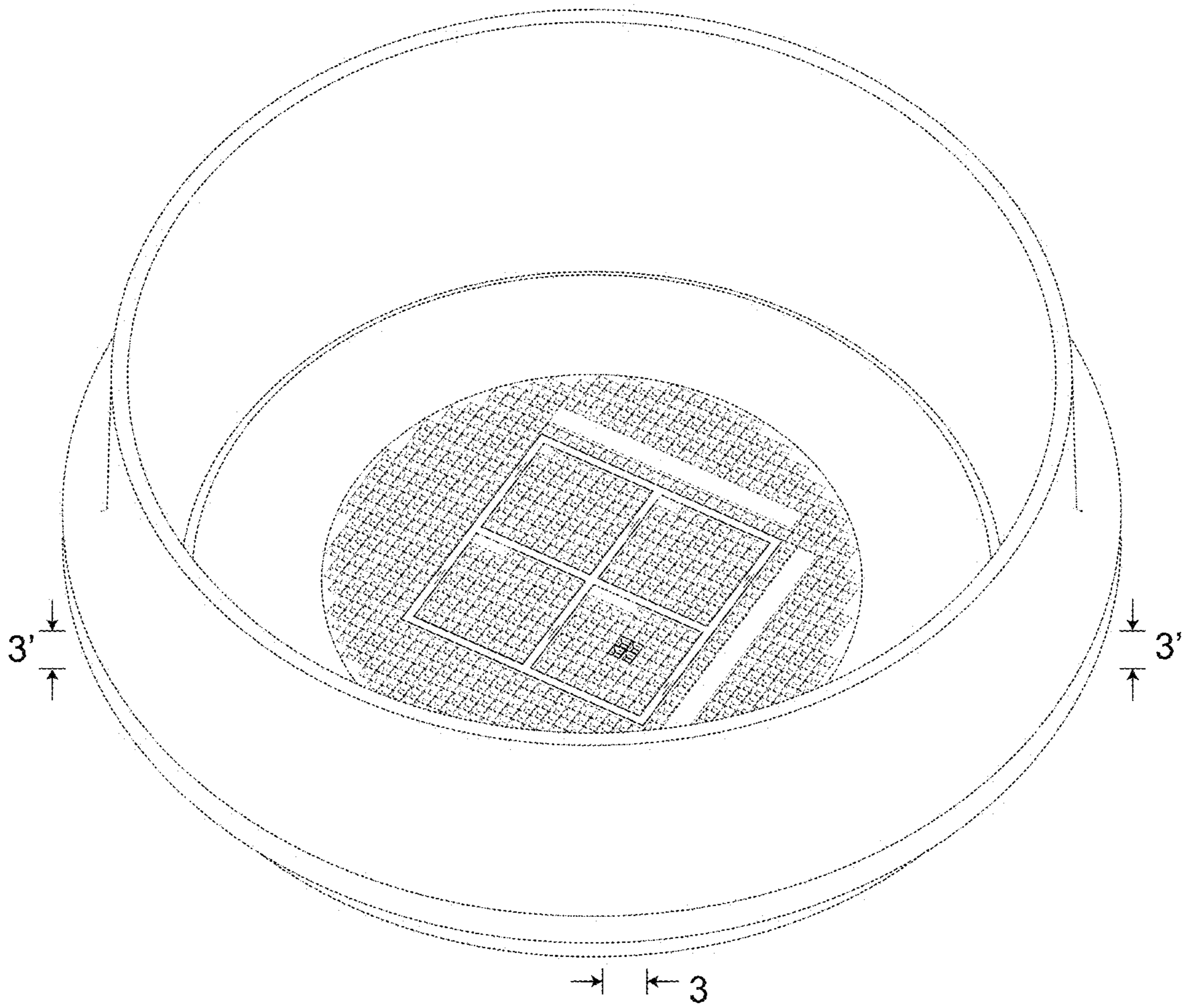


FIG.2

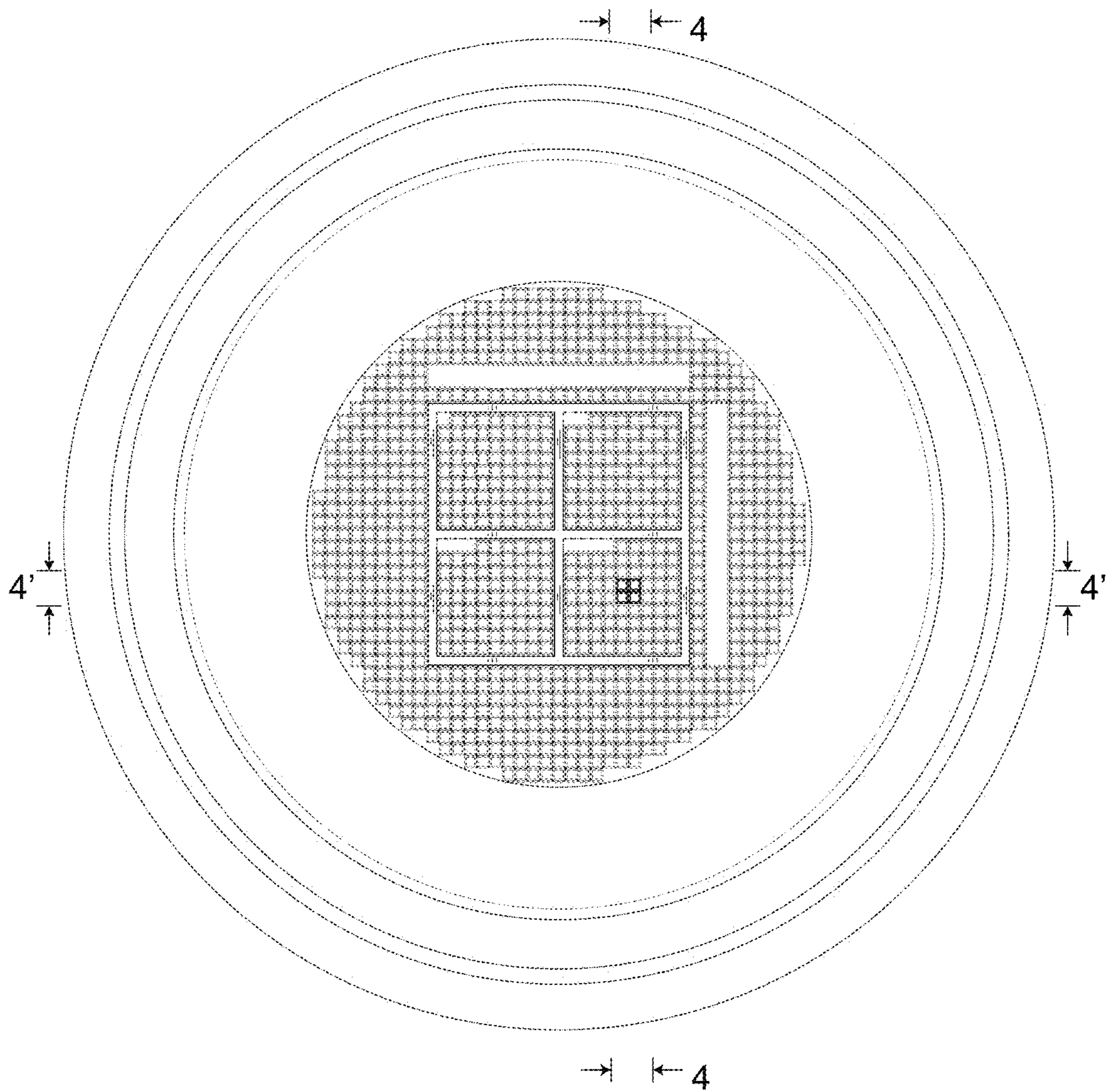


FIG.3

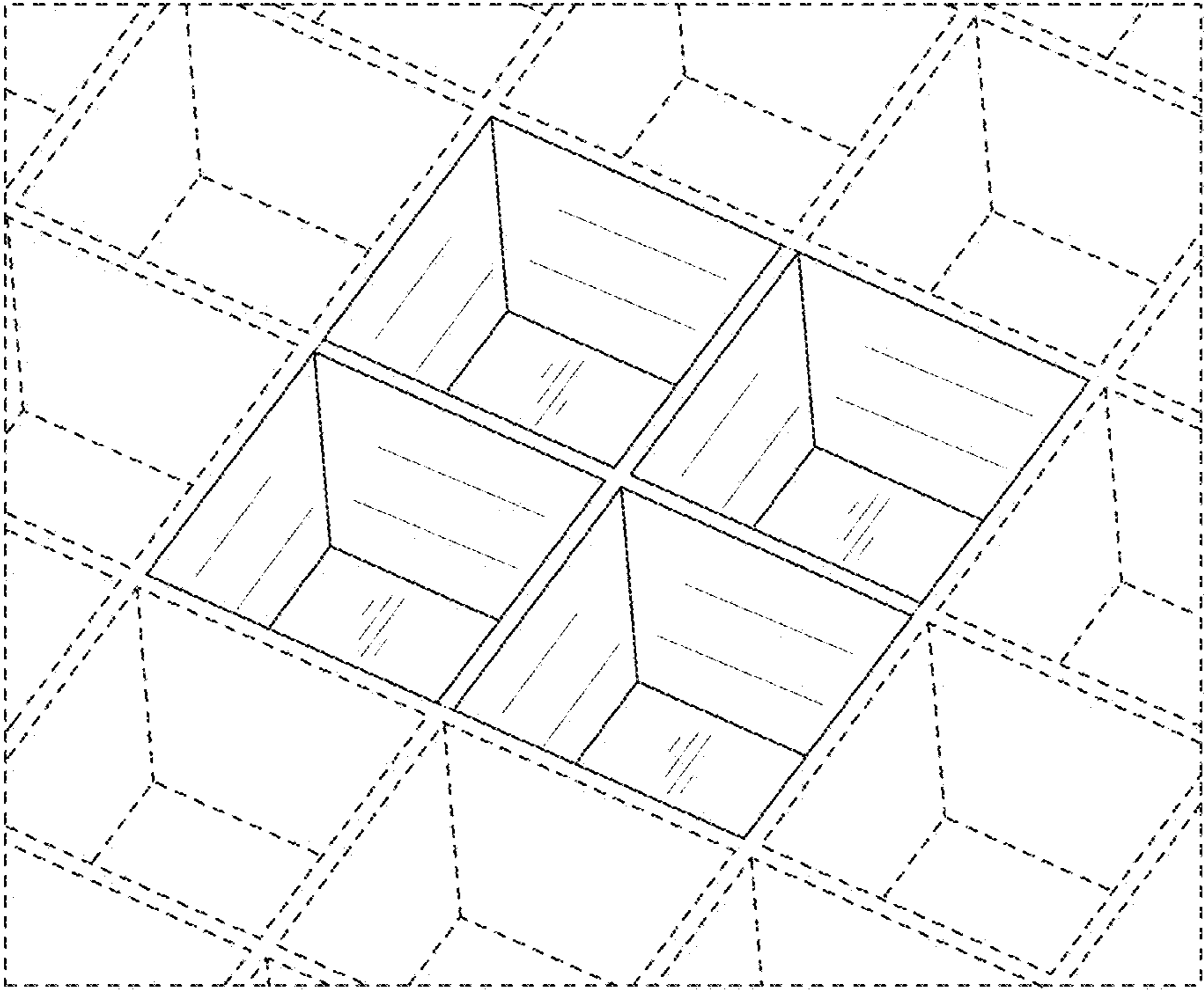


FIG.4

