



US00D907236S

(12) **United States Design Patent** (10) **Patent No.:** **US D907,236 S**
Lee (45) **Date of Patent:** **** Jan. 5, 2021**

(54) **DRUG GRINDER**

(71) Applicant: **E-LINK PLASTIC & METAL INDUSTRIAL CO., LTD.**, New Taipei (TW)

(72) Inventor: **Cheng-Hua Lee**, New Taipei (TW)

(73) Assignee: **E-LINK PLASTIC & METAL INDUSTRIAL CO., LTD.**, New Taipei (TW)

(**) Term: **15 Years**

(21) Appl. No.: **29/690,599**

(22) Filed: **May 9, 2019**

(51) **LOC (13) Cl.** **07-04**

(52) **U.S. Cl.**
USPC **D24/220; D3/203.3**

(58) **Field of Classification Search**
USPC D3/201, 203.1, 203.2, 203.3; D7/300.1, D7/372, 376, 377, 378, 414, 591, 667, D7/679, 688; D24/100, 101, 102, 103, D24/104, 141, 163, 220, 221, 231, 232; D27/100, 101, 163, 164, 165, 166, 167, D27/168, 169, 194

CPC .. A24B 9/00; A24B 13/00; A24D 1/00; A24D 1/008; A24D 1/12; A24D 1/14; A24D 1/22; A61B 17/8802; A61J 1/00; A61J 1/03; A61K 2300/00; B01F 3/00; B01F 3/08; B01F 3/0853; B01F 3/0865; B01F 3/12; B01F 3/1221; B01F 3/18; B01F 3/184; B01F 3/20; B01F 3/2071; B01F 3/22; B01F 3/2276; B01F 7/00; B01F 7/00008; B01F 7/002; B01F 7/0075; B01F 7/02; B01F 7/021; B01F 9/00; B01F 9/0001; B01F 13/0001; B01F 13/00; B01F 2215/0029; B01F 2215/0032; B01F 2215/0034; B01F 2215/0036; B01F 2215/0037; B01F 2215/0045; B01F 2215/0049; B28C 5/0881

See application file for complete search history.

(56) **References Cited**

U.S. PATENT DOCUMENTS

D148,651 S * 2/1948 Steele D7/591
D189,393 S * 12/1960 Schlumbohm D7/300.1
D317,405 S * 6/1991 Yasika D3/203.2
D433,148 S * 10/2000 Dennis D24/220

(Continued)

OTHER PUBLICATIONS

E-Link Plastic, "Products—Pill Cutter", first available Oct. 3, 2016. (<https://web.archive.org/web/20161003161915/http://www.e-link-plastic.com/Product-20071114141951.html?CID=4>) (Year: 2016).*

(Continued)

Primary Examiner — April Rivas

Assistant Examiner — Justin A Johnson

(74) *Attorney, Agent, or Firm* — WPAT, PC

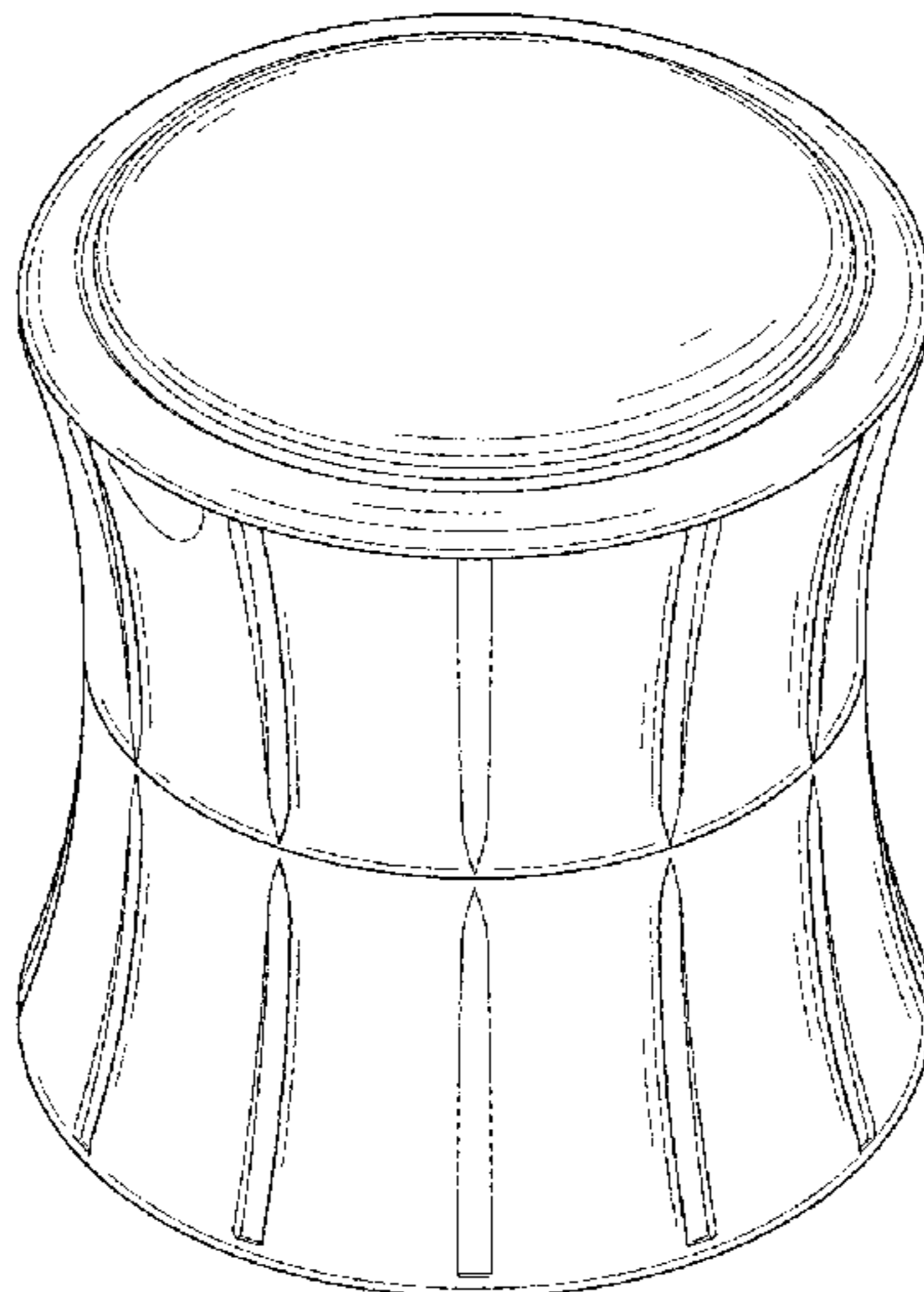
(57) **CLAIM**

The ornamental design for a drug grinder, as shown and described.

DESCRIPTION

FIG. 1 is a top perspective view of a drug grinder showing my new design;
FIG. 2 is a front elevation view thereof;
FIG. 3 is a rear elevation view thereof;
FIG. 4 is a left side elevation view thereof;
FIG. 5 is a right side elevation view thereof;
FIG. 6 is a top plan view thereof;
FIG. 7 is a bottom plan view thereof;
FIG. 8 is an exploded top perspective view thereof; and,
FIG. 9 is an exploded bottom perspective view thereof.
The broken lines shown are included for the purpose of illustrating unclaimed portions of the article and form no part of the claimed design.

1 Claim, 9 Drawing Sheets



(56)

References Cited

U.S. PATENT DOCUMENTS

D609,535 S * 2/2010 Kavanaugh D7/679
D628,010 S * 11/2010 De Pra' D7/372
D700,008 S * 2/2014 Ehrenhaus D7/376
D736,030 S * 8/2015 Cottam D7/372
D804,093 S * 11/2017 Chen D27/195
D853,803 S * 7/2019 Zhang D7/679
2015/0258551 A1 * 9/2015 Cottam B02C 7/184
241/36
2018/0199759 A1 * 7/2018 Qiu A47J 42/20
2018/0200685 A1 * 7/2018 Putrino B01F 11/0005

OTHER PUBLICATIONS

Amazon, "3 in 1 Pill Crusher Cutter", first available Jul. 29, 2017. (https://www.amazon.com/dp/B074CZ1LQD/ref=as_li_ss_tl?ie=UTF8&linkCode=ll1&tag=besthome09-20&linkId=fde2507c62fc53d426b1769ad4966ec1) (Year: 2017).*

Amazon, "MAXGRIND™ Pill Crusher and Grinder", first available Sep. 6, 2018. (<https://www.amazon.com/MAXGRINDTM-Pill-Crusher-Grinder-Blue/dp/B07H4TKPTT>) (Year: 2018).*

Medline, "Pharmacy Product Guide", first available 2020 (https://www.medline.com/media/catalog/Docs/MKT/LITe20487_CAT_Pharmacy_19W612163.pdf) (Year: 2020).*

* cited by examiner

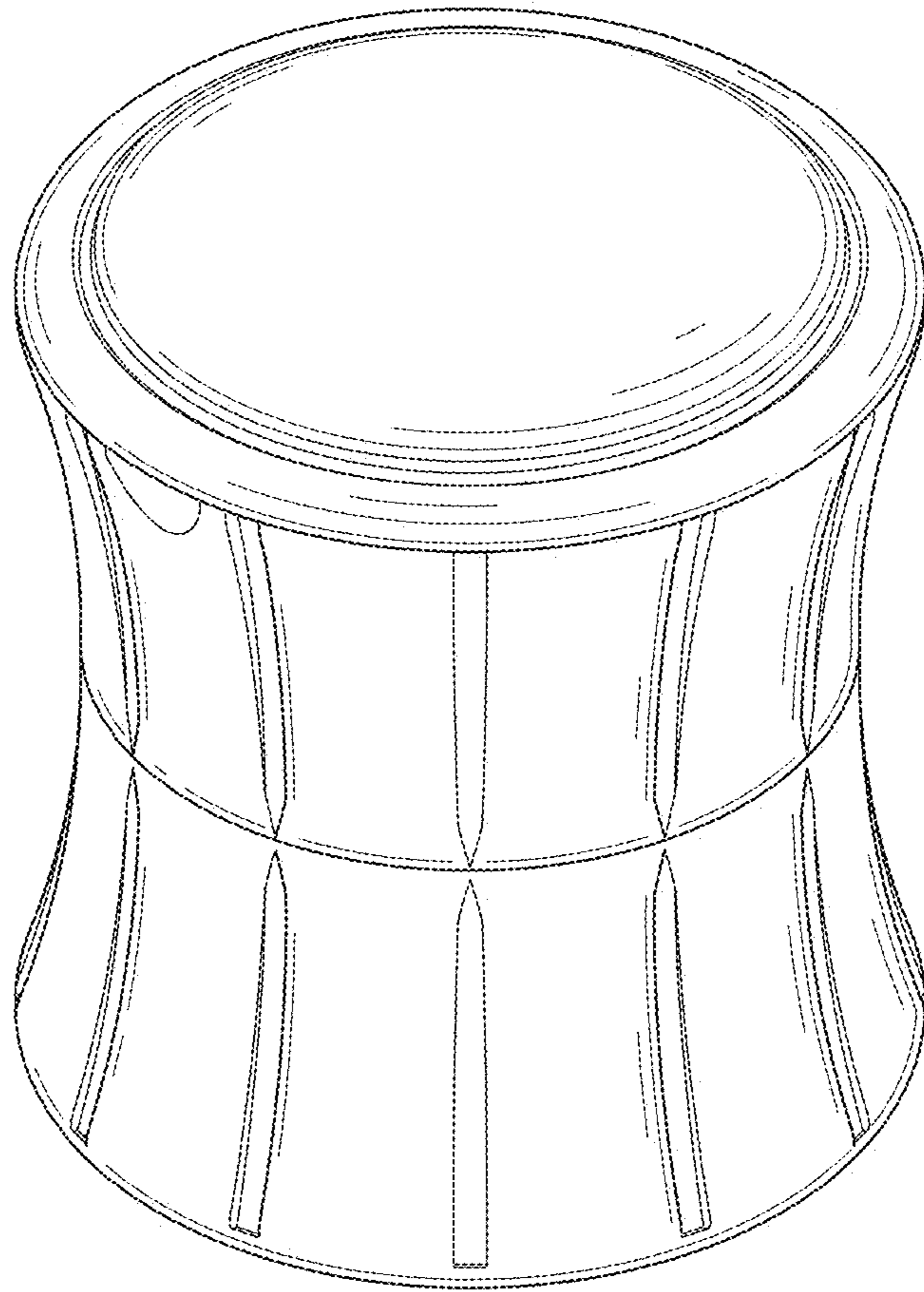


FIG. 1

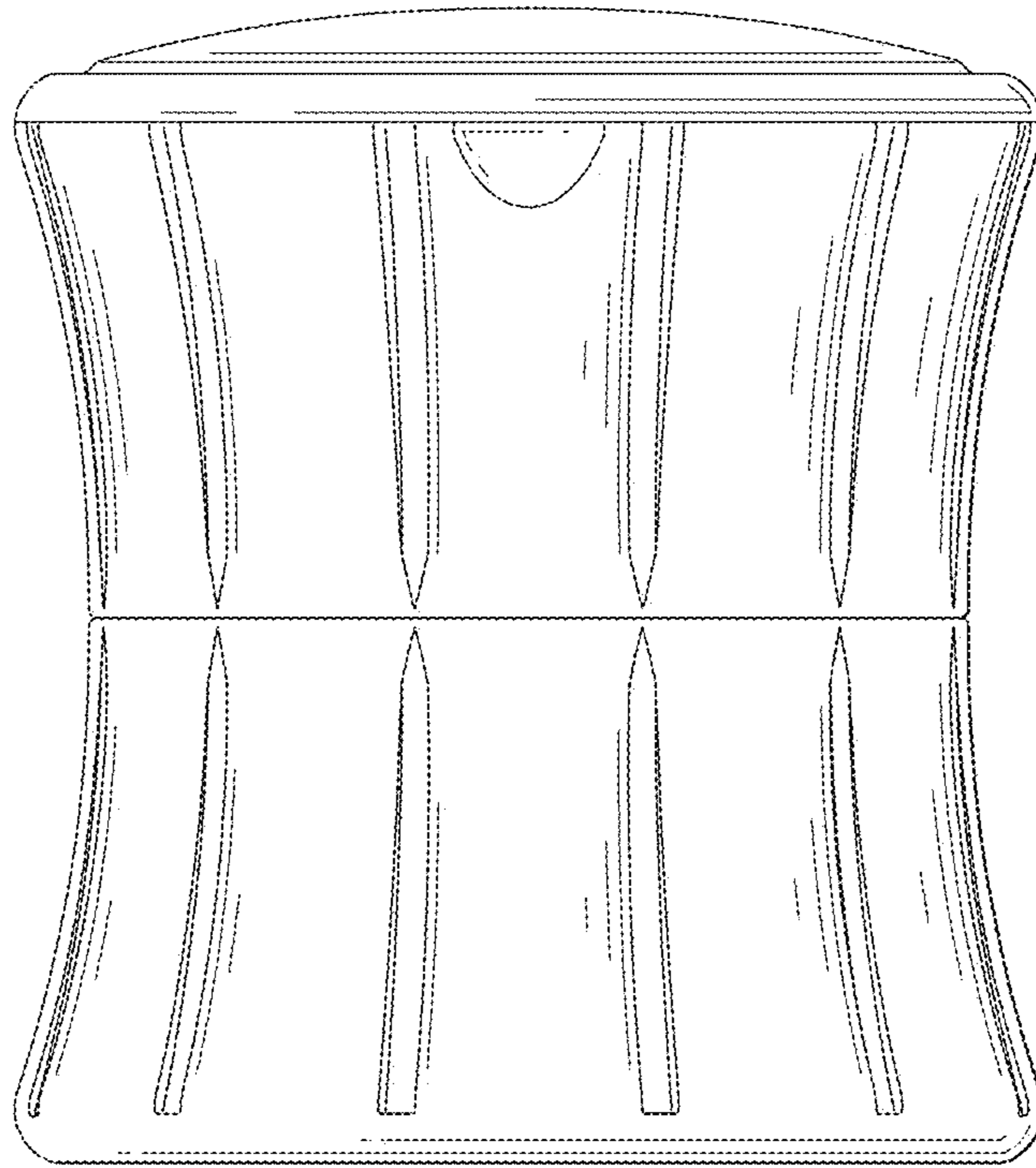


FIG. 2

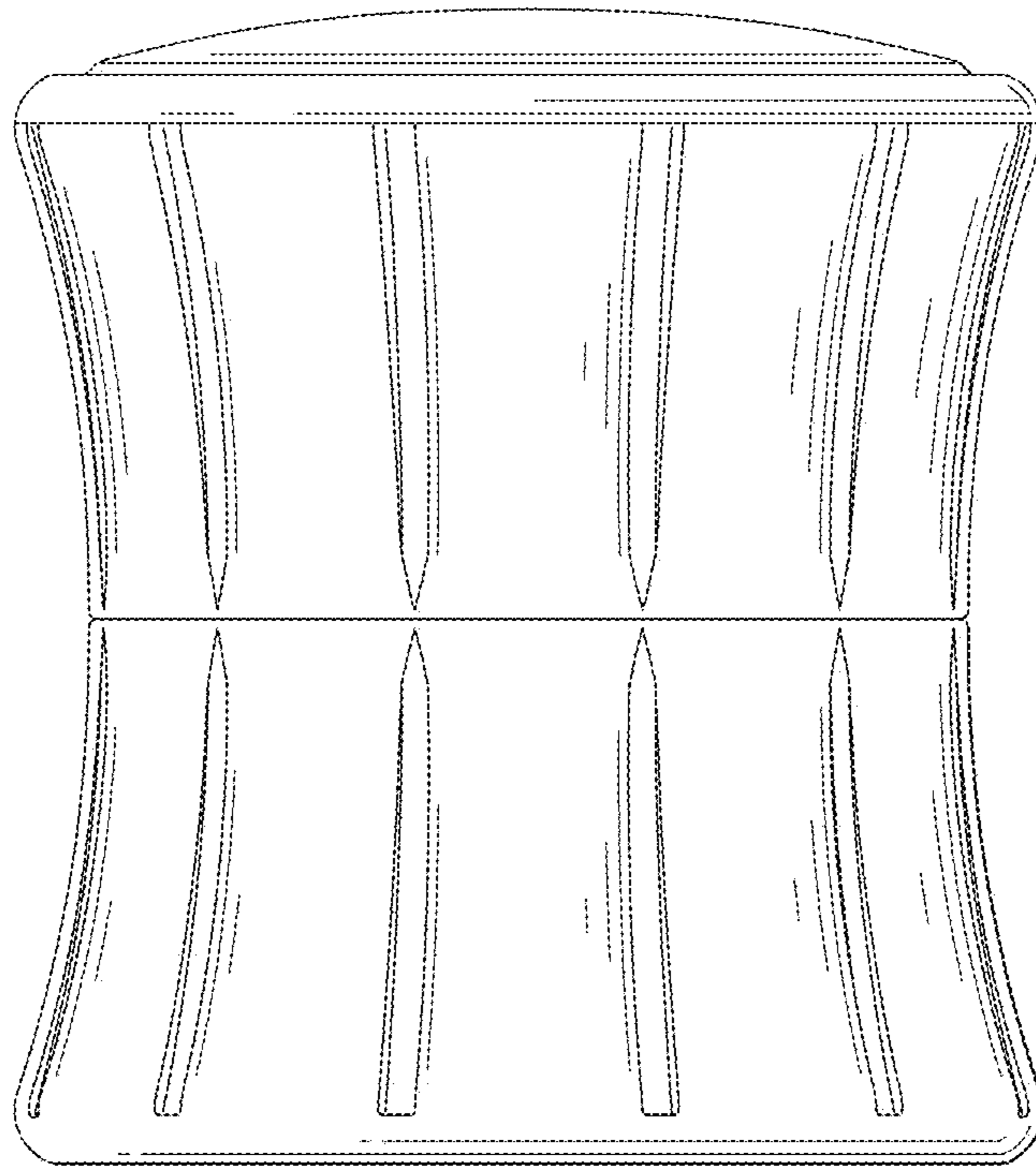


FIG. 3

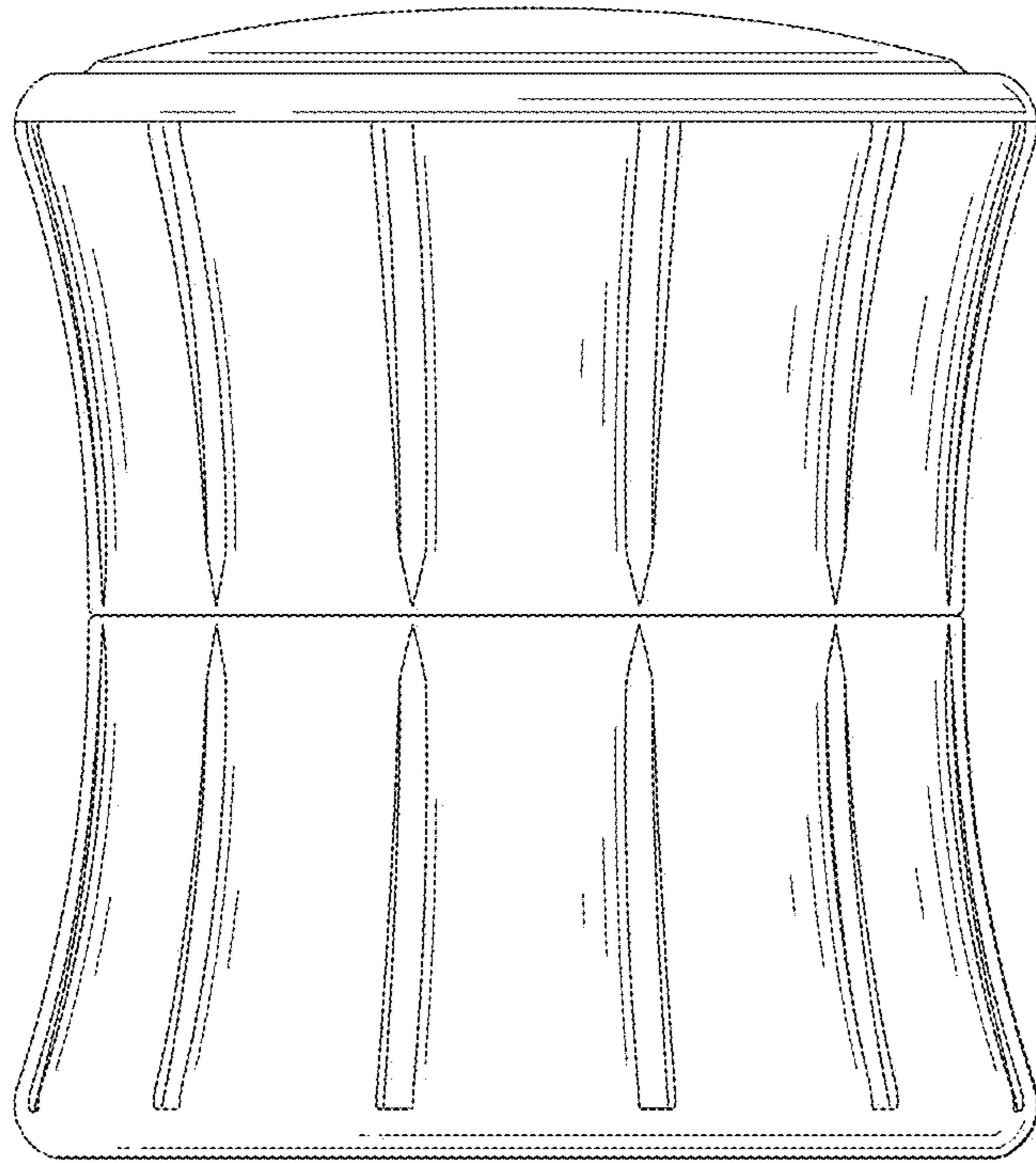


FIG. 4

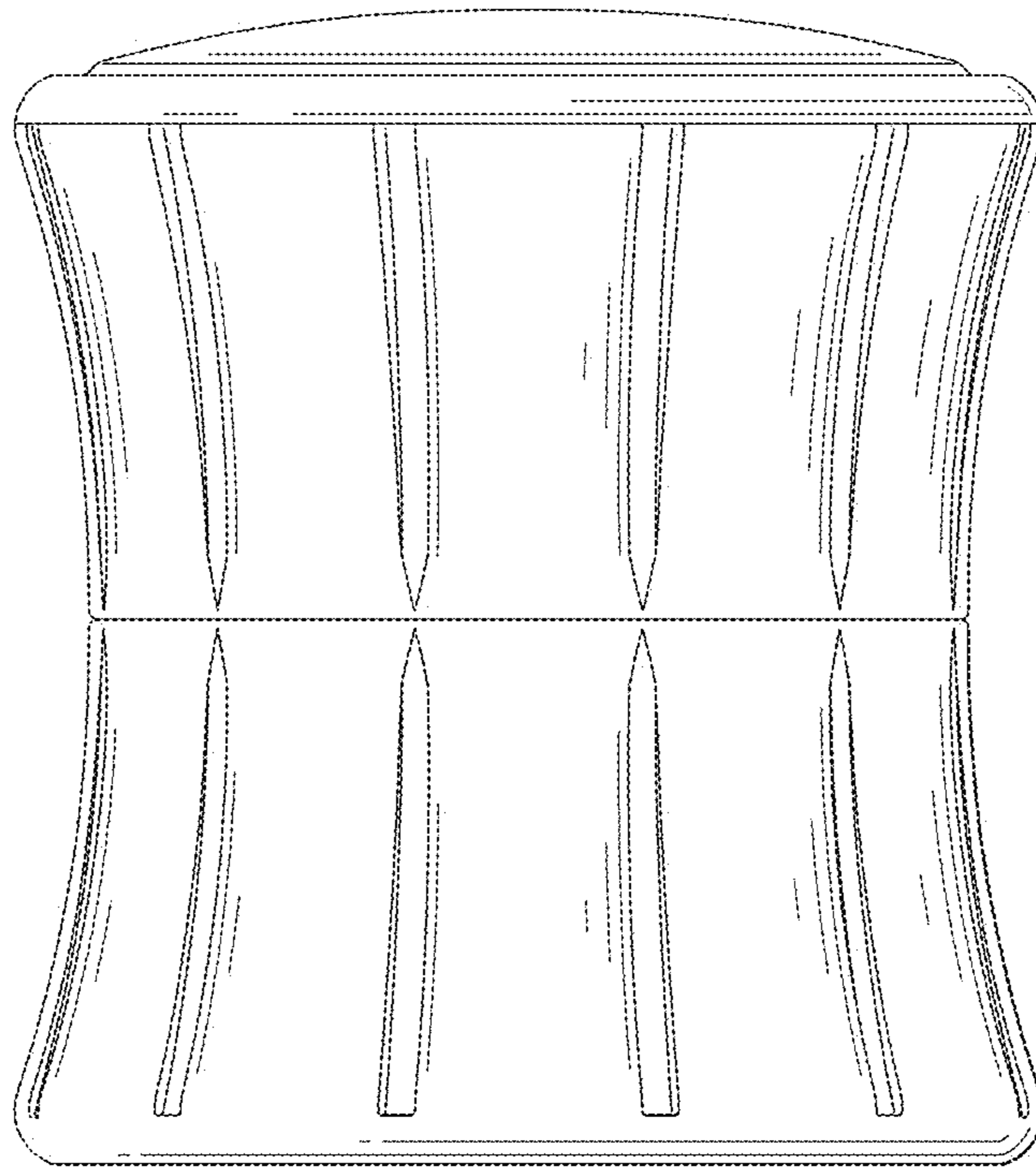


FIG. 5

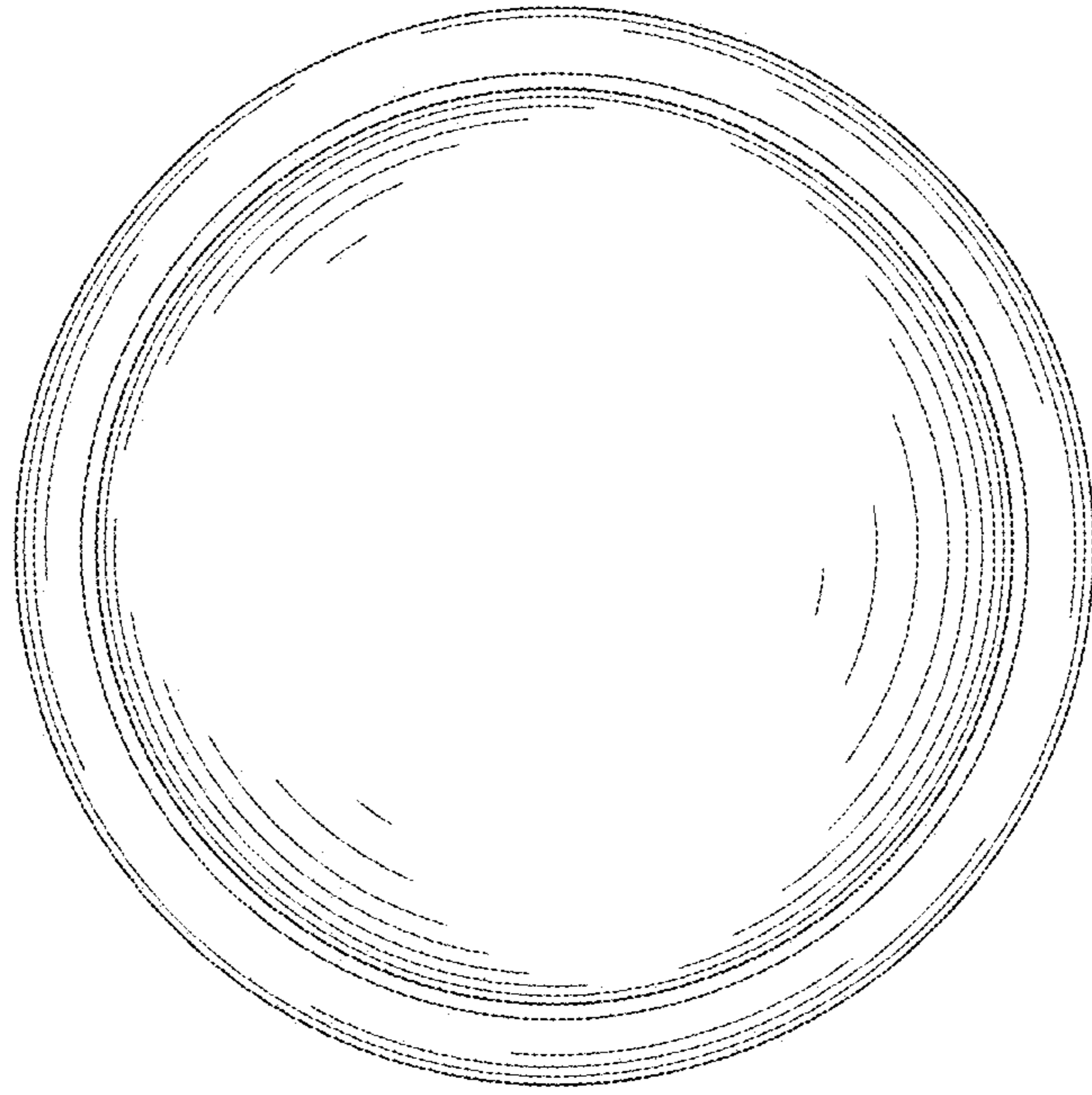


FIG. 6

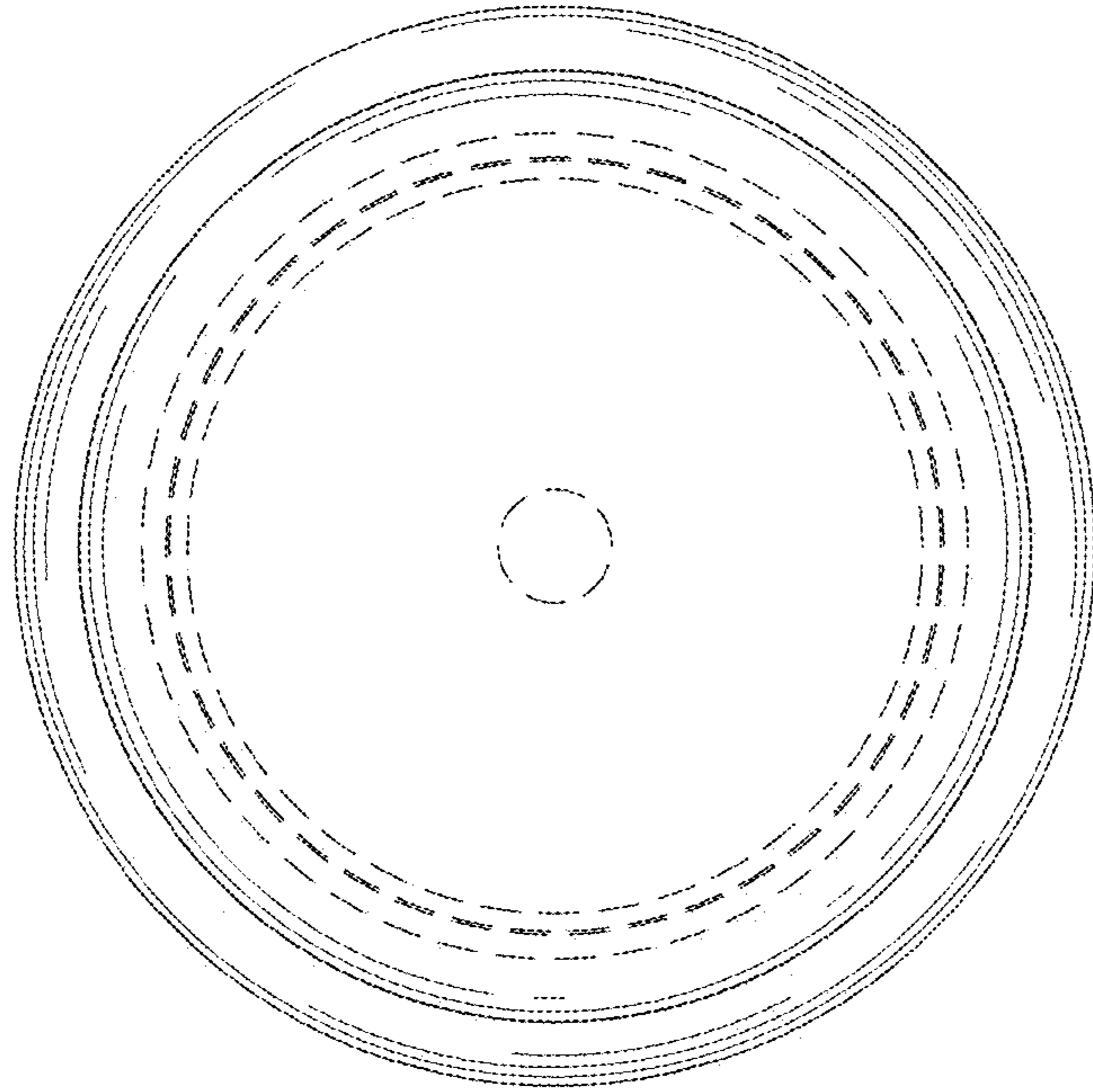


FIG. 7

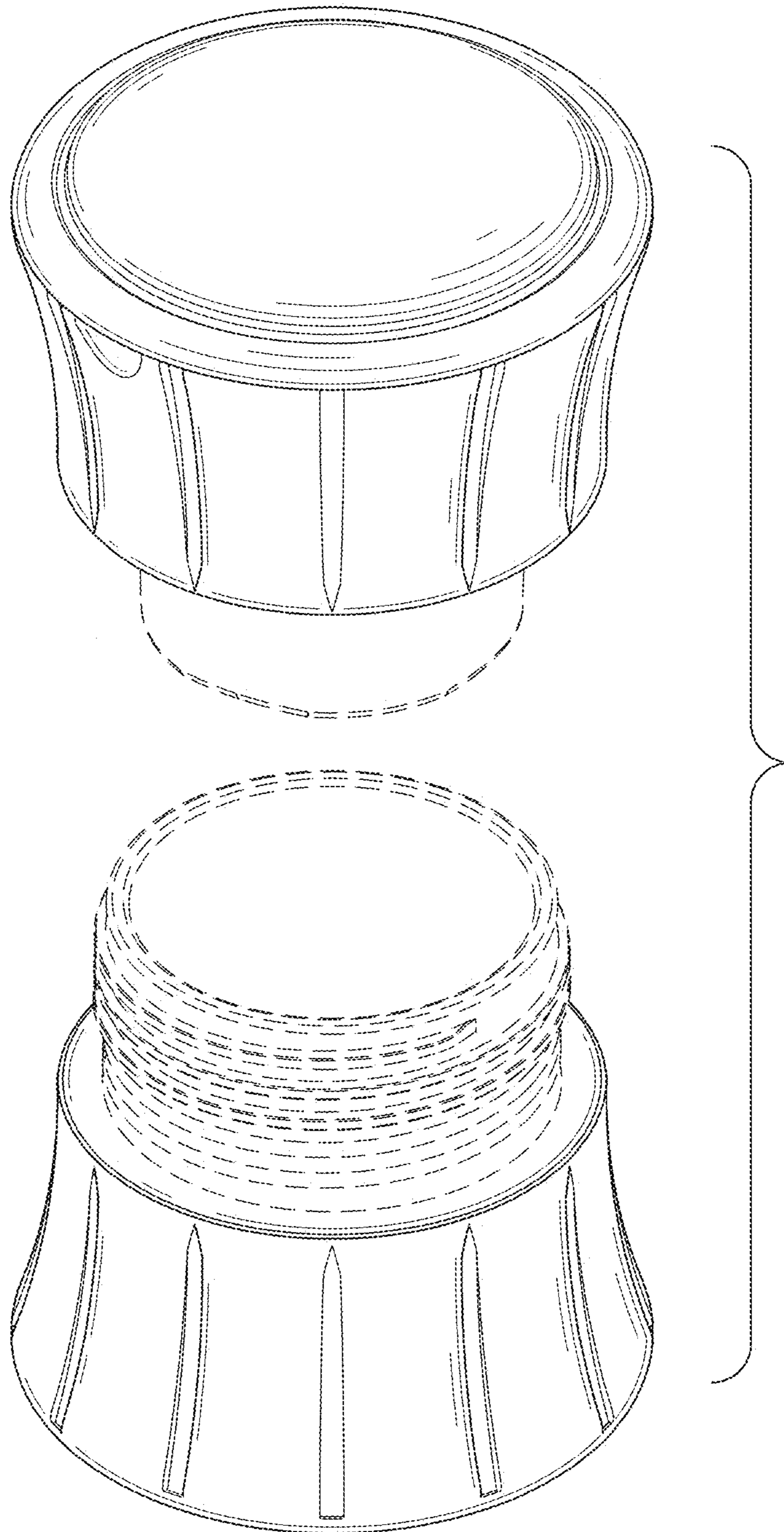


FIG. 8

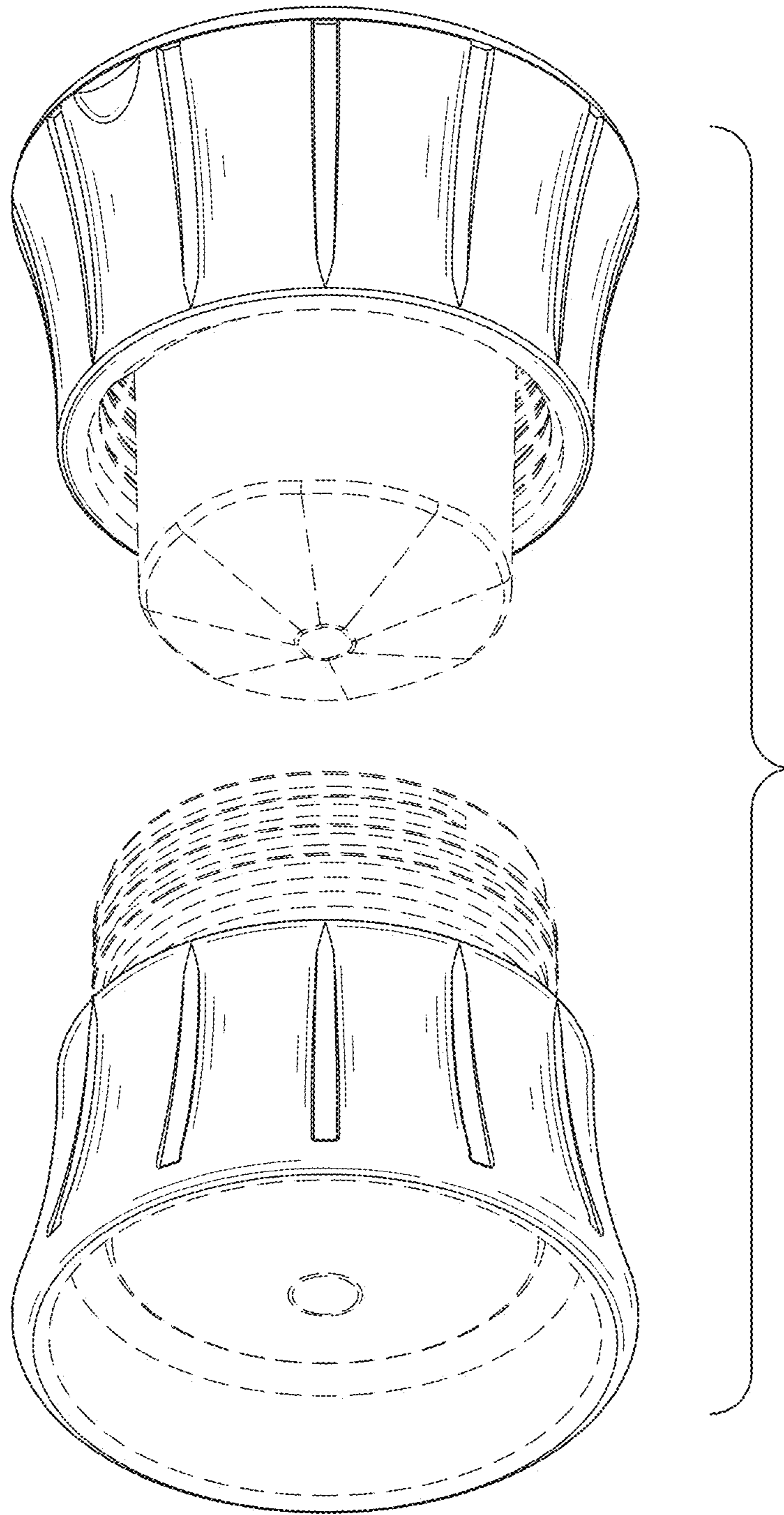


FIG. 9