



US00D907235S

(12) **United States Design Patent**
Liu et al.

(10) **Patent No.:** **US D907,235 S**
(45) **Date of Patent:** **** Jan. 5, 2021**

(54) **ENCLOSURE FOR DISSOLUTION SYSTEM**

(71) Applicant: **University of Hertfordshire Higher Education Corporation**, Hertfordshire (GB)

(72) Inventors: **Fang Liu**, Hertfordshire (GB); **Dean Fitzgerald**, Hertfordshire (GB); **Andrew Curl**, Hertfordshire (GB)

(73) Assignee: **University of Hertfordshire Higher Education Corporation**, Hertfordshire (GB)

(**) Term: **15 Years**

(21) Appl. No.: **29/640,220**

(22) Filed: **Mar. 13, 2018**

(30) **Foreign Application Priority Data**

Sep. 18, 2017 (EM) 004360428-0001
Sep. 18, 2017 (EM) 004360428-0002

(51) **LOC (13) Cl.** **24-02**

(52) **U.S. Cl.**
USPC **D24/220**

(58) **Field of Classification Search**
USPC D24/220, 216; D27/167; D23/269
CPC A61M 5/19; A61M 16/0463; A61C 5/66;
A61B 17/0485; B01F 11/0082
See application file for complete search history.

(56) **References Cited**

U.S. PATENT DOCUMENTS

3,192,774 A * 7/1965 Simoons G01N 13/00
73/866
3,223,486 A * 12/1965 Holl, Jr. G01N 35/08
422/82
3,791,222 A 2/1974 Goodhart et al.

3,927,195 A * 12/1975 Messoria A61J 3/071
424/454
4,503,031 A * 3/1985 Glassman A61K 9/0007
424/44
4,564,363 A * 1/1986 Bagnall A61D 7/00
604/891.1

(Continued)

FOREIGN PATENT DOCUMENTS

EP 1308710 A2 5/2003
EP 2402748 A1 1/2012

(Continued)

OTHER PUBLICATIONS

World Intellectual Property Office, Invitation to Pay Additional Fees and Communication Relating to the Results of the Partial International Search, International Application No. PCT/GB2018/052625, dated Dec. 21, 2018, 5 pages.

(Continued)

Primary Examiner — Rhea Shields

(74) *Attorney, Agent, or Firm* — Wood Herron & Evans LLP

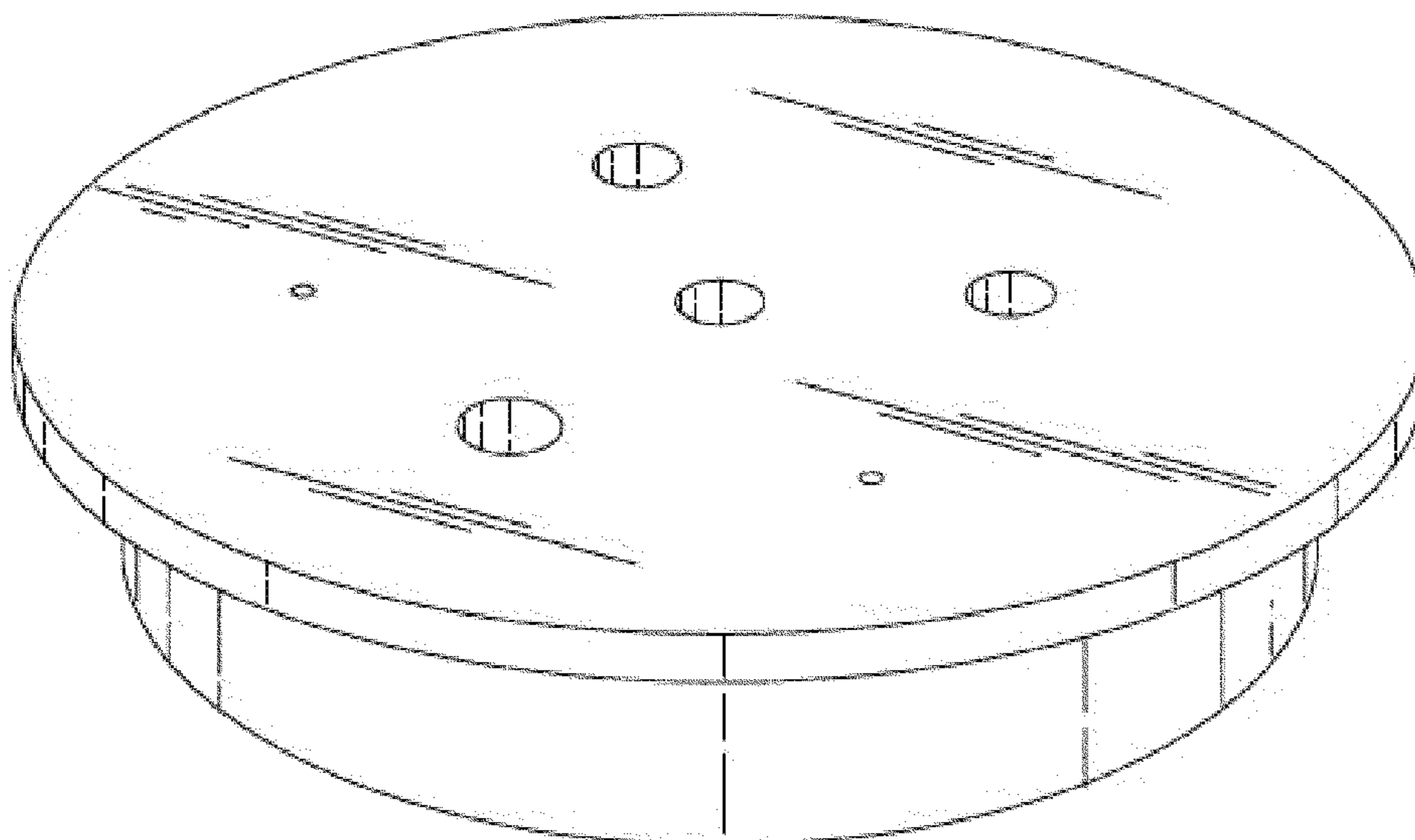
(57) **CLAIM**

The ornamental design for an enclosure for dissolution system, as shown and described.

DESCRIPTION

FIG. 1 is a side view of an enclosure for dissolution system showing our new design;
FIG. 2 is a top plan view thereof;
FIG. 3 is a bottom plan view thereof;
FIG. 4 is a top perspective view thereof;
FIG. 5 is a bottom perspective view thereof;
FIG. 6 is a cross-sectional view taken along line 6-6 of FIG. 2; and,
FIG. 7 is an exploded view of the design shown in FIGS. 1-5.

1 Claim, 4 Drawing Sheets



(56)

References Cited

U.S. PATENT DOCUMENTS

4,713,248 A * 12/1987 Kjornaes A61K 9/5073
424/468
4,816,262 A * 3/1989 McMullen A61K 9/2072
424/467
5,174,775 A * 12/1992 Birch H01R 13/703
200/51.1
5,350,105 A * 9/1994 Delalle H01R 4/723
228/56.3
5,487,901 A * 1/1996 Conte A61K 9/209
424/464
5,807,115 A 9/1998 Hu
D715,958 S * 10/2014 Bossart D24/216
D837,397 S * 1/2019 Vellutato, Jr. G01N 1/2273
D24/216
D856,498 S * 8/2019 Bayyouk D23/269
D864,477 S * 10/2019 Liu D27/167
2007/0196929 A1 8/2007 Stuart et al.
2011/0183371 A1* 7/2011 Noda C12Q 1/008
435/39
2012/0034704 A1 2/2012 Hughes et al.
2014/0013866 A1* 1/2014 Vellutato, Jr. G01N 1/22
73/864.51

FOREIGN PATENT DOCUMENTS

WO 2007054342 A1 5/2007
WO 2013164629 A1 11/2013
WO 2015142178 A1 9/2015

OTHER PUBLICATIONS

European Patent Office, International Search Report and Written Opinion of the International Searching Authority, International Application No. PCT/GB2018/052625, dated Mar. 27, 2019 (19 pages).
United Kingdom Intellectual Property Office, Patents Act 1977: Combined Search and Examination Report under Sections 17 and 18(3), Application No. GB1714942.8, dated Jun. 26, 2018 (8 pages).
Heigoldt et al., Predicting In Vivo Absorption Behavior of Oral Modified Release Dosage Forms Containing pH-Dependent Poorly Soluble Drugs Using A Novel pH-Adjusted Biphasic In Vitro Dissolution Test, European Journal of Pharmaceutics and Biopharmaceutics, 76, Sep. 2010, epublished May 22, 2010, pp. 105-111.
Liu, Fang, et al., A novel concept in enteric coating: A double-coating system providing rapid drug release in the proximal small intestine, European Journal of Pharmaceutics and Biopharmaceutics, Elsevier Science Publishers B.V., Journal of Controlled Release 133, Jan. 19, 2009, pp. 119-124.
Liu, Fang, et al., Evolution of a physiological pH 6.8 bicarbonate buffer system: Application to the dissolution testing of enteric coated products, European Journal of Pharmaceutics and Biopharmaceutics 78, Jan. 11, 2011, pp. 151-157, Elsevier Science Publishers B.V.

* cited by examiner

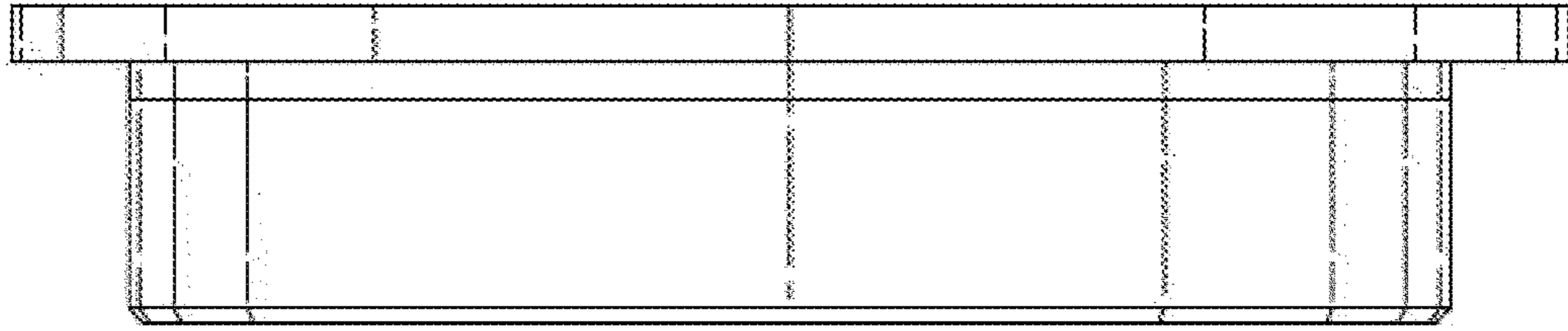


FIG. 1

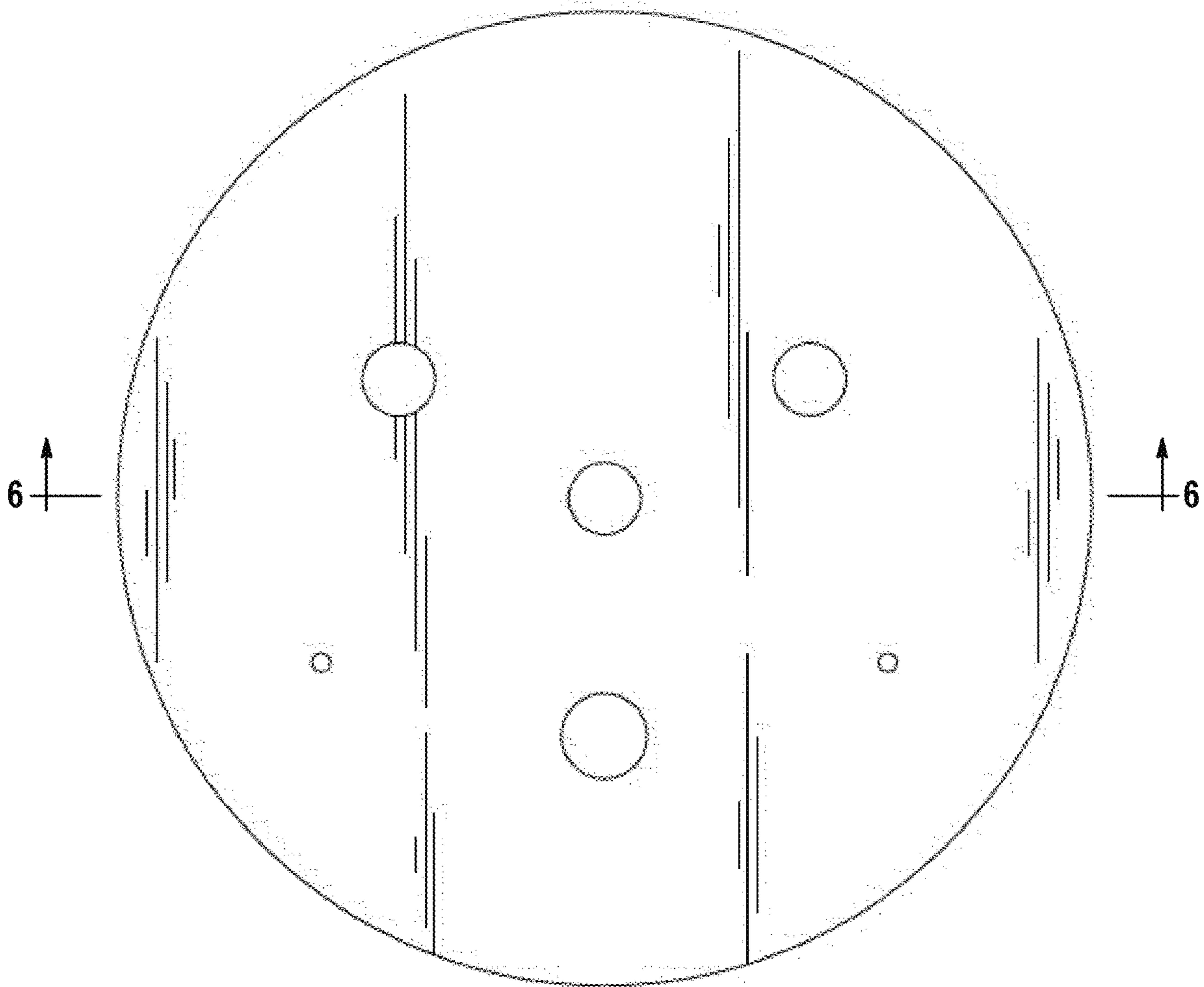


FIG. 2

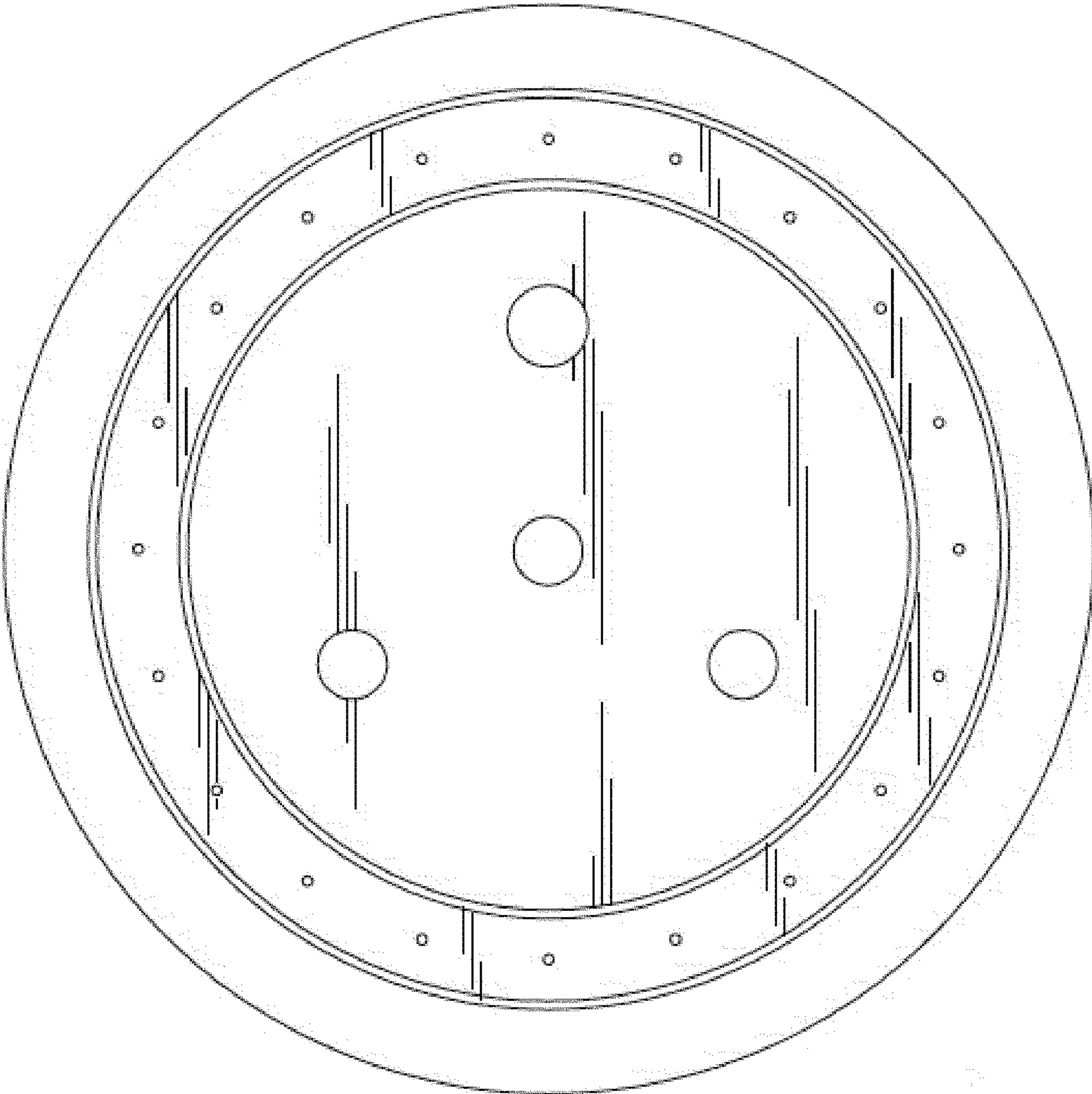


FIG. 3

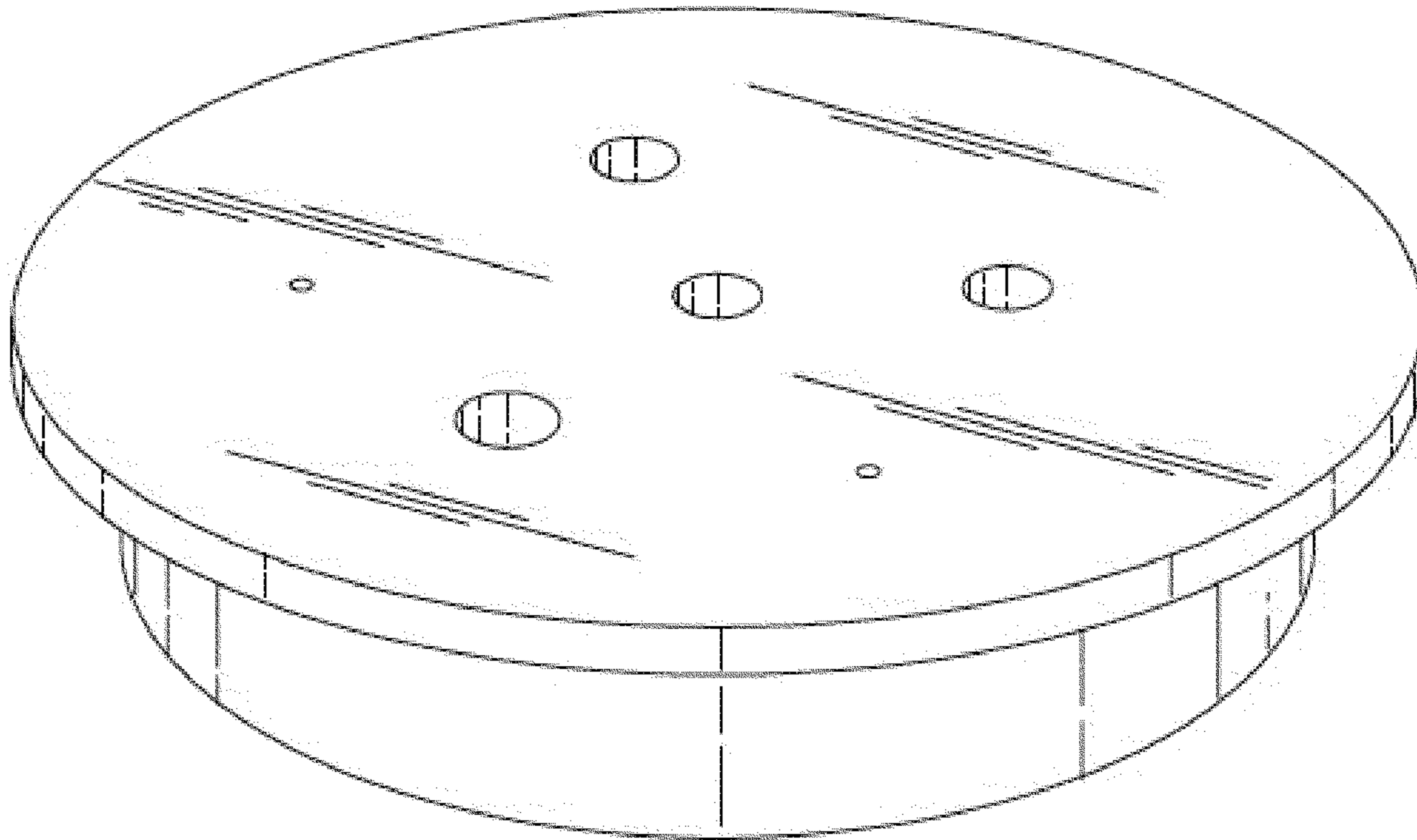


FIG. 4

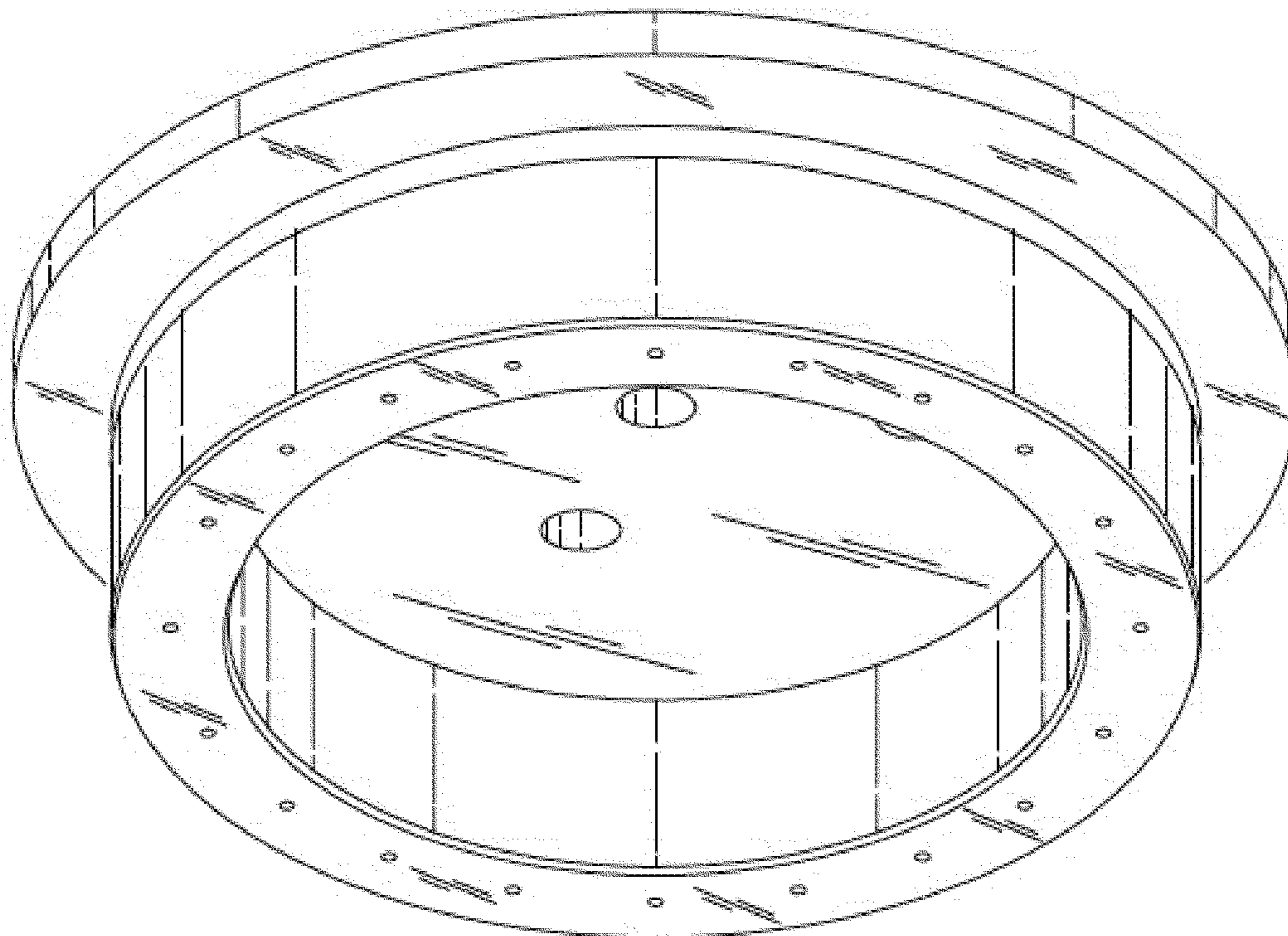


FIG. 5

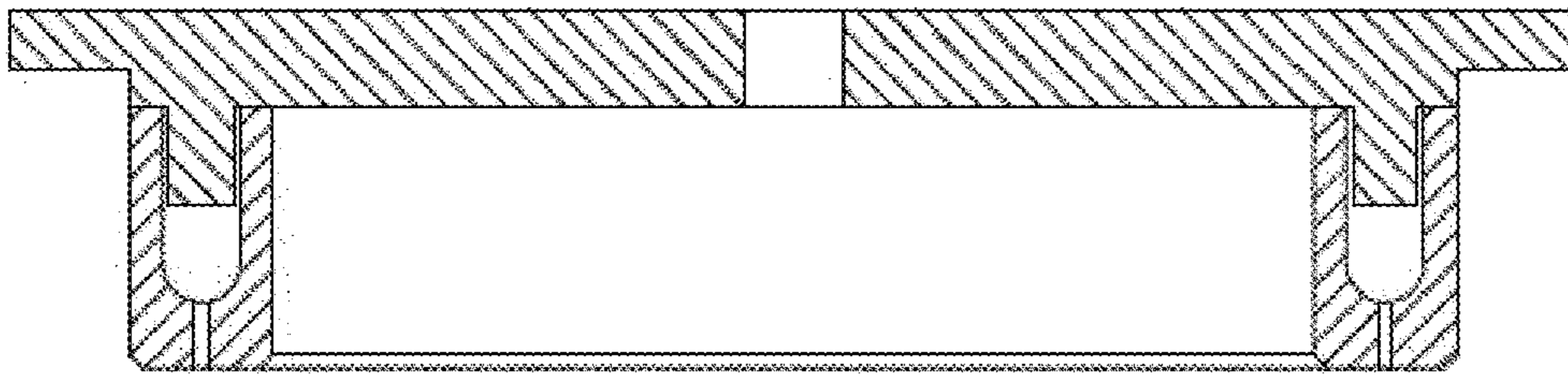


FIG. 6

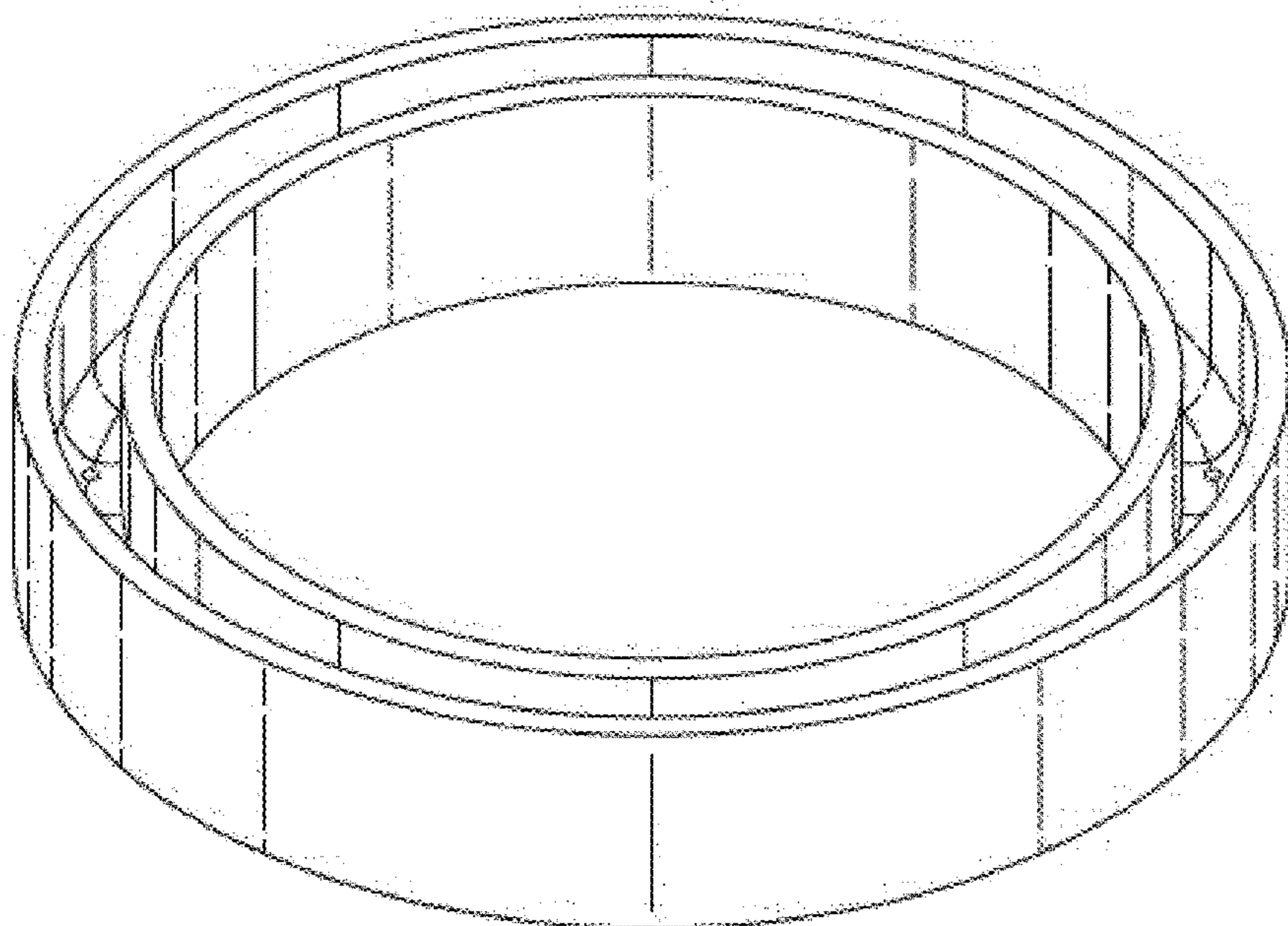
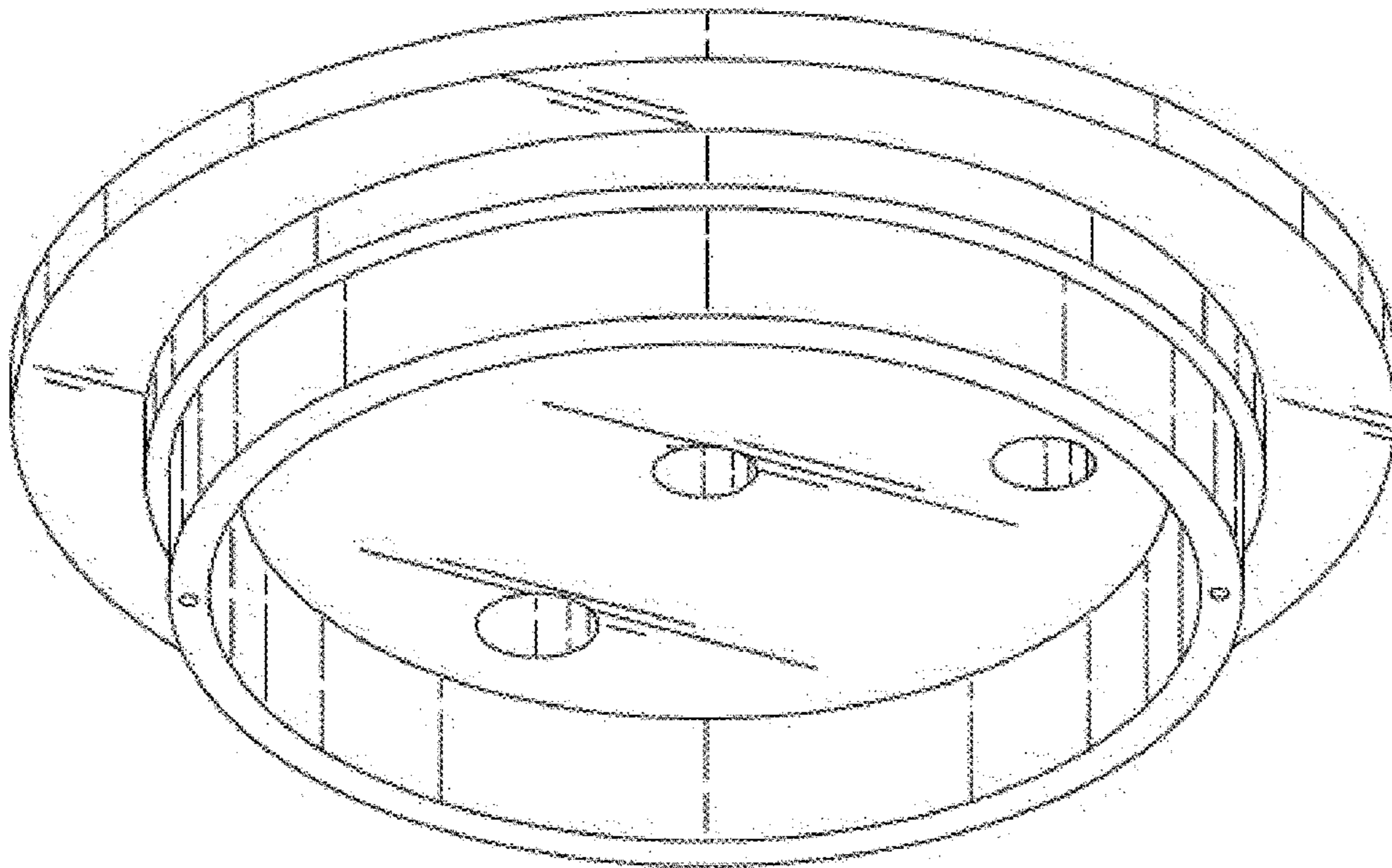


FIG. 7