



US00D907234S

(12) **United States Design Patent** (10) **Patent No.:** **US D907,234 S**  
**Rosin et al.** (45) **Date of Patent:** **\*\* Jan. 5, 2021**

(54) **SUPPORT ASSEMBLY FOR MEDICAL INSTRUMENTS**

(71) Applicant: **Aesculap AG**, Tuttlingen (DE)  
(72) Inventors: **Bianca Rosin**, Tuttlingen (DE);  
**Mariana Jakab**, Tuttlingen (DE)  
(73) Assignee: **Aesculap AG**, Tuttlingen (DE)  
(\*\*) Term: **15 Years**

(21) Appl. No.: **35/507,783**

(22) Filed: **Apr. 18, 2019**

(80) **Hague Agreement Data**

Int. Filing Date: **Apr. 18, 2019**  
Int. Reg. No.: **DM/203910**  
Int. Reg. Date: **Apr. 18, 2019**  
Int. Reg. Pub. Date: **Nov. 15, 2019**

(30) **Foreign Application Priority Data**

Nov. 9, 2018 (EM) ..... 005821717

(51) **LOC (13) Cl.** ..... **24-02**

(52) **U.S. Cl.**  
USPC ..... **D24/217**

(58) **Field of Classification Search**

USPC ..... D24/107, 108, 186, 200, 209–213, 217,  
D24/218, 219, 224–232; D9/456;  
D14/217; D12/167, 172; D34/19, 38  
CPC .. A61L 2202/24; A61L 2/26; A61L 2202/182;  
A61L 2202/10; A61B 50/33; A61B  
2090/701; A61B 1/00144; A61B 1/121;  
A61B 2050/005; A61B 2050/007; A61B  
50/00; A61B 50/20

See application file for complete search history.

(56) **References Cited**

U.S. PATENT DOCUMENTS

D374,936	S	*	10/1996	Jakab	.....	D24/217
6,331,280	B1	*	12/2001	Wood	.....	A61L 2/26 206/268
D458,448	S	*	6/2002	Jakab	.....	D24/217
D531,734	S	*	11/2006	Haunschild	.....	D24/217
D557,814	S	*	12/2007	Glenn	.....	D24/217
D668,348	S	*	10/2012	Murphy	.....	D24/217
D721,441	S	*	1/2015	Tipton	.....	D24/217
D867,610	S	*	11/2019	Ohata	.....	D24/217
D873,408	S	*	1/2020	Li	.....	D24/108
D877,927	S	*	3/2020	Nathan	.....	D24/217
D878,620	S	*	3/2020	Nathan	.....	D24/217

\* cited by examiner

*Primary Examiner* — Samantha Q Lawrence

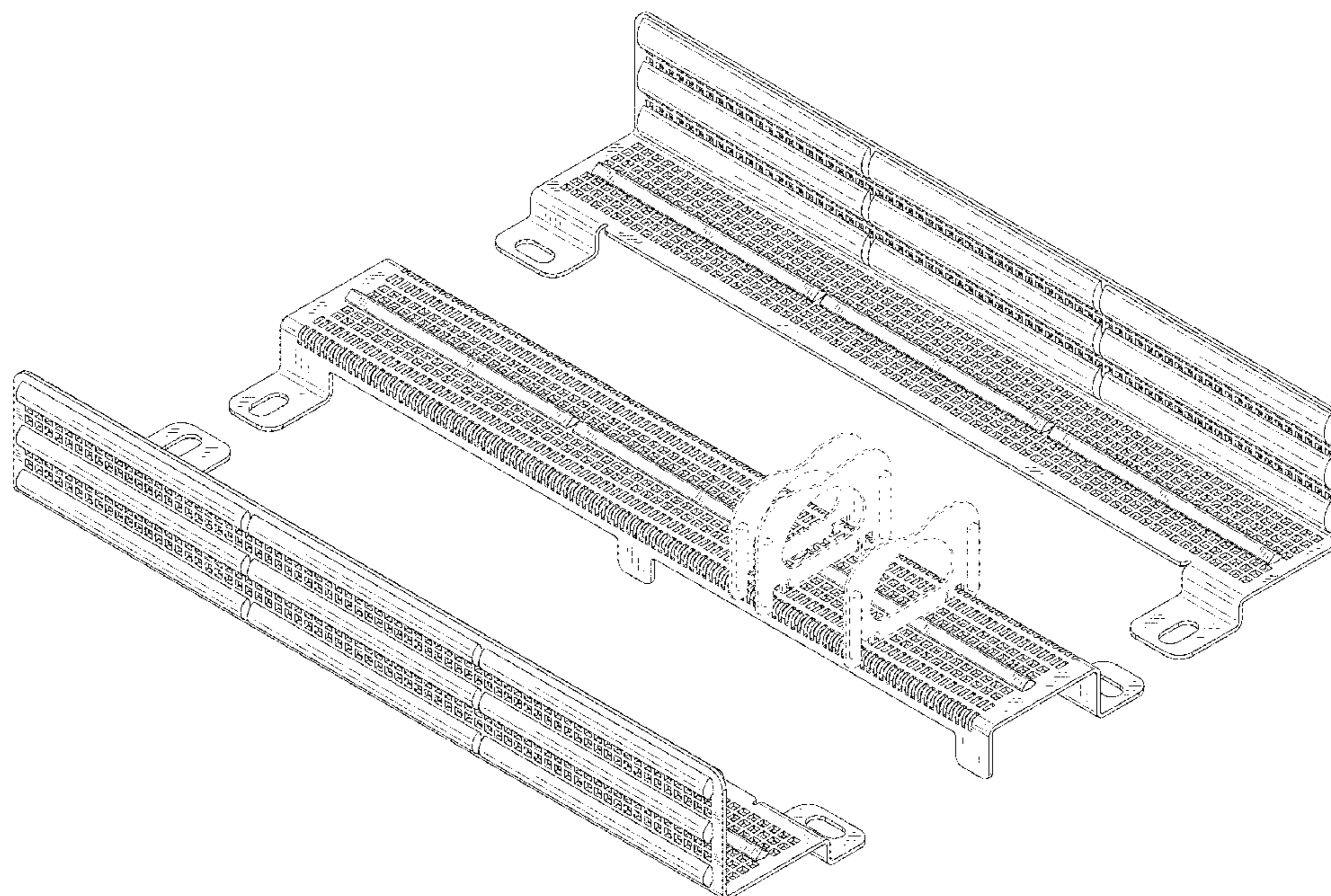
(57) **CLAIM**

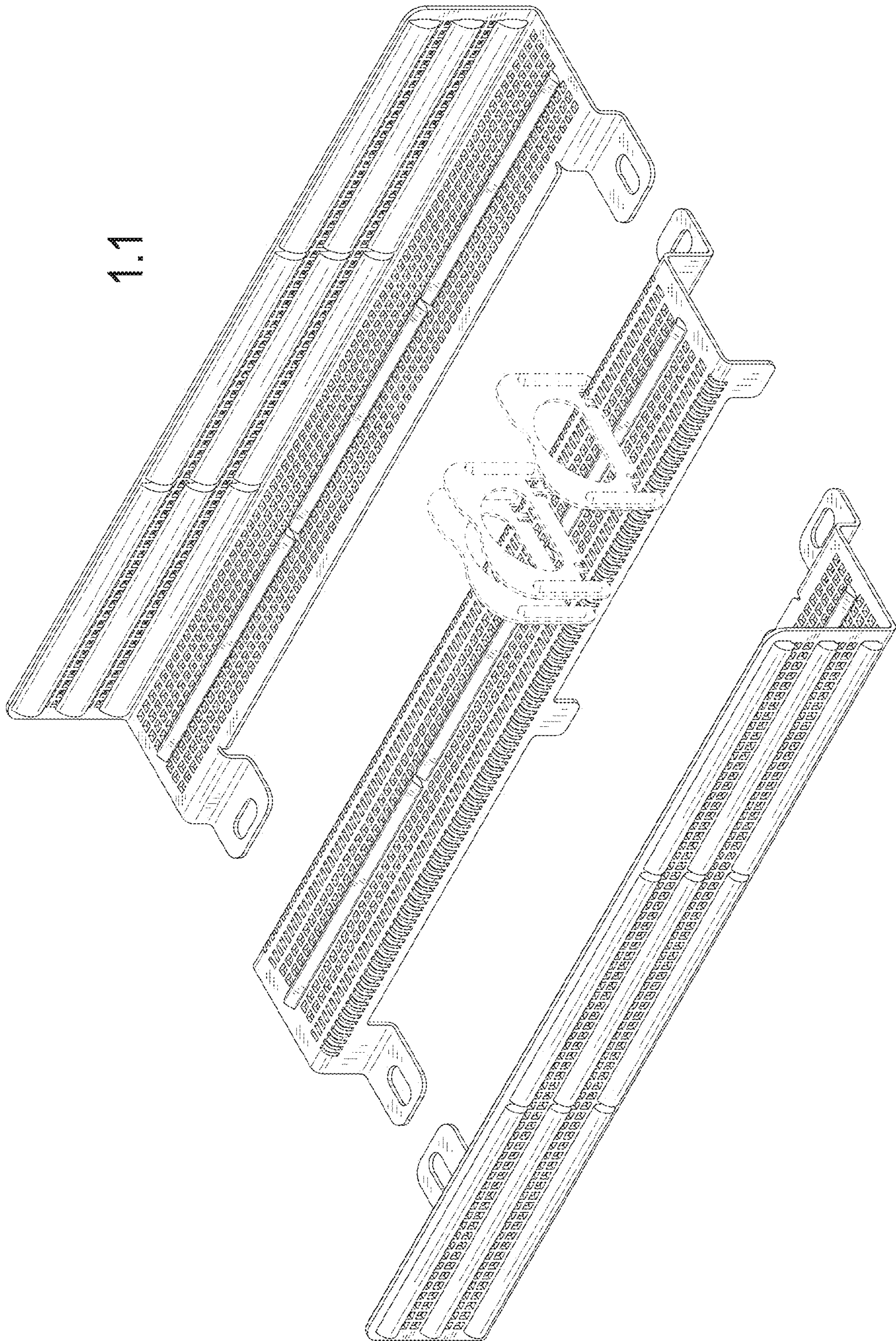
The ornamental design for a support assembly for medical instruments, as shown and described.

**DESCRIPTION**

Fig. 1.1 is a perspective view of a support assembly for medical instruments;  
Fig. 1.2 is a front view thereof;  
Fig. 1.3 is a rear view thereof;  
Fig. 1.4 is a left side view thereof;  
Fig. 1.5 is a right side view thereof;  
Fig. 1.6 is a top view thereof; and  
Fig. 1.7 is a bottom view thereof.  
The broken lines shown in Figures 1.1-1.3 and Figures 1.6-1.7 illustrate portions of the bearing system for sterilization tray for medical instruments and form no part of the claimed design.

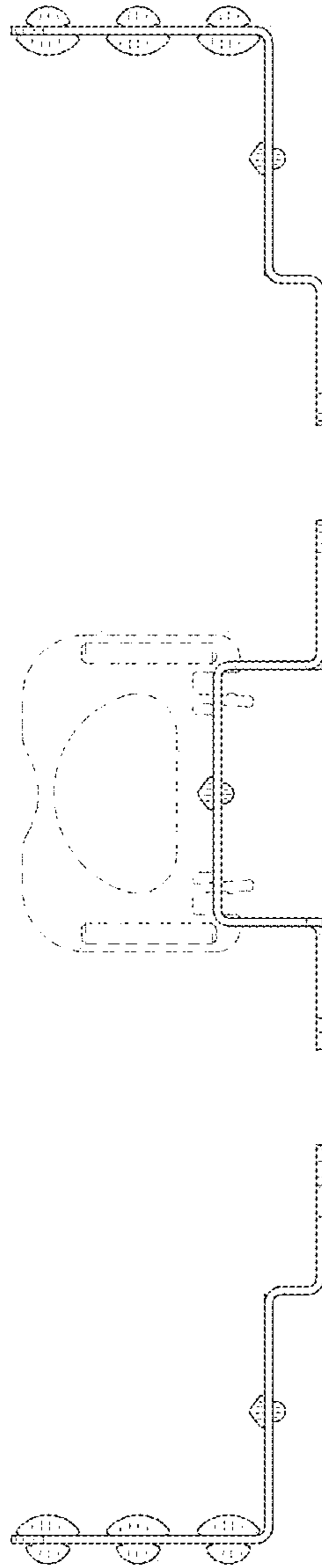
**1 Claim, 7 Drawing Sheets**



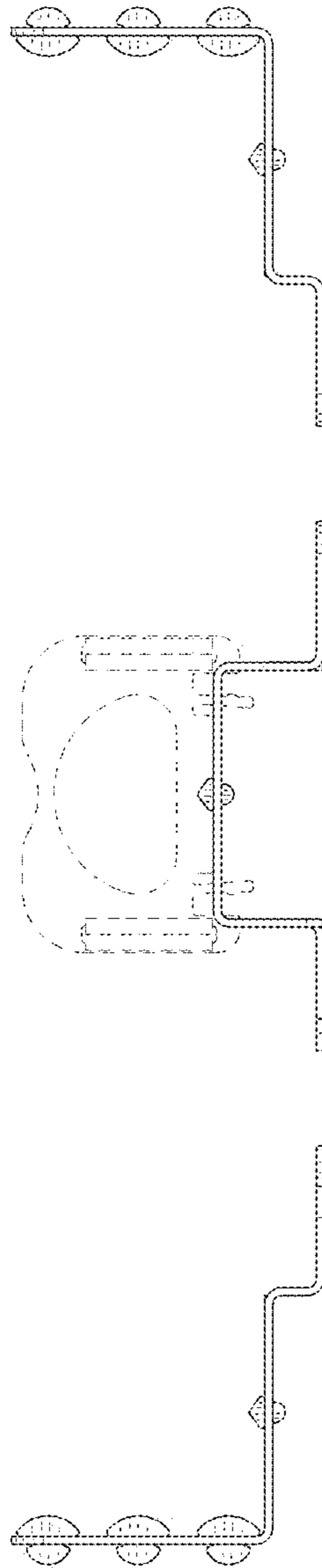


1.1

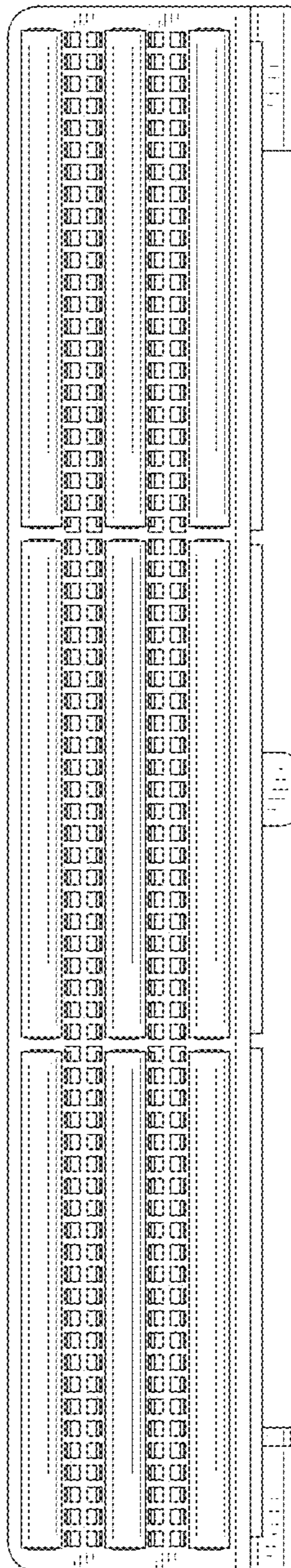
1.2



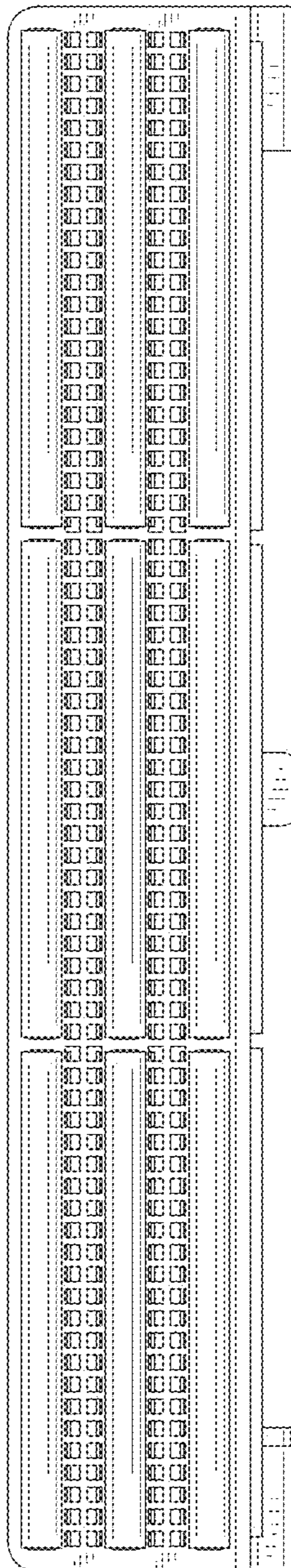
1.3



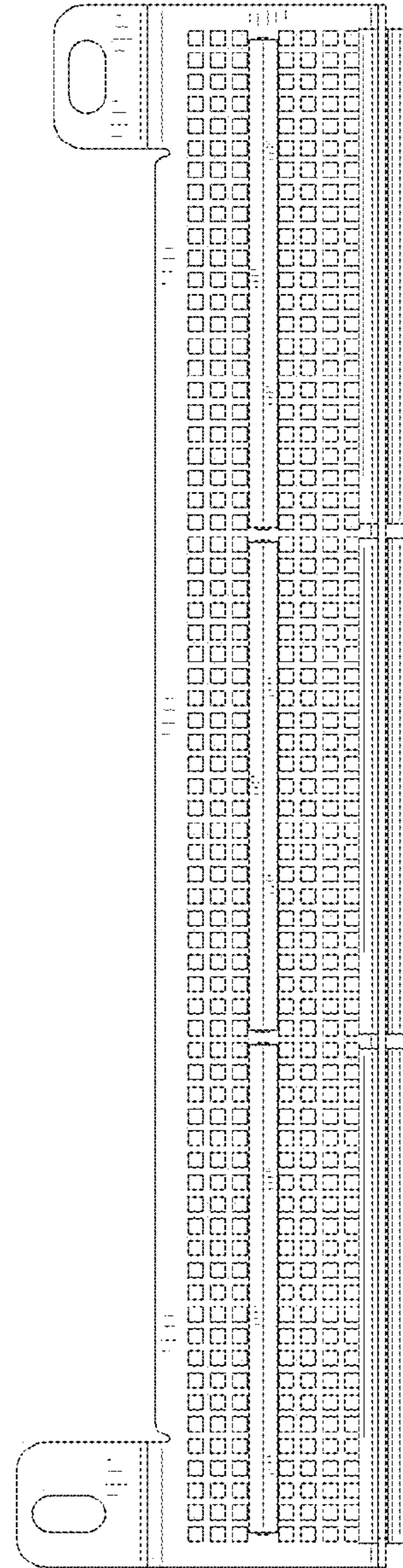
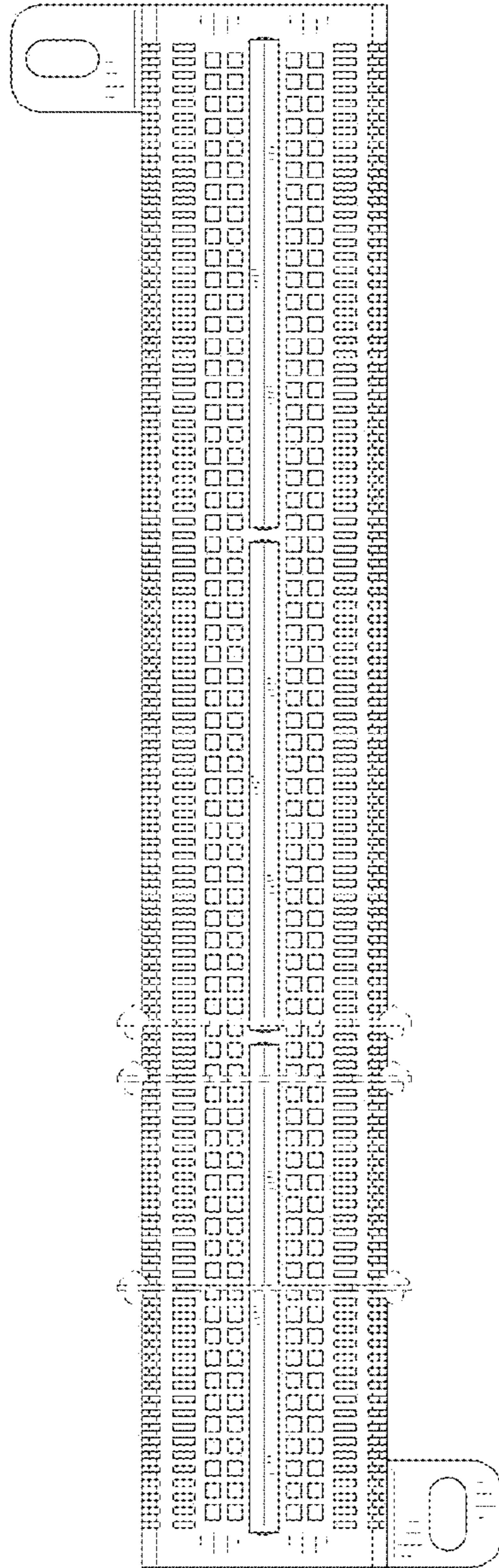
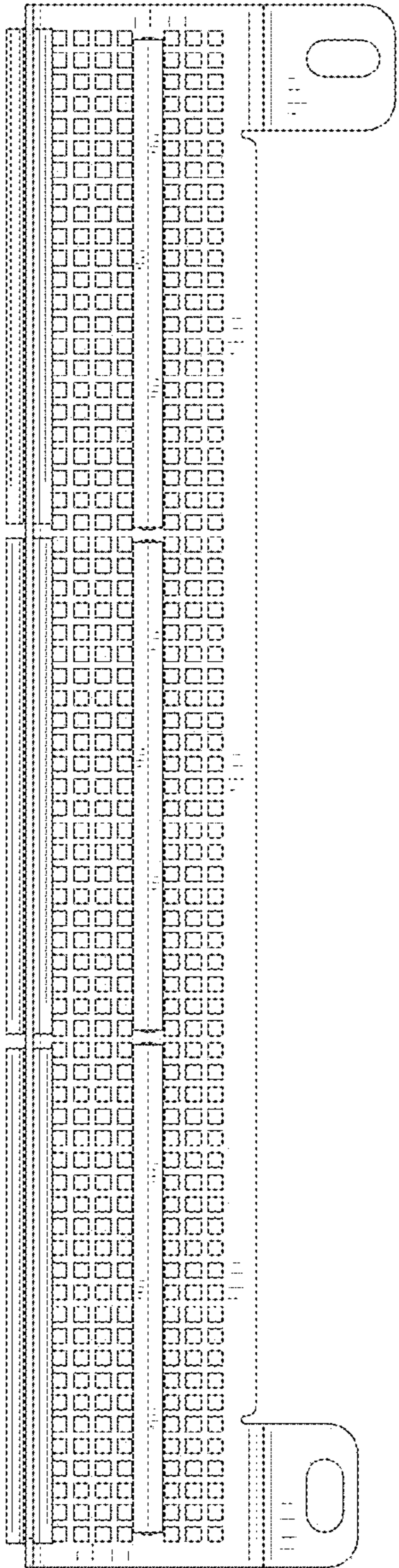
1.4



1.5



1.6



1.7

