

US00D907233S

(12) **United States Design Patent** (10) **Patent No.:** **US D907,233 S**
Wu et al. (45) **Date of Patent:** **** Jan. 5, 2021**

(54) **ULTRASONIC CLEANER**

(56) **References Cited**

(71) Applicant: **GUANGDONG GT ULTRASONIC CO., LTD.**, Meizhou (CN)

U.S. PATENT DOCUMENTS

(72) Inventors: **Yinlong Wu**, Meizhou (CN); **Shuang Tian**, Meizhou (CN); **Yaogui Lu**, Meizhou (CN)

D321,564	S	*	11/1991	Miller	D24/217
D440,662	S	*	4/2001	Ferber	D24/200
D593,262	S	*	5/2009	Gong	D24/217
D680,225	S	*	4/2013	Boonprasop	D24/217
D752,763	S	*	3/2016	Rondoni	D24/186
D850,030	S	*	5/2019	Tian	D32/1
2007/0265511	A1	*	11/2007	Renouf	A61F 17/00 600/319
2015/0374868	A1	*	12/2015	Bruce	A61L 2/208 422/3
2017/0324267	A1	*	11/2017	Decker	H02J 50/12
2019/0099509	A1	*	4/2019	Martz	A61L 2/10

(73) Assignee: **GUANGDONG GT ULTRASONIC CO., LTD.**, Meizhou (CN)

(**) Term: **15 Years**

* cited by examiner

(21) Appl. No.: **29/643,042**

Primary Examiner — Lilyana Bekic
Assistant Examiner — Mary Shannon Malley
(74) *Attorney, Agent, or Firm* — Cheng-Ju Chiang

(22) Filed: **Apr. 3, 2018**

(30) **Foreign Application Priority Data**

Feb. 8, 2018 (CN) 2018 3 0062176

(51) **LOC (13) Cl.** **24-01**

(52) **U.S. Cl.**
USPC **D24/217**

(58) **Field of Classification Search**

USPC D24/200, 209–213, 217–219, 224–232,
D24/186, 107, 108; D23/366; D32/1,
D32/25; D28/44, 73; 422/24, 26, 27,
422/307; 250/455.11

CPC A61L 2/26; A61L 2/24; A61L 2/17; A61L
2/18; A61L 2/025; A61L 2/10; A61L
2/084; A61L 2202/122; A61L 2202/10;
A61L 2202/11; A61L 2202/14; A61L
2202/23; A61L 2202/24; A61L 2202/182;
C02F 1/32; C02F 1/325; A61H 15/00;
A61H 15/0007; A61H 2015/0042; A63B
43/06

See application file for complete search history.

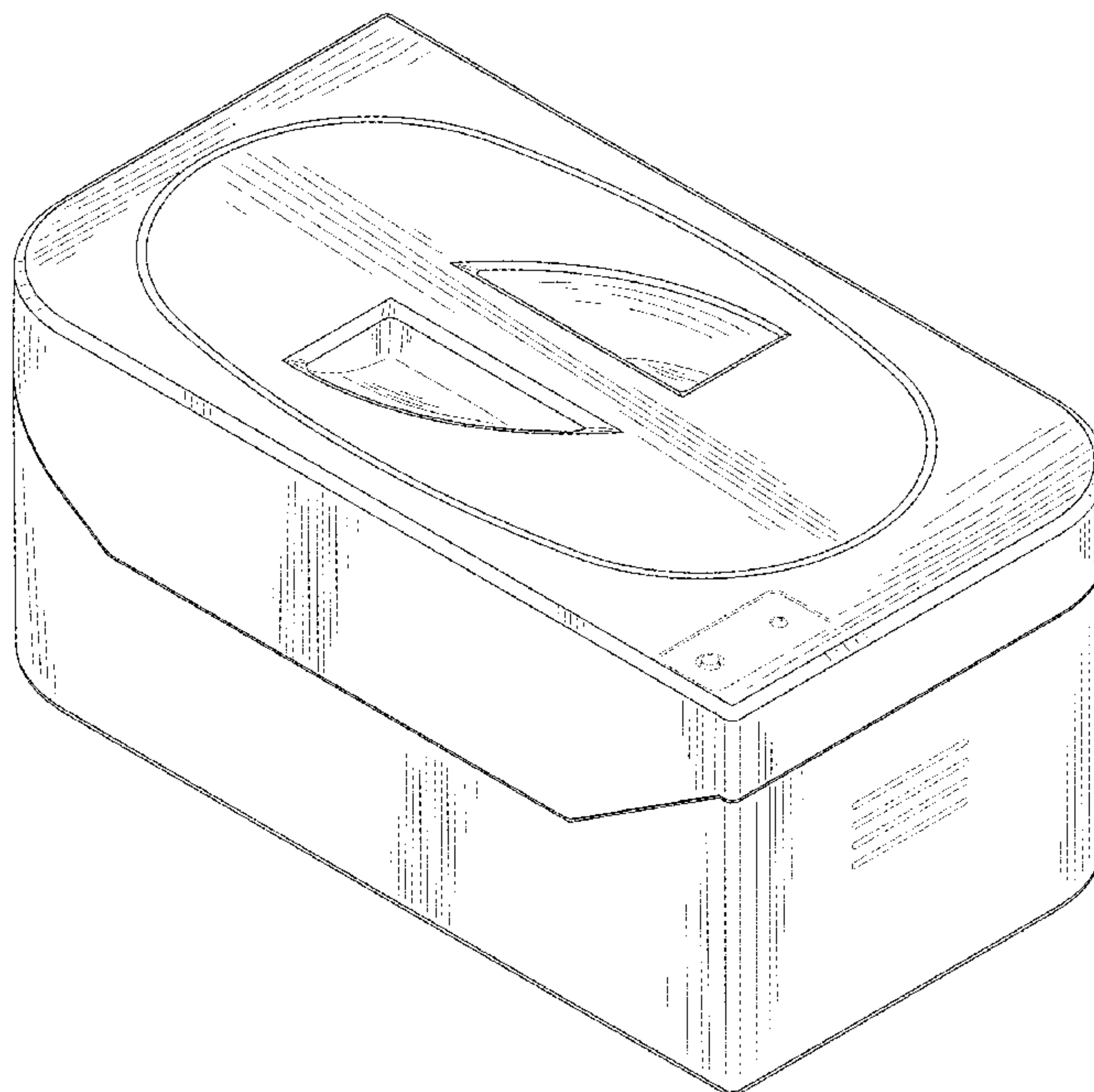
(57) **CLAIM**

The ornamental design for an “ultrasonic cleaner”, as shown and described.

DESCRIPTION

FIG. 1 is a front, top and right side perspective view of an ultrasonic cleaner showing our new design; FIG. 2 is a front elevational view of FIG. 1; FIG. 3 is a rear elevational view of FIG. 1; FIG. 4 is a left side elevational view of FIG. 1; FIG. 5 is a right side elevational view of FIG. 1; FIG. 6 is a top plan view of FIG. 1; and, FIG. 7 is a bottom plan view of FIG. 1. The broken lines depict portions of the ultrasonic cleaner that form no part of the claimed design.

1 Claim, 7 Drawing Sheets



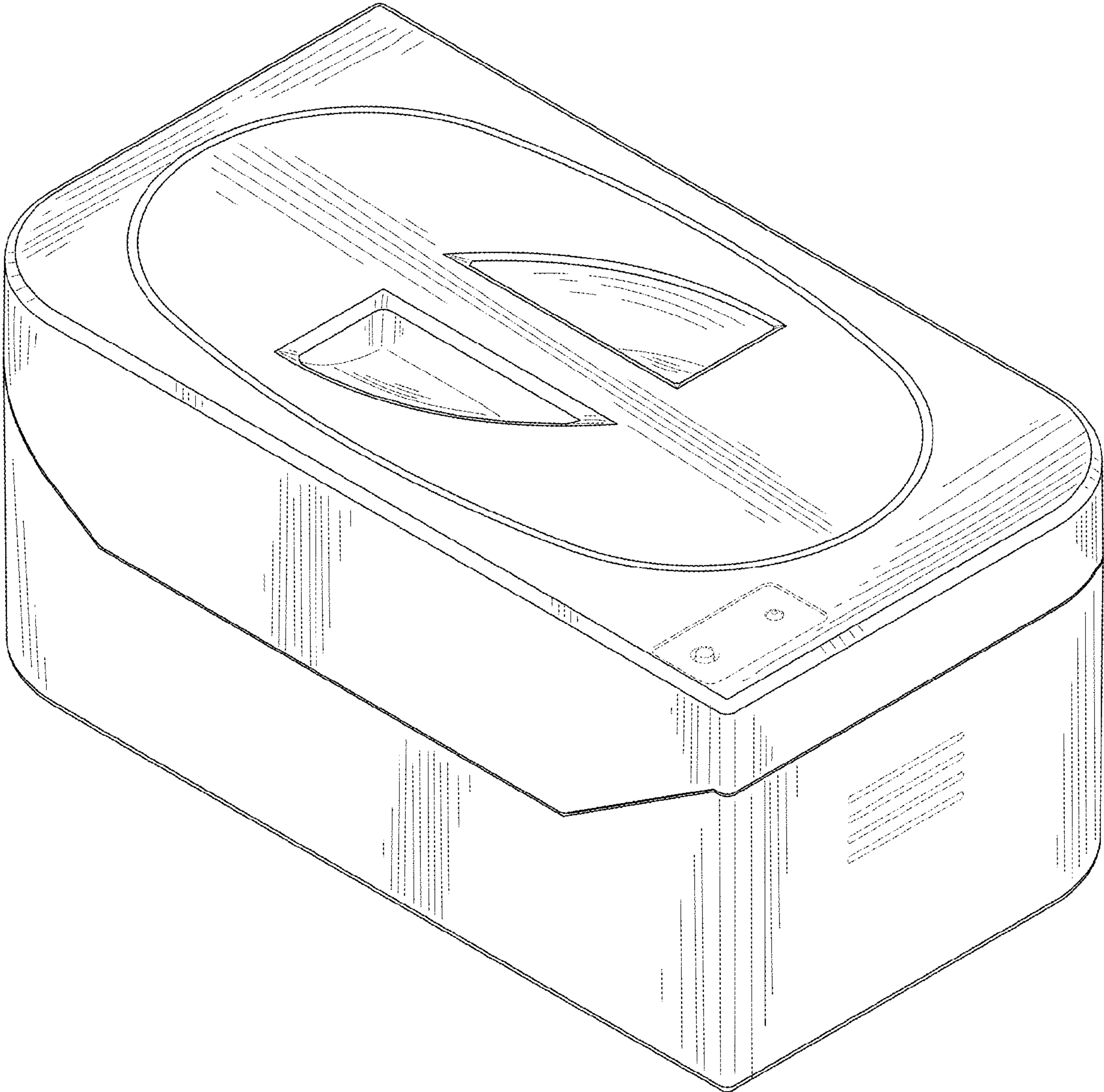


FIG.1

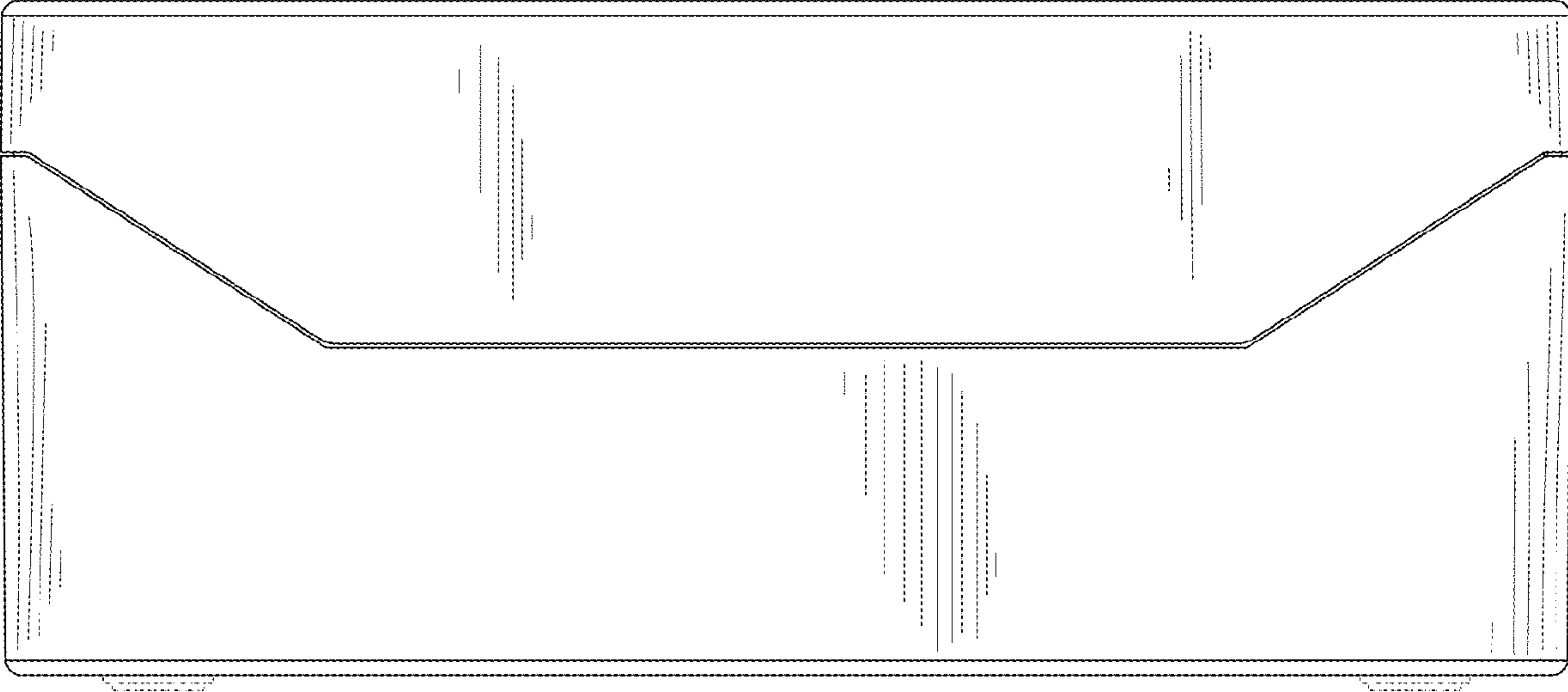


FIG.2

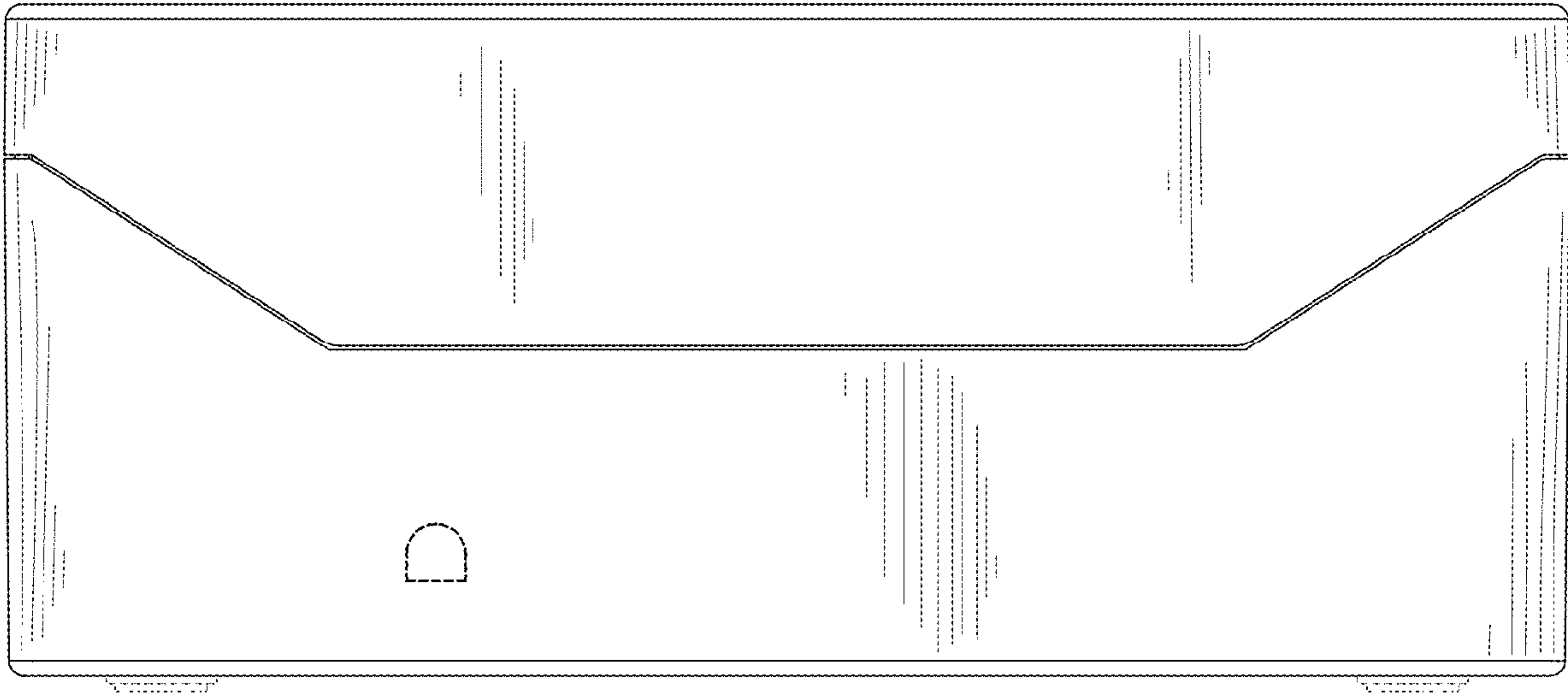


FIG.3

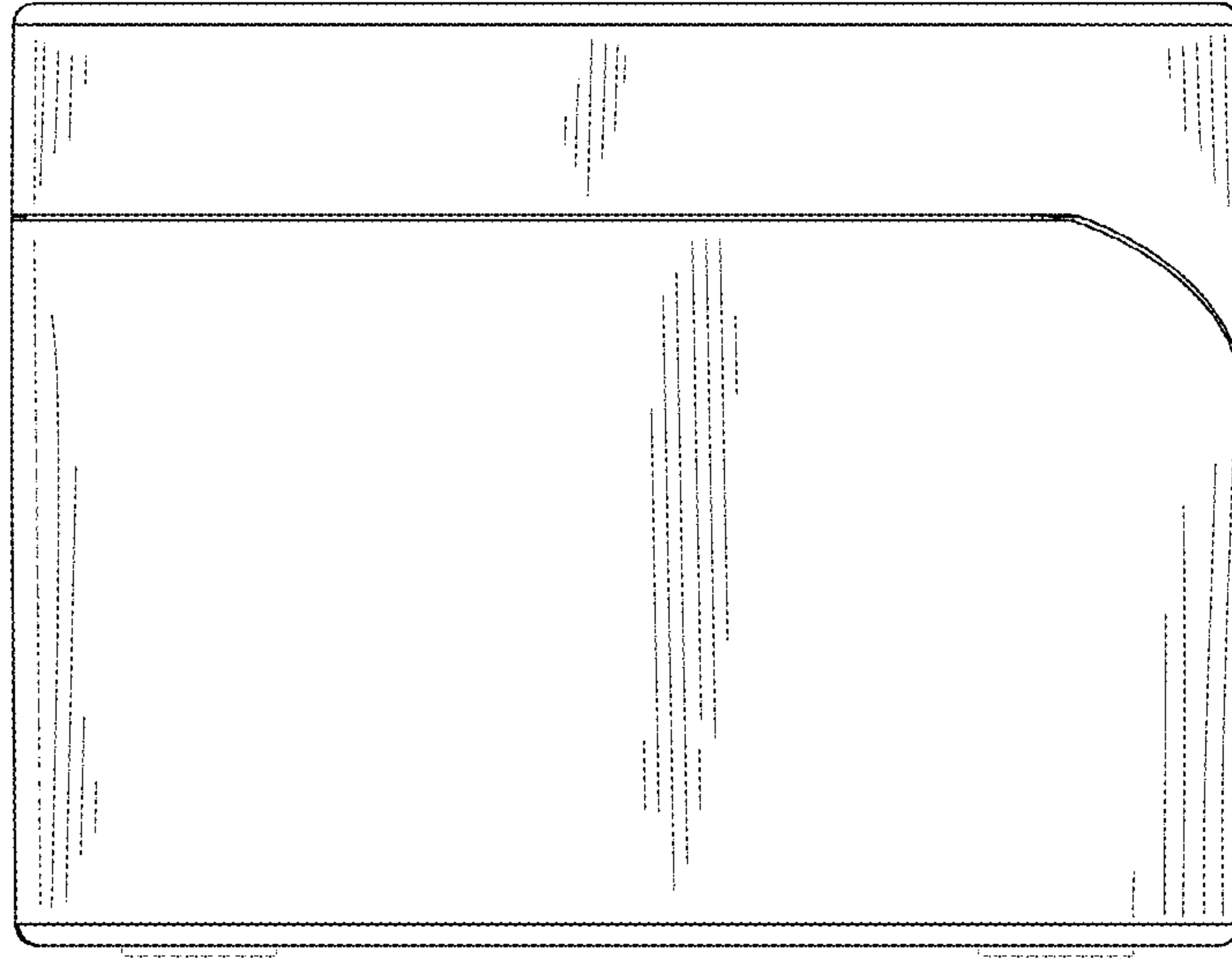


FIG.4

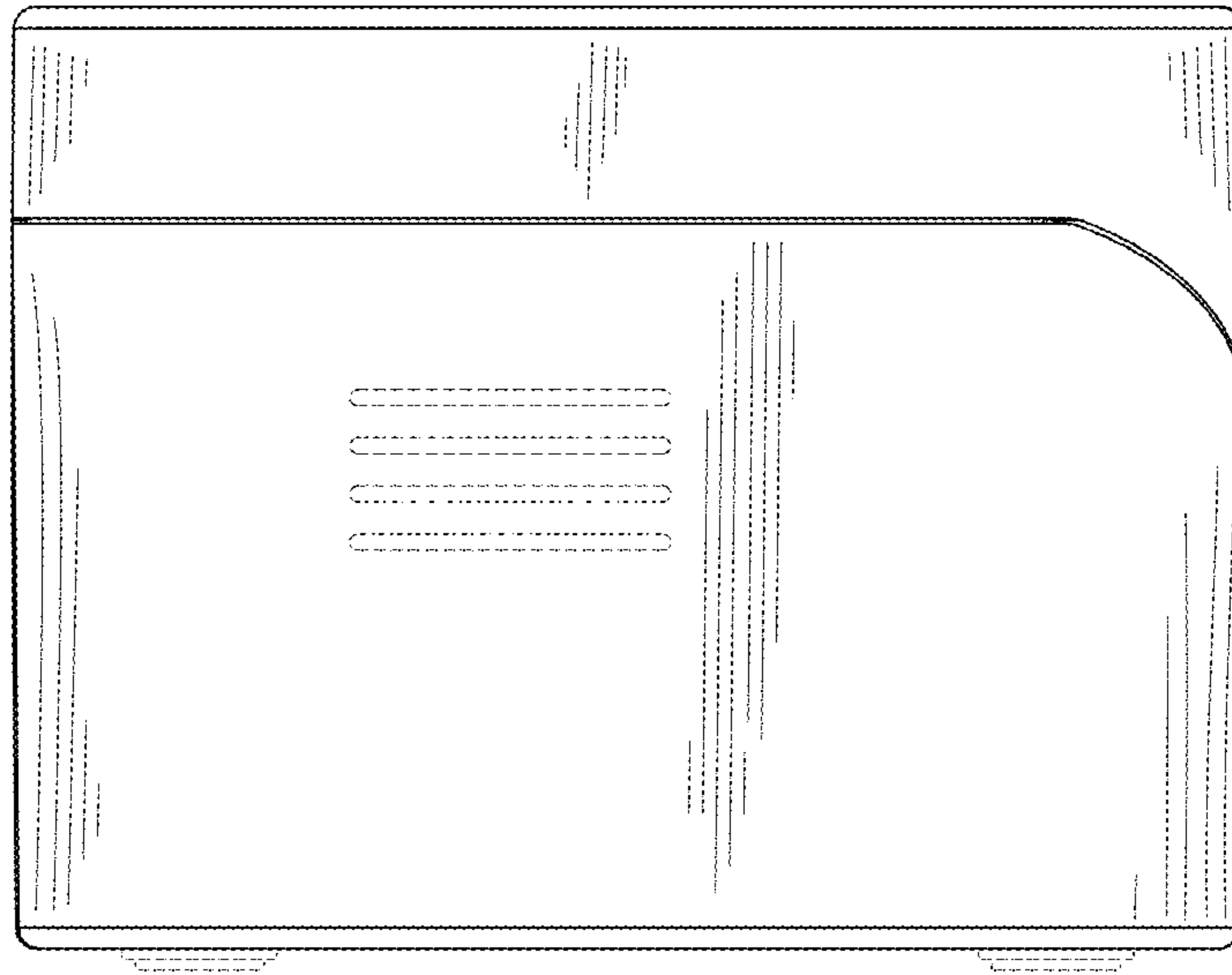


FIG.5

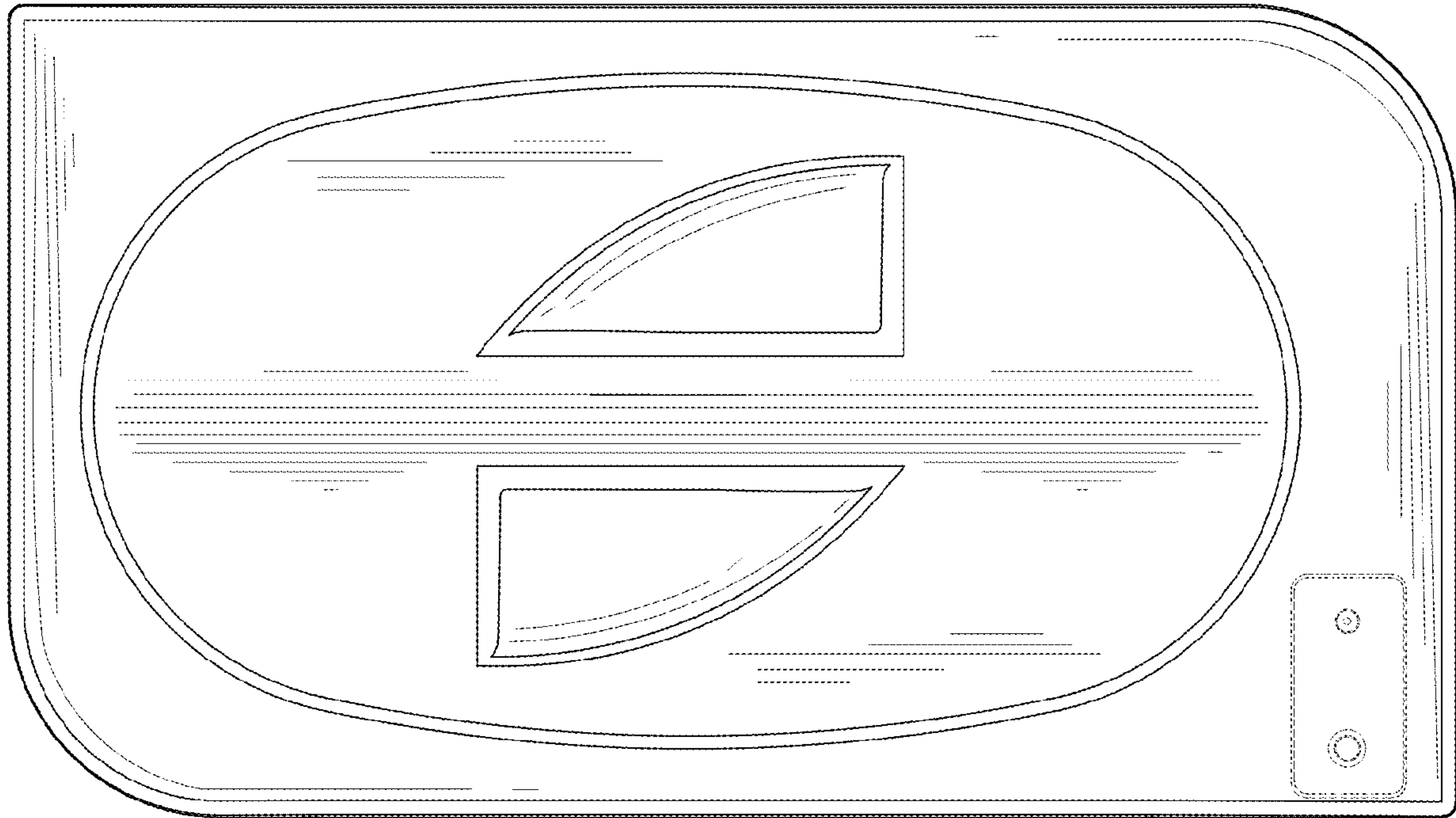


FIG.6

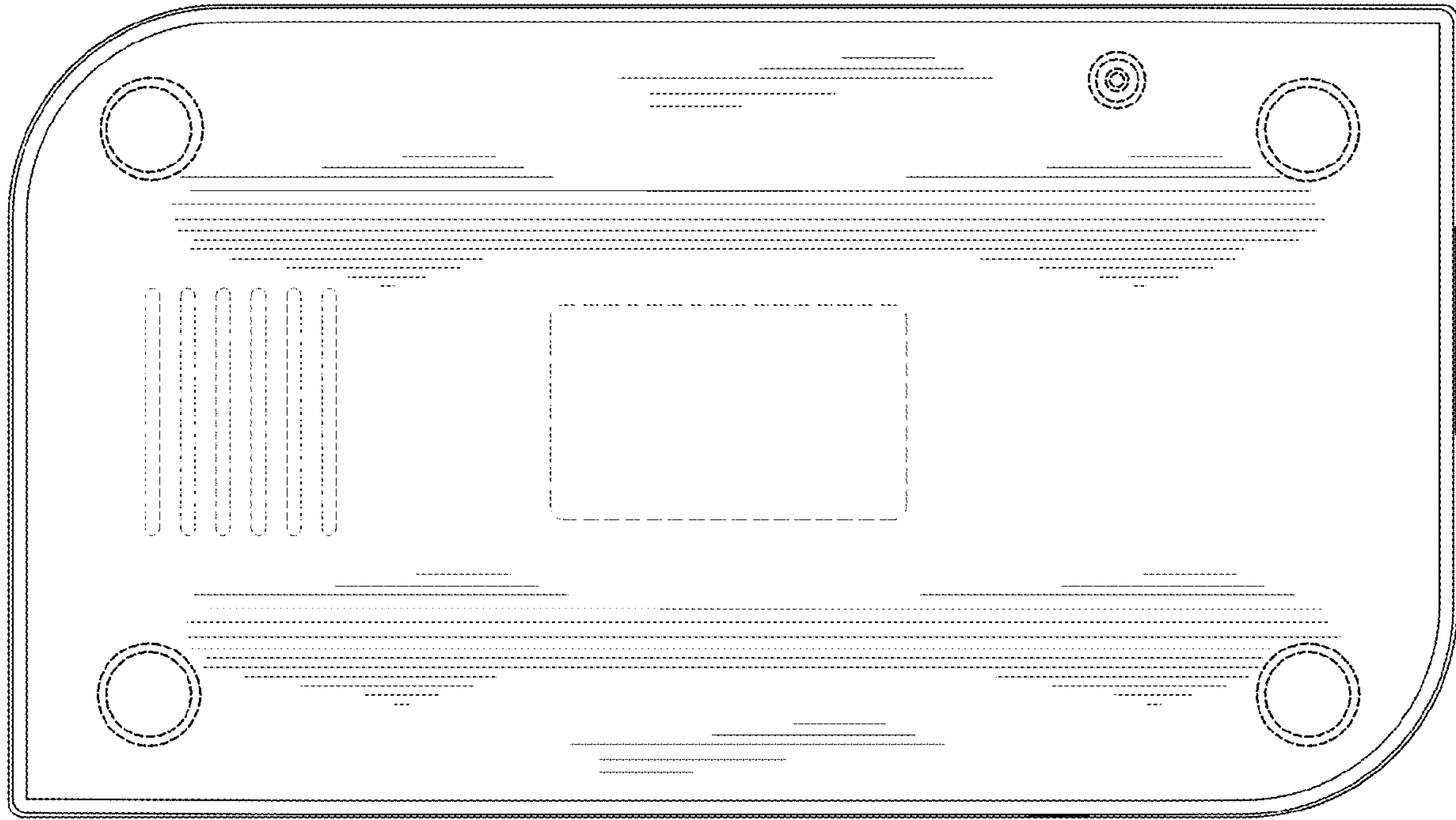


FIG. 7