



US00D907232S

(12) **United States Design Patent**
Reber et al.

(10) **Patent No.: US D907,232 S**

(45) **Date of Patent: ** Jan. 5, 2021**

(54) **MEDICAL TESTING DEVICE**

(71) Applicant: **Lucira Health, Inc.**, Emeryville, CA
(US)

(72) Inventors: **Clay David Reber**, Berkeley, CA (US);
Christopher Frank Kelly, Larkspur,
CA (US); **Frank Benson Myers, III**,
Richmond, CA (US); **Ragheb El**
Khaja, Oakland, CA (US); **John**
Robert Waldeisen, Berkeley, CA (US);
Debkishore Mitra, Emeryville, CA
(US)

(73) Assignee: **Lucira Health, Inc.**, Emeryville, CA
(US)

(**) Term: **15 Years**

(21) Appl. No.: **29/674,581**

(22) Filed: **Dec. 21, 2018**

(51) **LOC (13) Cl.** **24-01**

(52) **U.S. Cl.**
USPC **D24/216**

(58) **Field of Classification Search**
USPC D24/107, 169, 185, 186, 216–219,
D24/231–234; D10/81
CPC G01N 2035/00306; G01N 2035/00326;
G01N 2035/00336; G01N 2030/027;
G01N 21/76

See application file for complete search history.

(56) **References Cited**

U.S. PATENT DOCUMENTS

D334,065 S * 3/1993 Collister D24/232
D371,605 S * 7/1996 Wong D24/169
D559,996 S * 1/2008 Okamoto D24/232
D560,812 S * 1/2008 Powell D24/216
D561,905 S * 2/2008 Ramel D10/81
D669,375 S * 10/2012 Kao D10/78

D686,311 S * 7/2013 Mori D24/108
D791,952 S * 7/2017 Florescu D24/169
D800,912 S * 10/2017 Uzri D24/216
D808,833 S * 1/2018 Abbott D10/81
D855,212 S * 7/2019 Komuro D24/233
2015/0298118 A1* 10/2015 Chard B01L 3/50273
435/7.92

* cited by examiner

Primary Examiner — Anhdao Doan

(74) *Attorney, Agent, or Firm* — Goodwin Procter LLP

(57) **CLAIM**

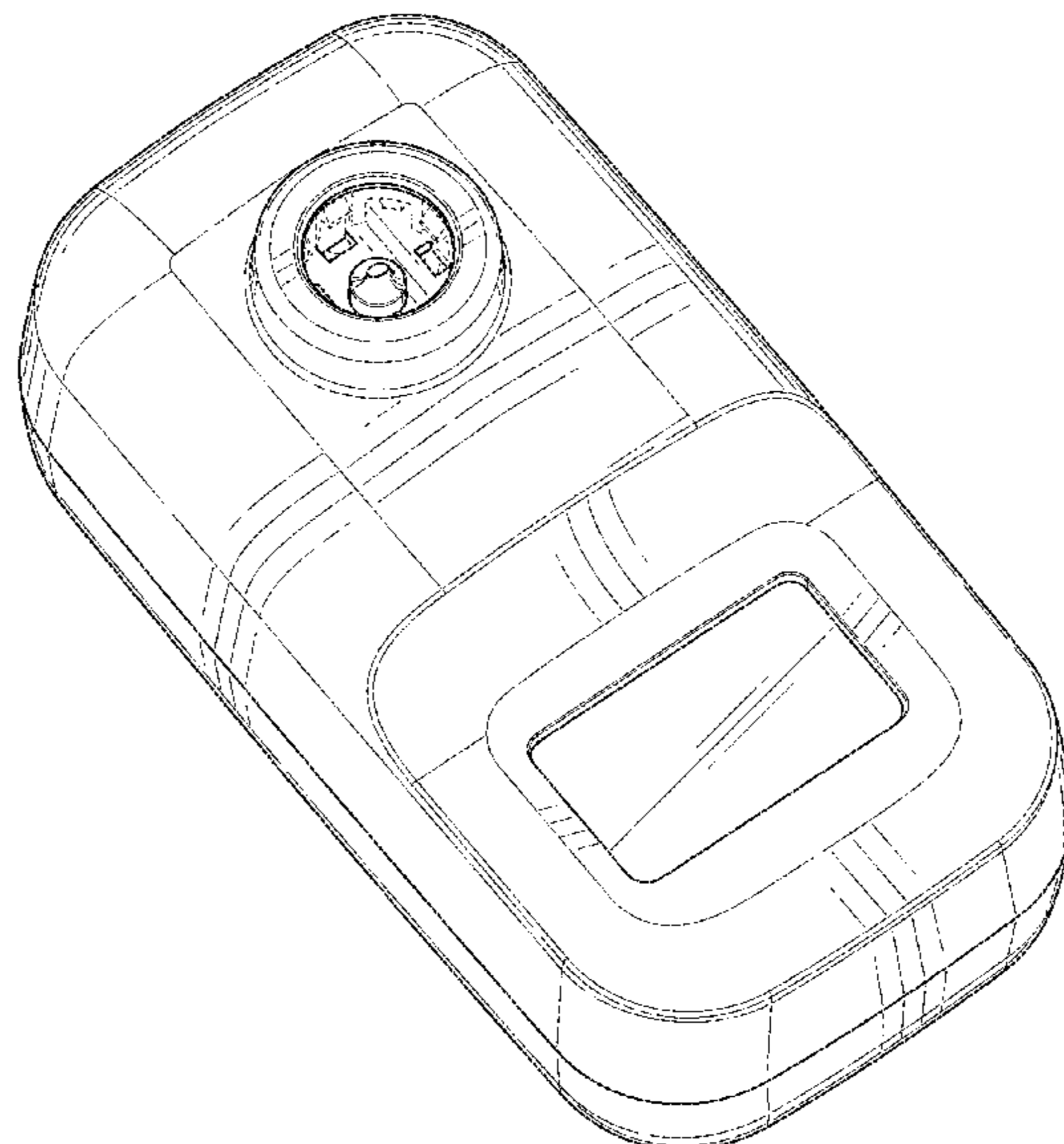
The ornamental design for a medical testing device, as shown and described.

DESCRIPTION

FIG. 1 is top, left, front perspective view of a first embodiment of a medical testing device;
FIG. 2 is a bottom, left, front perspective view thereof;
FIG. 3 is a top, right, rear perspective view thereof;
FIG. 4 is a top plan view thereof;
FIG. 5 is a bottom plan view thereof;
FIG. 6 is a left side elevational view thereof;
FIG. 7 is a right side elevational view thereof;
FIG. 8 is a rear elevational view thereof;
FIG. 9 is a front elevational view thereof.
FIG. 10 is top, left, front perspective view of a second embodiment of a medical testing device;
FIG. 11 is a bottom, left, front perspective view thereof;
FIG. 12 is a top, right, rear perspective view thereof;
FIG. 13 is a top plan view thereof;
FIG. 14 is a bottom plan view thereof;
FIG. 15 is a left side elevational view thereof;
FIG. 16 is a right side elevational view thereof;
FIG. 17 is a rear elevational view thereof; and,
FIG. 18 is a front elevational view thereof.

The broken lines illustrate portions of the medical testing device that form no part of the claimed design.

1 Claim, 18 Drawing Sheets



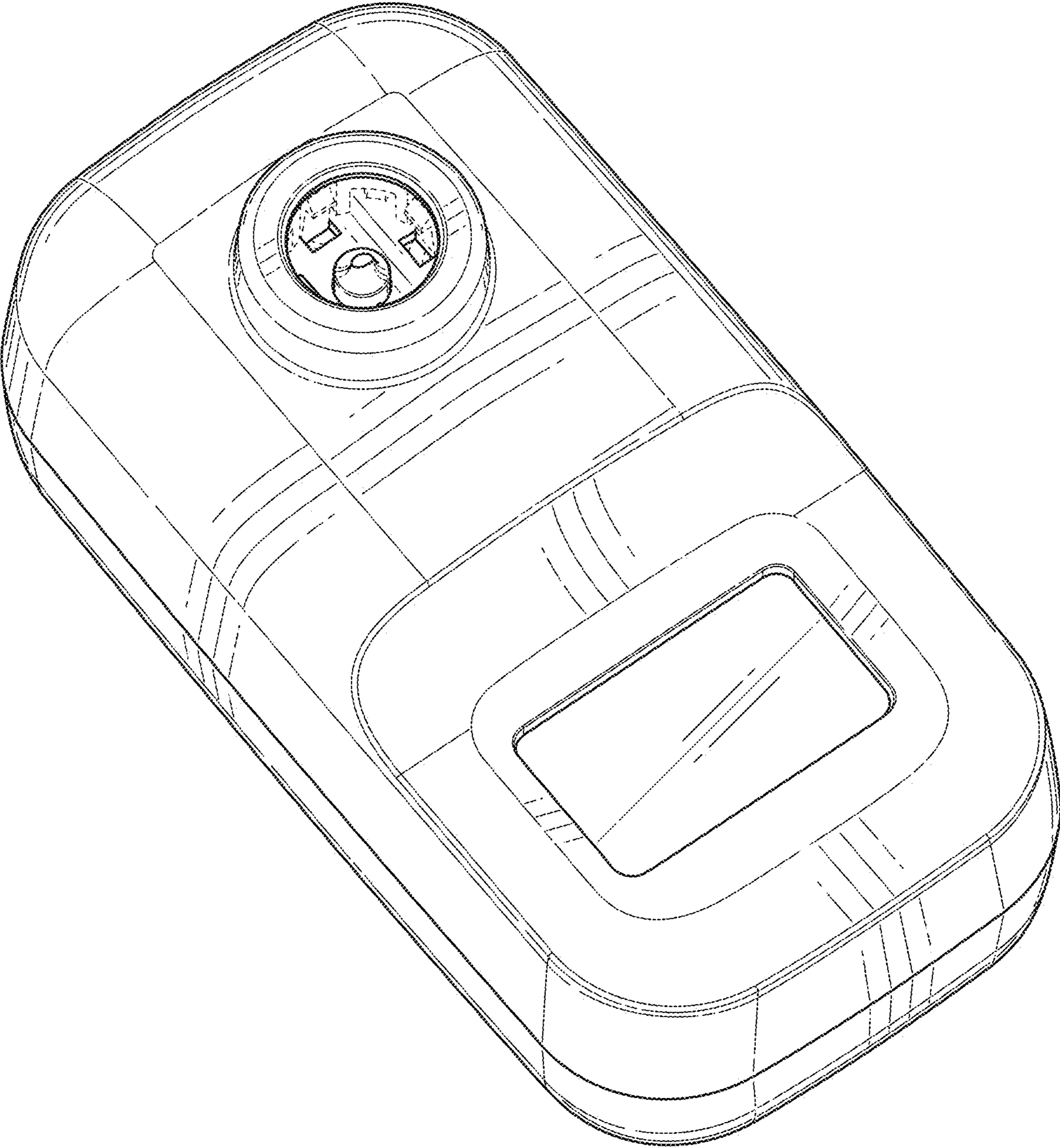


FIG. 1

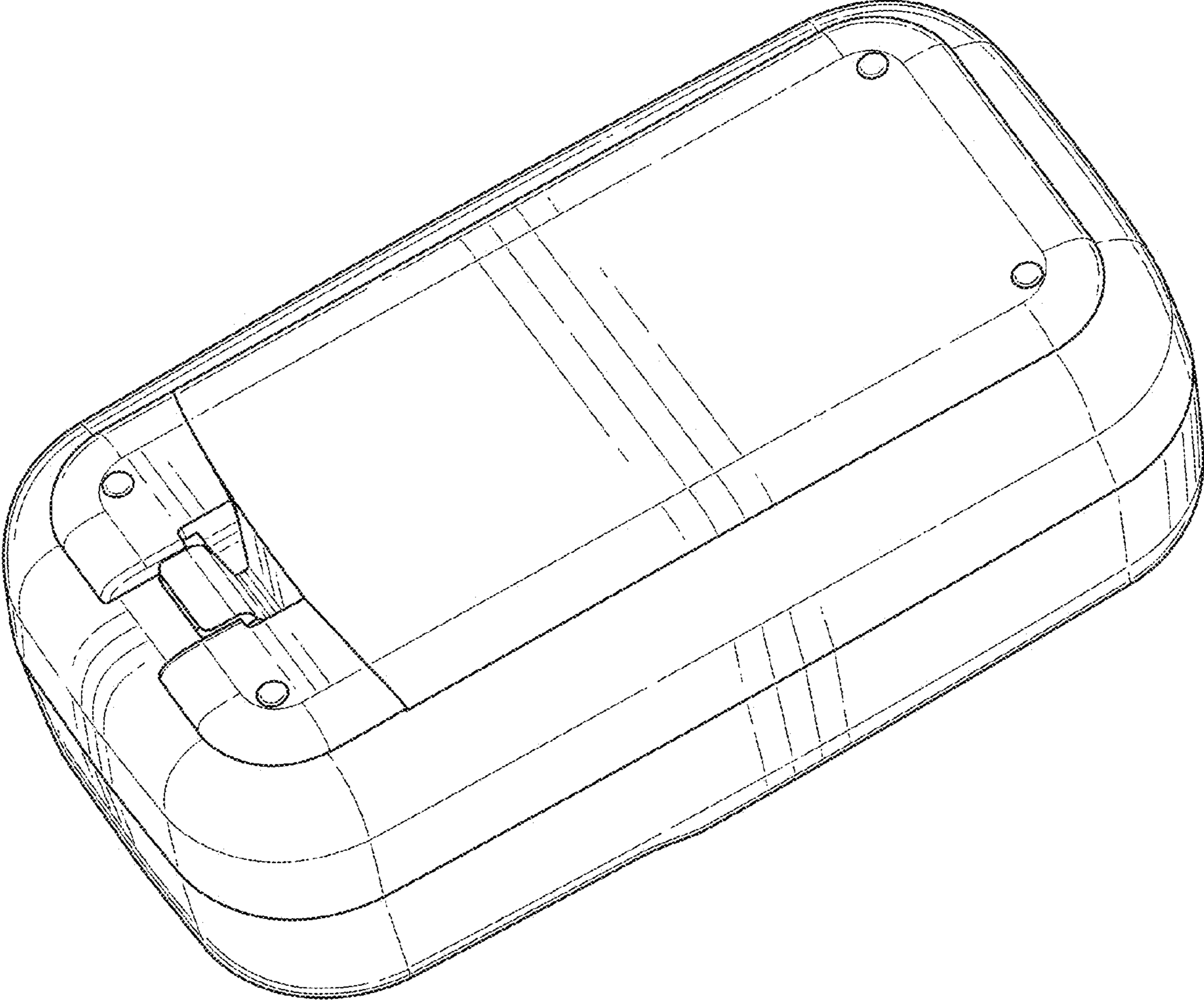


FIG. 2

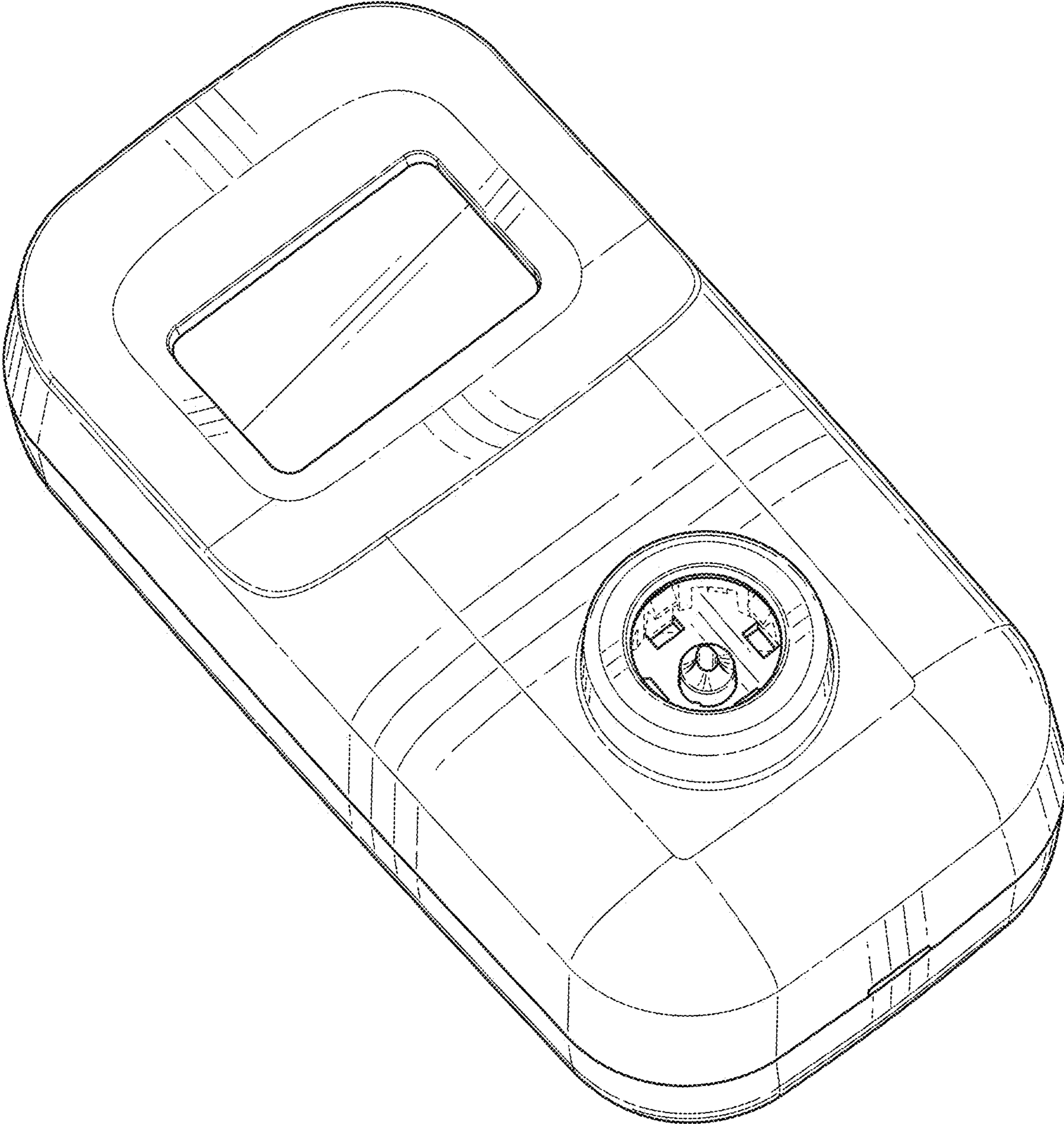


FIG. 3

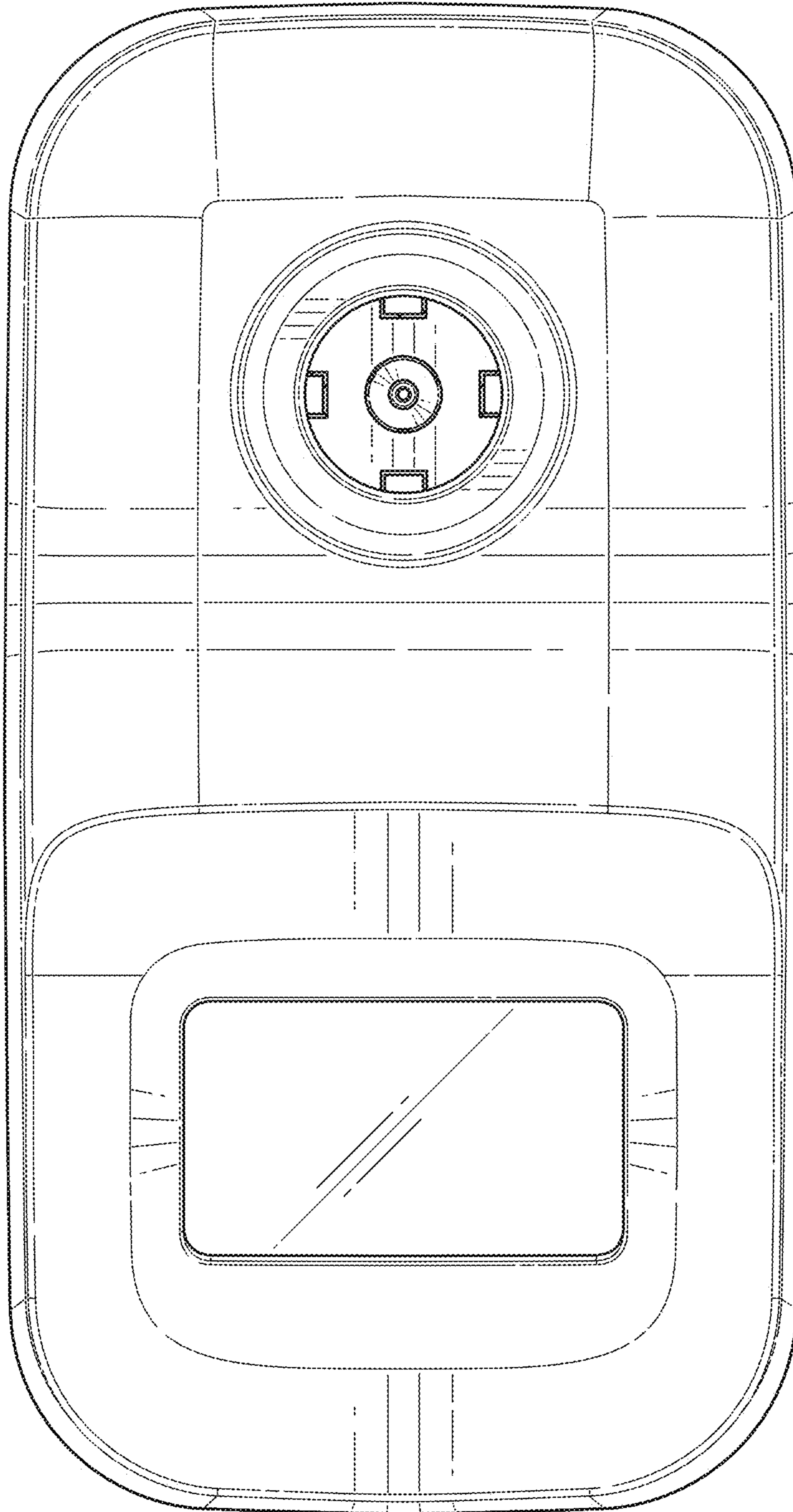


FIG. 4

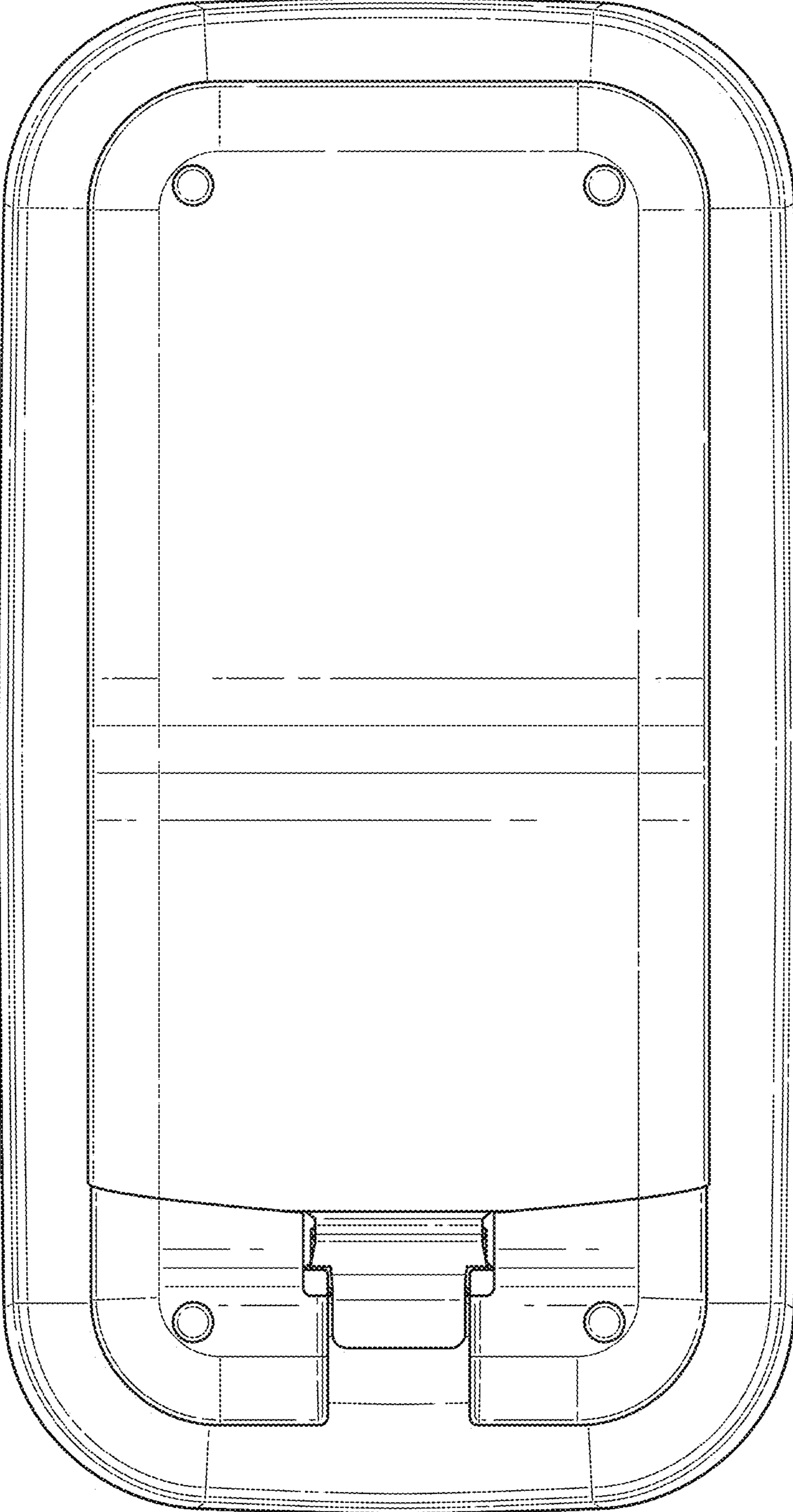


FIG. 5

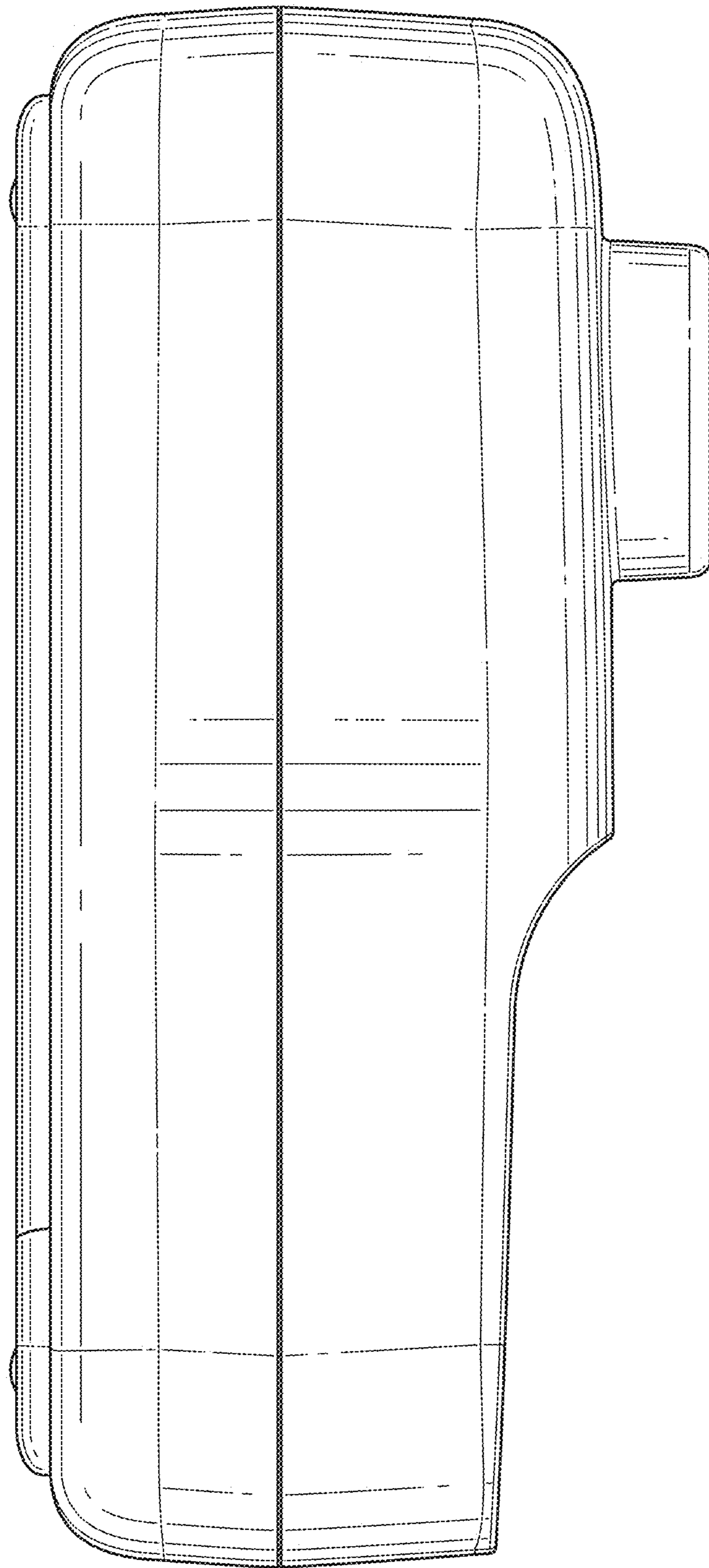


FIG. 6

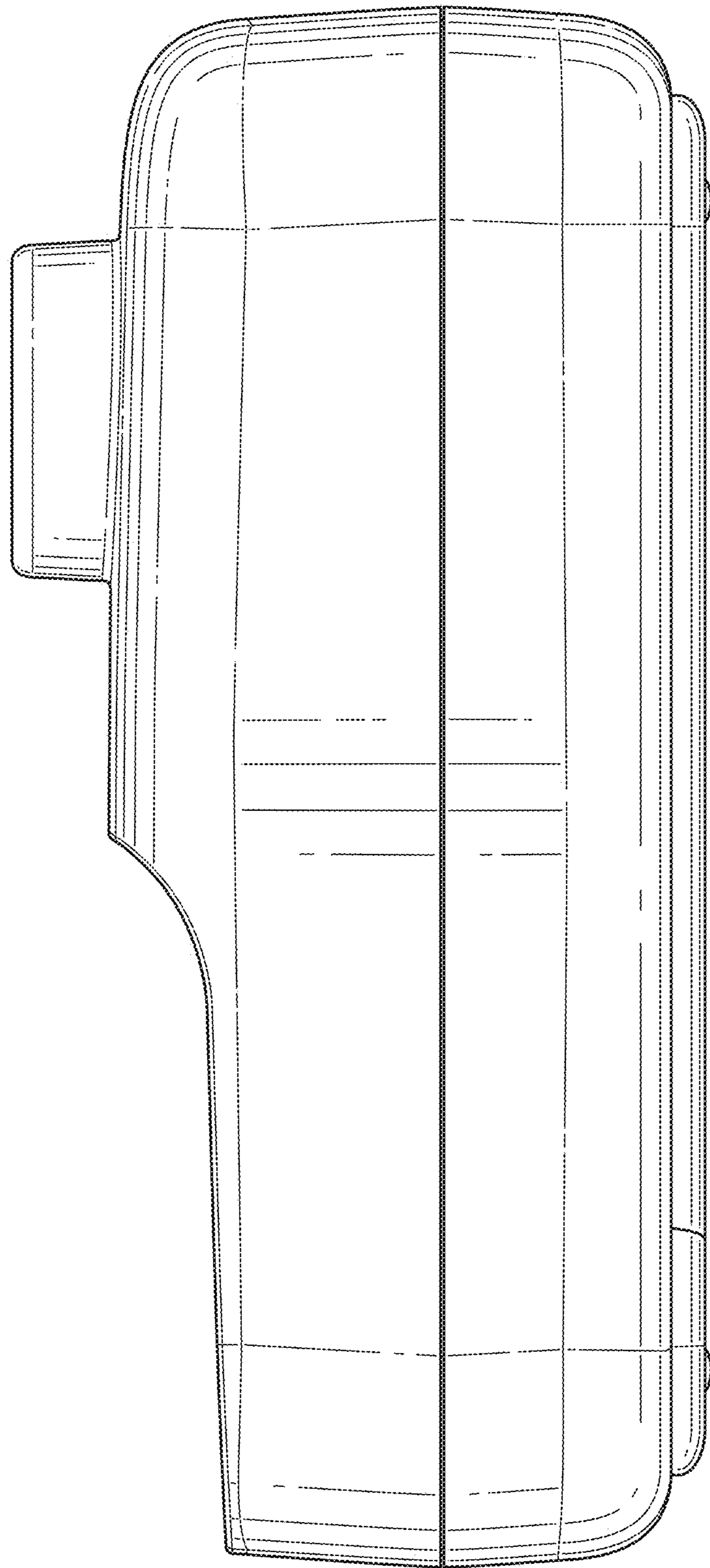


FIG. 7

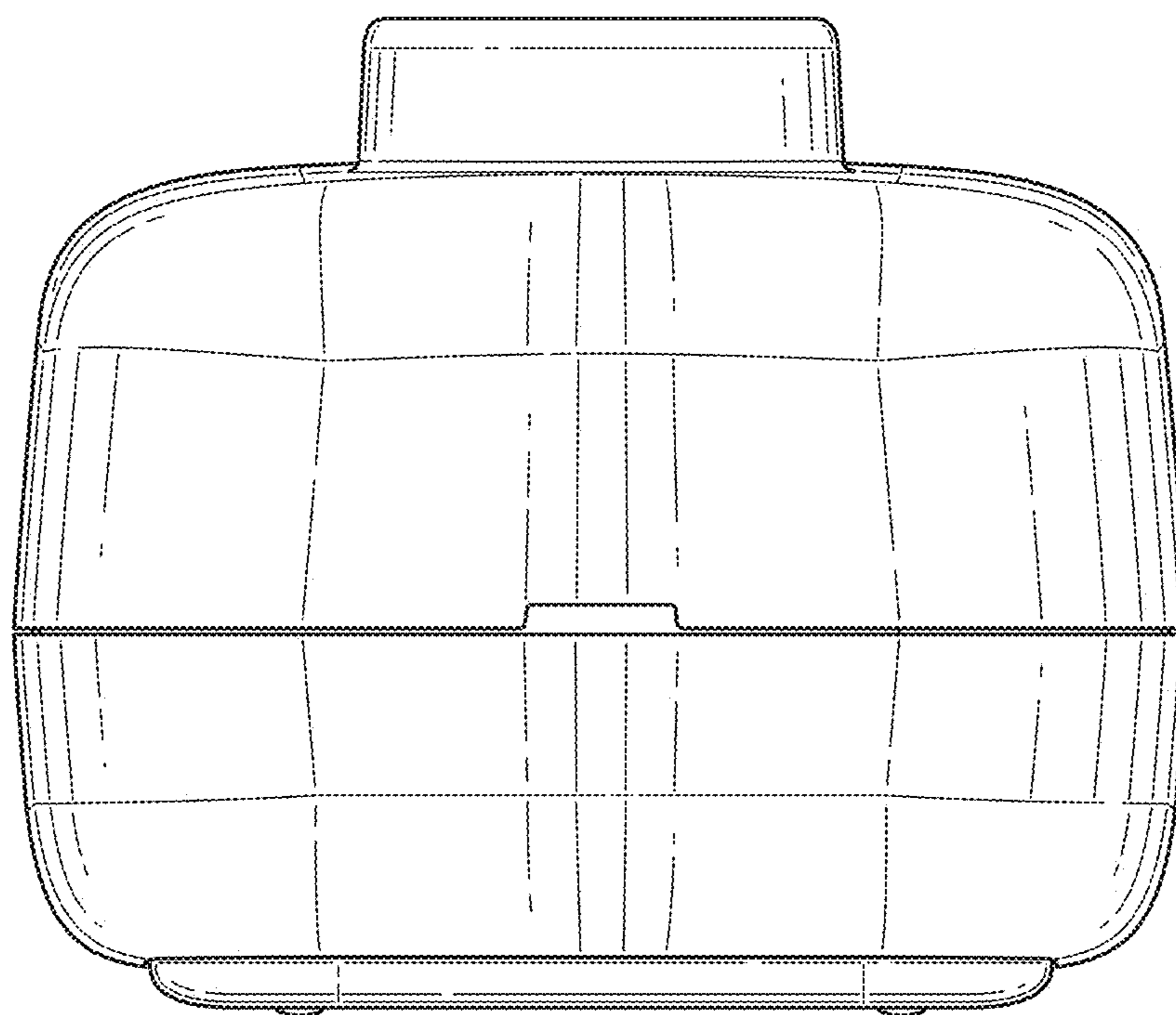


FIG. 8

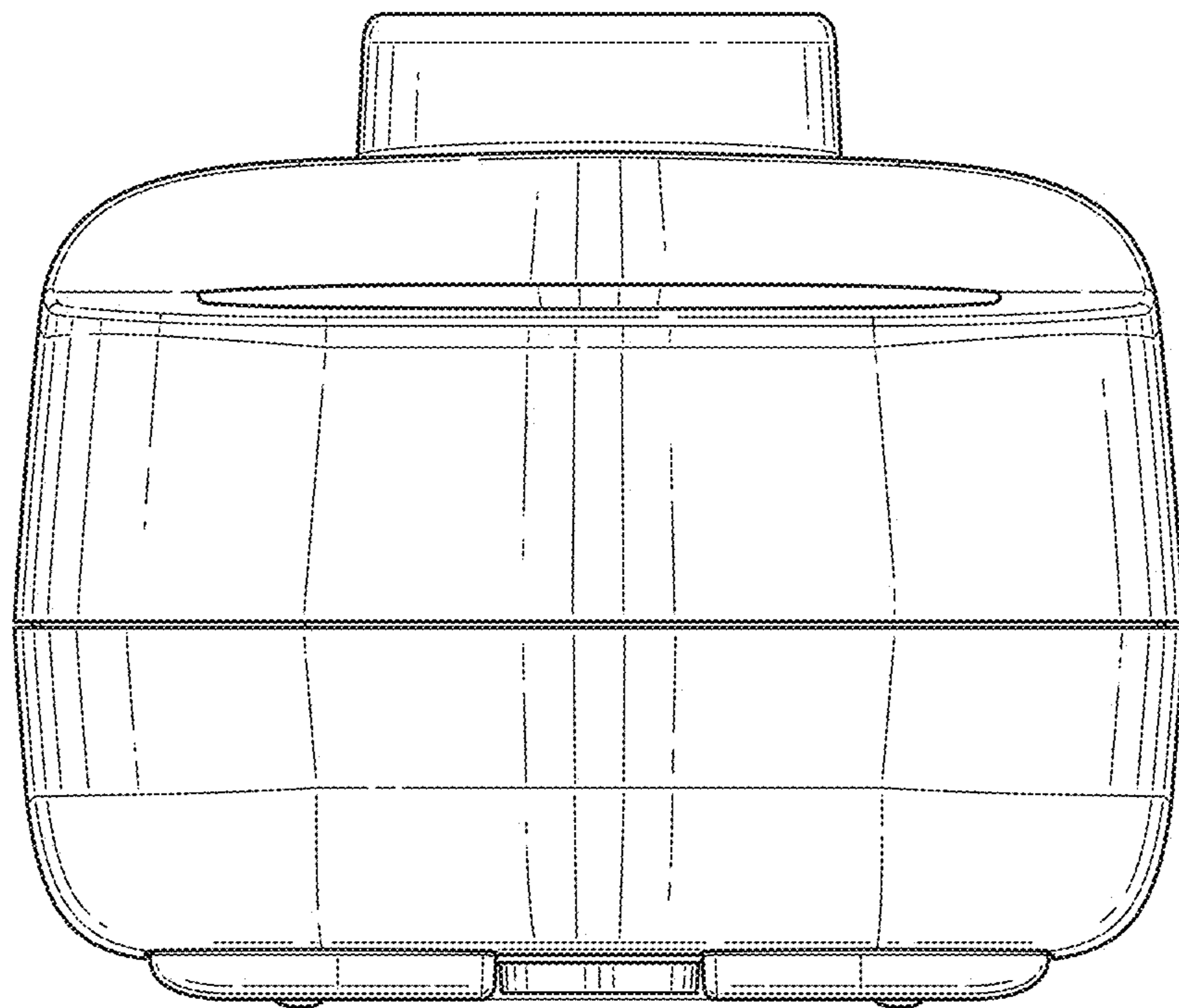


FIG. 9

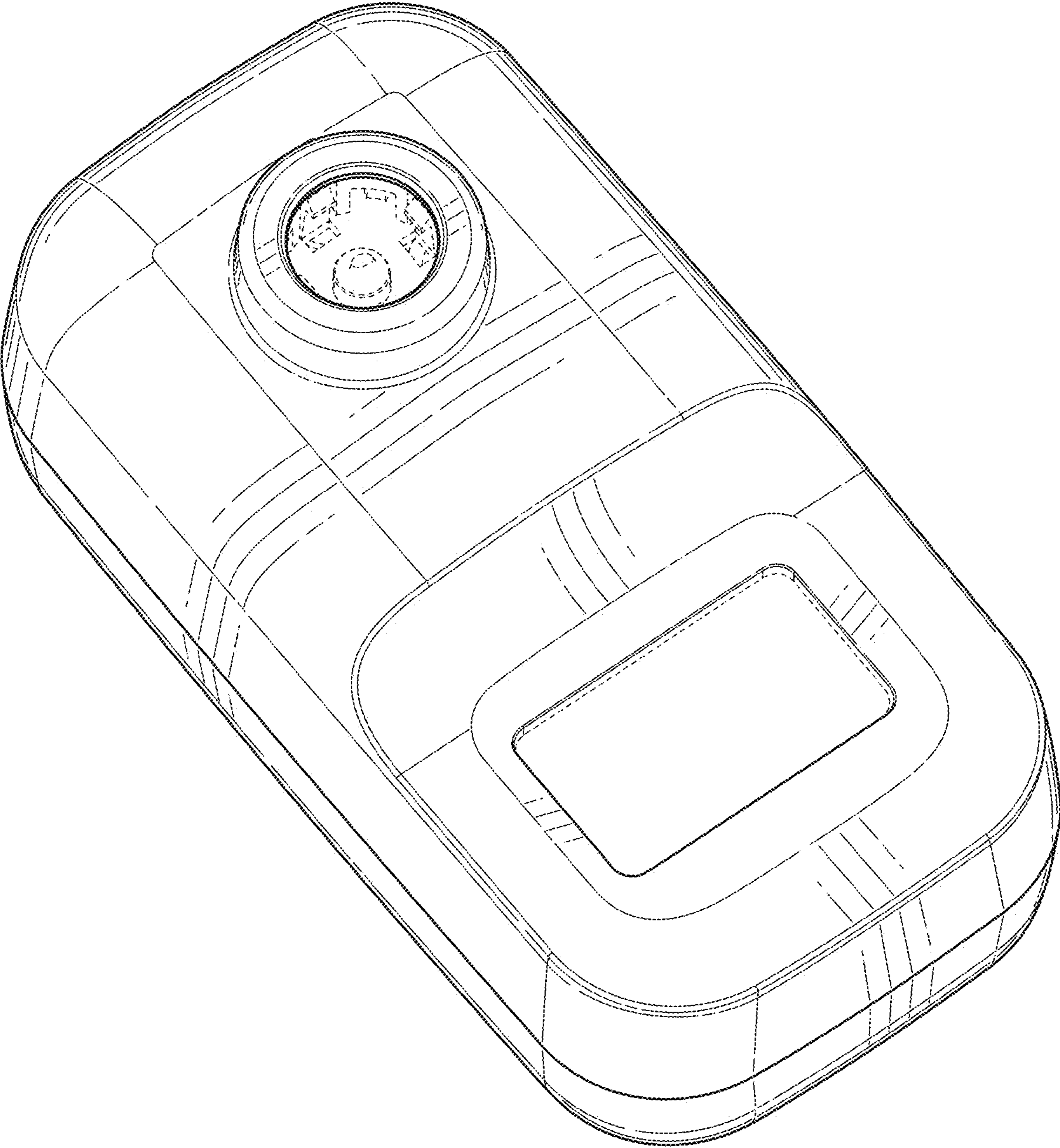


FIG. 10

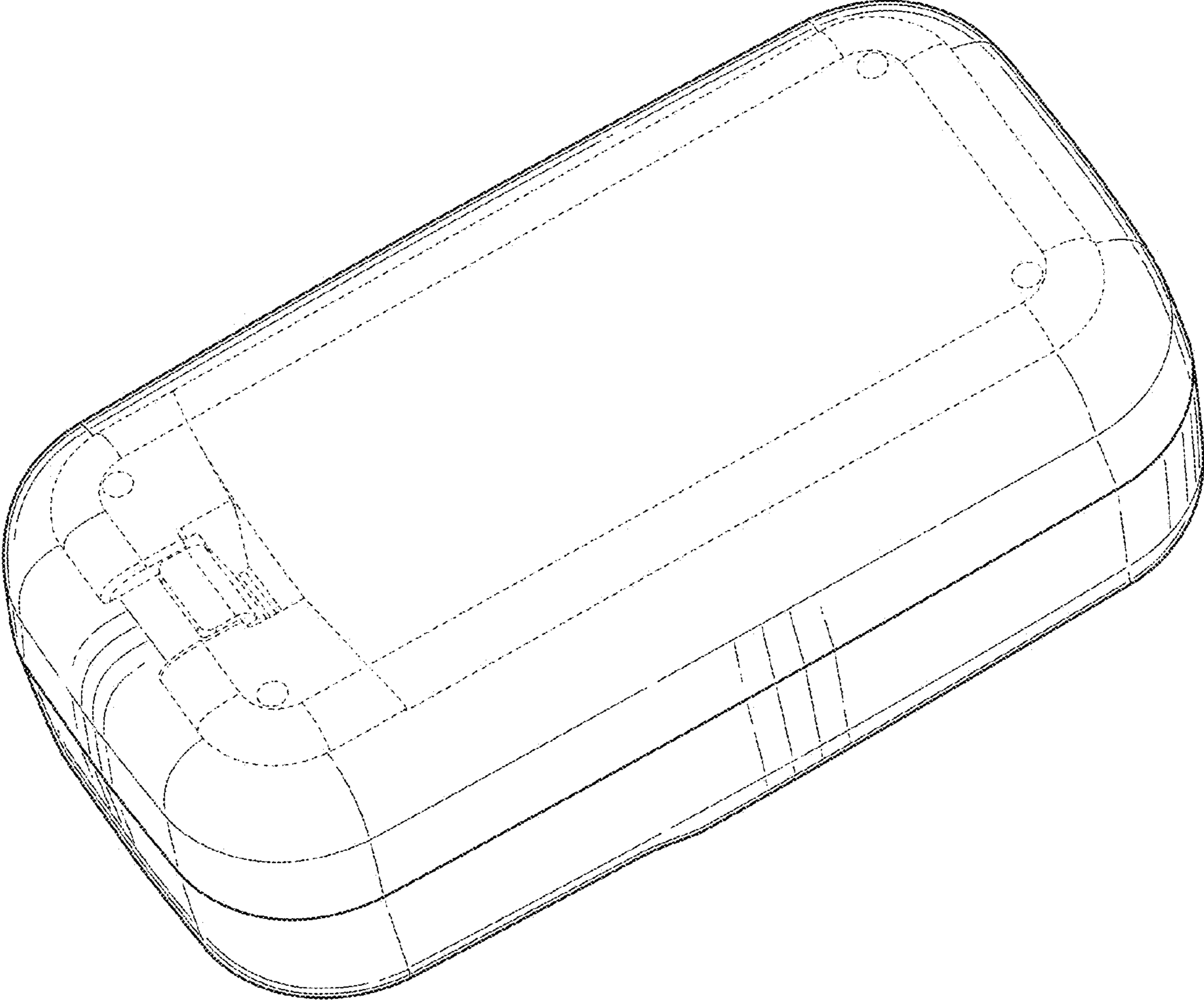


FIG. 11

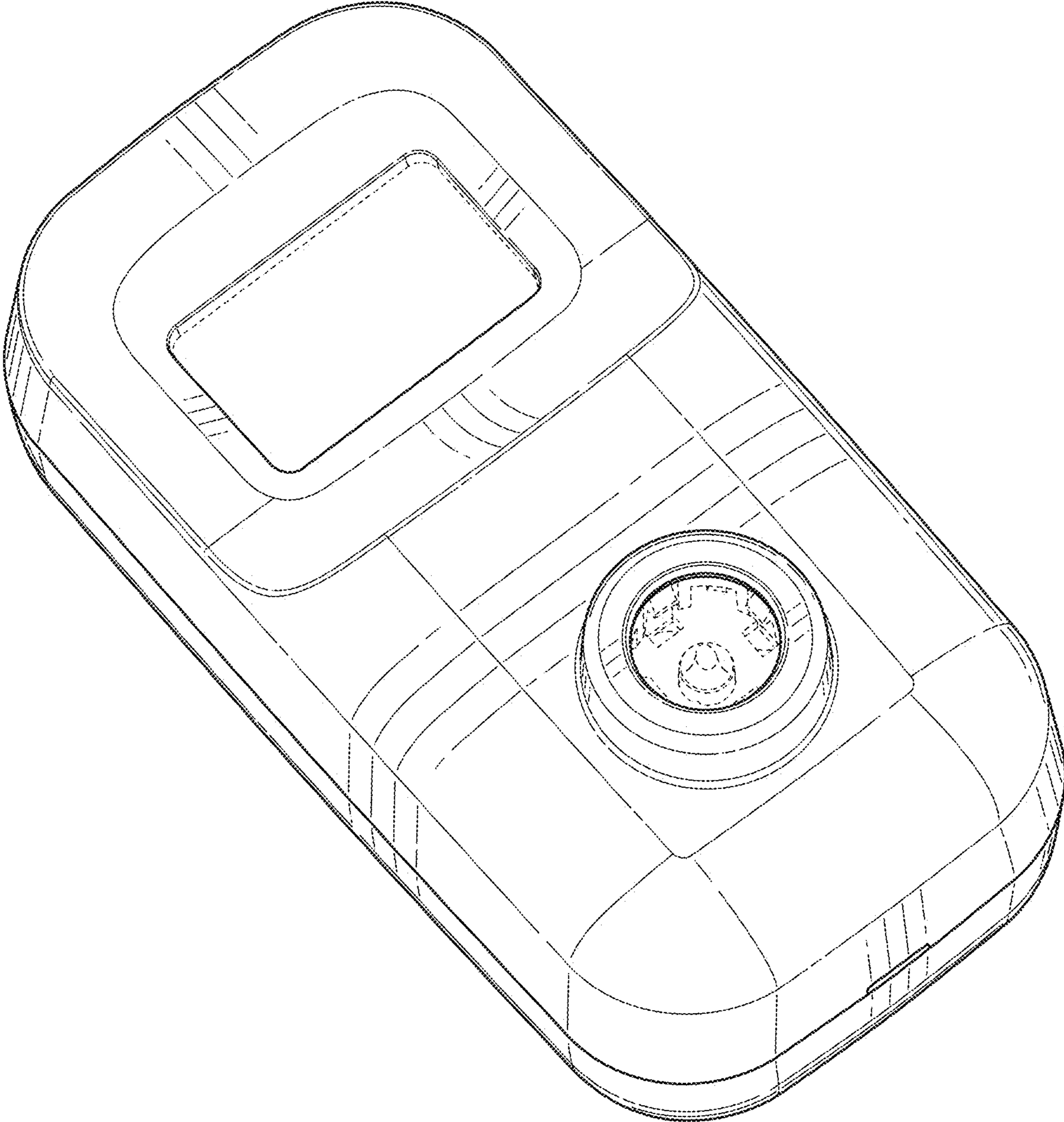


FIG. 12

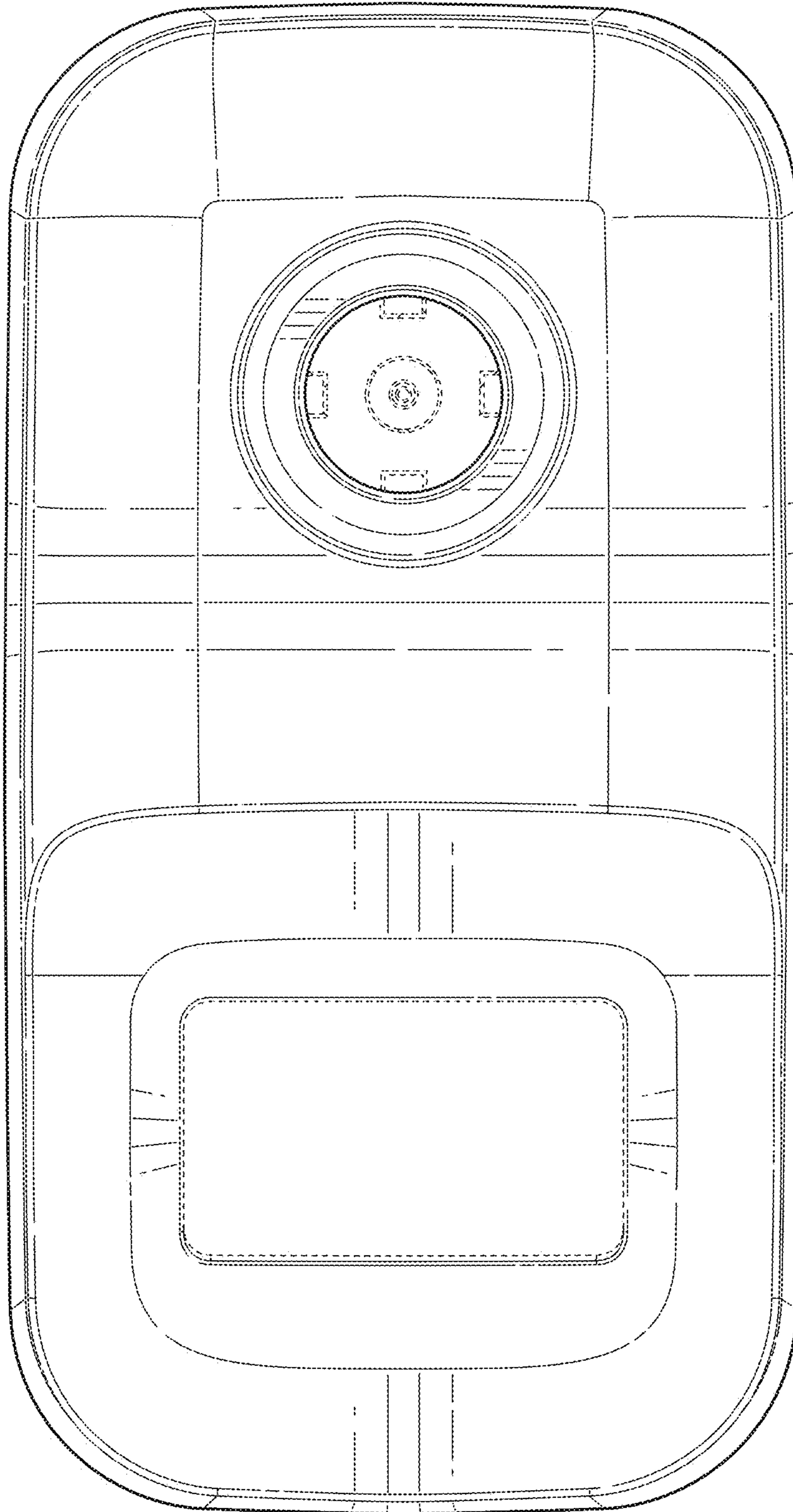


FIG. 13

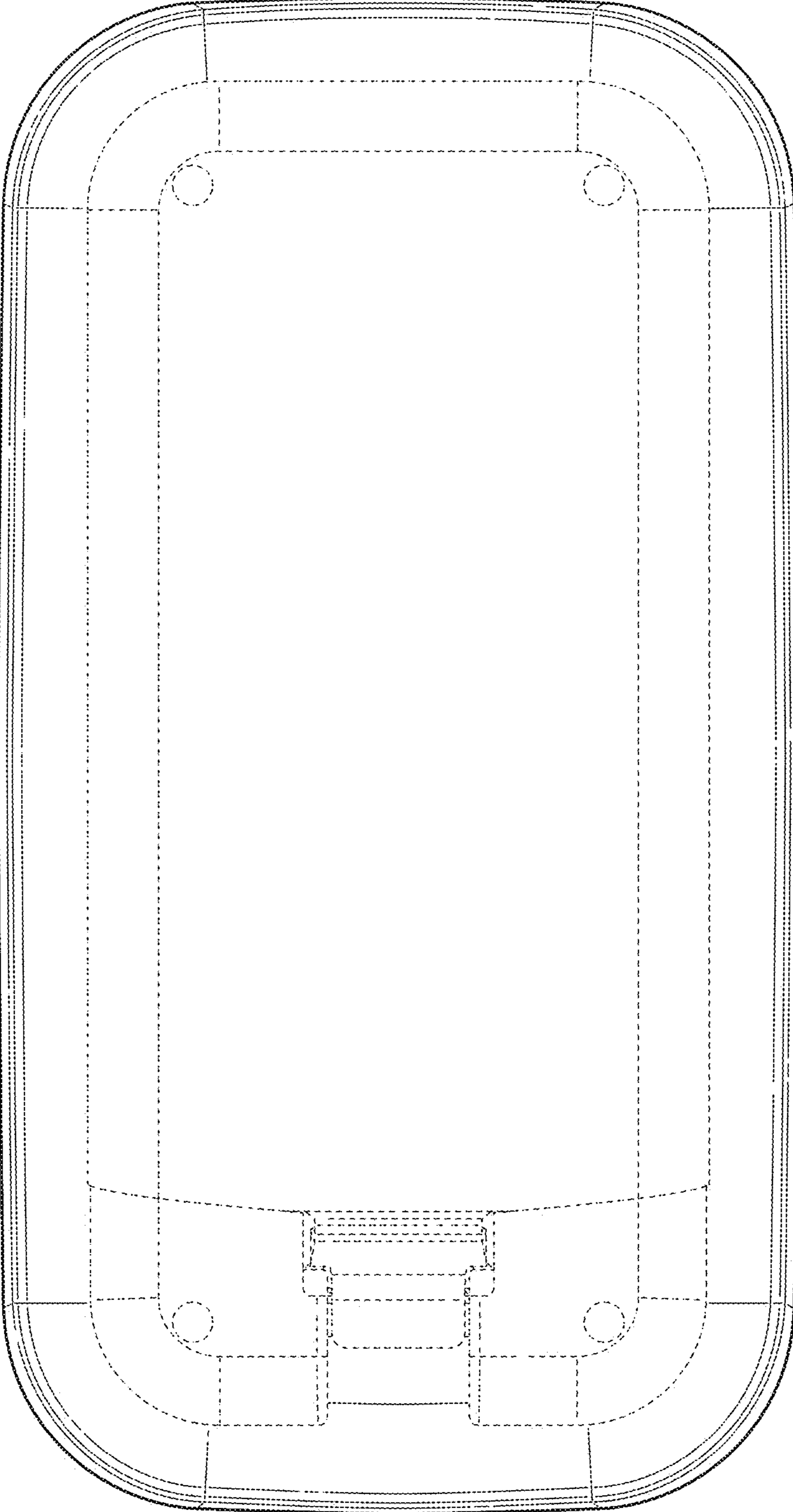


FIG. 14

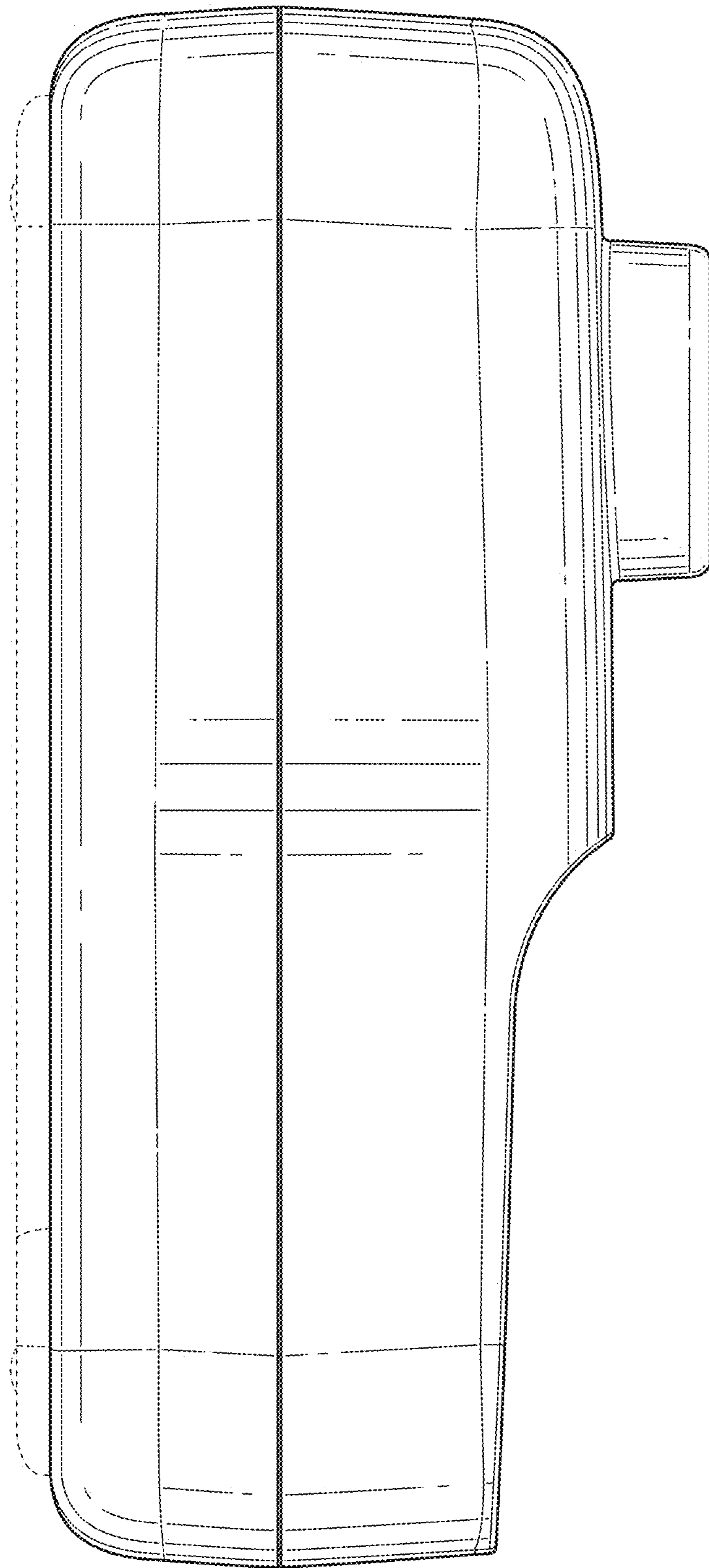


FIG. 15

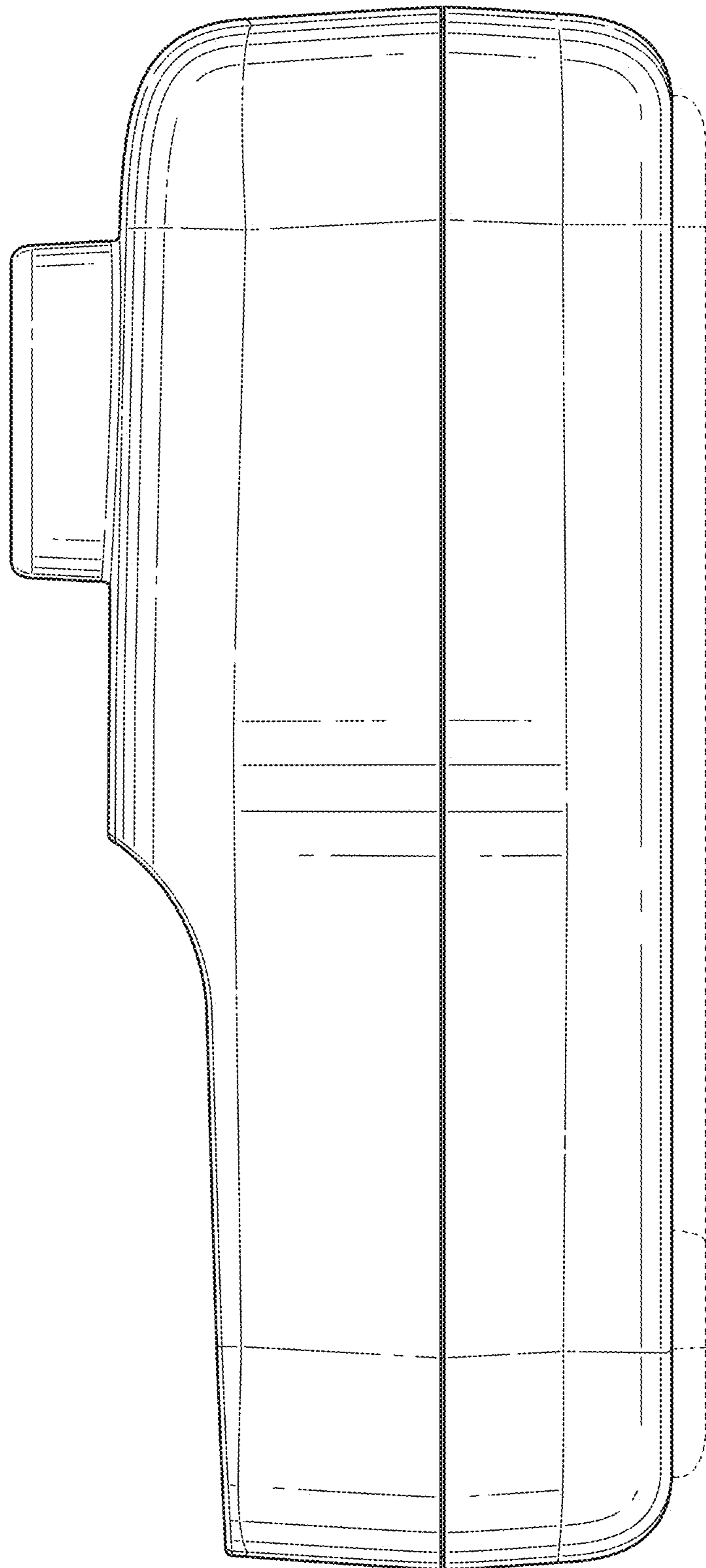


FIG. 16

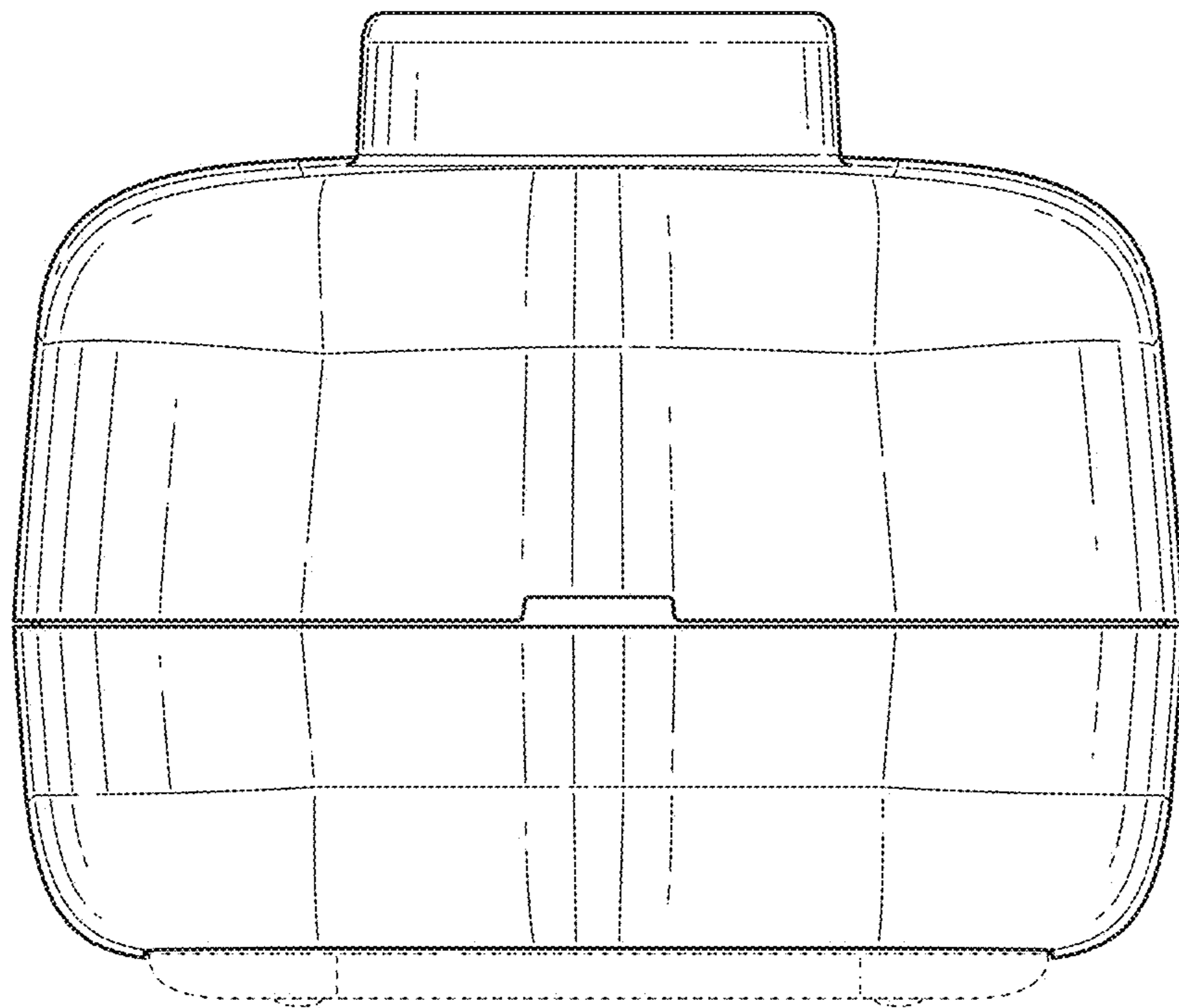


FIG. 17

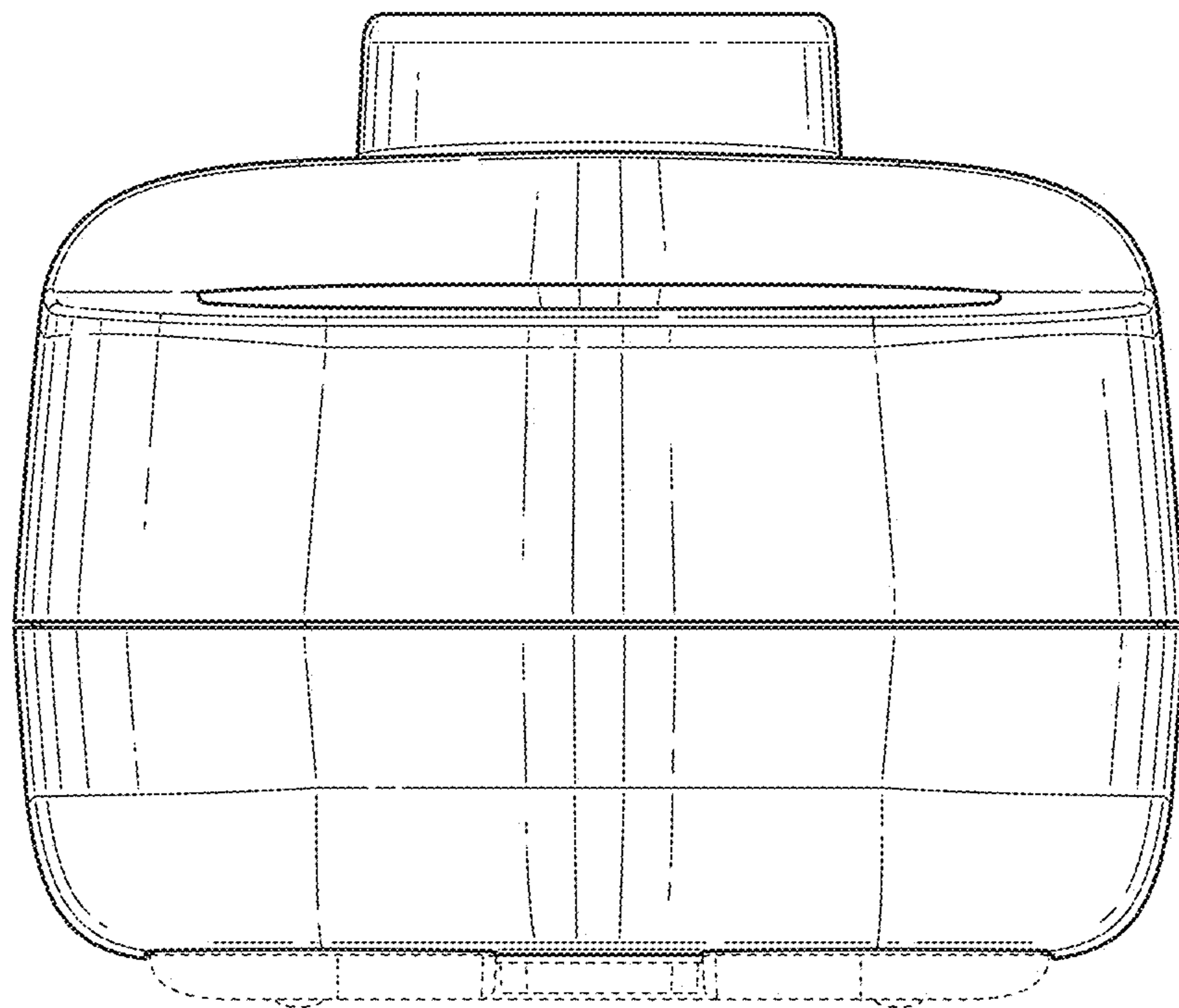


FIG. 18