

US00D907230S

(12) **United States Design Patent**  
**Zhang**

(10) **Patent No.:** **US D907,230 S**

(45) **Date of Patent:** **\*\* Jan. 5, 2021**

(54) **MUSCLE MASSAGER**  
(71) Applicant: **Sichuan Qianli-beoka Medical Technology Inc., Sichuan (CN)**  
(72) Inventor: **Wen Zhang, Sichuan (CN)**  
(73) Assignee: **Sichuan Qianli-beoka Medical Technology Inc., Chengdu (CN)**

D880,716 S \* 4/2020 Wersland ..... D24/215  
D884,205 S \* 5/2020 Zhuang ..... D24/215  
D884,207 S \* 5/2020 Ma ..... D24/215  
D884,915 S \* 5/2020 Wersland ..... D24/215  
D885,601 S \* 5/2020 Wersland ..... D24/215  
D886,317 S \* 6/2020 Marton ..... D24/215  
D887,573 S \* 6/2020 Wersland ..... D24/215  
D893,738 S \* 8/2020 Zhuang ..... D24/215

(Continued)

(\*\*) Term: **15 Years**  
(21) Appl. No.: **29/692,964**  
(22) Filed: **May 29, 2019**

(30) **Foreign Application Priority Data**

Jan. 15, 2019 (CN) ..... 2019 3 0020678

(51) **LOC (13) Cl.** ..... **28-03**  
(52) **U.S. Cl.**

USPC ..... **D24/215**

(58) **Field of Classification Search**  
USPC ..... D24/200, 211, 212, 213, 214, 215;  
D8/14.1

CPC .... A61H 15/0092; A61H 15/00; A61H 7/004;  
A61H 23/006

See application file for complete search history.

(56) **References Cited**

**U.S. PATENT DOCUMENTS**

D838,378 S \* 1/2019 Cao ..... D24/215  
D840,547 S \* 2/2019 Harle ..... D24/214  
D855,822 S \* 8/2019 Marton ..... D24/215  
D866,790 S \* 11/2019 Lee ..... D24/215  
D872,869 S \* 1/2020 Lu ..... D24/215  
D873,432 S \* 1/2020 Duan ..... D24/214  
D874,015 S \* 1/2020 Marton ..... D24/215  
D875,961 S \* 2/2020 Li ..... D24/211  
D879,985 S \* 3/2020 Wersland ..... D24/214  
D879,986 S \* 3/2020 Wersland ..... D24/214  
D880,714 S \* 4/2020 Wersland ..... D24/215  
D880,715 S \* 4/2020 Wersland ..... D24/215

**OTHER PUBLICATIONS**

Amazon, "Massager Gun", Aug. 18, 2020. [https://www.amazon.com/Massager-Percussion-Handheld-Portable-Brushless/dp/B083BY3B2T/ref=pd\\_ybh\\_a\\_2?encoding=UTF8&psc=1&refRID=RQC0AZSGP179FJBZB0A4#sp\\_detail\\_feedbackForm](https://www.amazon.com/Massager-Percussion-Handheld-Portable-Brushless/dp/B083BY3B2T/ref=pd_ybh_a_2?encoding=UTF8&psc=1&refRID=RQC0AZSGP179FJBZB0A4#sp_detail_feedbackForm). Shown on p. 1. (Year: 2020).\*

(Continued)

*Primary Examiner* — Cynthia Ramirez  
*Assistant Examiner* — Michael A Maharajh

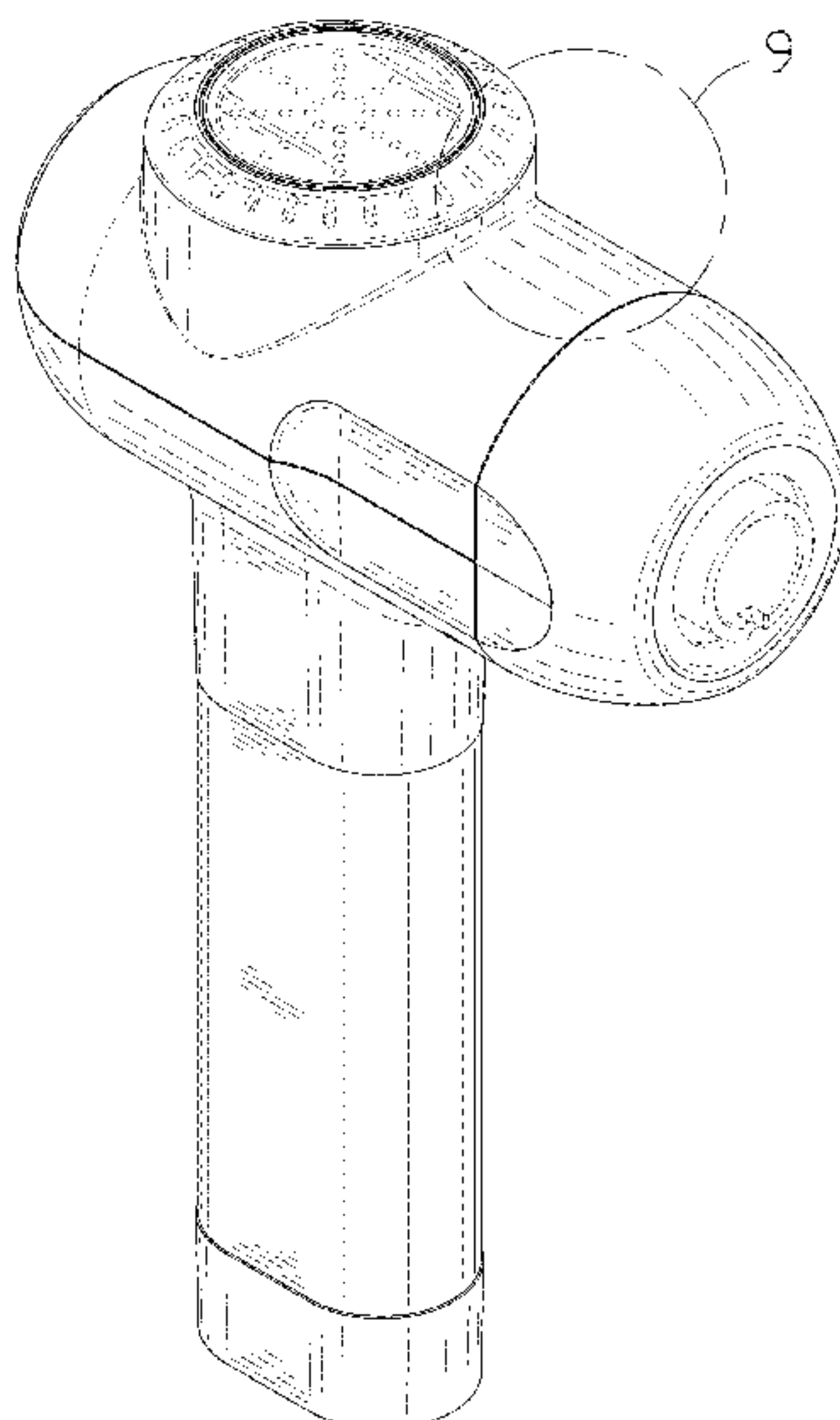
(57) **CLAIM**

The ornamental design for a muscle massager, as shown and described.

**DESCRIPTION**

FIG. 1 is a top, front and left side perspective view of a muscle massager showing my new design;  
FIG. 2 is a bottom, rear and right side perspective view thereof;  
FIG. 3 is a front elevational view thereof;  
FIG. 4 is a rear elevational view thereof;  
FIG. 5 is a left side view thereof;  
FIG. 6 is a right side view thereof;  
FIG. 7 is a top plan view thereof;  
FIG. 8 is a bottom plan view thereof; and,  
FIG. 9 is an enlarged view of portion 9 in FIG. 1.  
The broken lines in the drawings illustrate portions of the muscle massager which form no part of the claimed design.

**1 Claim, 9 Drawing Sheets**



(56)

**References Cited**

## U.S. PATENT DOCUMENTS

D895,132 S \* 9/2020 Hu ..... D24/215  
D895,133 S \* 9/2020 Xu ..... D24/215  
D895,135 S \* 9/2020 Xu ..... D24/215  
D895,829 S \* 9/2020 Hu ..... D24/215  
D895,831 S \* 9/2020 Chen ..... D24/215  
D896,396 S \* 9/2020 Wersland ..... D24/215  
2010/0160841 A1 \* 6/2010 Wu ..... A61H 7/004  
601/135  
2018/0200141 A1 \* 7/2018 Wersland ..... A61H 23/0254  
2019/0175434 A1 \* 6/2019 Zhang ..... A61H 23/006  
2019/0254921 A1 \* 8/2019 Marton ..... A61H 23/006  
2019/0350793 A1 \* 11/2019 Wersland ..... A61H 23/006  
2020/0069510 A1 \* 3/2020 Wersland ..... A61H 23/00  
2020/0085675 A1 \* 3/2020 Lee ..... A61H 1/00  
2020/0214930 A1 \* 7/2020 Wersland ..... A61H 1/00  
2020/0253818 A1 \* 8/2020 Marton ..... A61H 23/006  
2020/0261306 A1 \* 8/2020 Pepe ..... A61H 23/0254  
2020/0261307 A1 \* 8/2020 Wersland ..... A61H 23/0254  
2020/0289364 A1 \* 9/2020 Zhou ..... A61H 23/006  
2020/0289365 A1 \* 9/2020 Wersland ..... A61H 23/0254

## OTHER PUBLICATIONS

Alibaba, "Fabricante\_Massager", Oct. 1, 2020. [https://spanish.alibaba.com/product-detail/professional-manufacturer-since-2006-custom-odm-lithium-battery-powered-portable-deep-muscle-stimulation-massager-gun-62530512534.html?spm=a2700.md\\_es\\_ES.deiletai6.9.2f361670NcoTua](https://spanish.alibaba.com/product-detail/professional-manufacturer-since-2006-custom-odm-lithium-battery-powered-portable-deep-muscle-stimulation-massager-gun-62530512534.html?spm=a2700.md_es_ES.deiletai6.9.2f361670NcoTua). Shown on p. 1. (Year: 2020).\*

\* cited by examiner

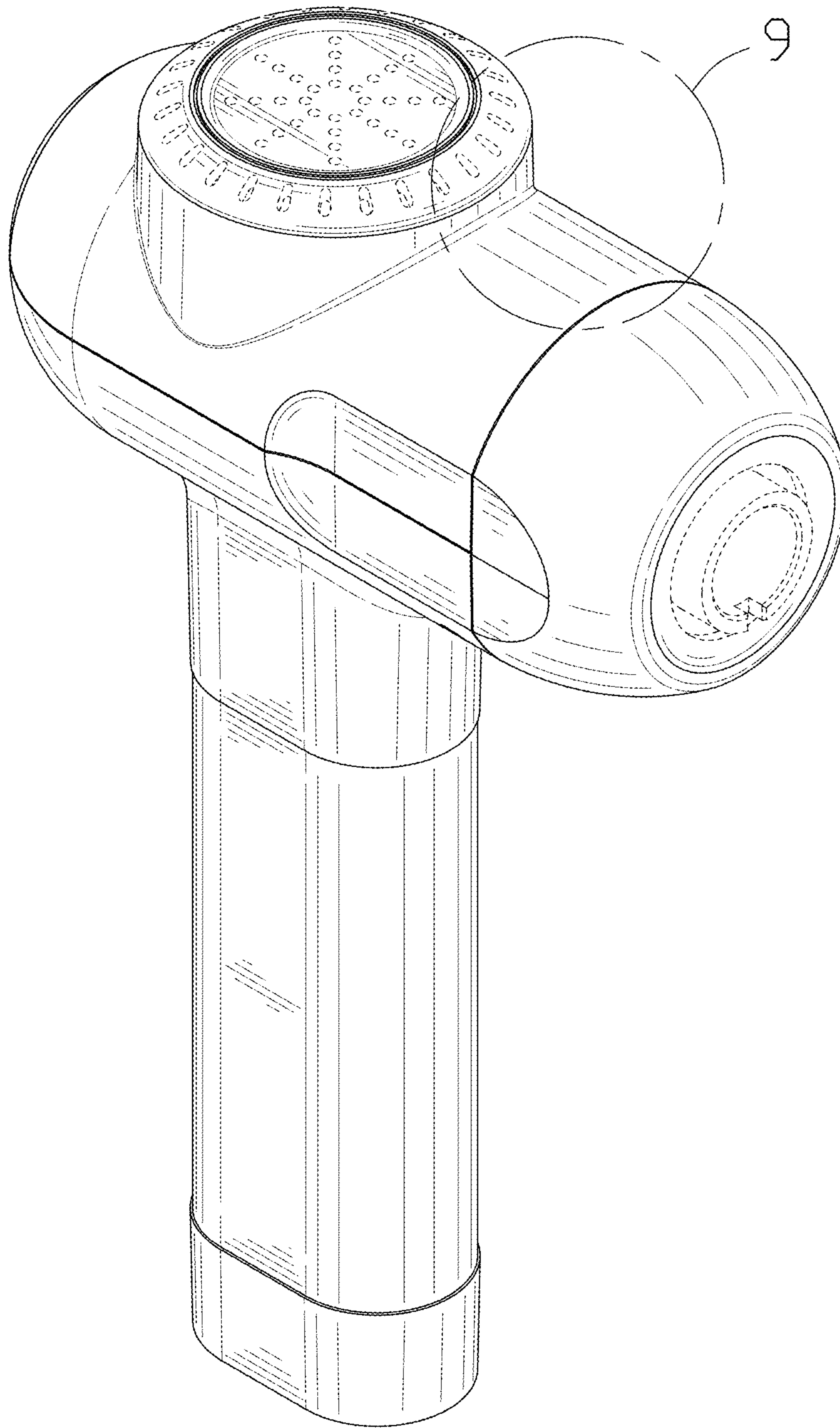


FIG. 1



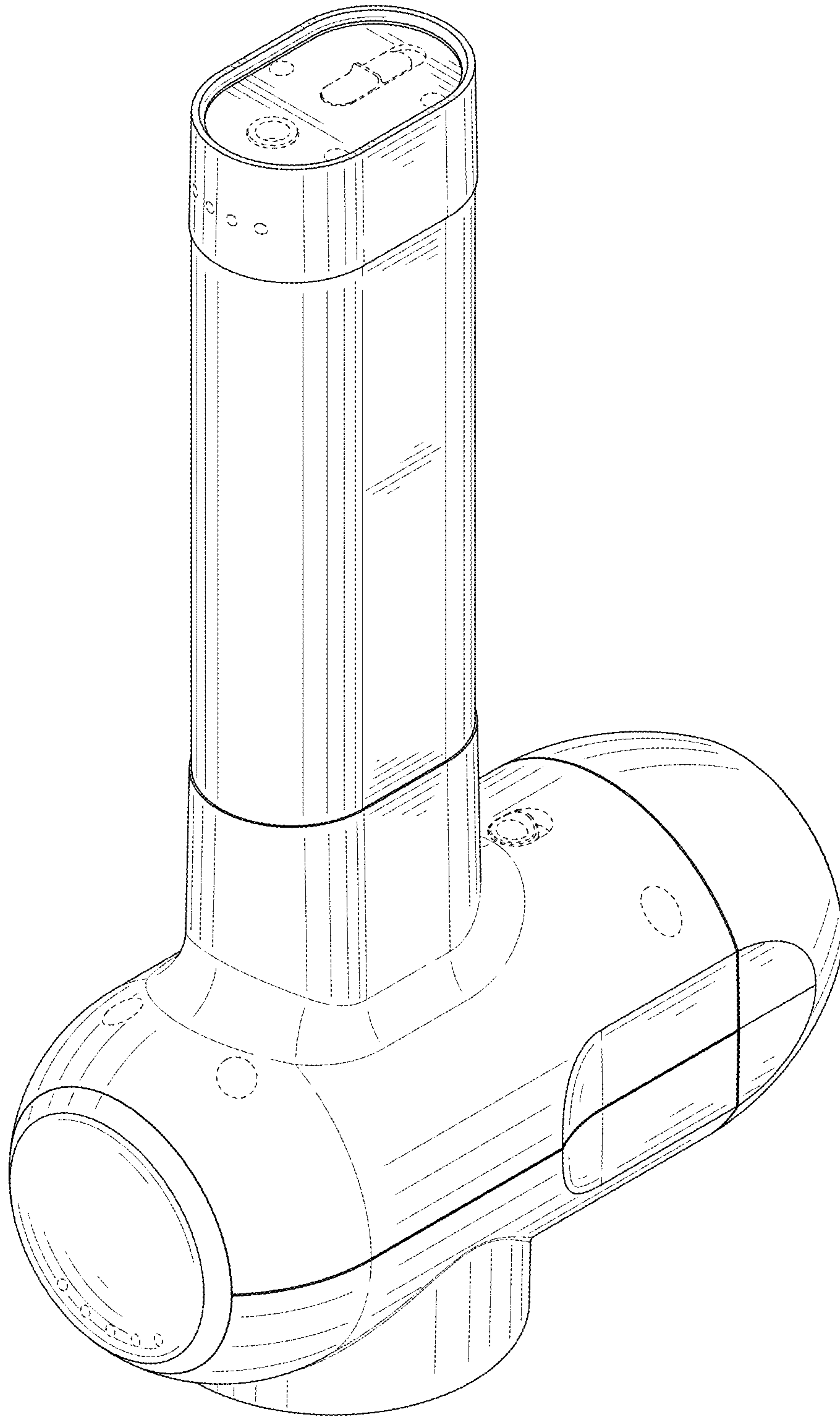


FIG. 2

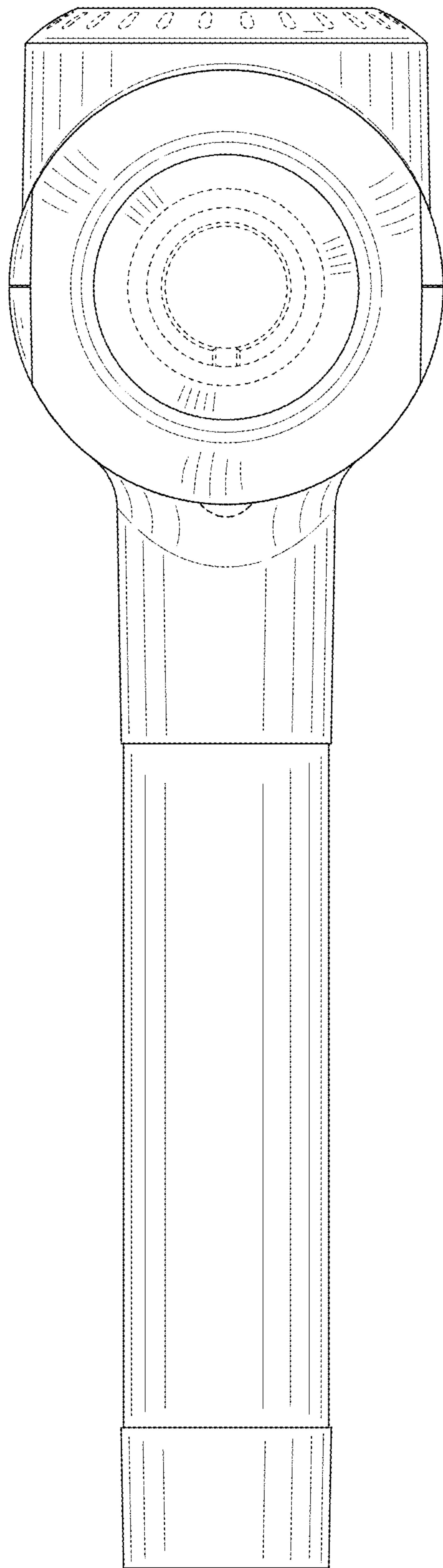


FIG. 3

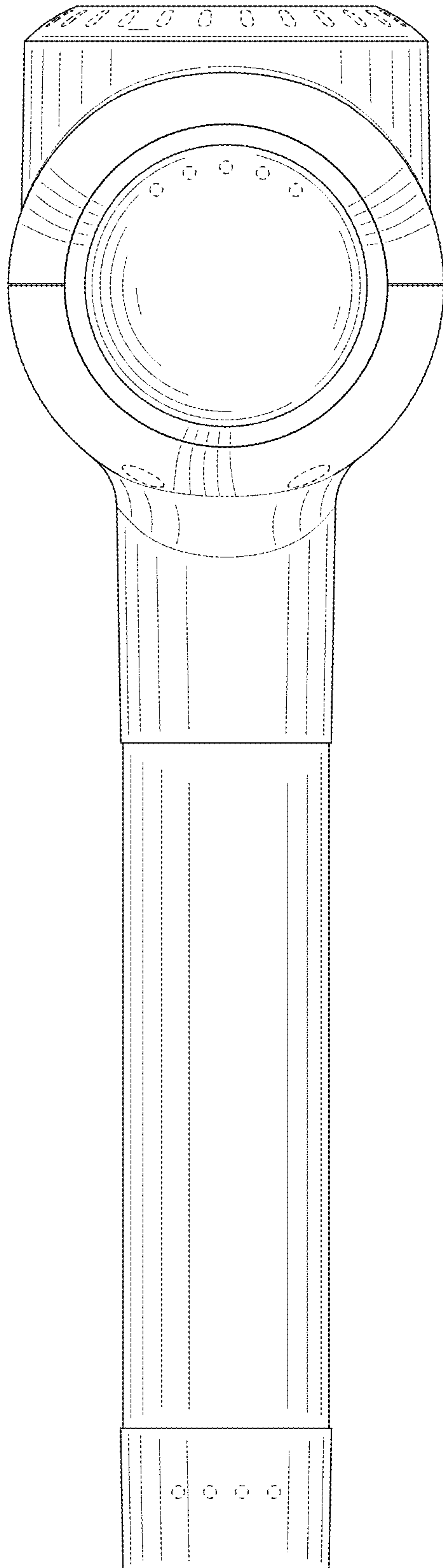


FIG. 4

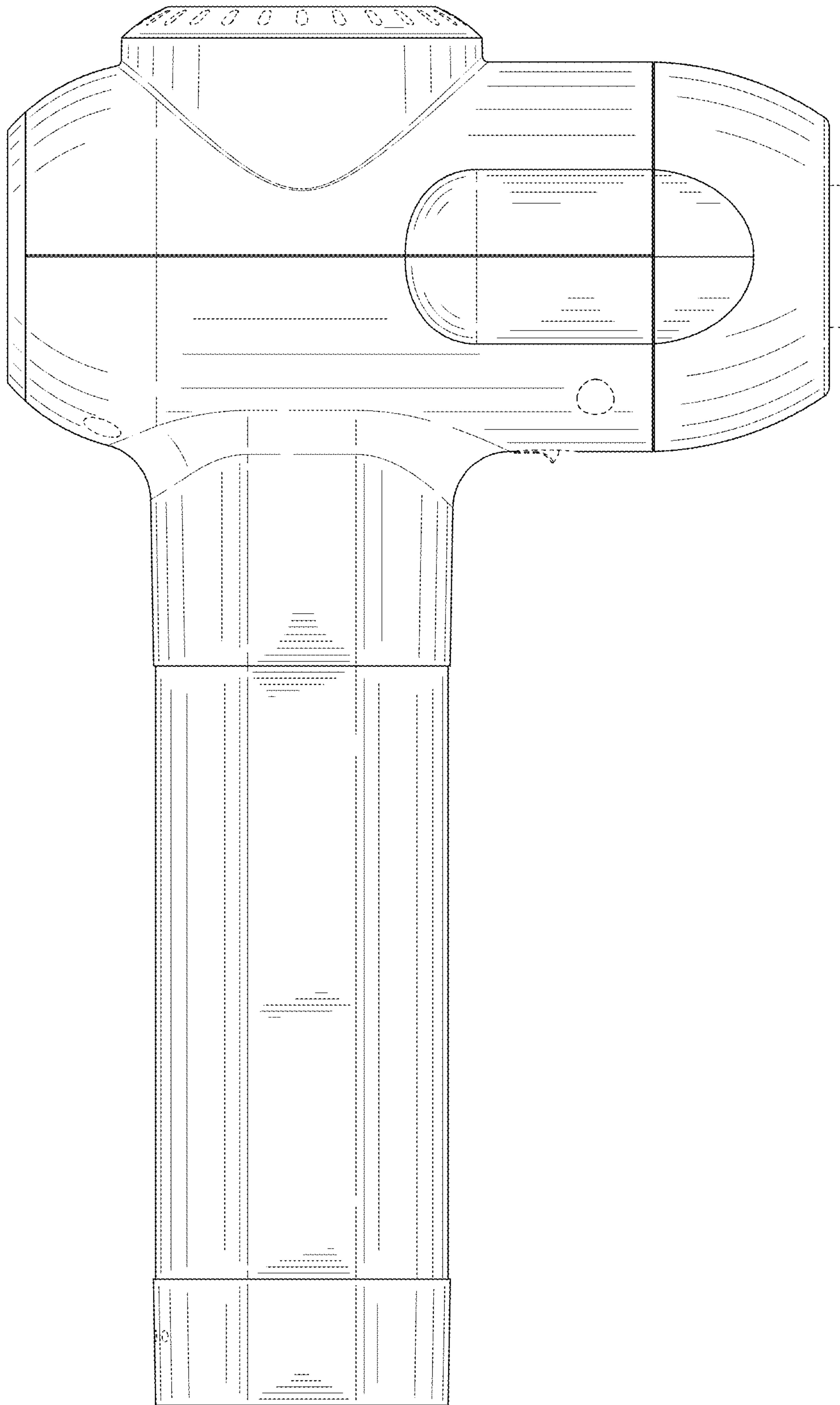


FIG. 5

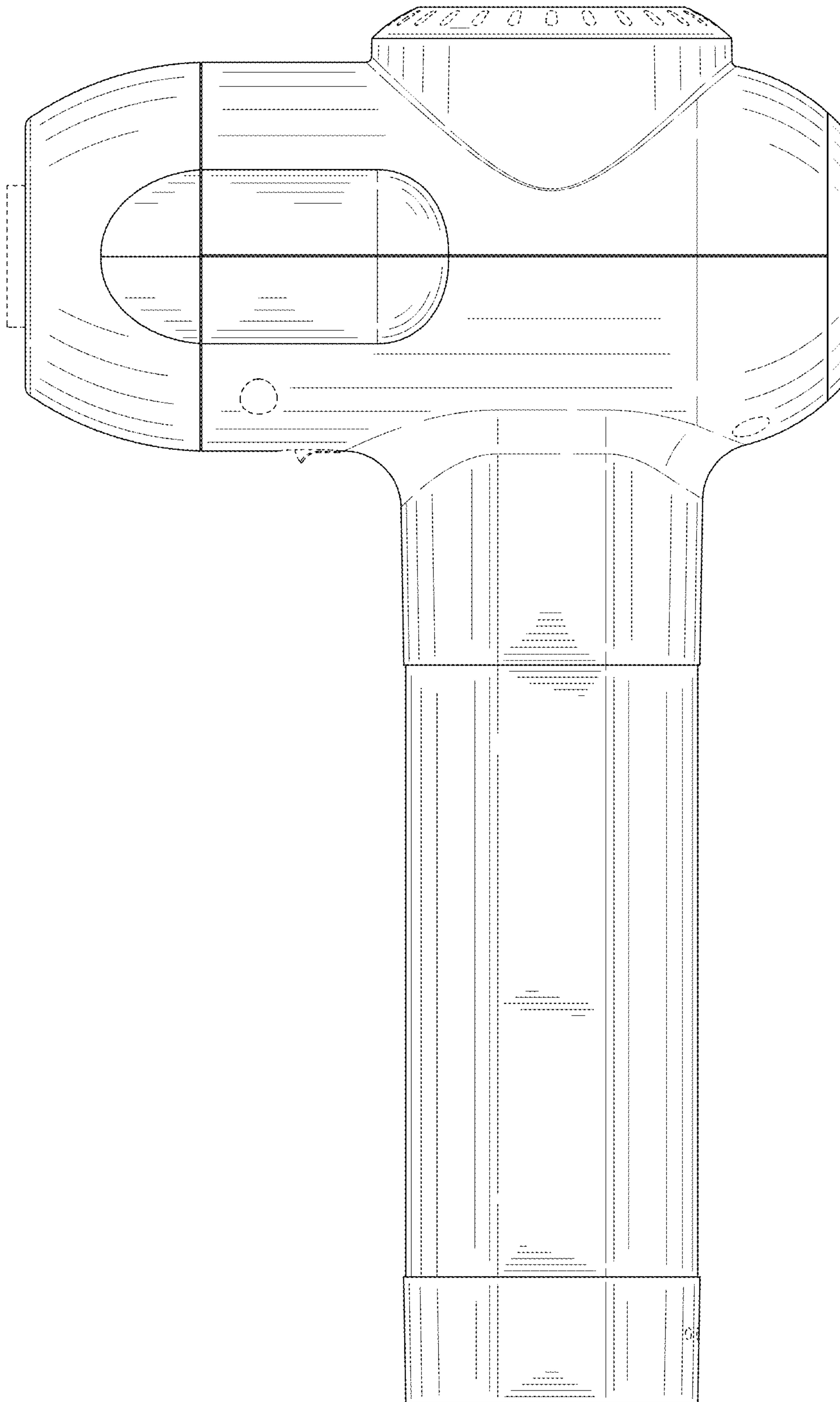


FIG. 6



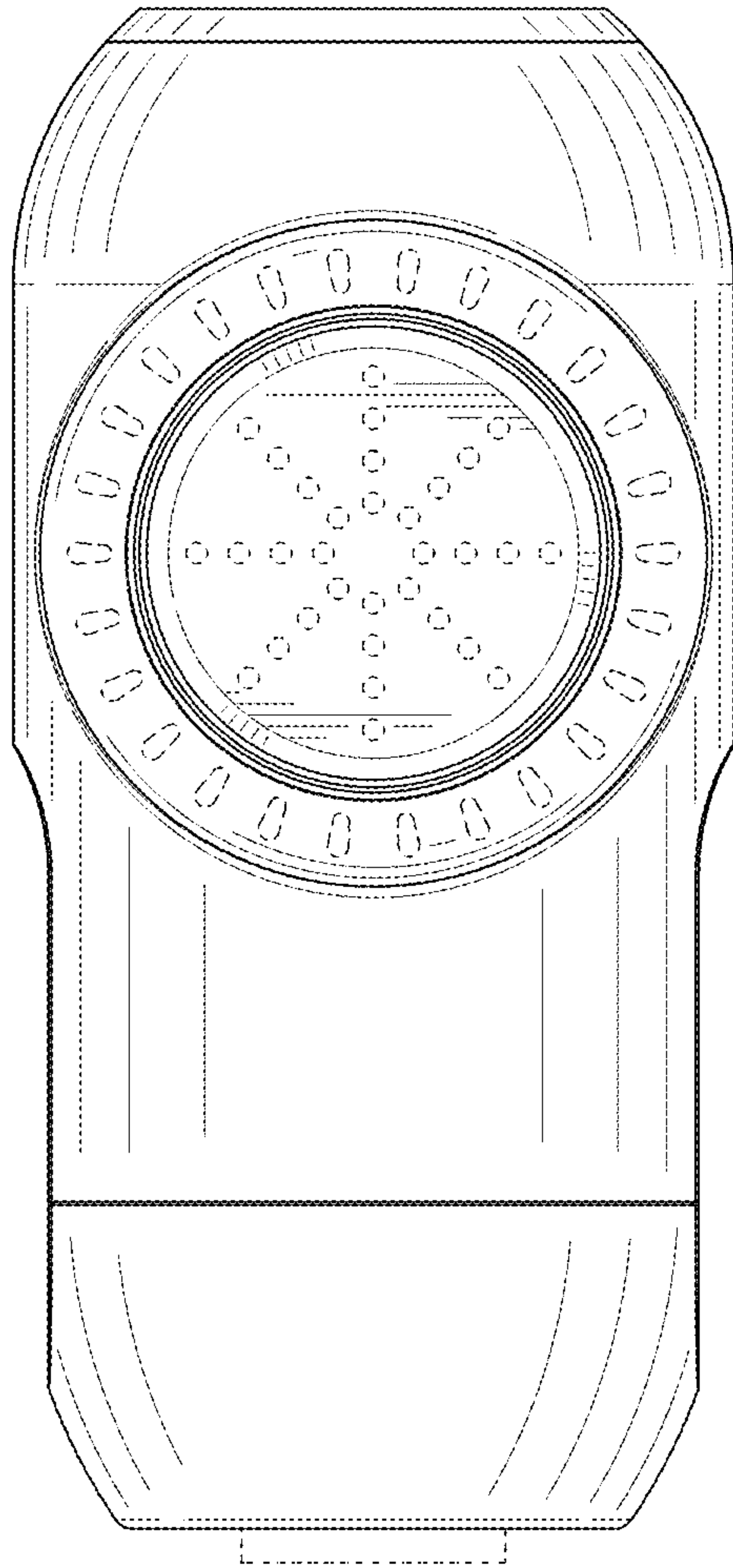


FIG. 7

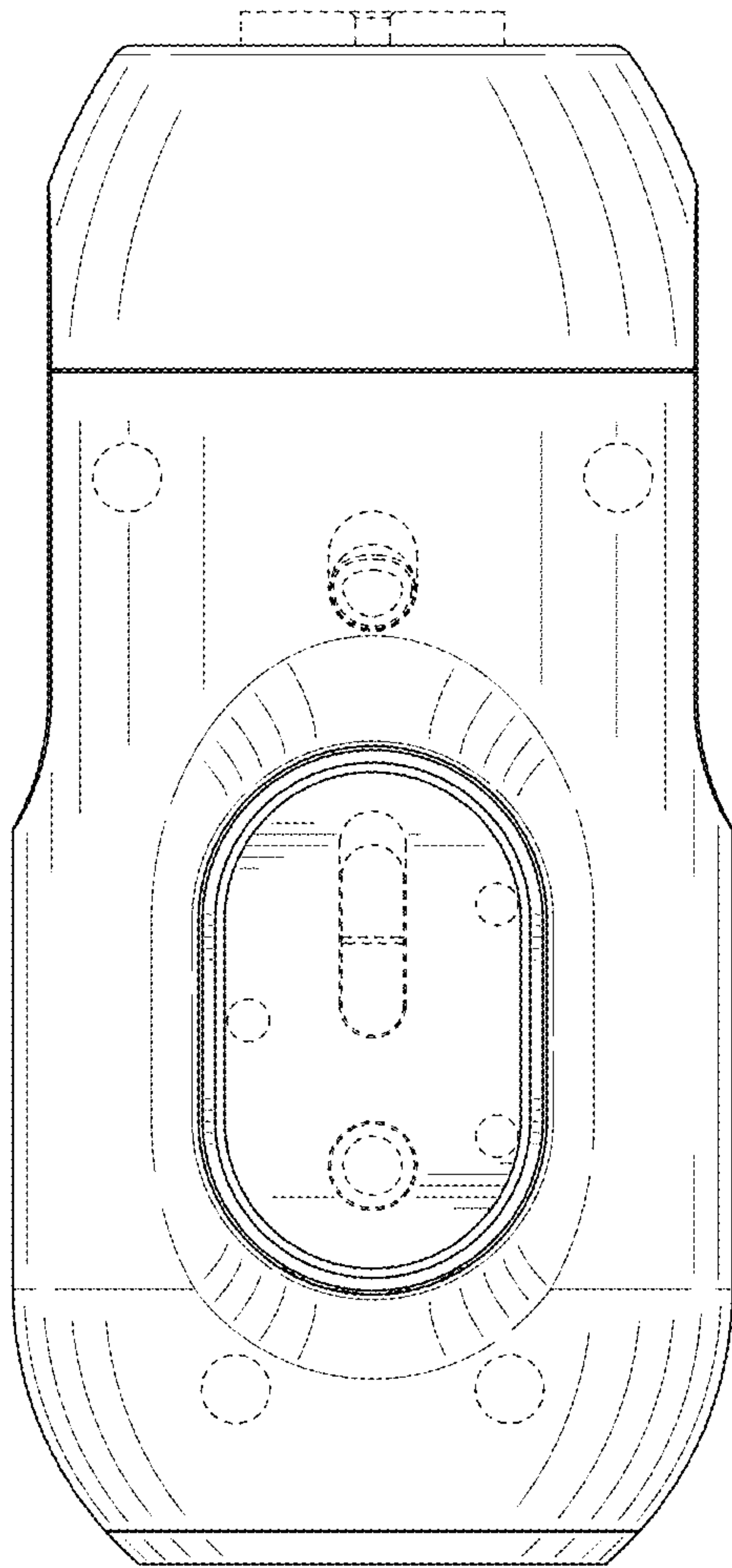


FIG. 8

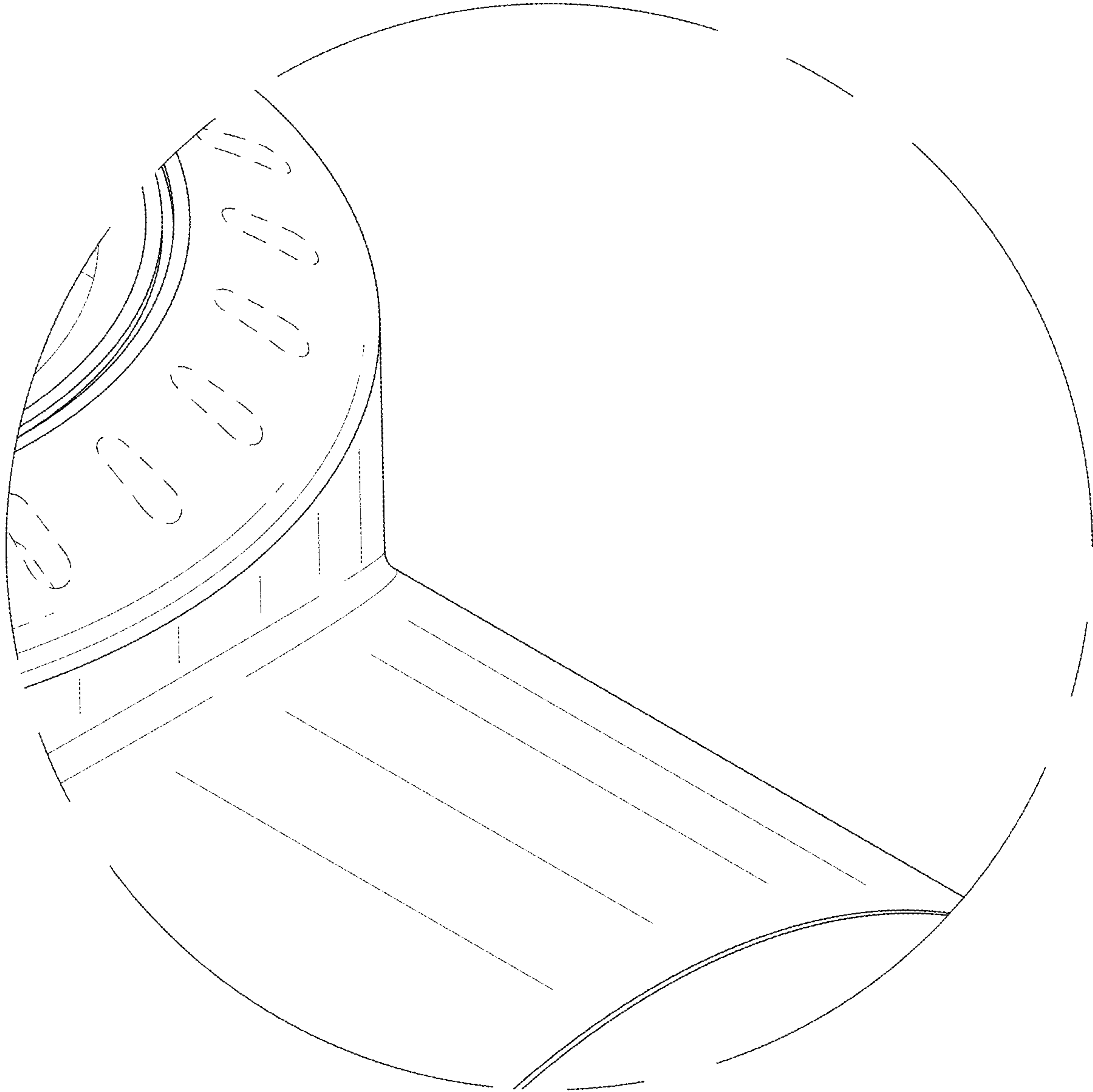


FIG. 9