



US00D907229S

(12) **United States Design Patent** (10) **Patent No.:** **US D907,229 S**
Zhang (45) **Date of Patent:** **** Jan. 5, 2021**

(54) **MUSCLE MASSAGER**
(71) Applicant: **Sichuan Qianli-beoka Medical Technology Inc., Sichuan (CN)**
(72) Inventor: **Wen Zhang, Sichuan (CN)**
(73) Assignee: **Sichuan Qianli-beoka Medical Technology Inc., Chengdu (CN)**
(**) Term: **15 Years**

D880,716 S * 4/2020 Wersland D24/215
D884,205 S * 5/2020 Zhuang D24/215
D884,207 S * 5/2020 Ma D24/215
D884,915 S * 5/2020 Wersland D24/215
D885,601 S * 5/2020 Wersland D24/215
D886,317 S * 6/2020 Marton D24/215
D887,573 S * 6/2020 Wersland D24/215
D893,738 S * 8/2020 Zhuang D24/215
D895,132 S * 9/2020 Hu D24/215
D895,133 S * 9/2020 Xu D24/215
D895,135 S * 9/2020 Xu D24/215

(Continued)

(21) Appl. No.: **29/692,960**

OTHER PUBLICATIONS

(22) Filed: **May 29, 2019**

Amazon, "Massager Gun", Aug. 18, 2020. https://www.amazon.com/Massager-Percussion-Handheld-Portable-Brushless/dp/B083BY3B2T/ref=pd_ybh_a_2?encoding=UTF8&psc=1&refRID=RQC0AZSGP179FJBZB0A4#sp_detail_feedbackForm. Shown on p. 1. (Year: 2020).*

(30) **Foreign Application Priority Data**

Dec. 29, 2018 (CN) 2018 3 0769803

(51) **LOC (13) Cl.** **28-03**

(52) **U.S. Cl.**
USPC **D24/215**

Primary Examiner — Cynthia Ramirez
Assistant Examiner — Michael A Maharajh

(58) **Field of Classification Search**
USPC D24/200, 211, 212, 213, 214, 215;
D8/14.1
CPC A61H 15/0092; A61H 15/00; A61H 7/004;
A61H 23/006
See application file for complete search history.

(57) **CLAIM**

The ornamental design for a muscle massager, as shown and described.

DESCRIPTION

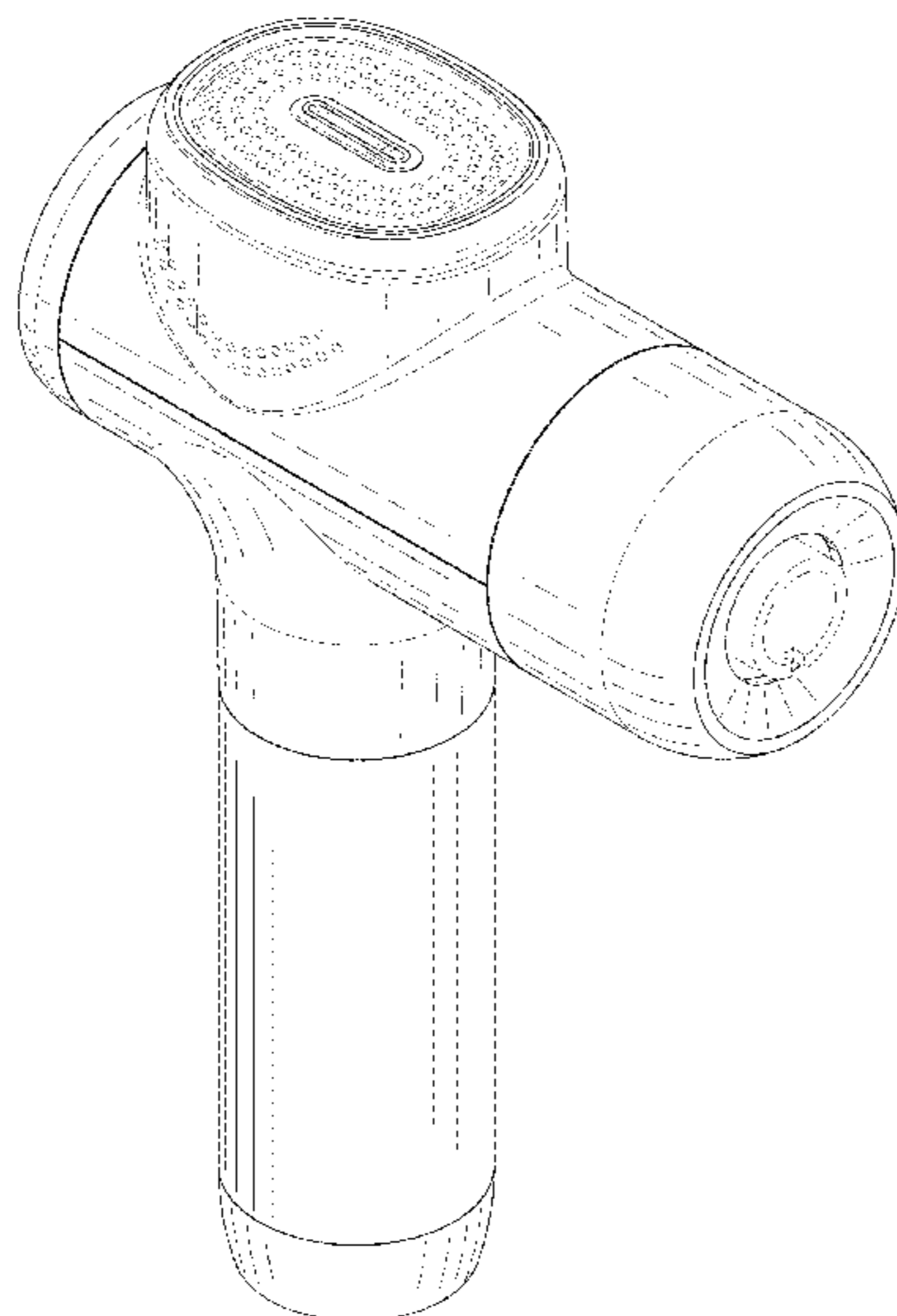
(56) **References Cited**

U.S. PATENT DOCUMENTS

D838,378 S * 1/2019 Cao D24/215
D840,547 S * 2/2019 Harle D24/214
D855,822 S * 8/2019 Marton D24/215
D866,790 S * 11/2019 Lee D24/215
D872,869 S * 1/2020 Lu D24/215
D873,432 S * 1/2020 Duan D24/214
D874,015 S * 1/2020 Marton D24/215
D875,961 S * 2/2020 Li D24/211
D879,985 S * 3/2020 Wersland D24/214
D879,986 S * 3/2020 Wersland D24/214
D880,714 S * 4/2020 Wersland D24/215
D880,715 S * 4/2020 Wersland D24/215

FIG. 1 is a top, front and left side perspective view of a muscle massager showing my new design;
FIG. 2 is a bottom, rear and right side perspective view thereof;
FIG. 3 is a front elevational view thereof;
FIG. 4 is a rear elevational view thereof;
FIG. 5 is a left side view thereof;
FIG. 6 is a right side view thereof;
FIG. 7 is a top plan view thereof; and,
FIG. 8 is a bottom plan view thereof.
The broken lines in the drawings illustrate portions of the muscle massager which form no part of the claimed design.

1 Claim, 8 Drawing Sheets



(56)

References Cited

U.S. PATENT DOCUMENTS

D895,829 S * 9/2020 Hu D24/215
D895,831 S * 9/2020 Chen D24/215
D896,396 S * 9/2020 Wersland D24/215
2010/0160841 A1 * 6/2010 Wu A61H 7/004
601/135
2018/0200141 A1 * 7/2018 Wersland A61H 23/0254
2019/0175434 A1 * 6/2019 Zhang A61H 23/006
2019/0254921 A1 * 8/2019 Marton A61H 23/006
2019/0350793 A1 * 11/2019 Wersland A61H 23/006
2020/0069510 A1 * 3/2020 Wersland A61H 23/00
2020/0085675 A1 * 3/2020 Lee A61H 1/00
2020/0214930 A1 * 7/2020 Wersland A61H 1/00
2020/0253818 A1 * 8/2020 Marton A61H 23/006
2020/0261306 A1 * 8/2020 Pepe A61H 23/0254
2020/0261307 A1 * 8/2020 Wersland A61H 23/0254
2020/0289364 A1 * 9/2020 Zhou A61H 23/006
2020/0289365 A1 * 9/2020 Wersland A61H 23/0254

* cited by examiner

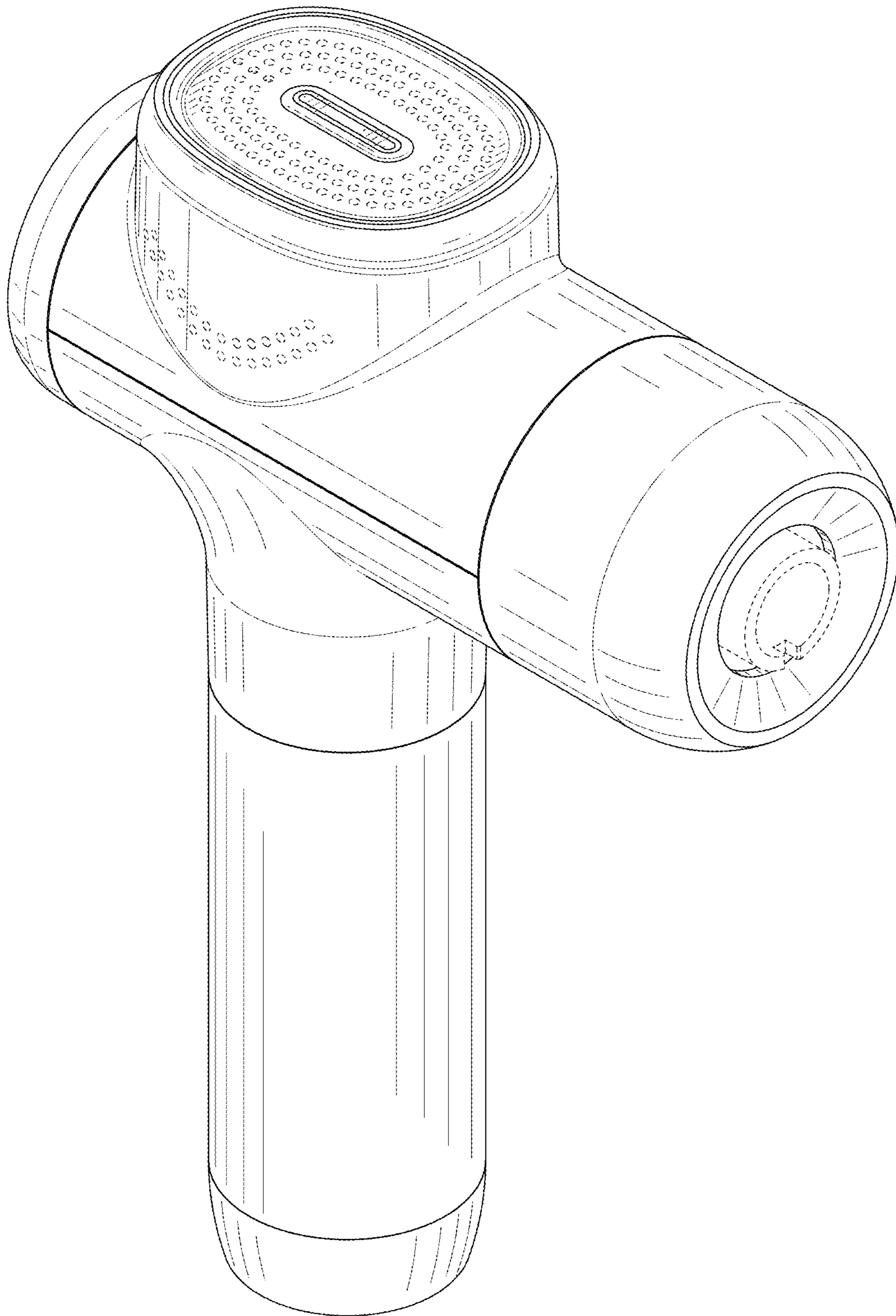


FIG. 1

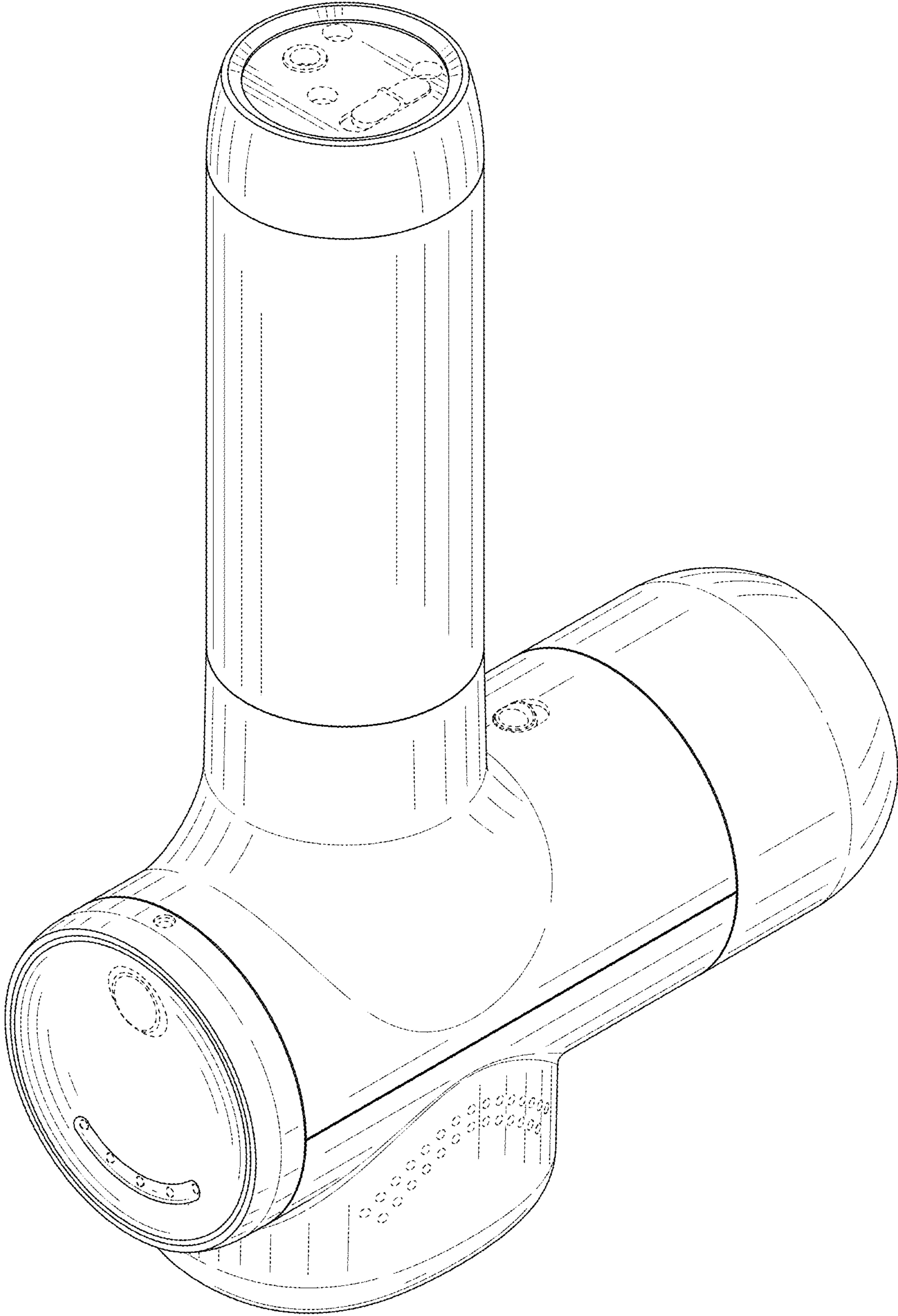


FIG. 2

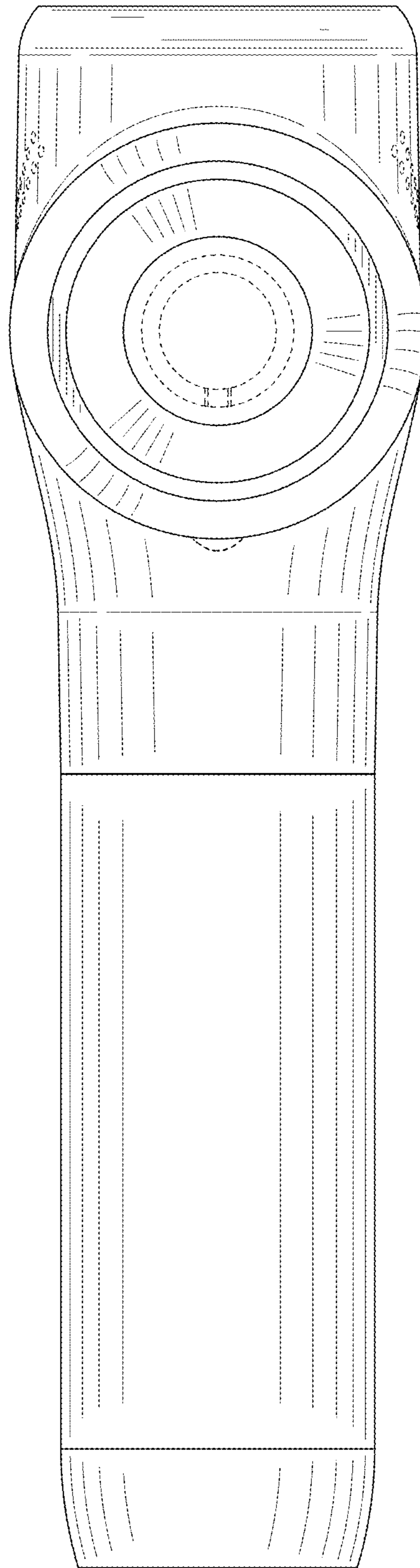


FIG. 3

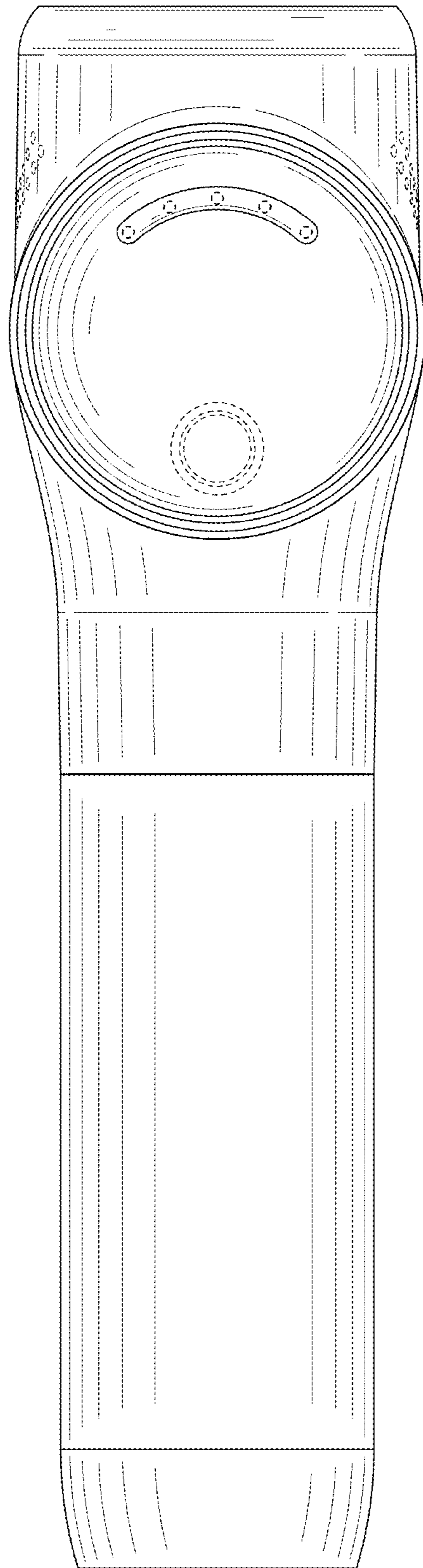


FIG. 4

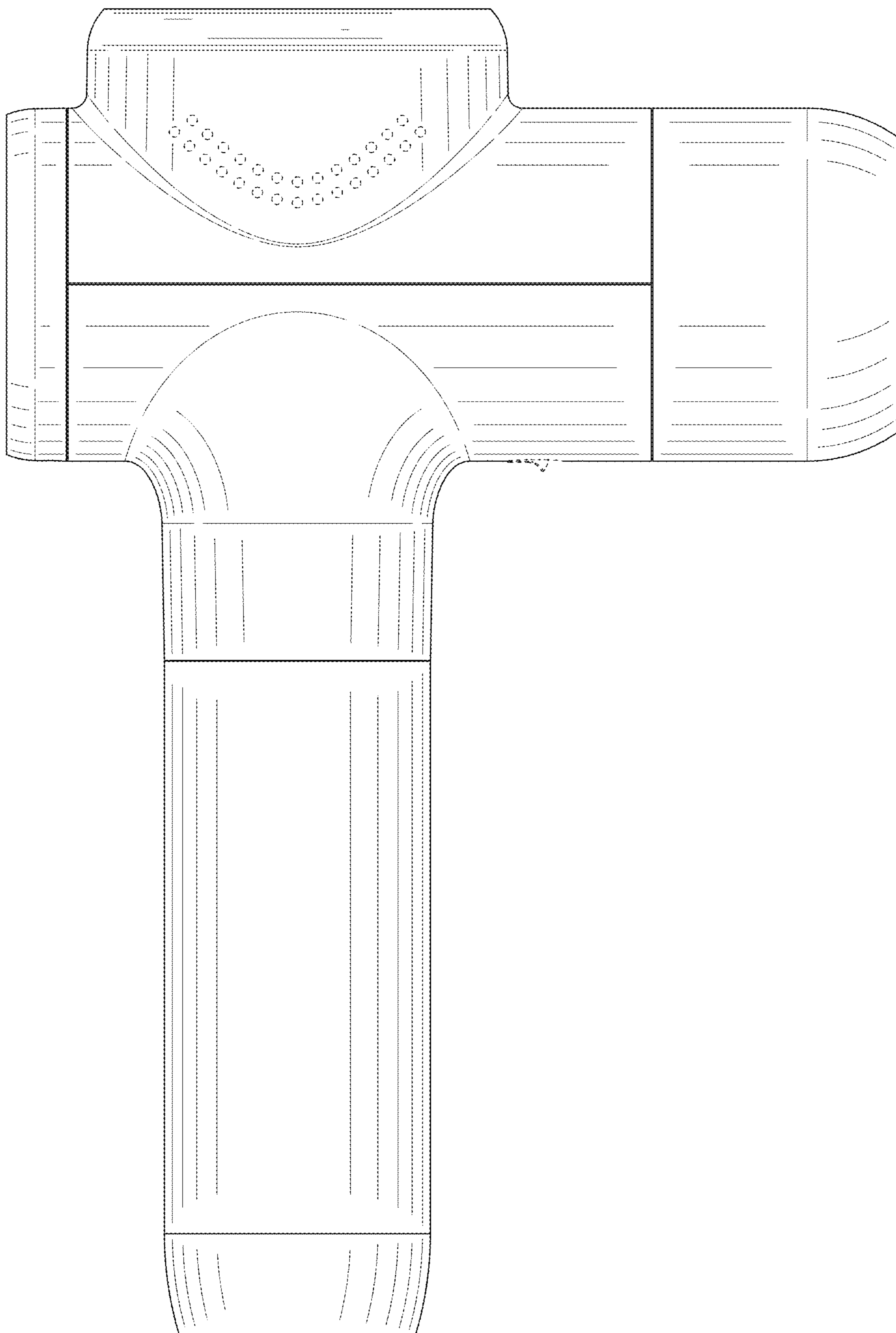


FIG. 5

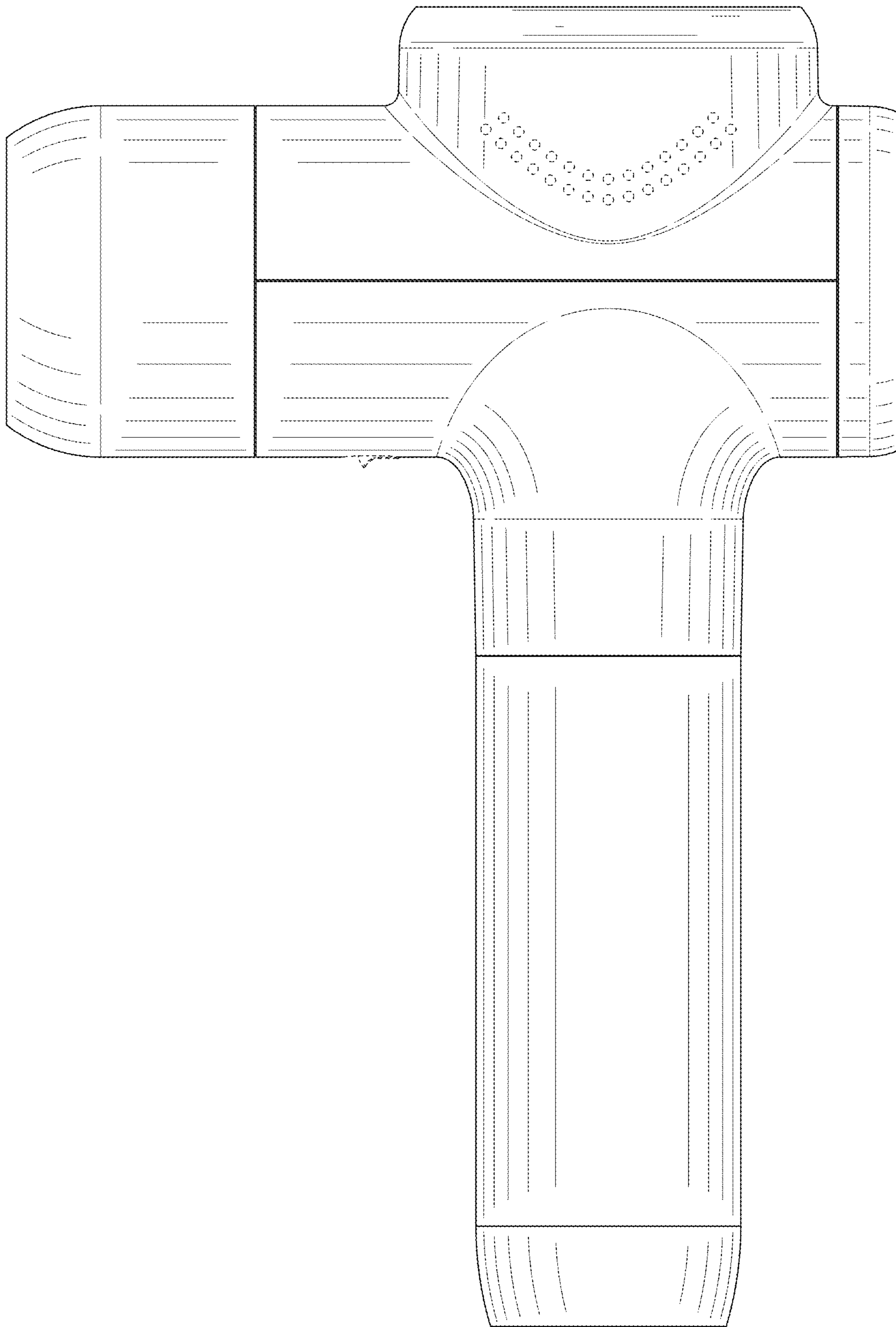


FIG. 6

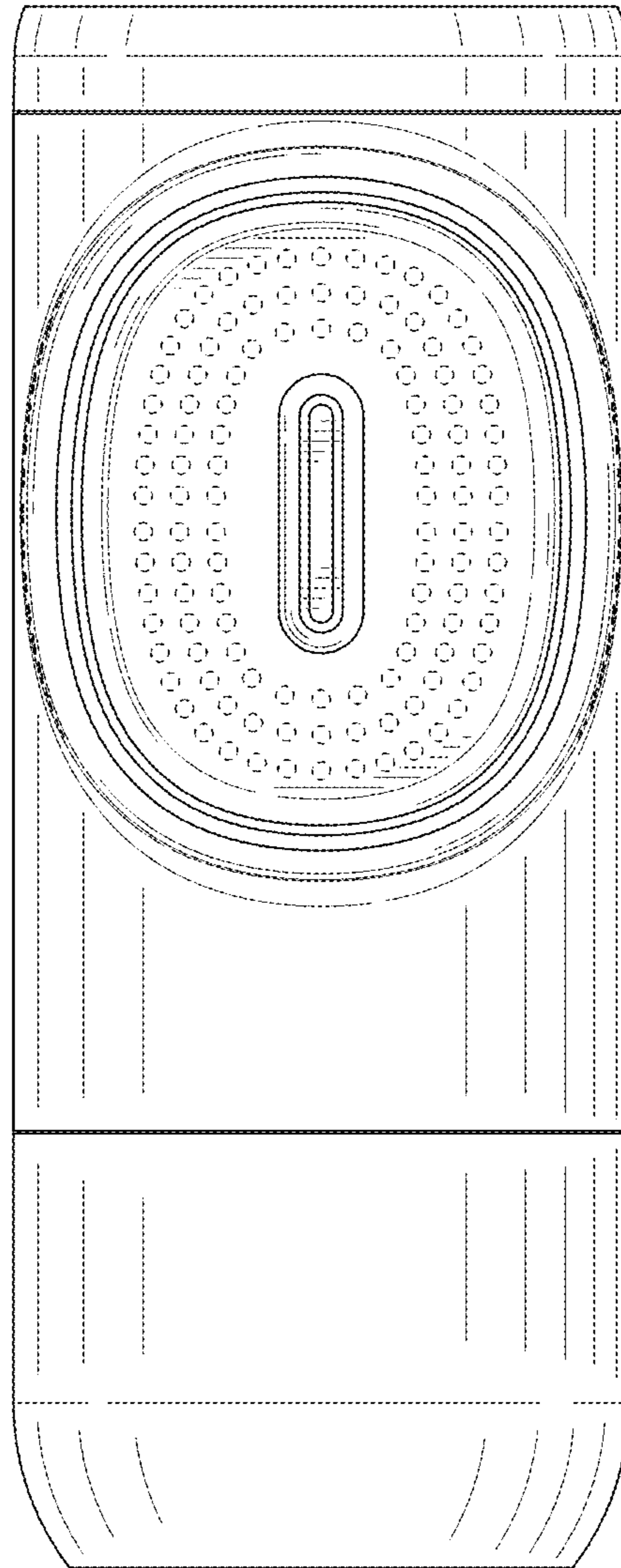


FIG. 7

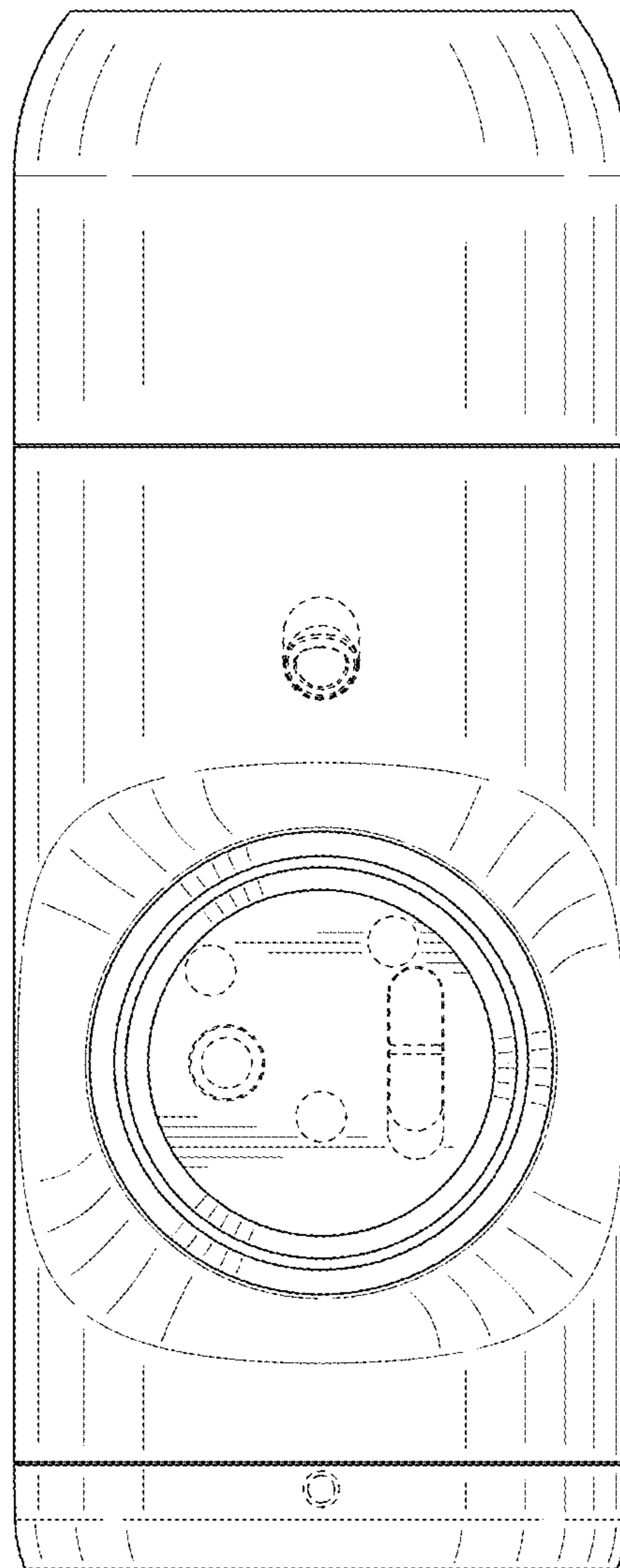


FIG. 8