



US00D907223S

(12) **United States Design Patent**  
**Jan et al.**

(10) **Patent No.:** **US D907,223 S**  
(45) **Date of Patent:** **\*\* Jan. 5, 2021**

(54) **PEDICURE SPA TUB**

D701,970 S \* 4/2014 Le ..... D24/204  
D760,910 S \* 7/2016 Jan ..... D24/204  
2019/0104891 A1\* 4/2019 Tran ..... A47K 3/001

(71) Applicant: **Foresee Sciencetech Ltd.**, Xiushui Township, Changhua County (TW)

\* cited by examiner

(72) Inventors: **Danny Jan**, Xiushui Township (TW);  
**Cheng-Hsiung Chang**, Xiushui Township (TW)

*Primary Examiner* — Anhdao Doan

(74) *Attorney, Agent, or Firm* — Alan D. Kamrath; Mayer & Williams PC

(73) Assignee: **Foresee Sciencetech Ltd.**, Xiushui Township (TW)

(\*\*) Term: **15 Years**

(57) **CLAIM**

The ornamental design for a pedicure spa tub, as shown and described.

(21) Appl. No.: **29/707,400**

(22) Filed: **Sep. 27, 2019**

(51) **LOC (13) Cl.** ..... **28-03**

(52) **U.S. Cl.**

USPC ..... **D24/204**

(58) **Field of Classification Search**

USPC ..... D24/201–205; D23/276–278,  
D23/280.1–280.3

CPC ..... A61H 33/6005; A61H 33/6021; A61H  
33/6089; A61H 33/6094; A61H 2035/004;  
A61H 35/006; A47K 3/022; A47K 3/062

See application file for complete search history.

**DESCRIPTION**

FIG. 1 is a front perspective view of a pedicure spa tub showing our new design;  
FIG. 2 is a rear perspective view thereof;  
FIG. 3 is a front elevation view thereof;  
FIG. 4 is a rear elevation view thereof;  
FIG. 5 is a left side view thereof;  
FIG. 6 is a right side view thereof;  
FIG. 7 is a top plan view thereof; and,  
FIG. 8 is a bottom plan view thereof.

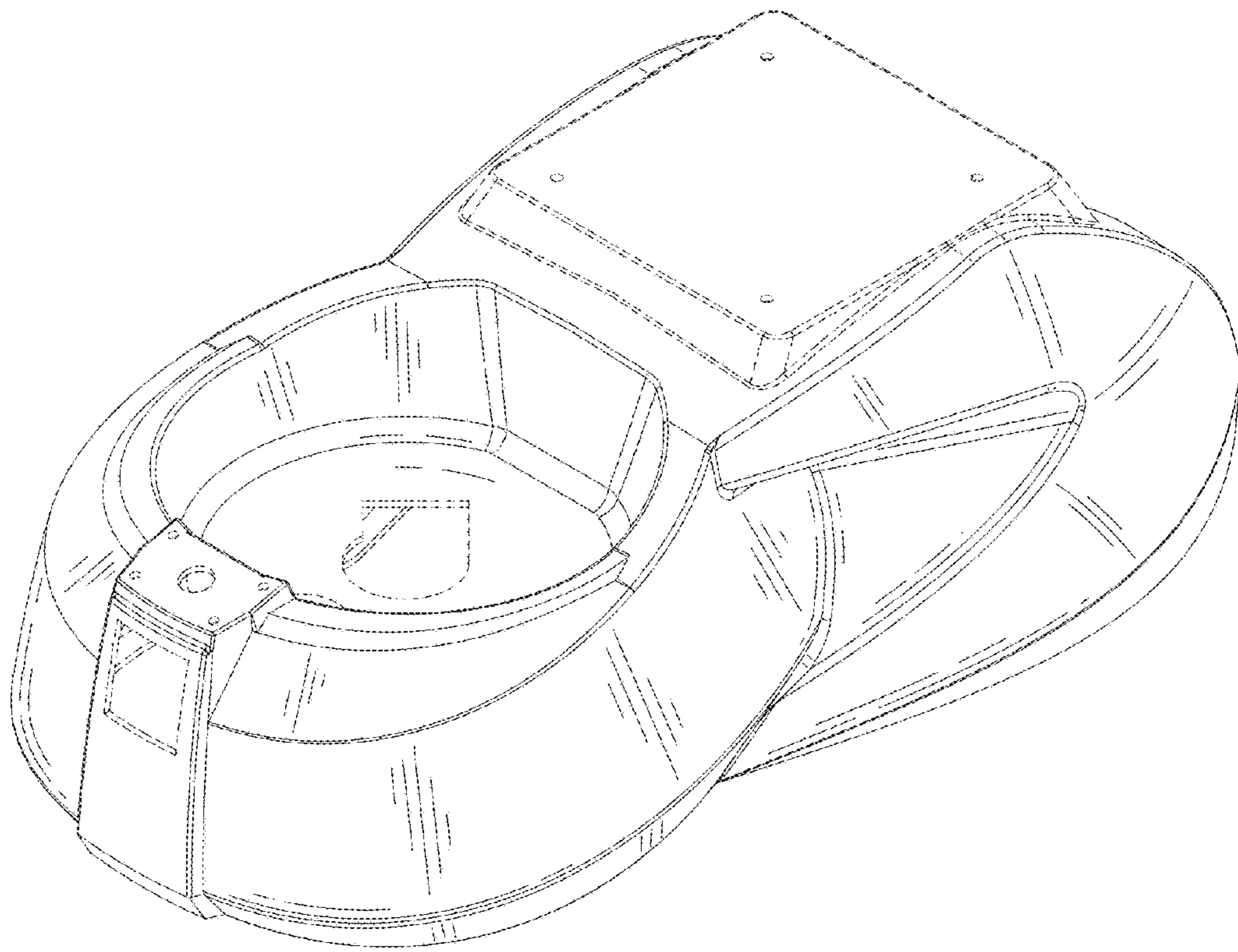
The broken lines depict portions of the pedicure spa tub that form no part of the claimed design; the broken lines form no part of the claimed design.

(56) **References Cited**

**U.S. PATENT DOCUMENTS**

D622,858 S \* 8/2010 Jan ..... D24/204  
D659,844 S \* 5/2012 Jan ..... D24/204

**1 Claim, 8 Drawing Sheets**



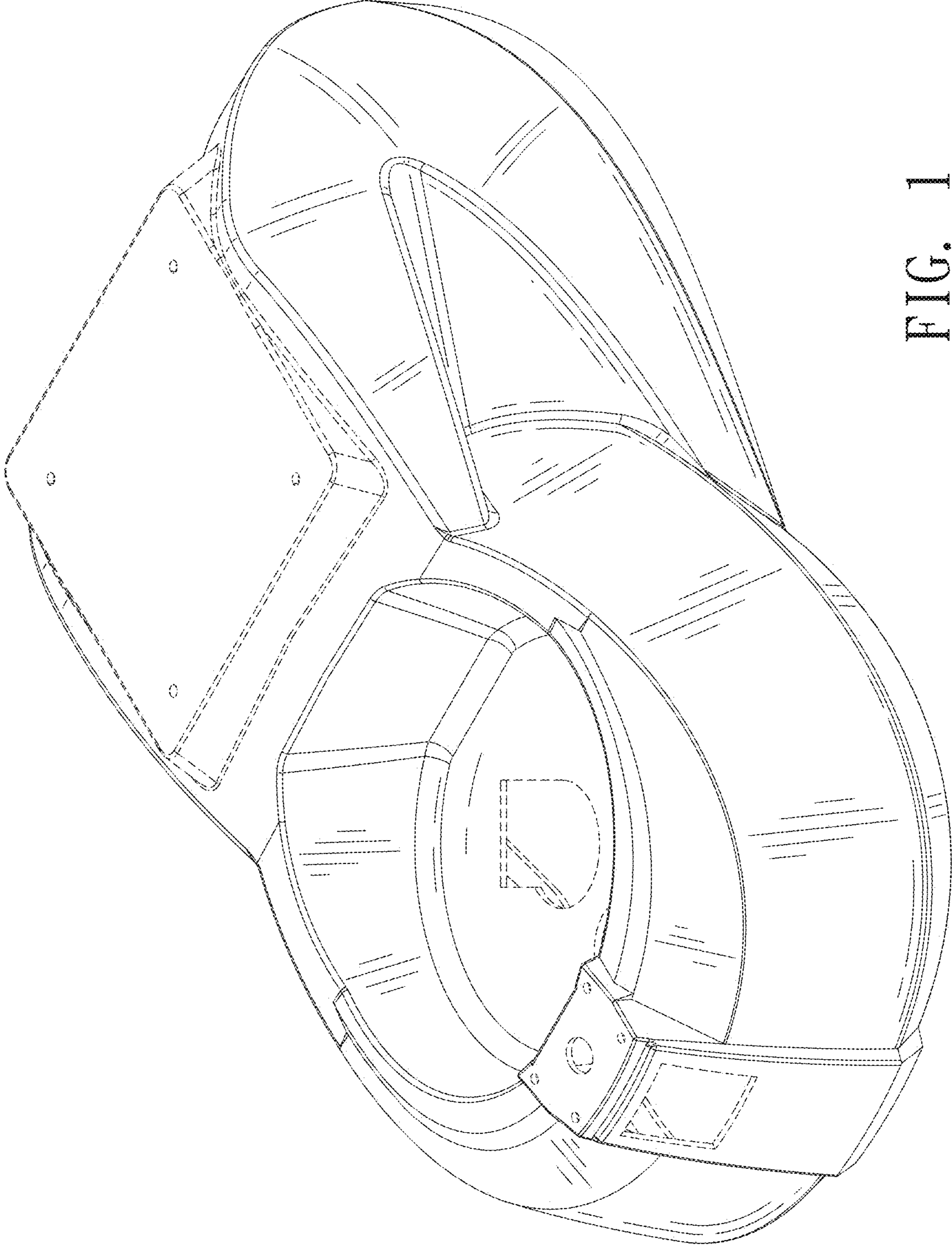


FIG. 1

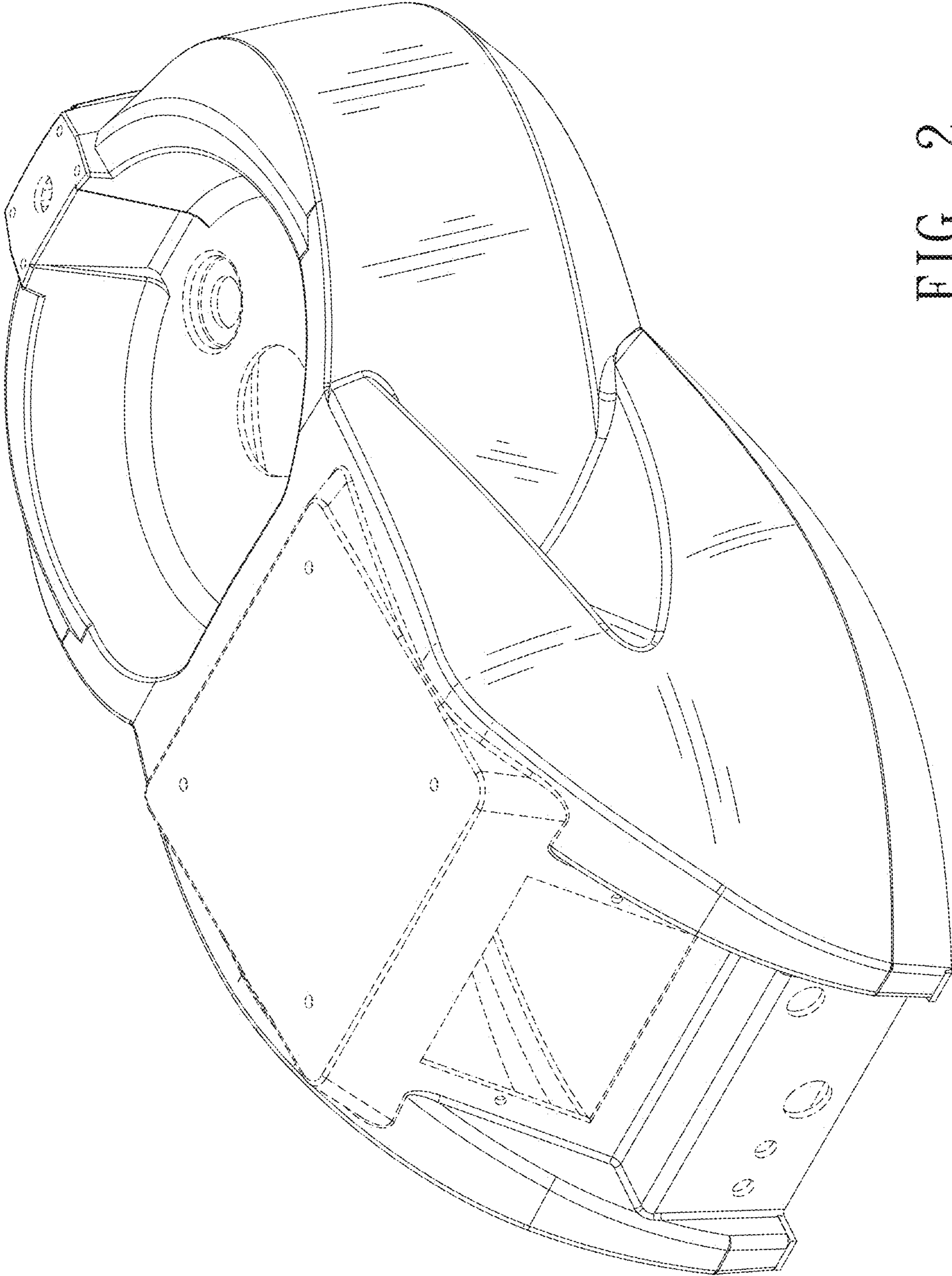


FIG. 2



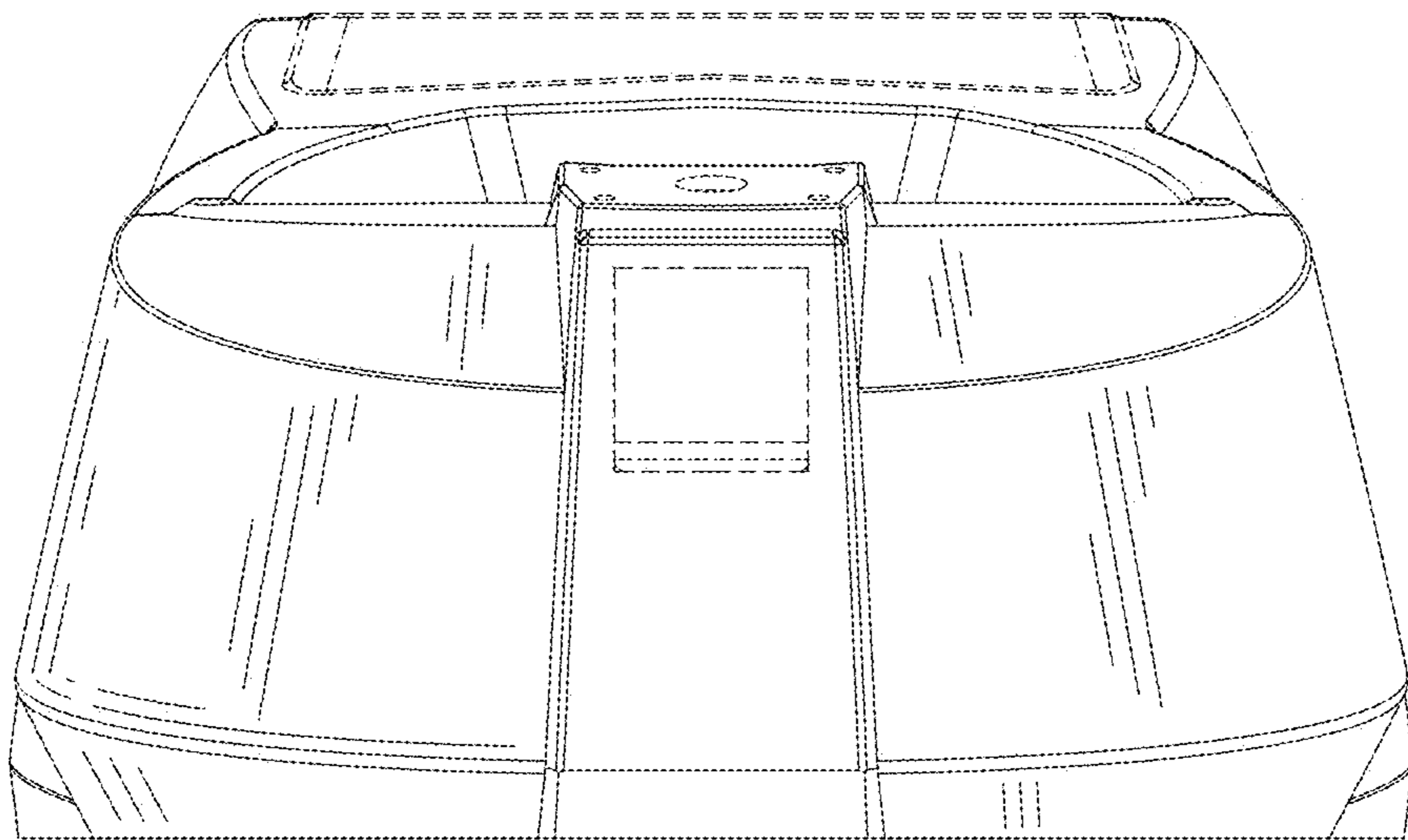


FIG. 3

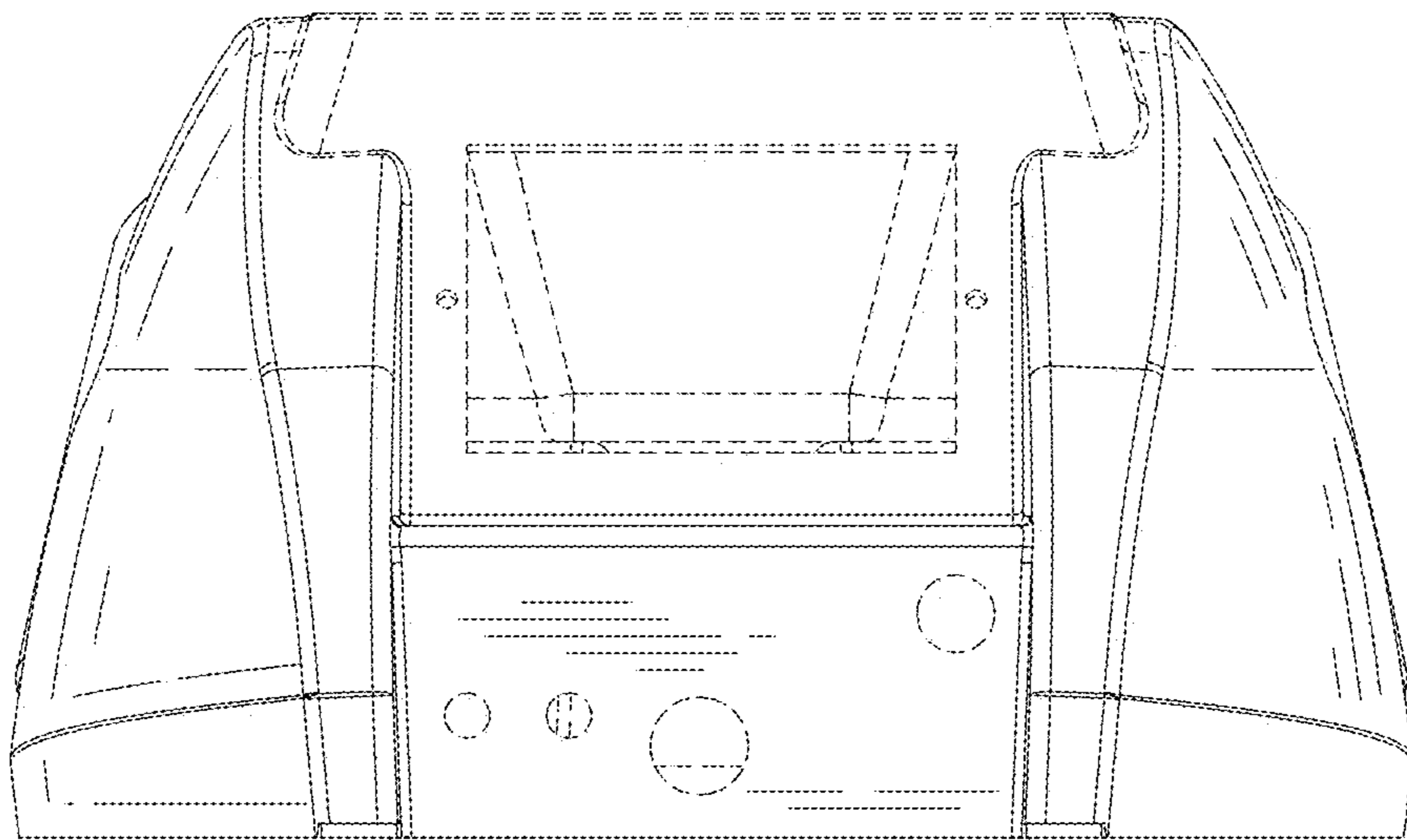


FIG. 4

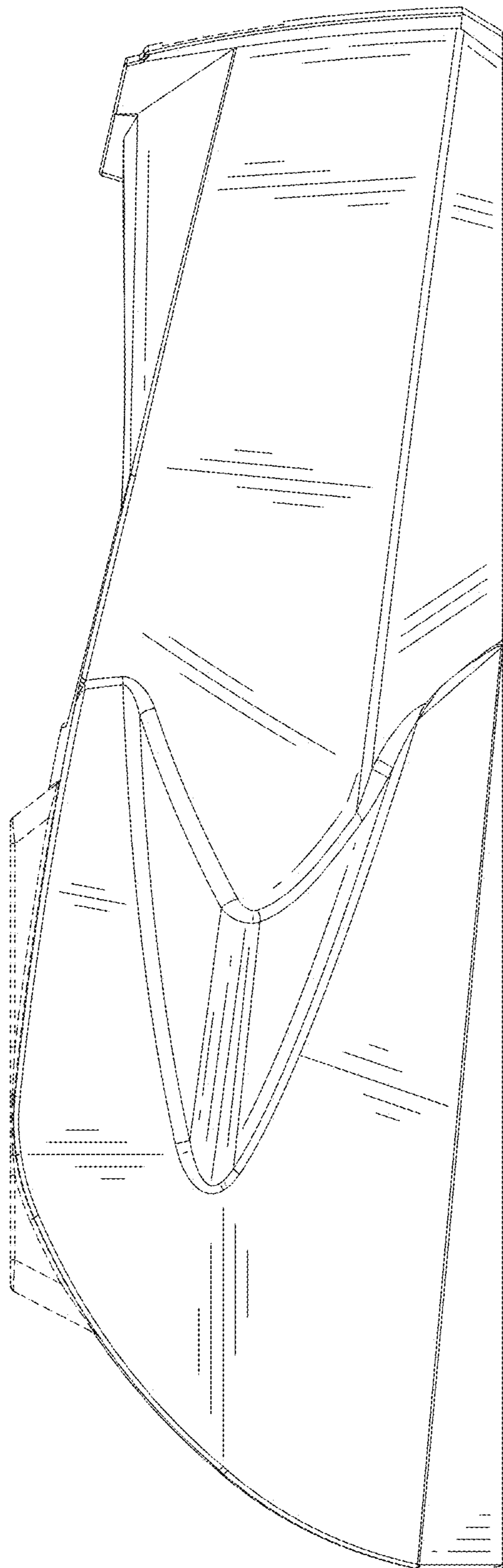


FIG. 5

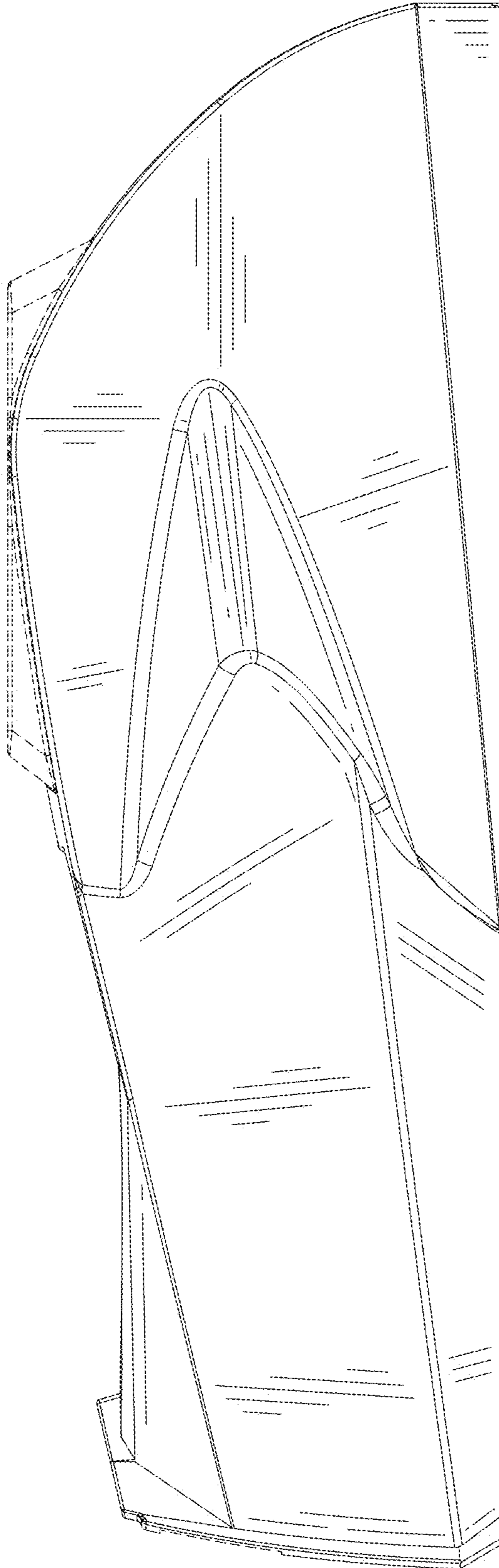


FIG. 6

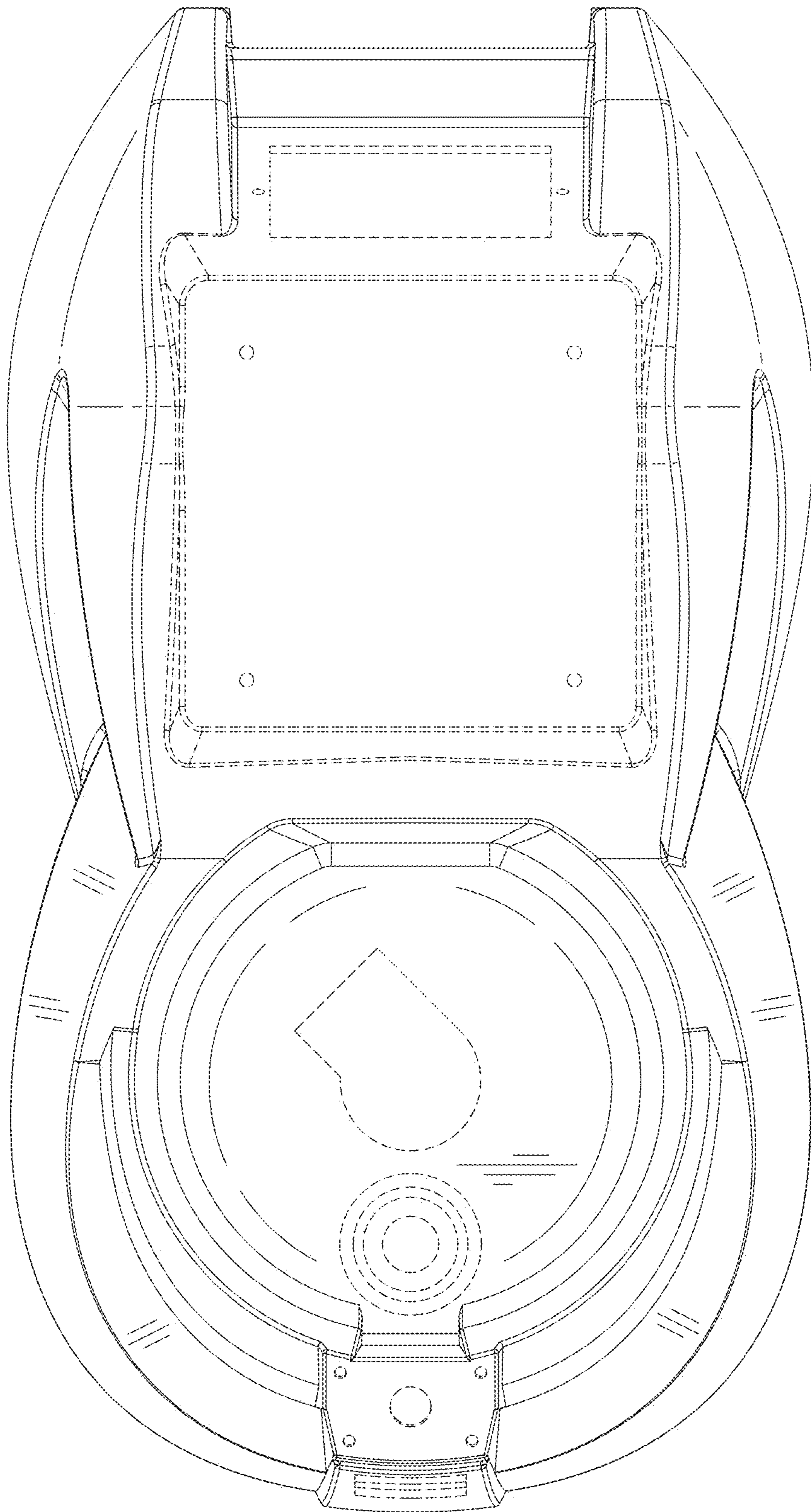


FIG. 7



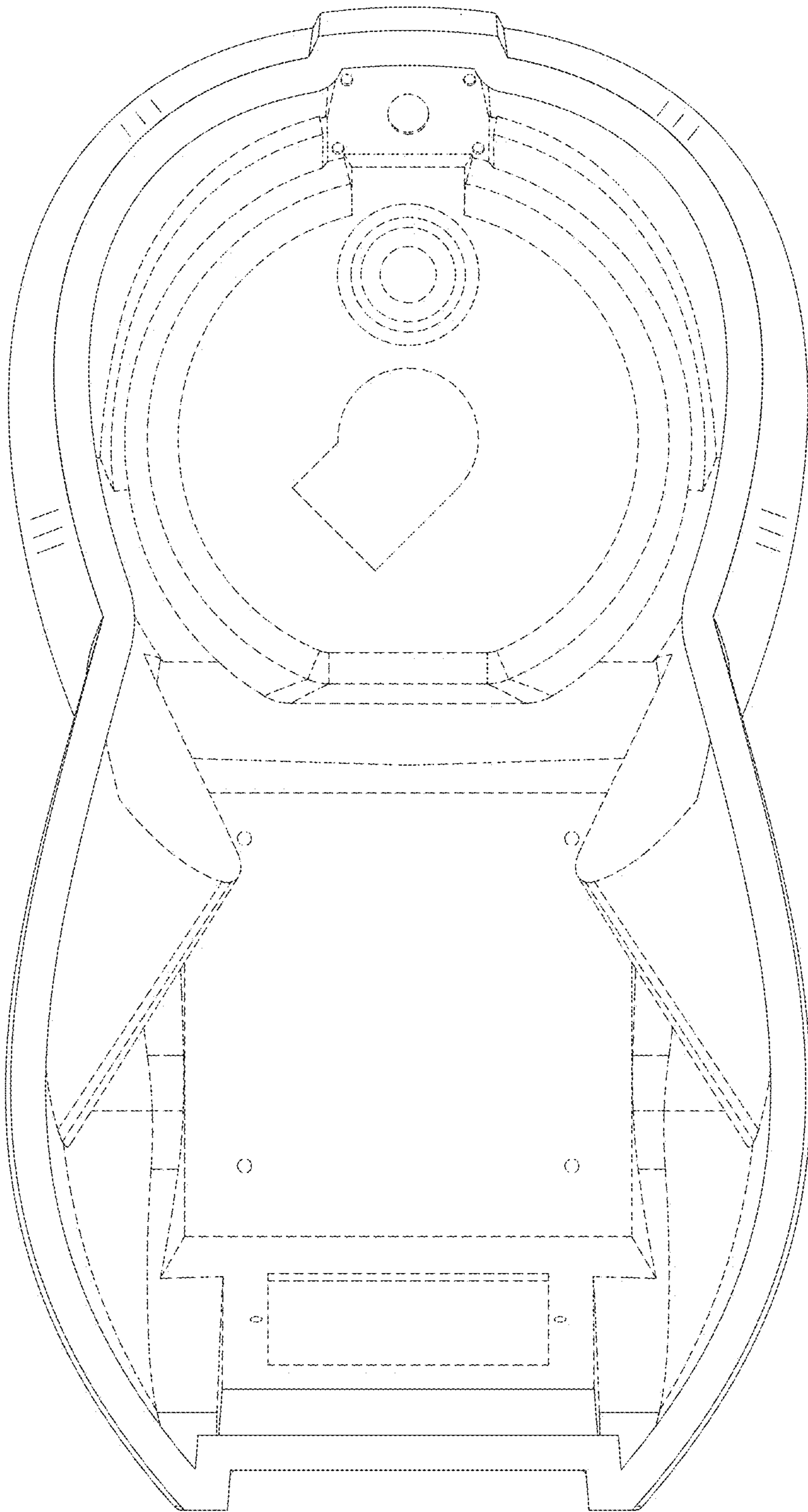


FIG. 8