



US00D907221S

(12) **United States Design Patent**  
**Hauser-Raspe et al.**

(10) **Patent No.:** **US D907,221 S**  
(45) **Date of Patent:** **\*\* Jan. 5, 2021**

(54) **NON-INVASIVE NEUROSTIMULATION DEVICE**

(71) Applicant: **Helius Medical, Inc**, Newtown, PA (US)

(72) Inventors: **Sybille Diana Hauser-Raspe**, London (GB); **Pamela Dorothy Heidt**, Cambridge (GB); **Paul James Fearis**, Holly Springs, NC (US); **Mike Andrew Vilhauer**, Cambridge (GB)

(73) Assignee: **Helius Medical, Inc**, Newtown, PA (US)

(\*\*) Term: **15 Years**

(21) Appl. No.: **29/682,001**

(22) Filed: **Feb. 28, 2019**

(51) **LOC (13) Cl.** ..... **24-02**

(52) **U.S. Cl.**  
USPC ..... **D24/200**

(58) **Field of Classification Search**  
USPC ..... D24/191, 200, 201, 206, 207, 208, D24/211-215, 111, 165, 185, 186, 182, D24/183, 184, 187, 188, 189, 190, 192; D23/314, 332, 333, 351; D3/327; D29/121.1, 101.2, 101.5, 120.1; D10/75, D10/78; D14/205, 206, 223; D2/875  
CPC ..... A61F 7/00; A61F 7/02; A61F 7/03; A61F 7/007; A61F 7/034; A61F 2013/00187; A61F 2013/00204; A61F 2013/00906; A61F 2007/0225; A61F 2007/0071; A61F 2007/0072; A61F 2007/0087; A61F 2007/0088; A61F 2007/0089; A61F 7/08; A61F 7/086; A61F 7/10; A61F 7/103; A61F 2007/0001; A61F 2007/0002; A61F 2007/003; A61F 2007/0219; A61F 2007/022; A61F 2007/023; A61F 2007/0231; A61F 2007/108; A61F 7/106; A61F 2007/0011; A61F 2007/0249; A61F

2007/0098; A61F 9/08; A61N 1/403; A61N 5/06; A61N 2005/006; A61N 2005/0659; A61N 2005/0644; A61N 1/36; A61N 1/36003; A61N 1/36014; A61N 1/0404; A61N 1/0456; A61N 1/36021; A61N 5/0613; A61N 5/0616; A61N 1/0548; A61N 1/36025; A61N 1/0476; A61B 5/6814

See application file for complete search history.

(56) **References Cited**

U.S. PATENT DOCUMENTS

D477,406	S	*	7/2003	Schroer	.....	D24/143
D504,177	S	*	4/2005	Erfan	.....	D14/205
D578,221	S	*	10/2008	Sakurai	.....	D24/187
D578,222	S	*	10/2008	Sakurai	.....	D24/187
D585,557	S	*	1/2009	Sakurai	.....	D24/187
D615,209	S	*	5/2010	Minogue	.....	D24/200
D687,018	S	*	7/2013	Afshar	.....	D14/217
D697,962	S	*	1/2014	Olsson	.....	D16/300
D711,373	S	*	8/2014	Lee	.....	D14/372

(Continued)

*Primary Examiner* — T Chase Nelson

*Assistant Examiner* — Kelly L Gross

(74) *Attorney, Agent, or Firm* — Proskauer Rose LLP

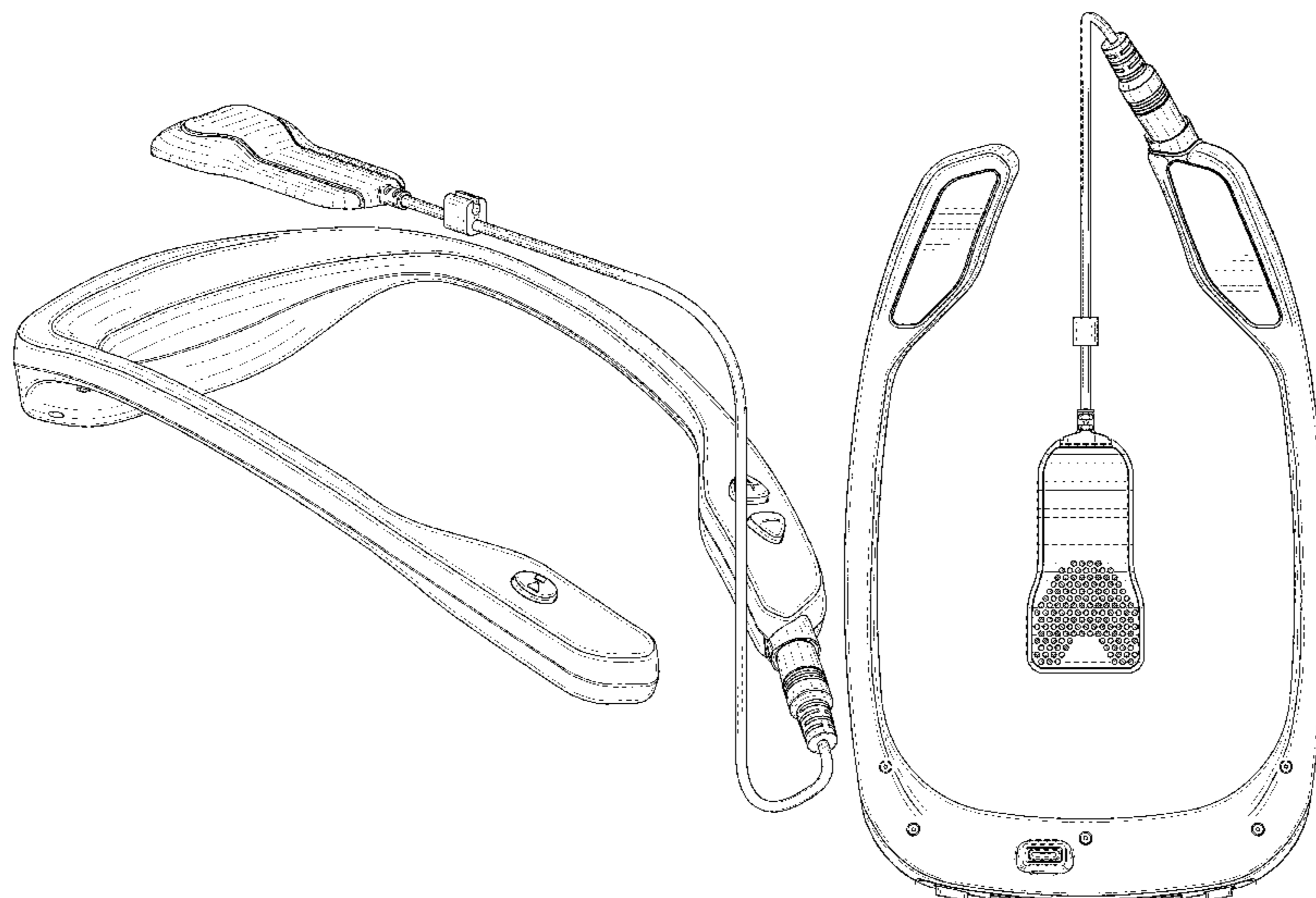
(57) **CLAIM**

The ornamental design for a non-invasive neurostimulation device, as shown and described.

**DESCRIPTION**

FIG. 1 is a front perspective view of a non-invasive neurostimulation device, showing our new design;  
FIG. 2 is a top view thereof;  
FIG. 3 is a bottom view thereof;  
FIG. 4 is a front view thereof;  
FIG. 5 is rear view thereof;  
FIG. 6 is a right side view thereof; and,  
FIG. 7 is a left side view thereof.

**1 Claim, 6 Drawing Sheets**



(56)

References Cited

U.S. PATENT DOCUMENTS

8,852,095 B2 \* 10/2014 Schlottau ..... A41D 1/002  
600/300  
D716,806 S \* 11/2014 Olsson ..... D14/372  
D719,155 S \* 12/2014 Lee ..... D14/372  
D728,109 S \* 4/2015 Ko ..... D24/186  
D728,565 S \* 5/2015 Kim ..... D14/372  
D745,166 S \* 12/2015 Chang ..... D24/167  
D747,462 S \* 1/2016 Elish ..... D24/110.5  
D747,495 S \* 1/2016 Attal ..... D24/186  
9,227,051 B1 \* 1/2016 Fisk ..... A61N 1/36067  
D749,746 S \* 2/2016 Guarraia ..... D24/200  
D750,264 S \* 2/2016 Guarraia ..... D24/200  
D750,265 S \* 2/2016 Guarraia ..... D24/200  
D750,266 S \* 2/2016 Guarraia ..... D24/200  
D750,267 S \* 2/2016 Guarraia ..... D24/200  
D750,268 S \* 2/2016 Guarraia ..... D24/200  
D750,794 S \* 3/2016 Guarraia ..... D24/200  
D751,213 S \* 3/2016 Guarraia ..... D24/200  
D751,214 S \* 3/2016 Guarraia ..... D24/200  
D751,722 S \* 3/2016 Guarraia ..... D24/200  
D752,236 S \* 3/2016 Guarraia ..... D24/200  
D752,766 S \* 3/2016 Guarraia ..... D24/200  
9,283,377 B1 \* 3/2016 Guarraia ..... A61N 1/36025  
D753,315 S \* 4/2016 Guarraia ..... D24/200  
D753,316 S \* 4/2016 Guarraia ..... D24/200  
D753,516 S \* 4/2016 Le Gall ..... D10/47  
D763,227 S \* 8/2016 Lee ..... D14/205  
D763,822 S \* 8/2016 Lee ..... D14/205  
D768,024 S \* 10/2016 Dayal ..... D11/3  
D768,600 S \* 10/2016 Chen ..... D14/205  
D770,145 S \* 11/2016 Aimone ..... D2/875  
D771,011 S \* 11/2016 Ott ..... H04R 1/1058  
D14/205  
D771,013 S \* 11/2016 Yang ..... D14/205  
D771,588 S \* 11/2016 Choe ..... D14/205

D772,539 S \* 11/2016 Aimone ..... D2/875  
D772,843 S \* 11/2016 Lee ..... D14/205  
D772,845 S \* 11/2016 Lim ..... D14/205  
D773,154 S \* 12/2016 Aimone ..... D2/875  
D776,286 S \* 1/2017 Min ..... D24/187  
D776,636 S \* 1/2017 Lim ..... D14/205  
D793,357 S \* 8/2017 Afshar ..... D14/205  
D796,051 S \* 8/2017 Ruffini ..... D24/187  
D797,296 S \* 9/2017 Dehollander ..... D24/187  
9,770,198 B2 \* 9/2017 Fujisaki ..... A61B 5/14551  
9,789,306 B2 \* 10/2017 Sabourin ..... A61N 1/36031  
D802,558 S \* 11/2017 Kim ..... D14/205  
D806,053 S \* 12/2017 Lee ..... D14/205  
9,867,571 B2 \* 1/2018 Aimone ..... A61B 5/7203  
D816,635 S \* 5/2018 Miller ..... D14/205  
9,956,405 B2 \* 5/2018 Goldwasser ..... A61M 21/02  
D821,352 S \* 6/2018 Liden ..... D14/205  
9,993,640 B2 \* 6/2018 Guarraia ..... A61N 1/0456  
D827,143 S \* 8/2018 Dayal ..... D24/187  
D832,812 S \* 11/2018 Fyrlund ..... D14/205  
D844,159 S \* 3/2019 McKeown ..... A61N 1/36031  
D24/200  
10,234,942 B2 \* 3/2019 Connor ..... A61B 5/0478  
D853,569 S \* 7/2019 Seki ..... D24/186  
D859,665 S \* 9/2019 Soulet de Brugiere ..... D24/187  
10,485,972 B2 \* 11/2019 Pal ..... A61N 1/36025  
10,639,468 B2 \* 5/2020 Cook ..... A61N 1/0456  
10,646,708 B2 \* 5/2020 Goldwasser ..... A61N 1/0492  
D886,304 S \* 6/2020 Galkina ..... A61N 1/0456  
D24/187  
D888,967 S \* 6/2020 Grundlehner ..... A61N 1/36034  
D24/187  
2016/0158536 A1 \* 6/2016 Fisk ..... A61N 1/0456  
607/134  
2016/0158563 A1 \* 6/2016 Sabourin ..... A61N 1/36034  
607/60

\* cited by examiner

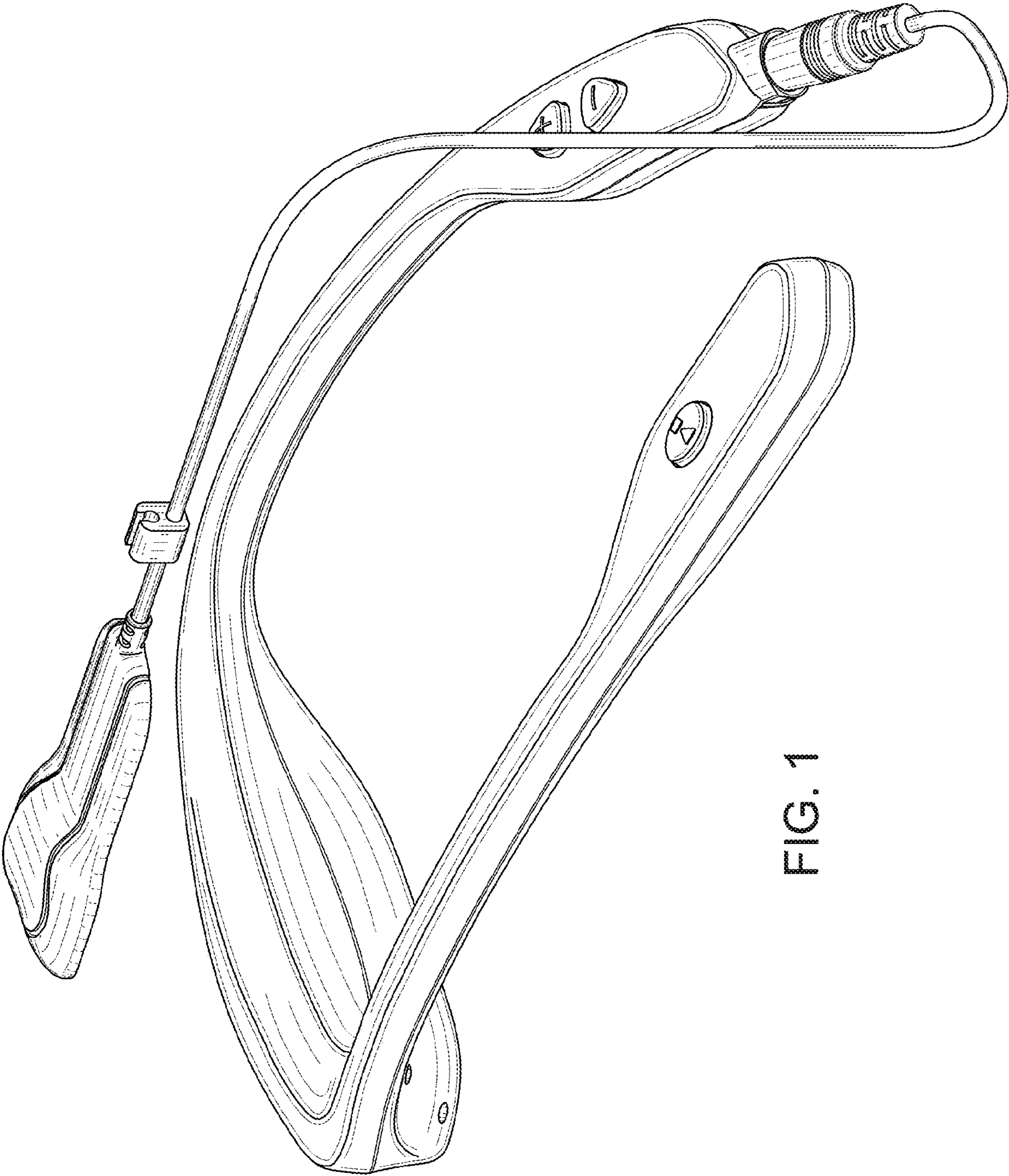


FIG. 1

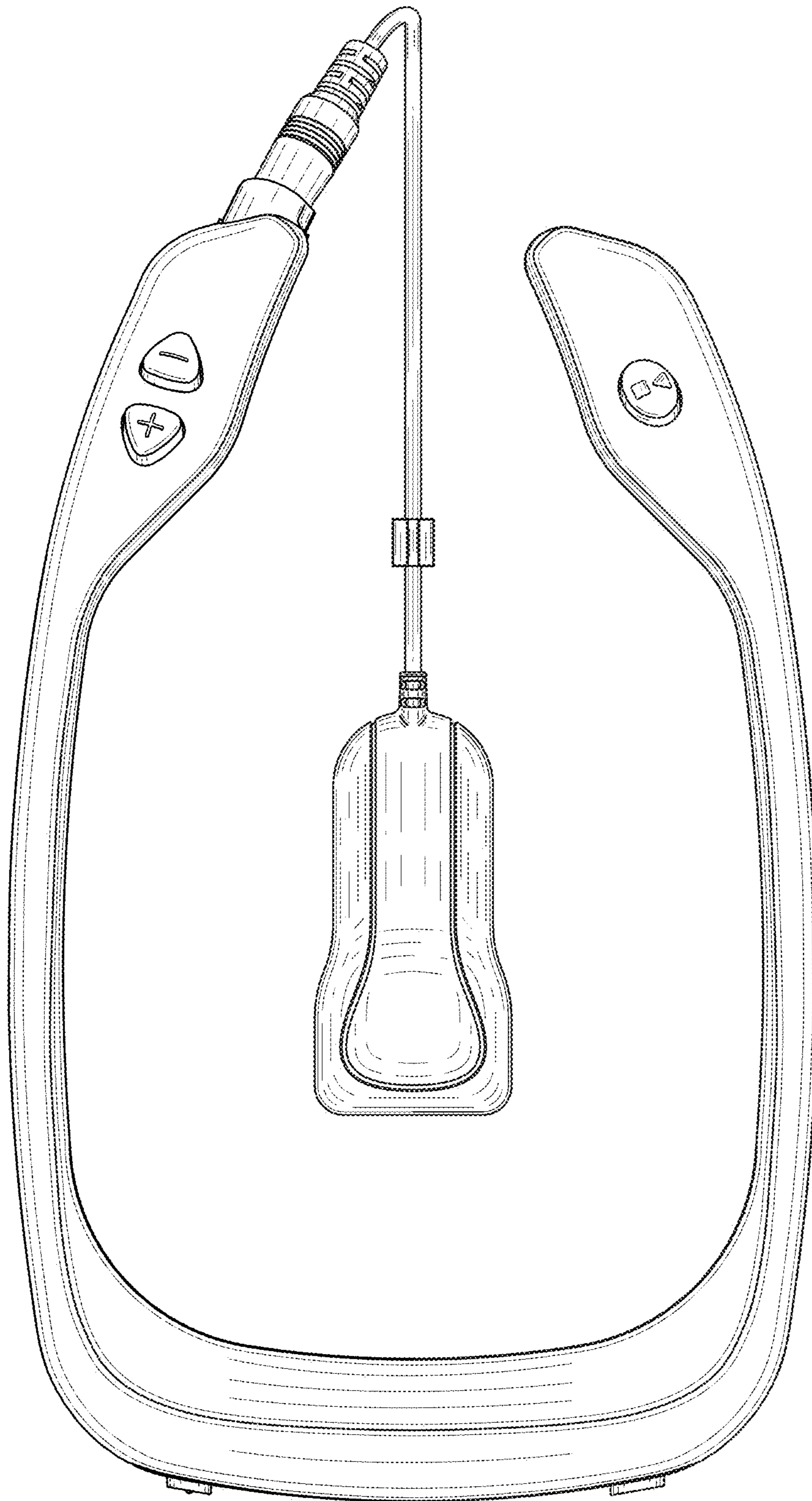


FIG. 2

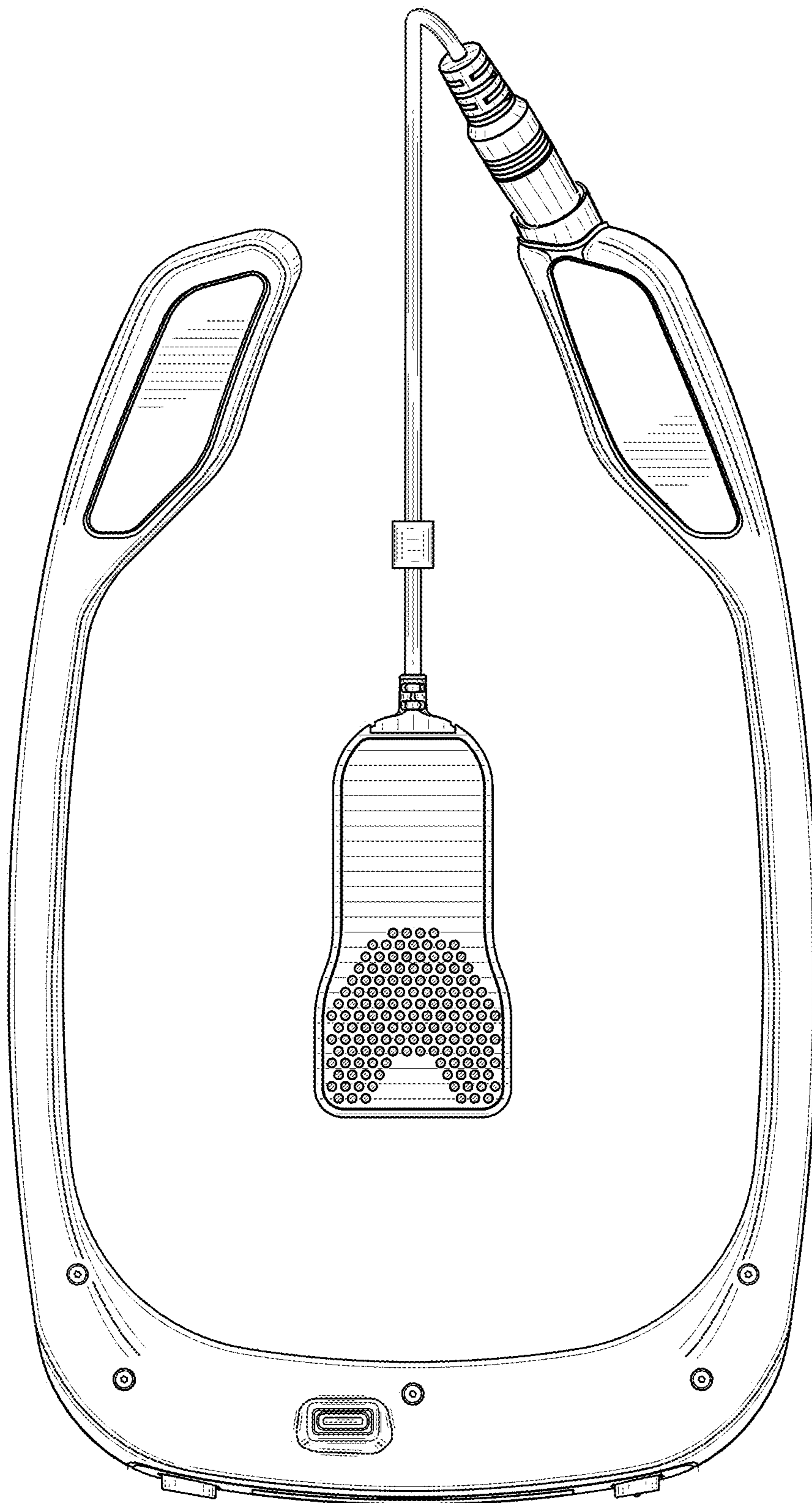


FIG. 3

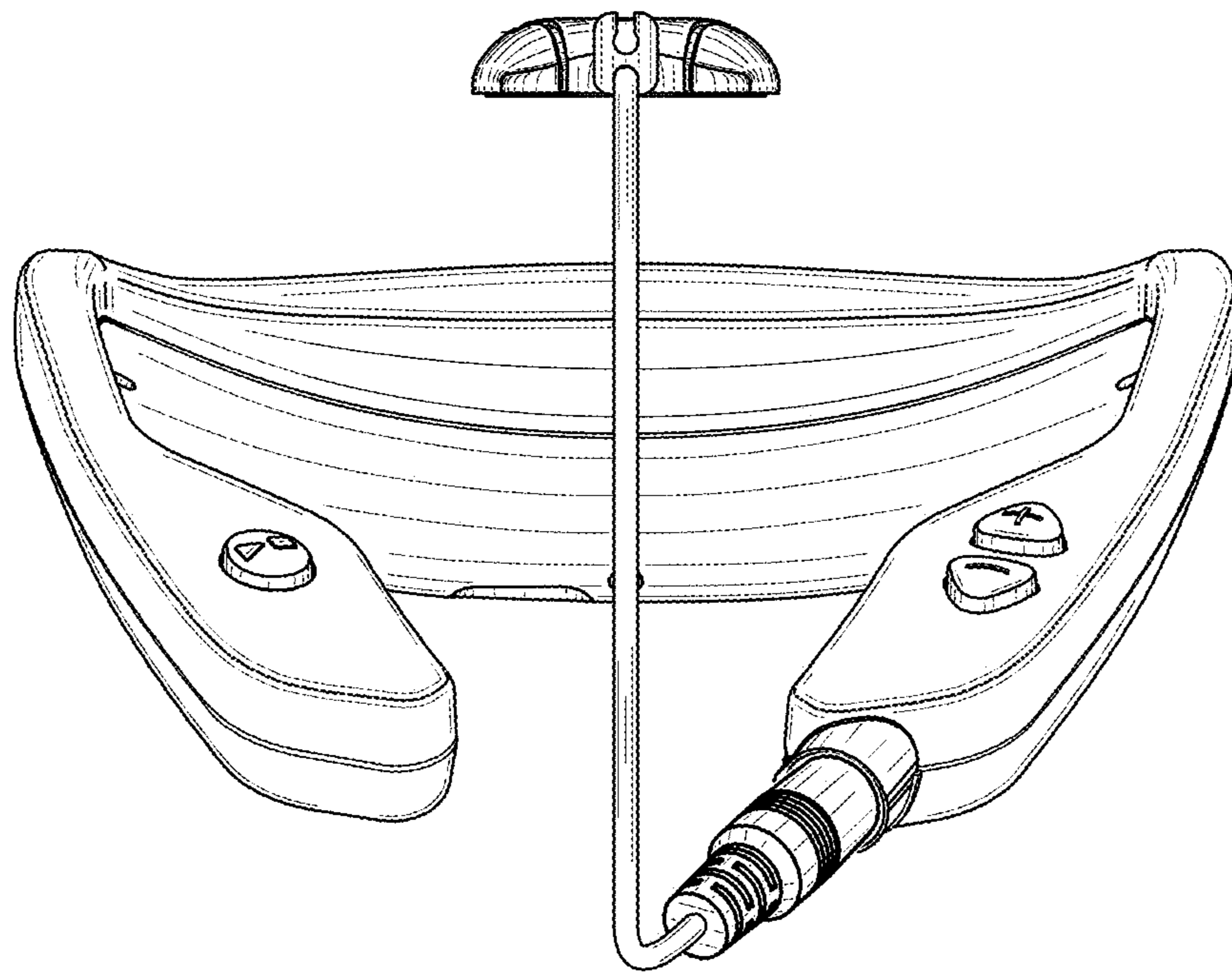


FIG. 4

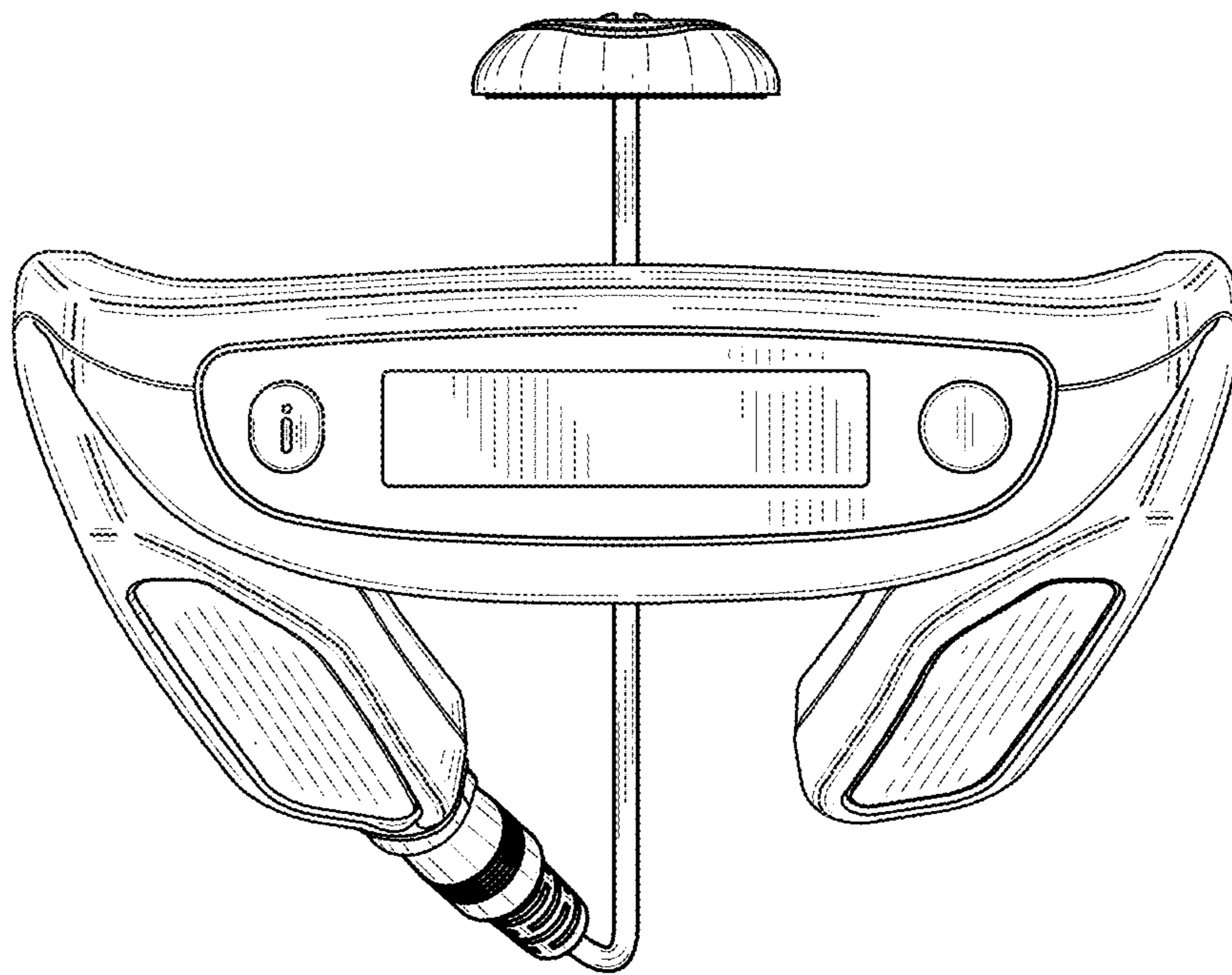


FIG. 5

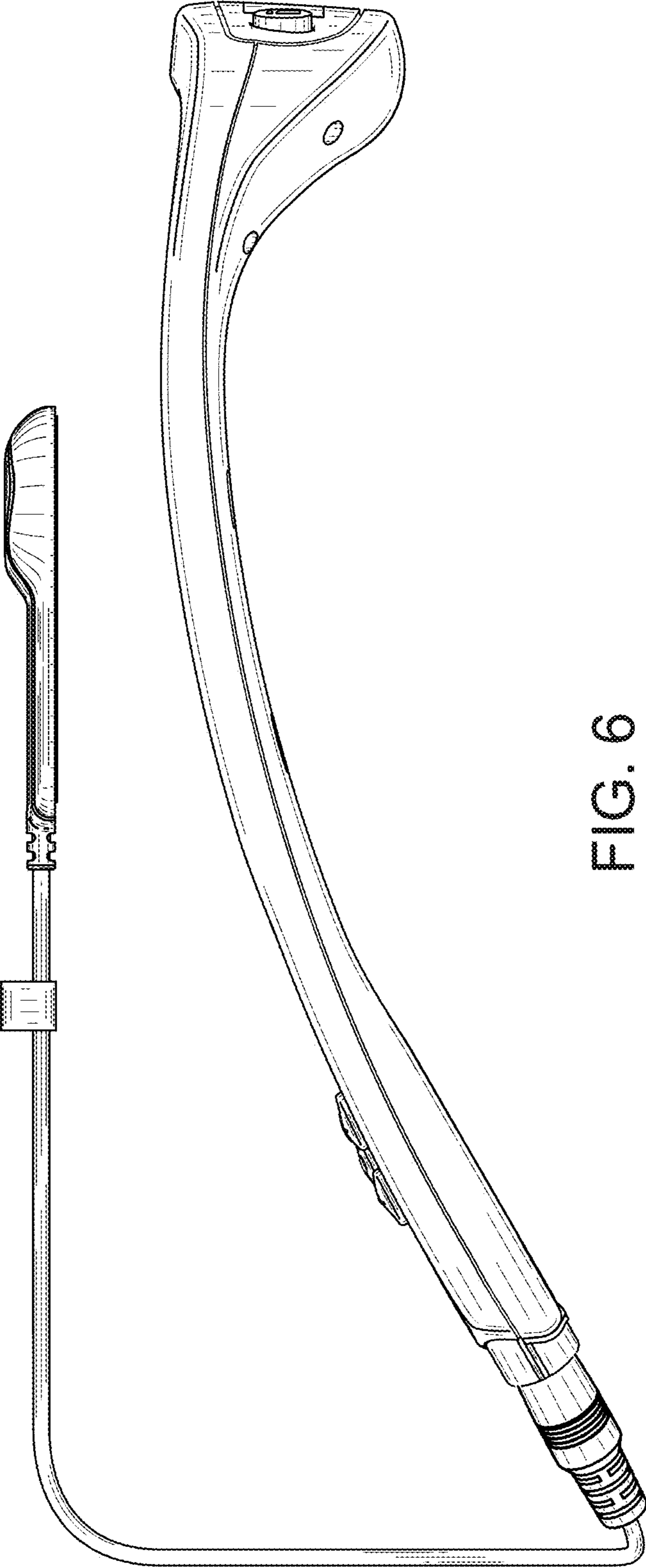


FIG. 6

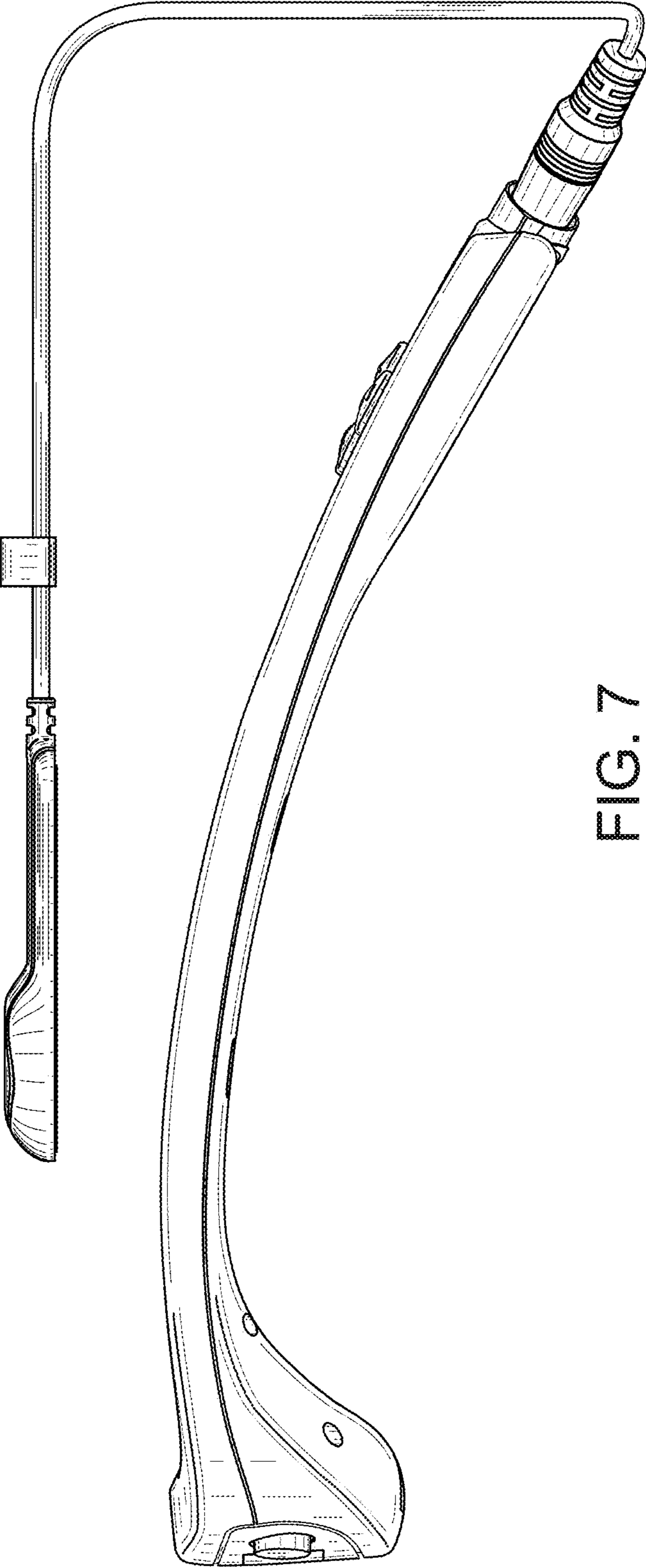


FIG. 7