



US00D907215S

(12) **United States Design Patent** (10) **Patent No.:** **US D907,215 S**
Hodgson et al. (45) **Date of Patent:** **** Jan. 5, 2021**

(54) **TERMINAL COLLARED ELECTRODE ASSEMBLY FOR A MEDICAL PROBE**

FOREIGN PATENT DOCUMENTS

(71) Applicant: **Transonic Systems Inc.**, Ithaca, NY (US)

JP D2014-19485 * 9/2014

Primary Examiner — Janice Hallmark

Assistant Examiner — Omeed Agilee

(72) Inventors: **Philip Chadwick Hodgson**, Ingersoll (CA); **Geoffrey Kim Wood**, London (CA); **Peter David Plouf**, London (CA); **Kyle Gary Fricke**, Ilderton (CA); **Morteza Heydari Araghi**, London (CA)

(74) *Attorney, Agent, or Firm* — Brian B. Shaw, Esq.; Harter Secrest & Emery LLP

(73) Assignee: **Transonic Systems Inc.**, Ithaca, NY (US)

(57) **CLAIM**

We claim the ornamental design for a terminal collared electrode assembly for a medical probe, as shown and described.

(**) Term: **15 Years**

DESCRIPTION

(21) Appl. No.: **29/662,276**

(22) Filed: **Sep. 4, 2018**

(51) **LOC (13) Cl.** **24-02**

(52) **U.S. Cl.**
USPC **D24/187**

(58) **Field of Classification Search**
USPC D24/105, 133, 135, 144, 170, 187;
D8/308, 315, 316, 318
CPC H01H 85/18
See application file for complete search history.

FIG. 1 is a perspective view of a terminal collared electrode assembly for a medical probe.

FIG. 2 is an enlarged perspective view of detail 2 circumscribed within FIG. 1.

FIG. 3 is a right side elevational view of the terminal collared electrode assembly for a medical probe of FIG. 2.

FIG. 4 is a top plan view of the terminal collared electrode assembly for a medical probe of FIG. 2.

FIG. 5 is a left side elevational view of the terminal collared electrode assembly for a medical probe of FIG. 2.

FIG. 6 is a bottom plan view of the terminal collared electrode assembly for a medical probe of FIG. 2.

FIG. 7 is an enlarged front view of the terminal collared electrode assembly for a medical probe of FIG. 2; and,

FIG. 8 is an enlarged rear view of the terminal collared electrode assembly for a medical probe of FIG. 2.

The parallel zig-zag dash lines in the drawings depict symbolic break lines. The break lines and the areas between the break lines form no part of the claimed design. The remaining broken lines illustrate portions of the terminal collared electrode assembly for a medical probe that form no part of the claimed design.

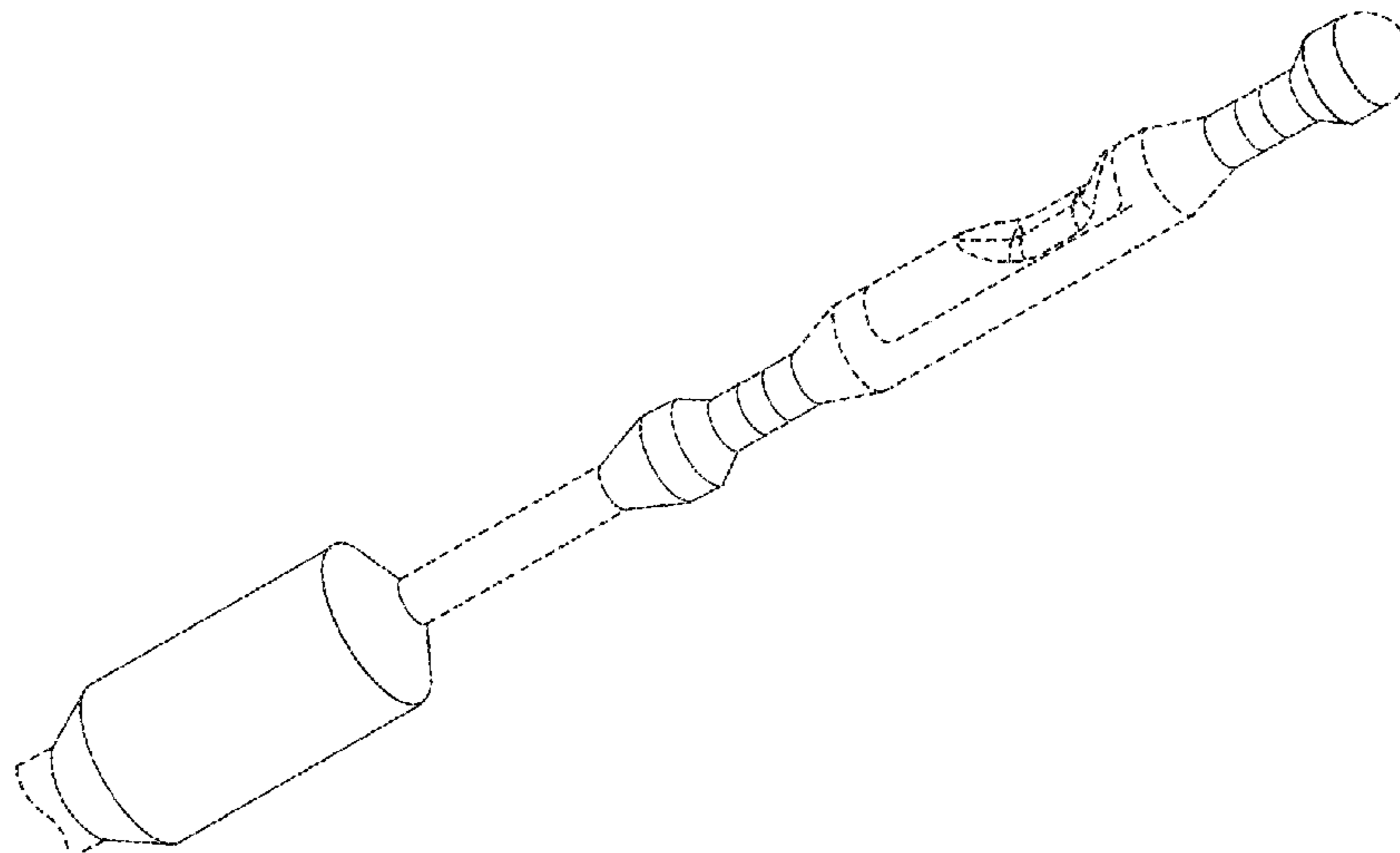
(56) **References Cited**

U.S. PATENT DOCUMENTS

| | | | | |
|--------------|---------|-----------|-------|---------|
| D143,924 S * | 2/1946 | McFadden | | D24/135 |
| D227,073 S * | 6/1973 | James | | D8/318 |
| D246,951 S * | 1/1978 | Palm, Jr. | | D8/315 |
| D371,200 S * | 6/1996 | Maurer | | D24/135 |
| D415,835 S * | 10/1999 | Malewicz | | D24/187 |
| D428,488 S * | 7/2000 | Bloch | | D21/662 |
| D437,937 S * | 2/2001 | Bottjer | | D24/144 |
| D510,139 S * | 9/2005 | Gilad | | D24/104 |
| D626,228 S * | 10/2010 | Leroy | | D24/143 |
| D642,262 S * | 7/2011 | Wagner | | D24/133 |
| D650,076 S * | 12/2011 | Dapri | | D24/133 |

(Continued)

1 Claim, 4 Drawing Sheets



(56)

References Cited

U.S. PATENT DOCUMENTS

| | | | | |
|------------|---|---------|--------------------|---------|
| D650,487 S | * | 12/2011 | Briscoe | D24/211 |
| D652,140 S | * | 1/2012 | Wagner | D24/133 |
| D652,141 S | * | 1/2012 | Wagner | D24/133 |
| D744,096 S | * | 11/2015 | van Dullemen | D24/133 |
| D749,742 S | * | 2/2016 | Ishibashi | D24/186 |
| D757,937 S | * | 5/2016 | Tsai | D24/135 |
| D788,905 S | * | 6/2017 | Ross | D24/105 |
| D827,150 S | * | 8/2018 | Nakagawa | D24/224 |

* cited by examiner

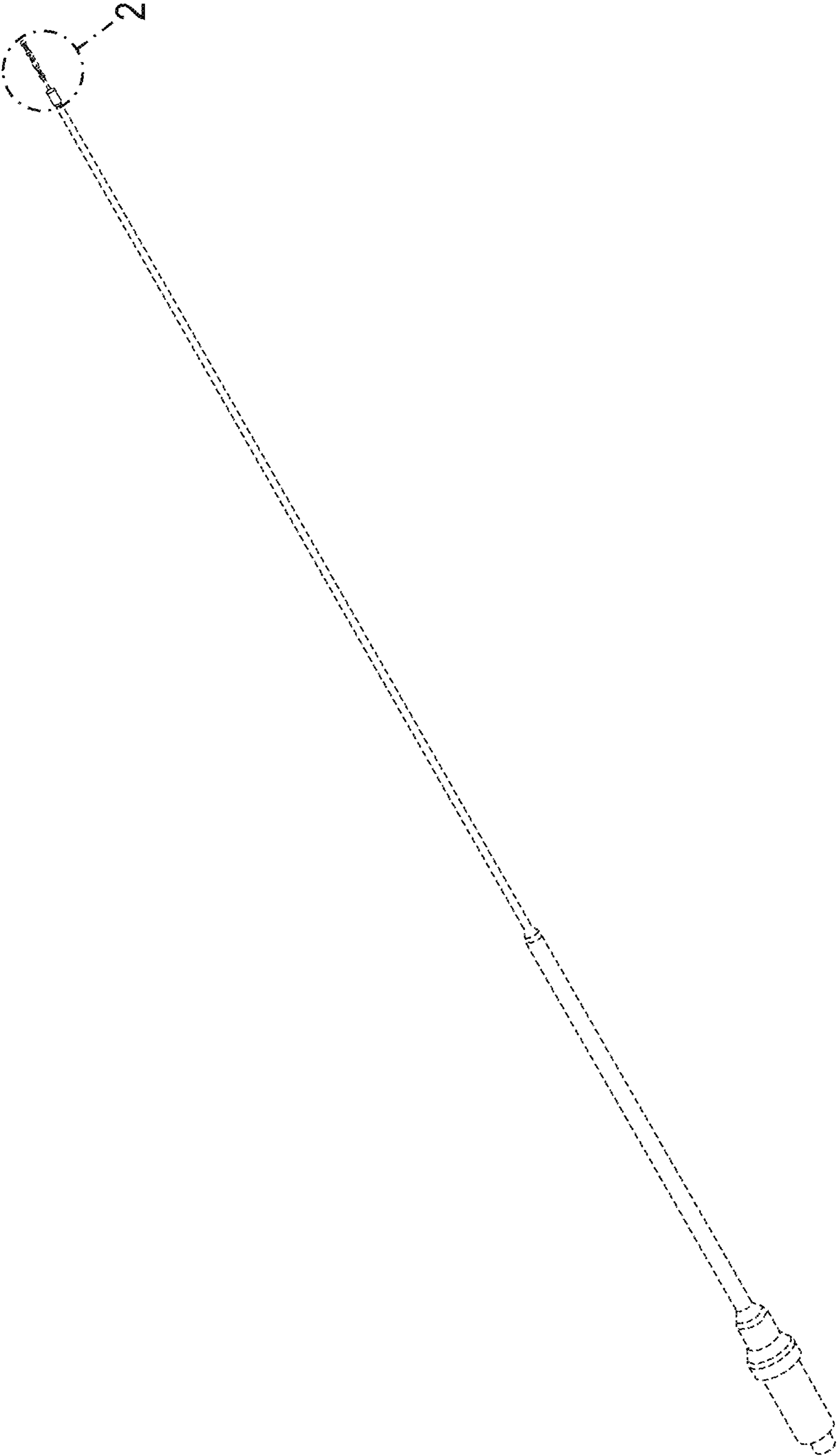


FIG. 1

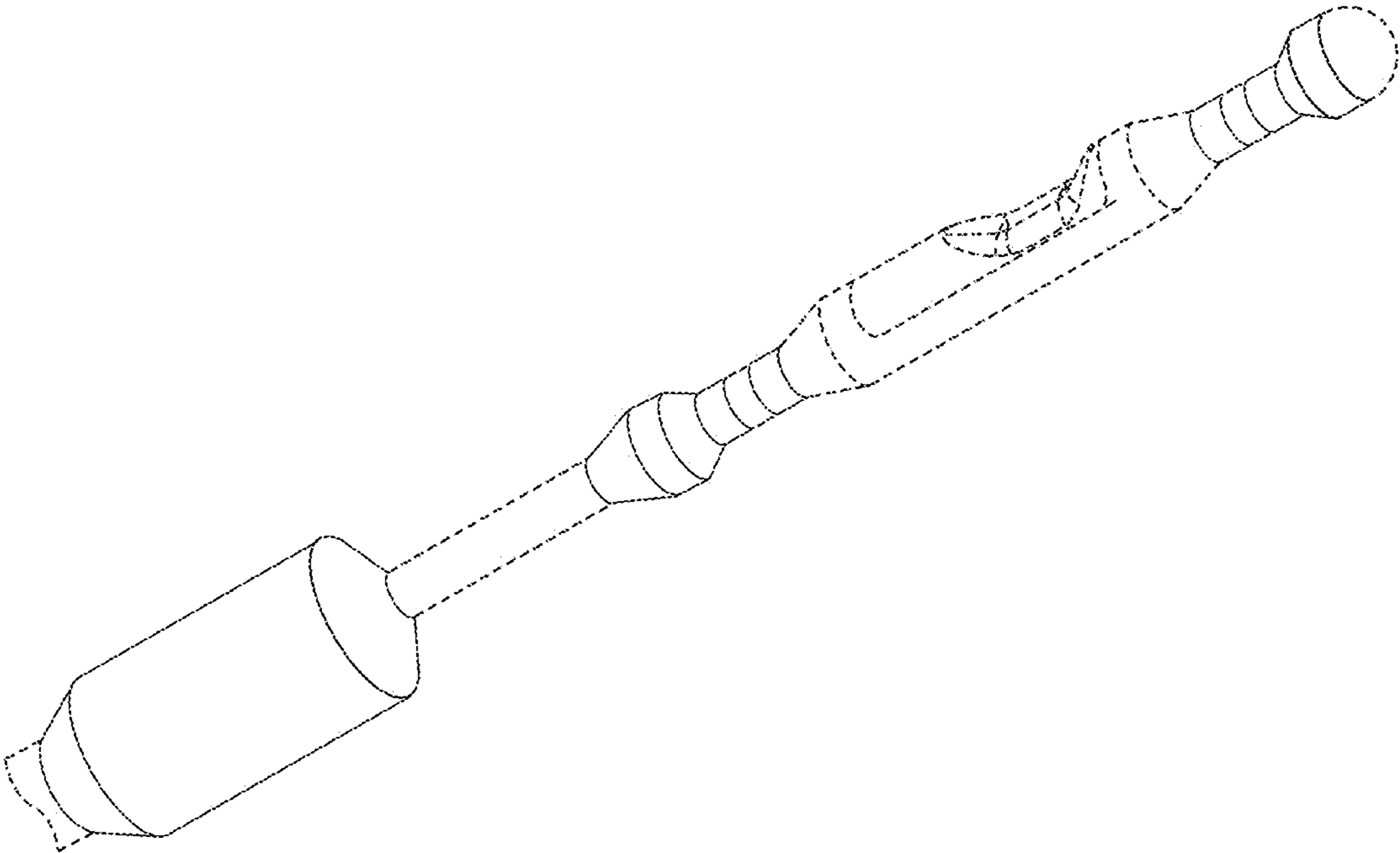


FIG. 2

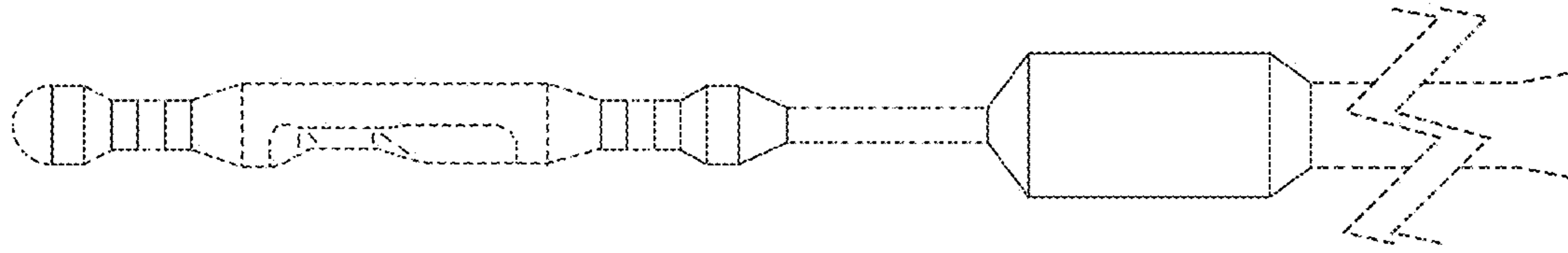


FIG. 3

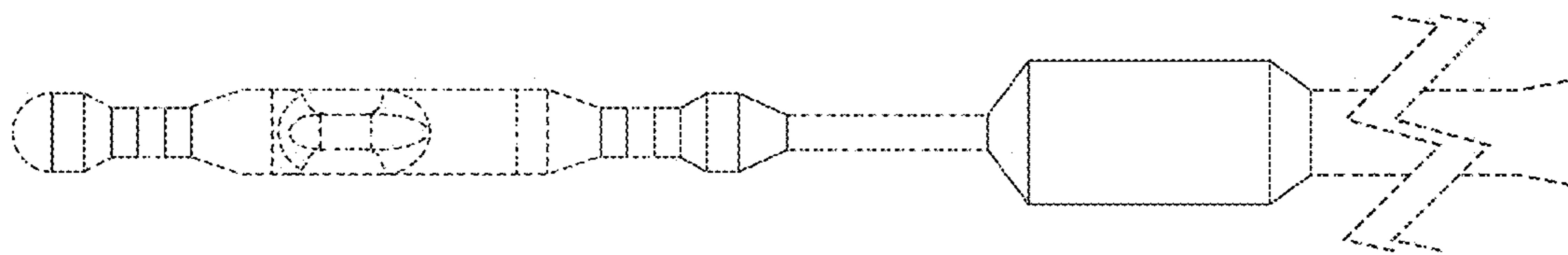


FIG. 4

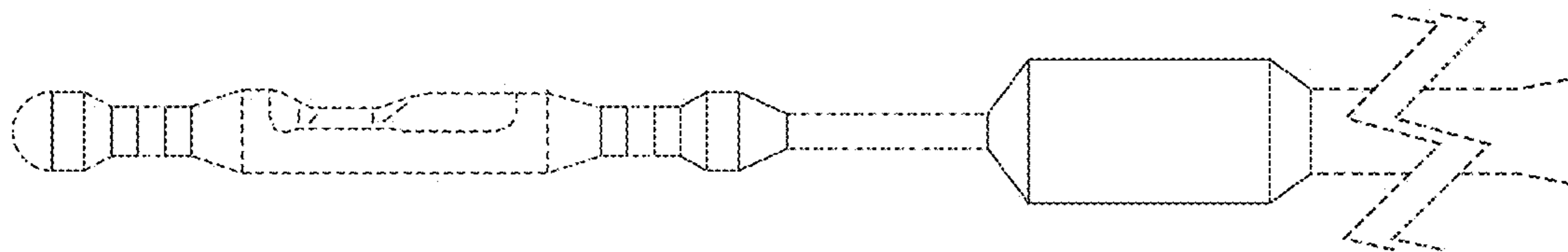


FIG. 5

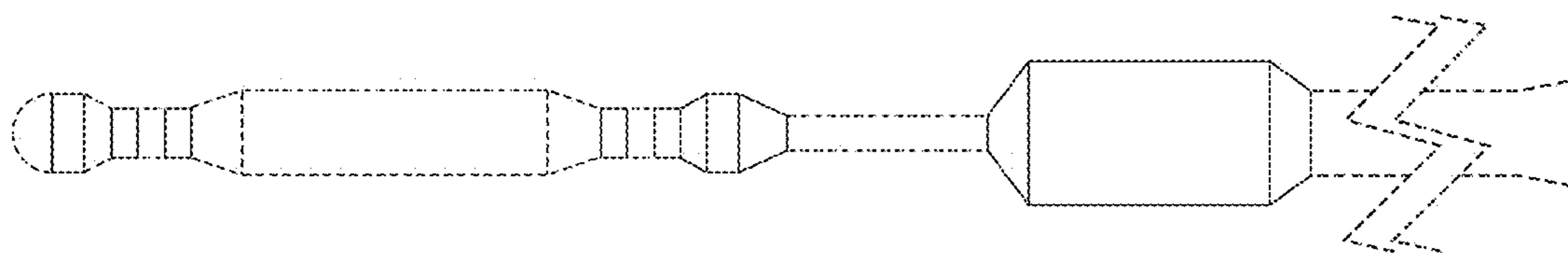


FIG. 6

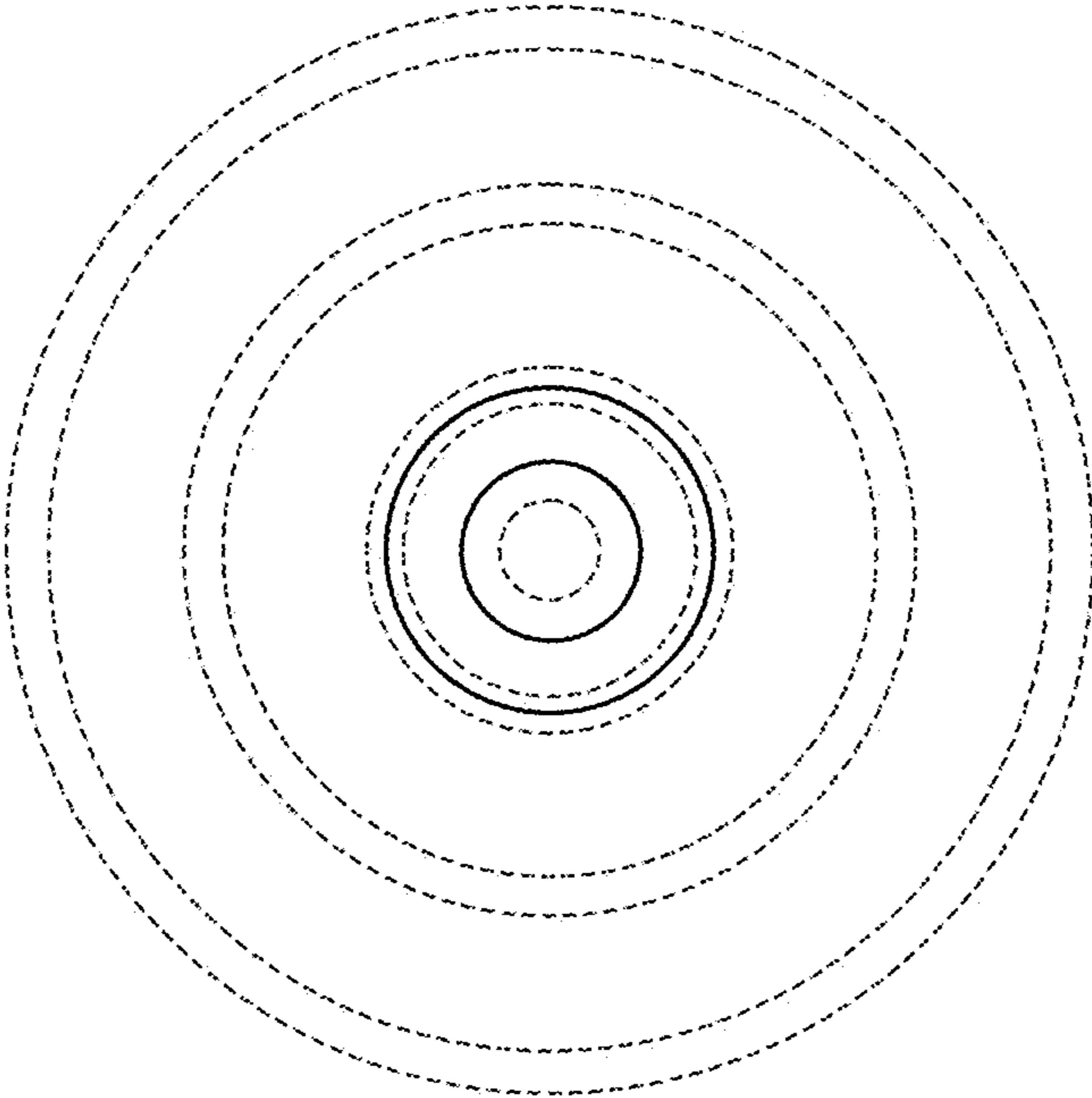


FIG. 7

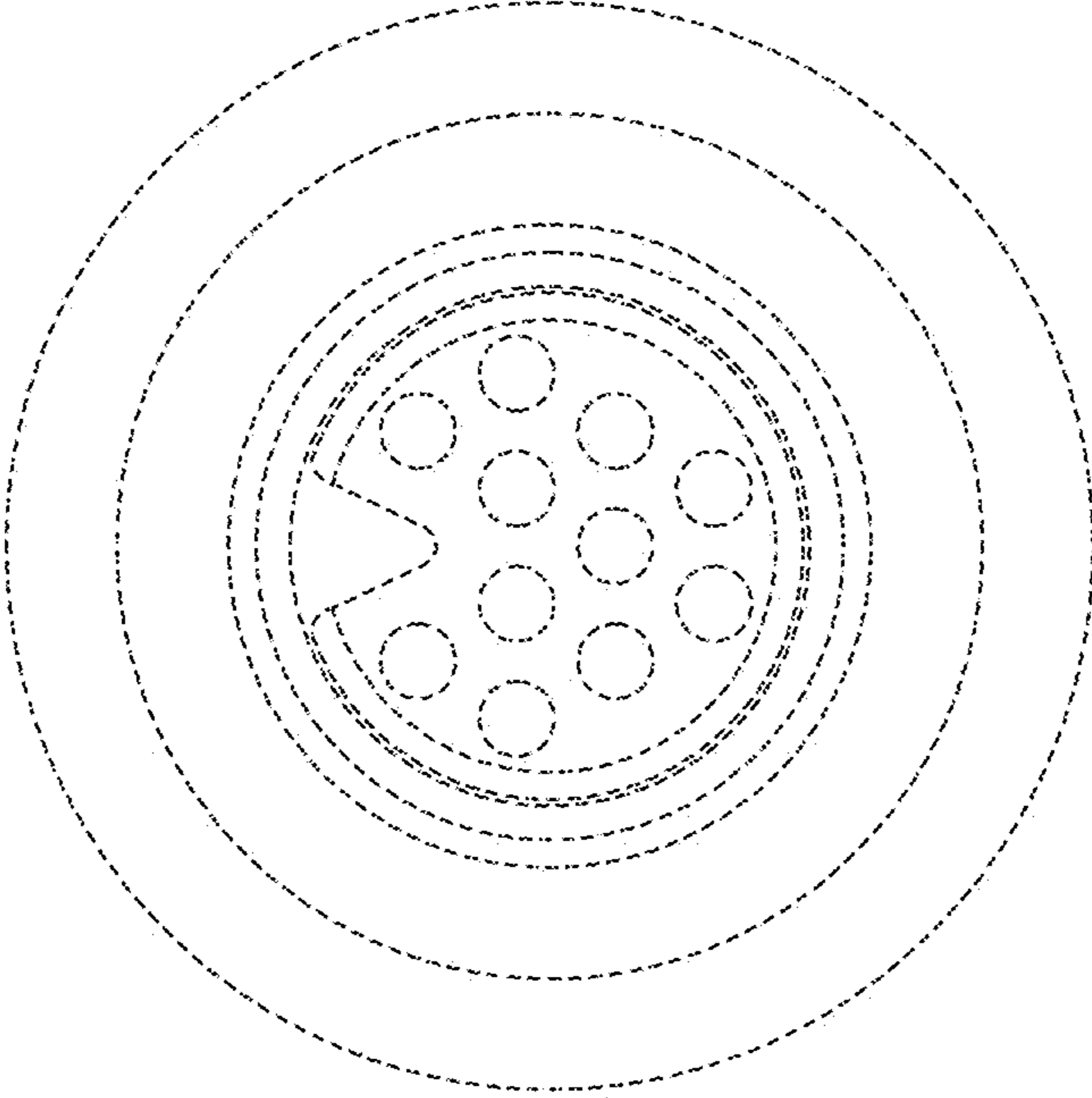


FIG. 8