

US00D907212S

(12) **United States Design Patent** (10) **Patent No.:** **US D907,212 S**
Pileski et al. (45) **Date of Patent:** **** Jan. 5, 2021**

(54) **MEDICAL DEVICE**
(71) Applicant: **Welch Allyn, Inc.**, Skaneateles Falls, NY (US)
(72) Inventors: **Michael Jay Pileski**, Skaneateles, NY (US); **Brian Patrick Perrault**, Vestal, NY (US); **Michael T. McMahon**, Syracuse, NY (US); **Elizabeth Pearl Quill**, Skaneateles, NY (US); **Alan Knieriem**, Baldwinsville, NY (US); **Christopher Long**, Chittenango, NY (US)

(73) Assignee: **WELCH ALLYN, INC.**, Skaneateles Falls, NY (US)

(**) Term: **15 Years**

(21) Appl. No.: **29/698,962**

(22) Filed: **Jul. 22, 2019**

(51) **LOC (13) Cl.** **24-02**

(52) **U.S. Cl.**
USPC **D24/186**

(58) **Field of Classification Search**
USPC D24/107, 165–169, 185–187; D10/46, D10/70, 98; D14/307, 336, 371
CPC ... A61B 5/742; A61B 5/14551; A61B 5/0205; A61B 5/02055; A61B 5/02405; A61B 5/02411; A61B 5/02438; A61B 5/02427; A61B 2560/0406; A61B 2560/0443; A61B 2560/0431; A61B 2560/045; A61B 2560/0456; A61B 2560/0487
See application file for complete search history.

(56) **References Cited**

U.S. PATENT DOCUMENTS

D414,870 S * 10/1999 Saltzstein D24/186
D460,559 S * 7/2002 Knieriem D24/186
D535,031 S * 1/2007 Barrett D24/186
D536,795 S * 2/2007 Knieriem D24/186

D592,754 S * 5/2009 Koike D24/186
D635,681 S * 4/2011 Edwards D24/186
D759,254 S * 6/2016 Knieriem D24/186
D822,217 S * 7/2018 Sebban D24/186
D835,100 S * 12/2018 Zhan D14/371
D895,123 S * 9/2020 He D24/186
2008/0221399 A1 * 9/2008 Zhou A61B 5/021
600/301

(Continued)

OTHER PUBLICATIONS

“Connex ProBp 3400 Digital Blood Pressure Device” [online] [retrieved Jul. 3, 2019], retrieved from the Internet, <www.welchallyn.com/en/products/categories/blood-pressure-measurement/digital-blood-pressure-devices/connex-probp-3400-digital-blood-pressure-device.html> dated (Jul. 3, 2019).

(Continued)

Primary Examiner — Anhdao Doan
(74) *Attorney, Agent, or Firm* — Alston & Bird LLP

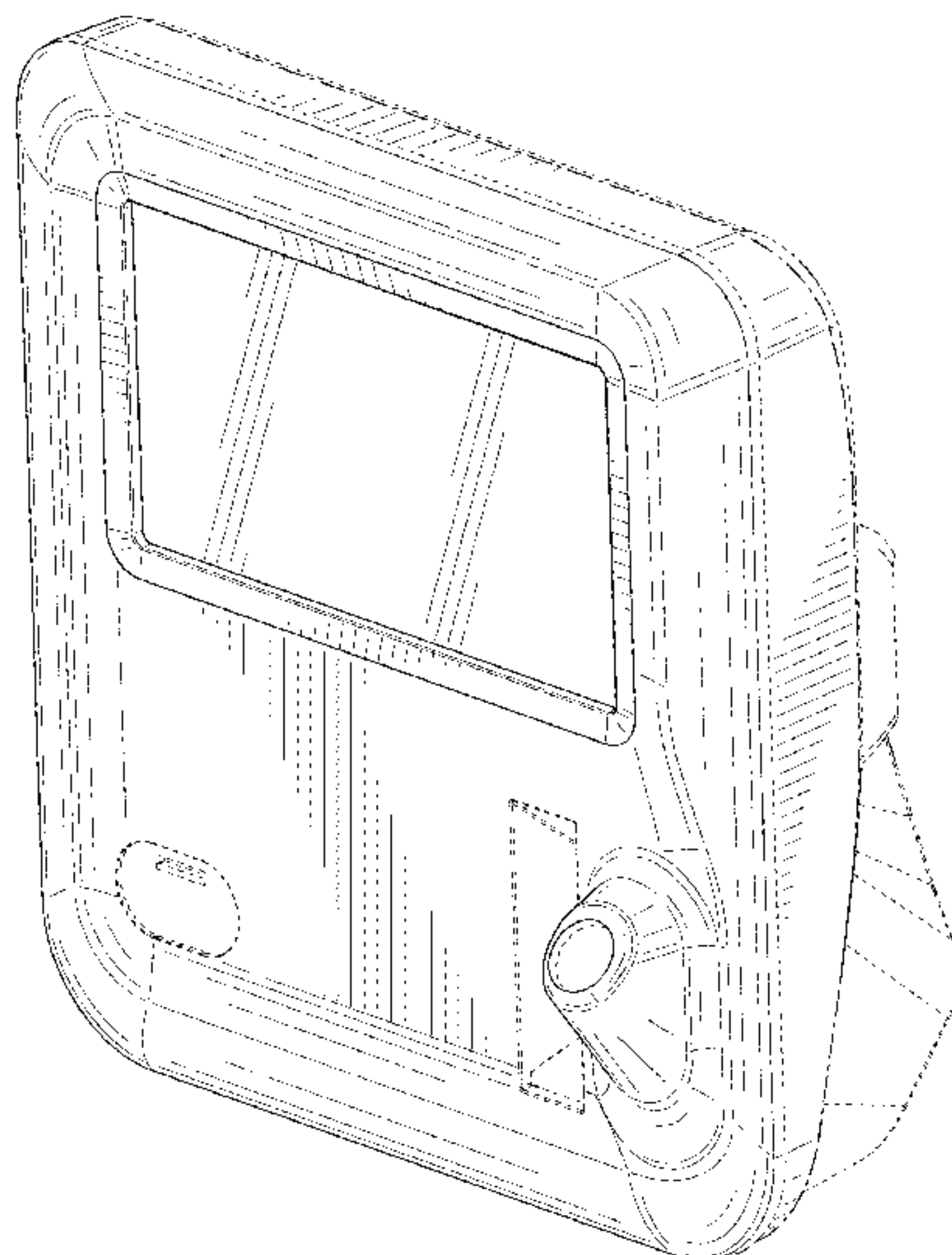
(57) **CLAIM**

We claim the ornamental design for a medical device, as shown and described.

DESCRIPTION

FIG. 1 is a perspective view of a medical device showing our new design;
FIG. 2 is another perspective view thereof;
FIG. 3 is a front elevation view thereof;
FIG. 4 is a rear elevation view thereof;
FIG. 5 is a right side elevation view thereof;
FIG. 6 is a left side elevation view thereof;
FIG. 7 is a top plan view thereof; and,
FIG. 8 is a bottom plan view thereof.
The dash-dot-dash broken lines and the dash-dash broken lines immediately adjacent to the shaded areas represent the bounds of the claim, and the remaining broken lines represent environment; none of the broken lines form a part of the claimed design.

1 Claim, 7 Drawing Sheets



(56)

References Cited

U.S. PATENT DOCUMENTS

2008/0281168 A1* 11/2008 Gibson A61B 5/0205
600/301
2015/0133742 A1* 5/2015 Lane A61B 5/021
600/301

OTHER PUBLICATIONS

“Connex Spot Monitor” [online] [retrieved Jul. 3, 2019], retrieved from the Internet, <www.welchallyn.com/en/products/categories/patient-monitoring/vital-signs-devices/spot-vital-signs-devices/connex-spot-monitor.html> dated (Jul. 3, 2019).

“Connex Vital Signs Monitor” [online] [retrieved Jul. 3, 2019], retrieved from the Internet, <www.welchallyn.com/en/products/categories/patient-monitoring/vital-signs-devices/spot-vital-signs-devices/connex-vital-signs-monitor.html> dated (Jul. 3, 2019).

“ProBp 2400 Digital Blood Pressure Device” [online] [retrieved Jul. 3, 2019], retrieved from the Internet, <www.welchallyn.com/en/products/categories/blood-pressure-measurement/digital-blood-pressure-devices/prbp-2400-digital-blood-pressure-device.html> dated (Jul. 3, 2019).

“Spot Vital Signs Device” [online] [retrieved Jul. 3, 2019], retrieved from the Internet, <www.welchallyn.com/en/products/categories/patient-monitoring/vital-signs-devices/spot-vital-signs-device.html> dated (Jul. 3, 2019).

“Spot Vital Signs LXI Device” [online] [retrieved Jul. 3, 2019], retrieved from the Internet, <www.welchallyn.com/en/products/categories/discounted-products-patient-monitoring/vital-signs-ixi=device.html> dated (Jul. 3, 2019).

* cited by examiner

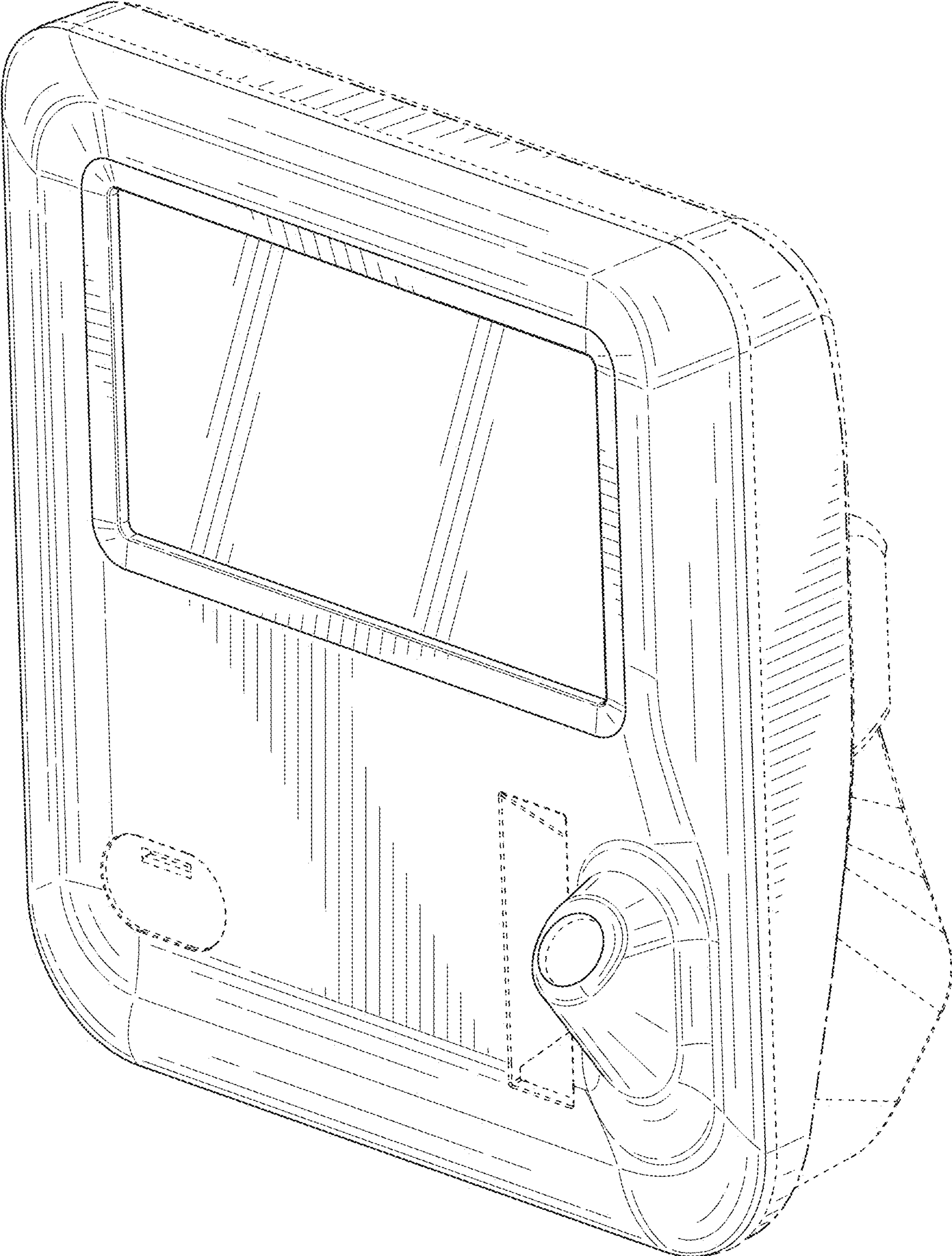


FIG. 1

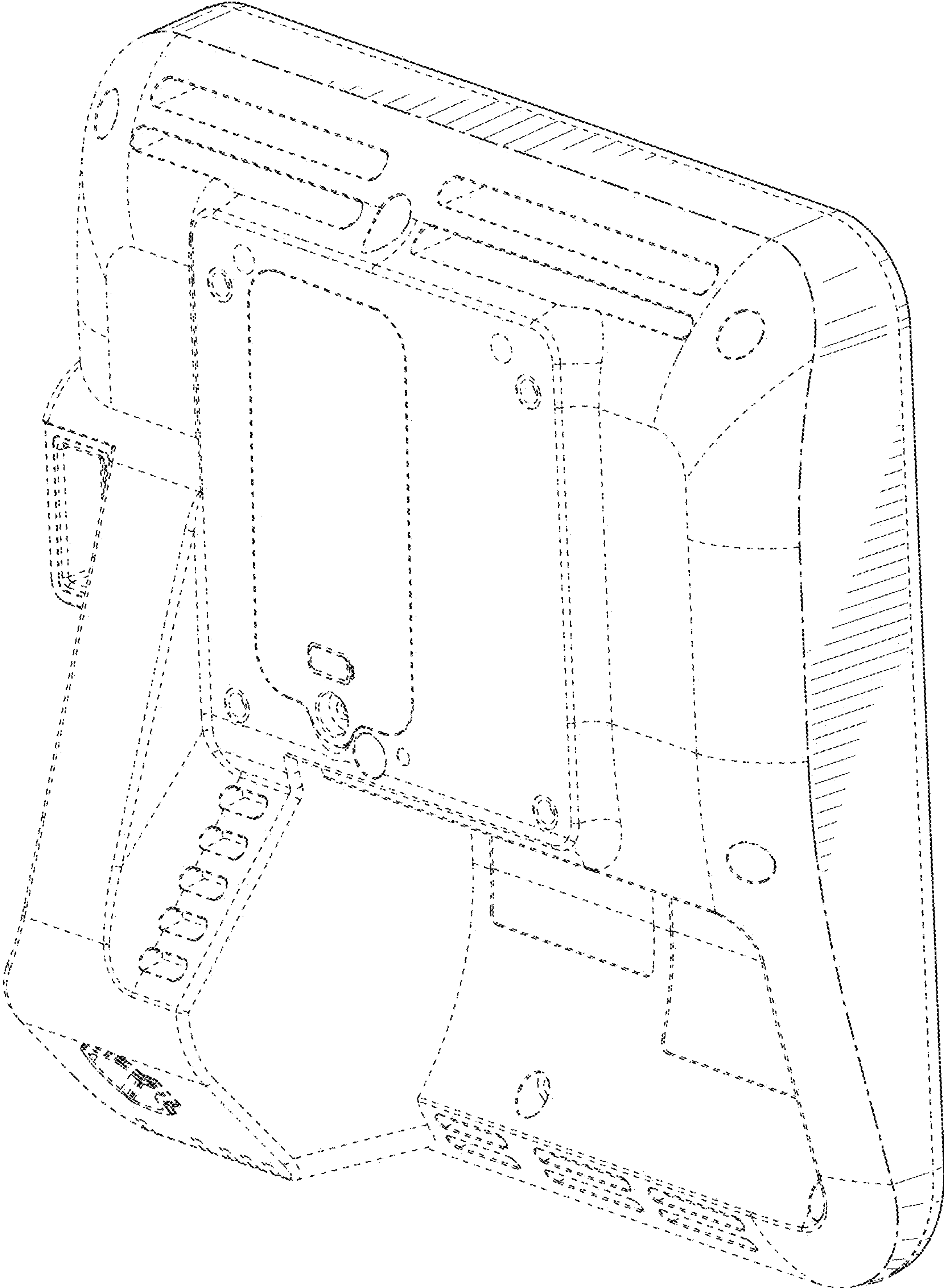


FIG. 2

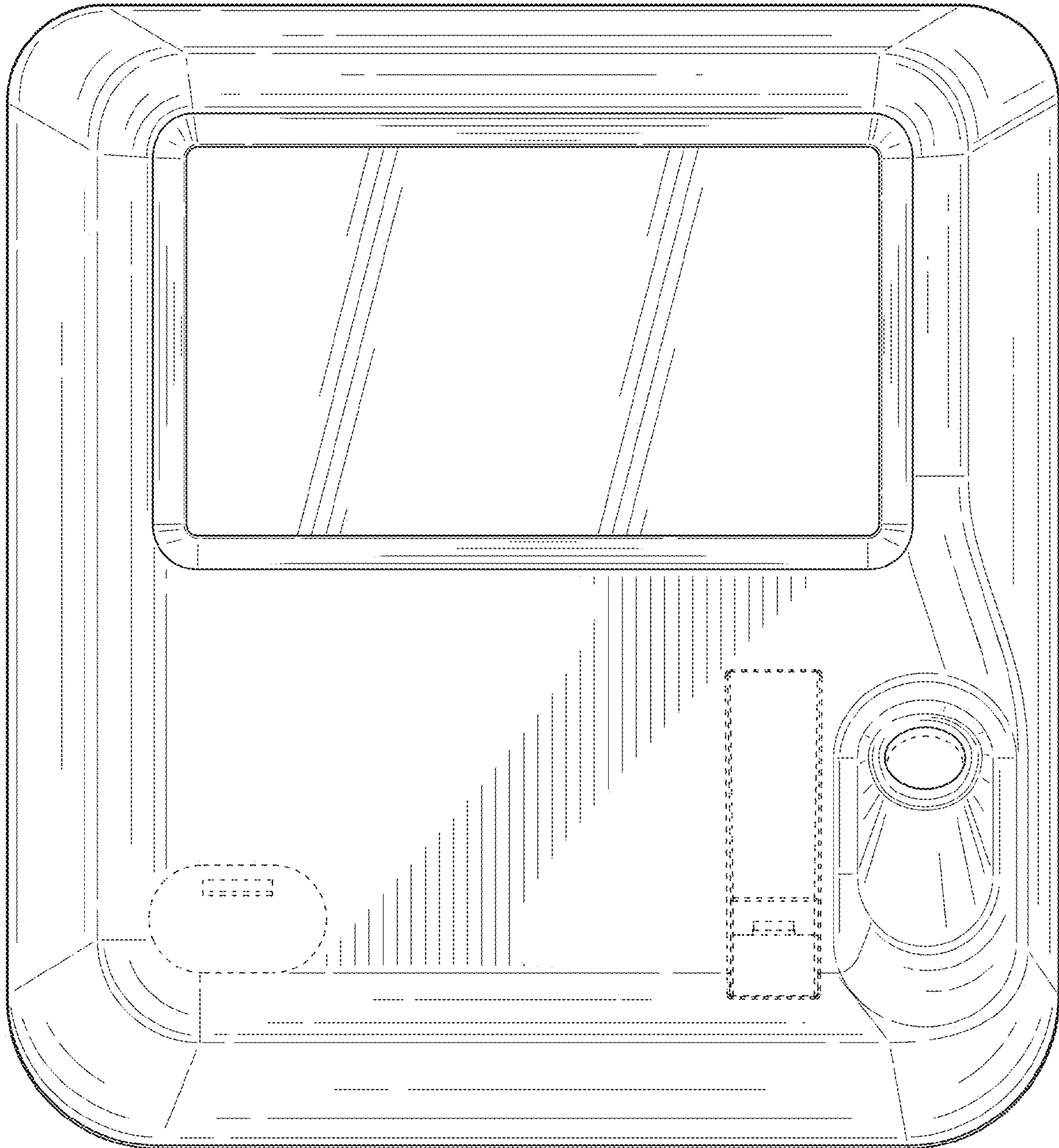


FIG. 3

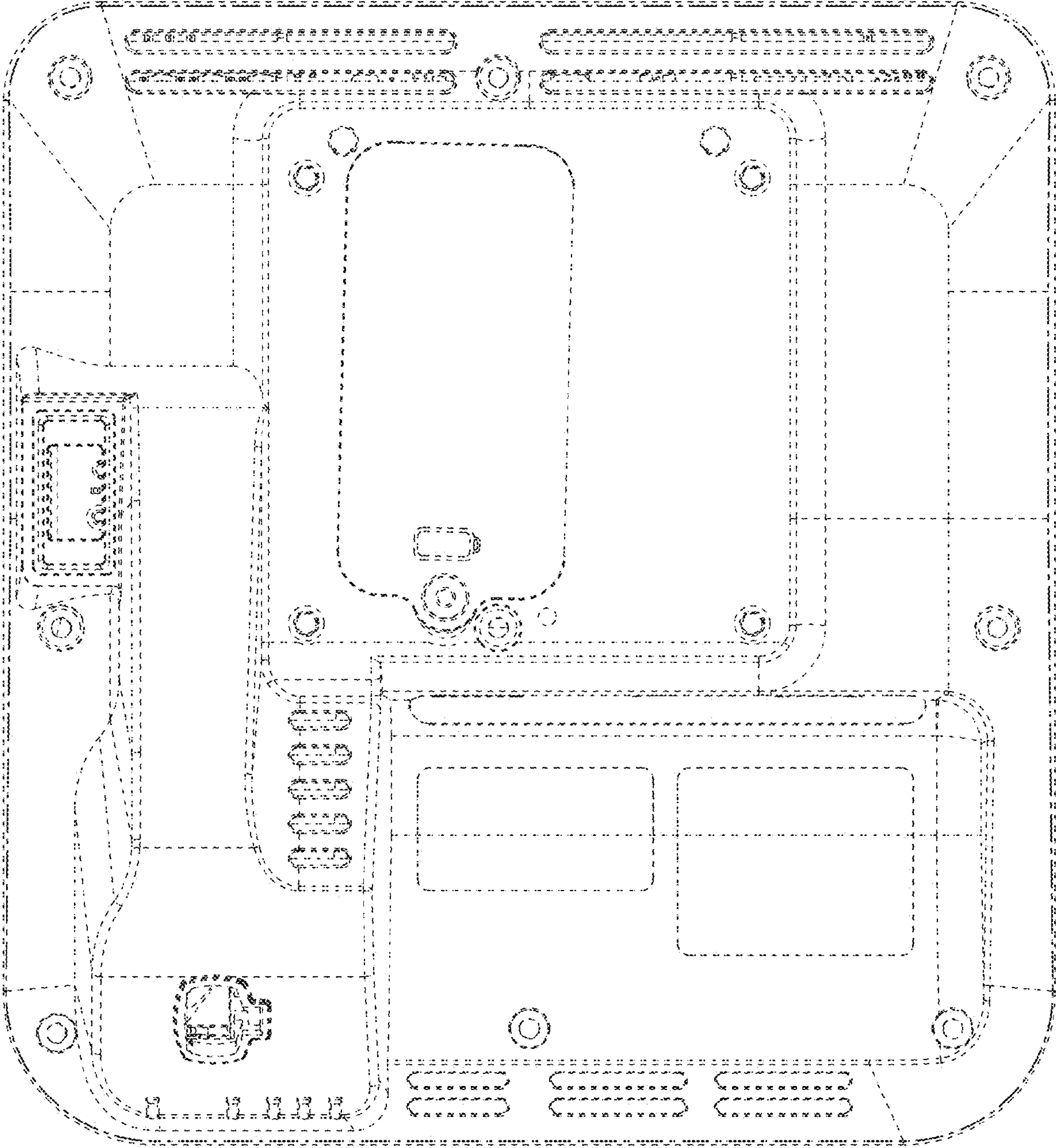


FIG. 4

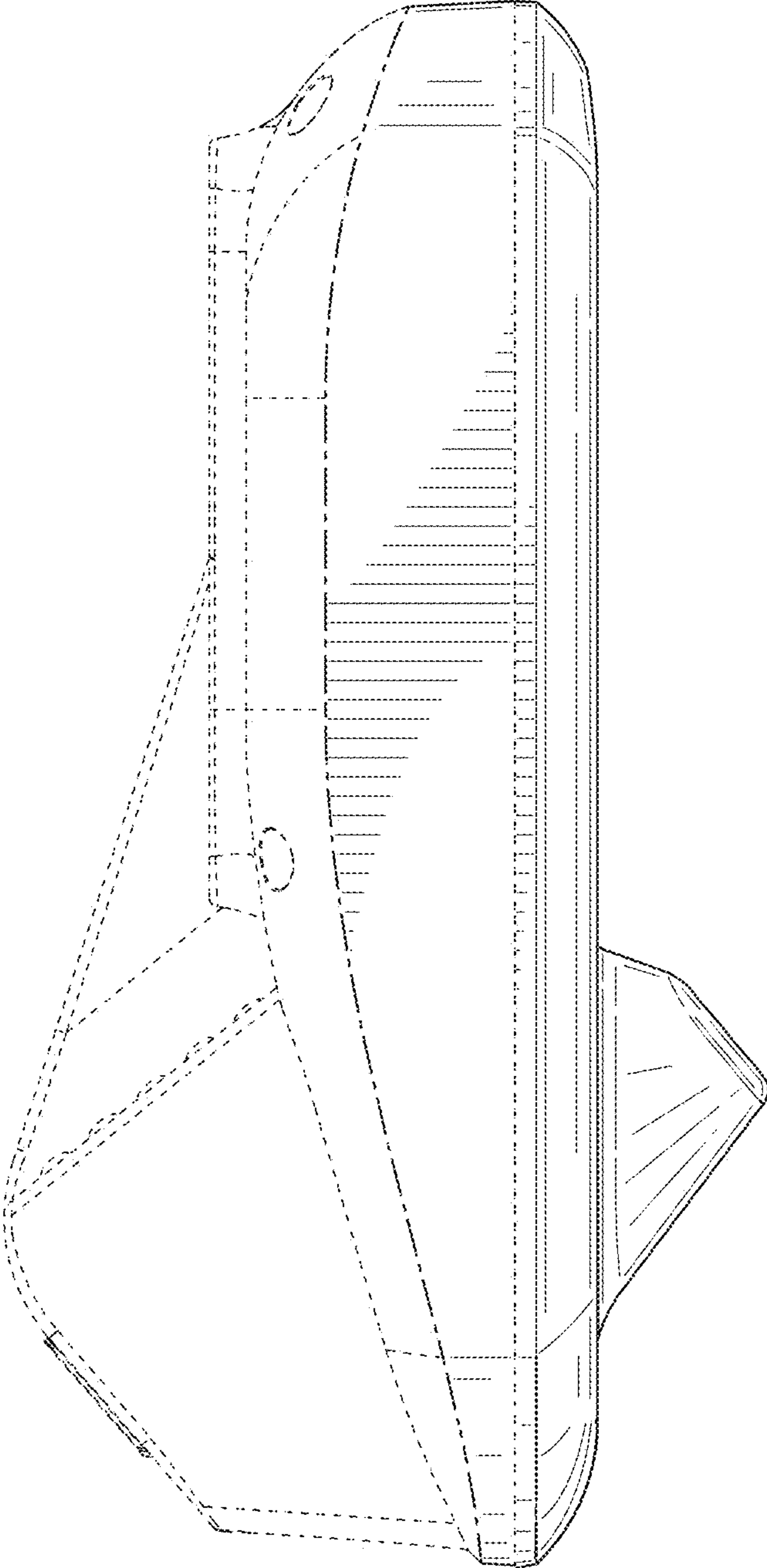


FIG. 5

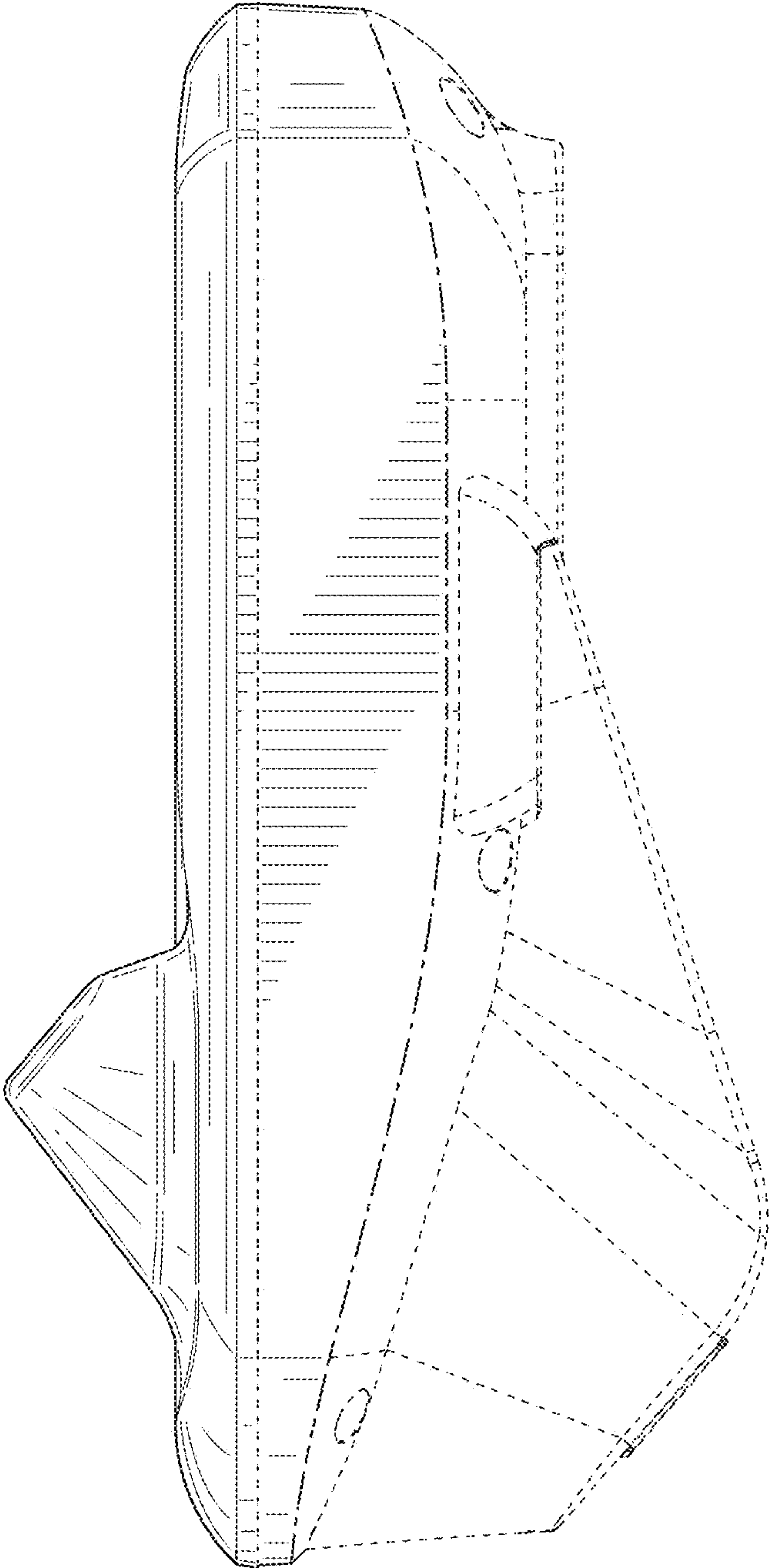


FIG. 6

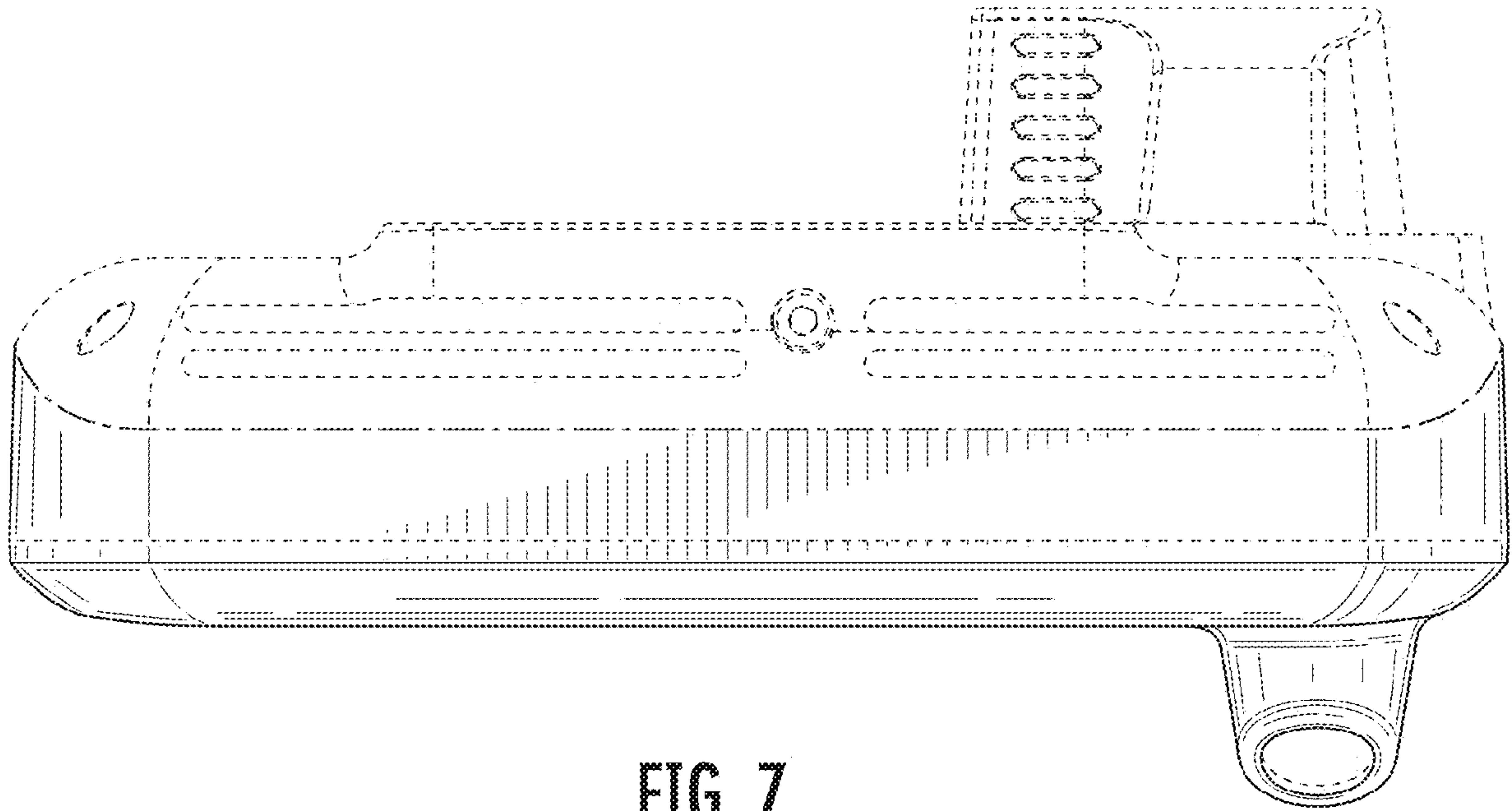


FIG. 7

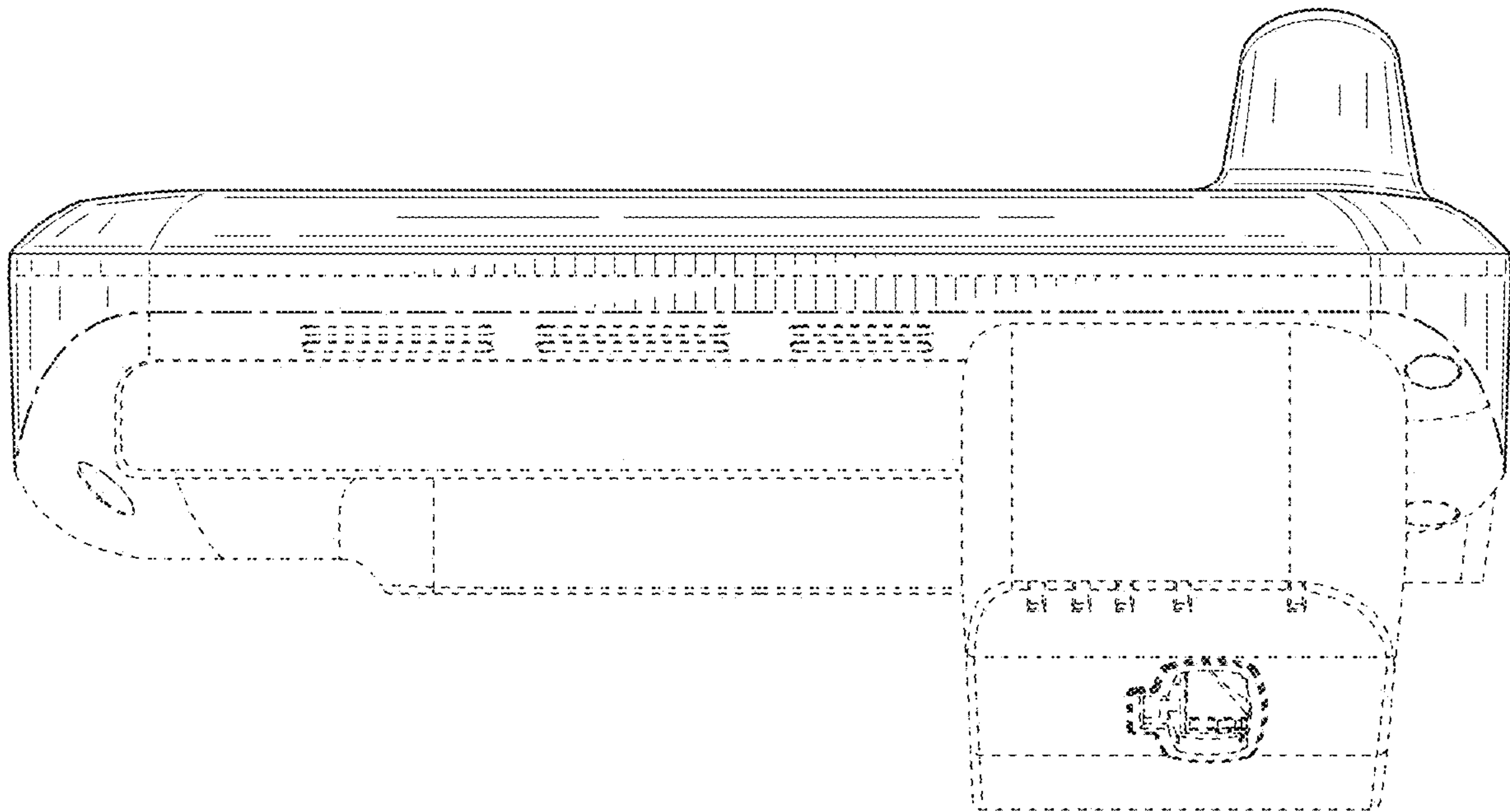


FIG. 8