



US00D907210S

(12) **United States Design Patent** (10) **Patent No.:** **US D907,210 S**
Maw (45) **Date of Patent:** **** Jan. 5, 2021**

(54) **FILTER CARTRIDGE**
(71) Applicant: **SoClean, Inc.**, Peterborough, NH (US)
(72) Inventor: **Kurt Michael Maw**, Salem, MA (US)
(73) Assignee: **SOCLEAN, INC.**, Peterborough, NH (US)
(**) Term: **15 Years**
(21) Appl. No.: **29/684,206**

D884,141 S * 5/2020 Cannon D23/366
D884,866 S * 5/2020 Knight D23/365
D893,695 S * 8/2020 Gale D23/365

OTHER PUBLICATIONS

U.S. Appl. No. 29/684,168, filed Mar. 19, 2019.
U.S. Appl. No. 29/684,173, filed Mar. 19, 2019.
U.S. Appl. No. 29/684,180, filed Mar. 19, 2019.
U.S. Appl. No. 29/684,188, filed Mar. 19, 2019.
U.S. Appl. No. 29/684,196, filed Mar. 19, 2019.
U.S. Appl. No. 29/684,229, filed Mar. 19, 2019.
U.S. Appl. No. 29/684,213, filed Mar. 19, 2019.

(Continued)

(22) Filed: **Mar. 19, 2019**
(51) **LOC (13) Cl.** **24-02**
(52) **U.S. Cl.**
USPC **D24/162**
(58) **Field of Classification Search**
USPC D24/162, 110.6, 110.1; D23/365, 366
CPC A61M 15/00
See application file for complete search history.

Primary Examiner — Rhea Shields
(74) *Attorney, Agent, or Firm* — Grossman, Tucker, Perreault & Pfleger, PLLC

(57) **CLAIM**

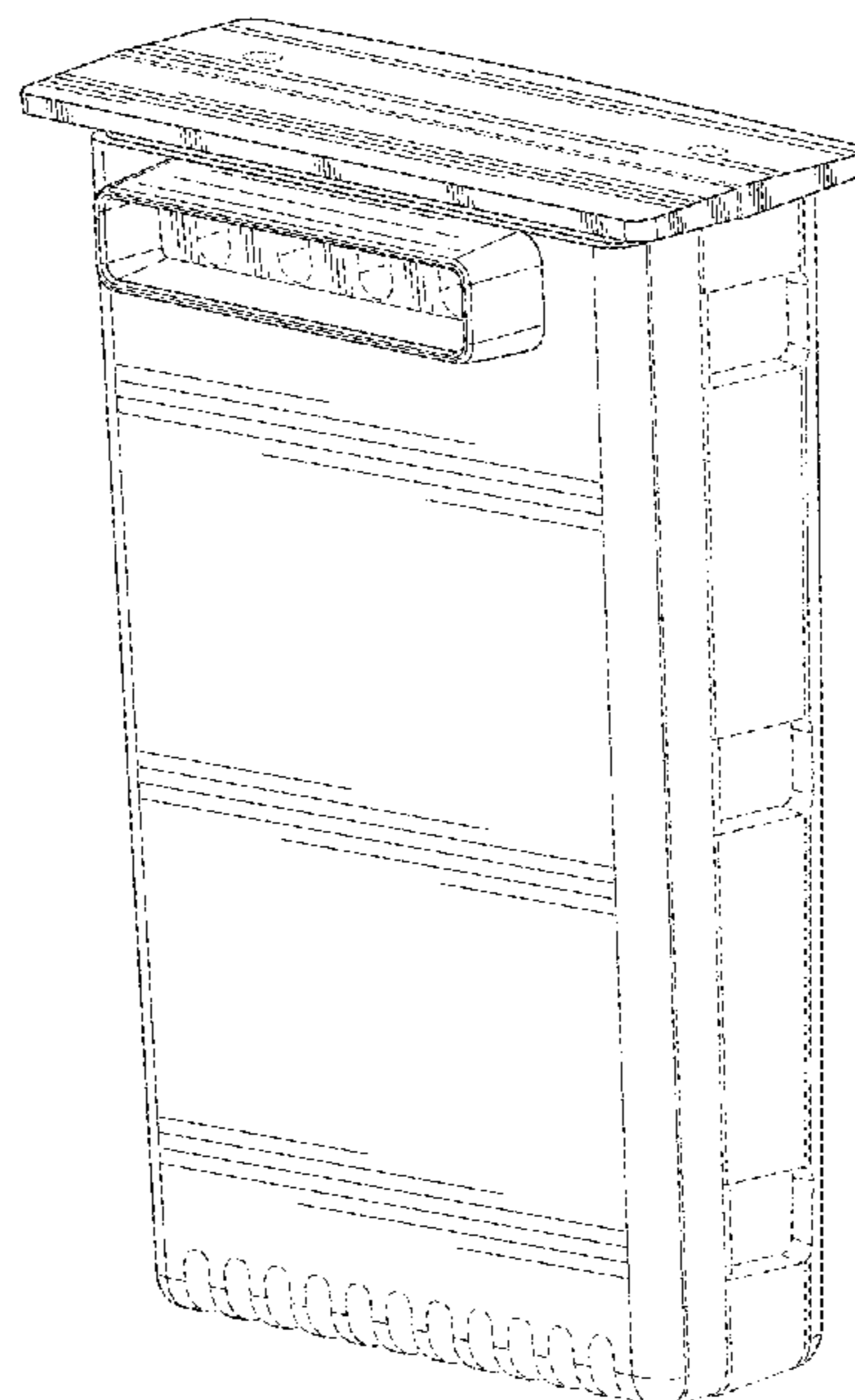
The ornamental design of a filter cartridge, as shown and described.

DESCRIPTION

(56) **References Cited**
U.S. PATENT DOCUMENTS
4,706,663 A * 11/1987 Makiej A61M 15/00
128/200.18
D389,243 S * 1/1998 Miller D24/162
D451,602 S * 12/2001 Juhlin D24/162
D524,998 S 7/2006 Nickerson et al.
D679,825 S 4/2013 Elkerbout et al.
D719,673 S 12/2014 Leyva et al.
D739,937 S * 9/2015 Lin D24/162
D757,928 S * 5/2016 Blomberg D24/110.1
D775,344 S * 12/2016 Wu D24/162
D778,430 S * 2/2017 Blomberg D24/110.1
9,610,373 B2 4/2017 Leyva
9,669,124 B2 6/2017 Leyva et al.
D825,778 S 8/2018 Brenner et al.
D848,635 S 5/2019 Davis
10,427,961 B2 10/2019 Leyva et al.
D882,758 S * 4/2020 Eitzman D24/110.6

FIG. 1 is a rear top right perspective view of a filter cartridge, showing the new design;
FIG. 2 is a rear top left perspective view thereof;
FIG. 3 is a front top left perspective view thereof;
FIG. 4 is a front top right perspective view thereof;
FIG. 5 is a rear bottom right perspective view thereof;
FIG. 6 is a rear bottom left perspective view thereof;
FIG. 7 is a rear view thereof;
FIG. 8 is a front view thereof;
FIG. 9 is a left side view thereof;
FIG. 10 is a right side thereof;
FIG. 11 is a top view thereof; and,
FIG. 12 is a bottom view thereof.
The broken lines in the figures show portions of the filter cartridge that form no part of the claimed design.

1 Claim, 12 Drawing Sheets



(56)

References Cited

OTHER PUBLICATIONS

Notice of Allowance dated Mar. 6, 2020, issued in U.S. Appl. No.
29/684,168, 8 pages.

Notice of Allowance dated Mar. 9, 2020, issued in U.S. Appl. No.
29/684,173, 8 pages.

* cited by examiner

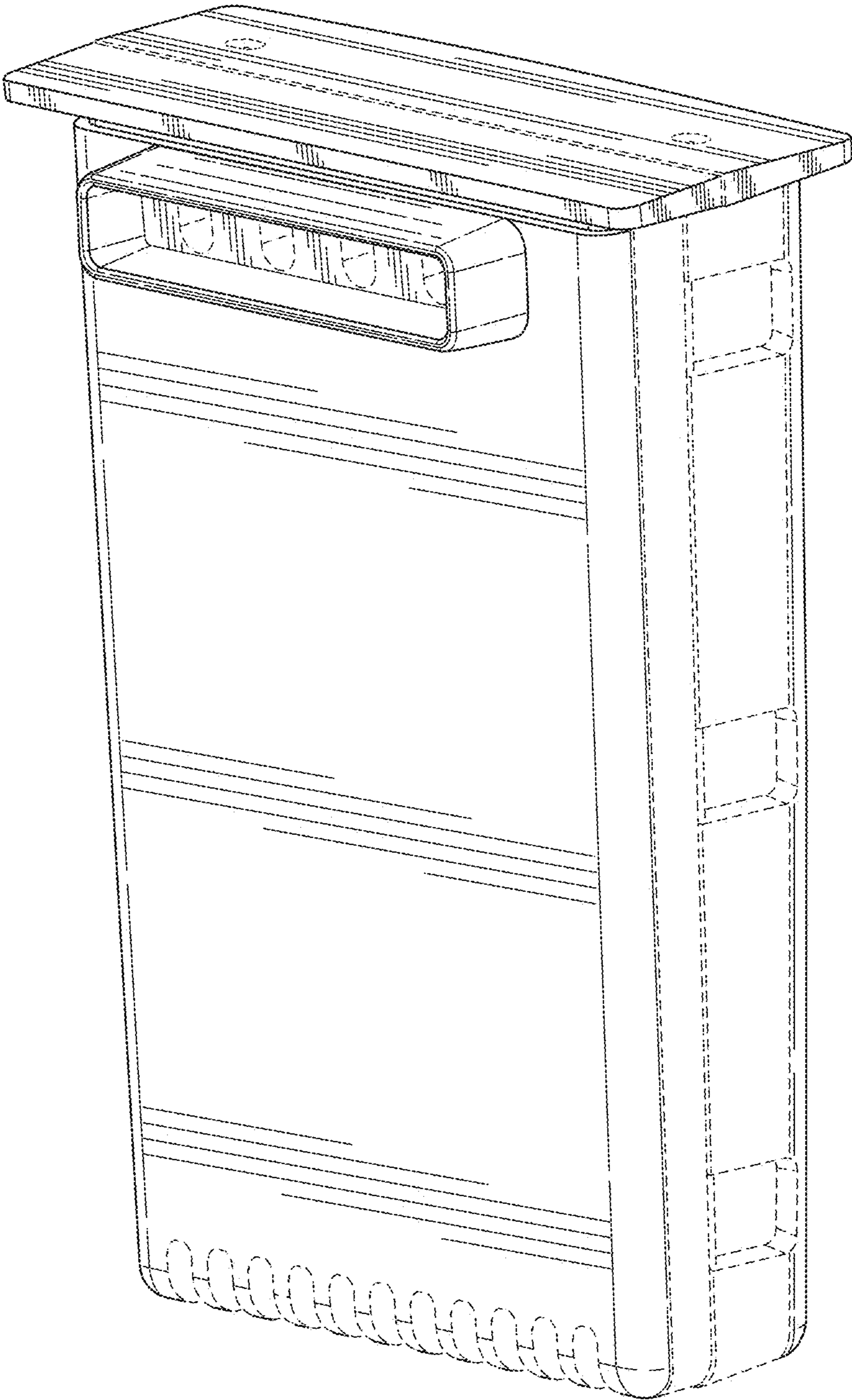


FIG. 1

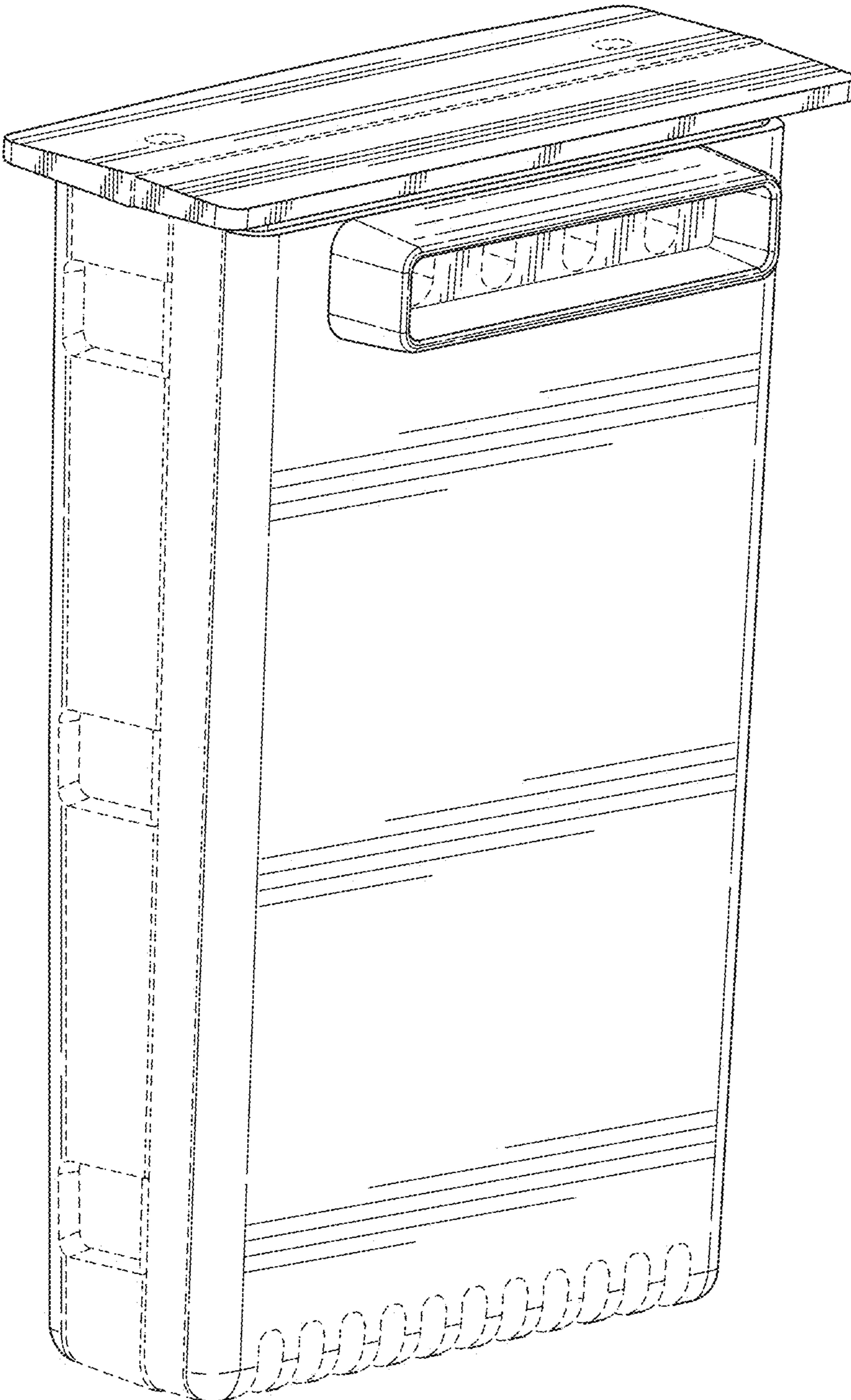


FIG. 2

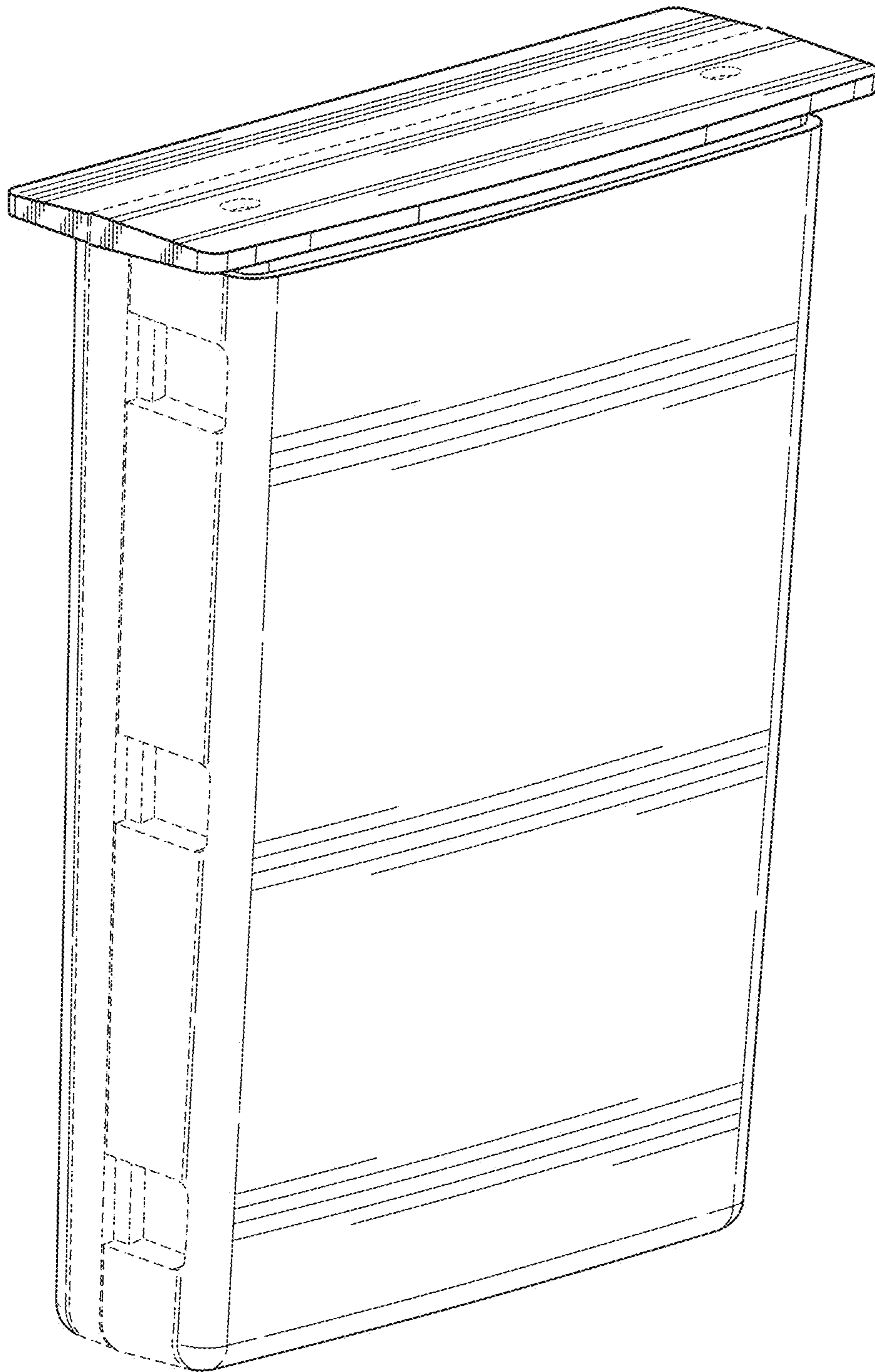


FIG. 3

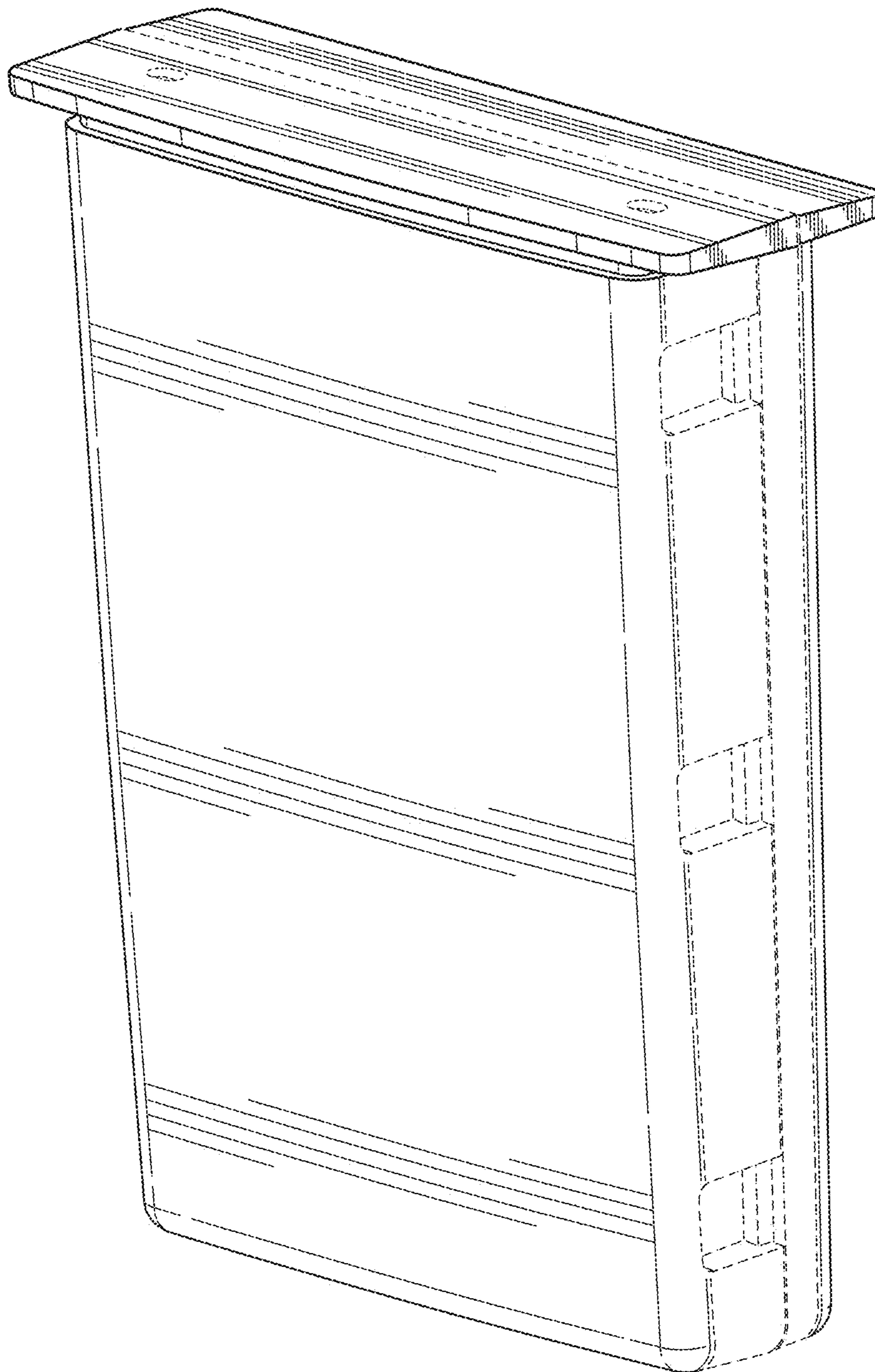


FIG. 4

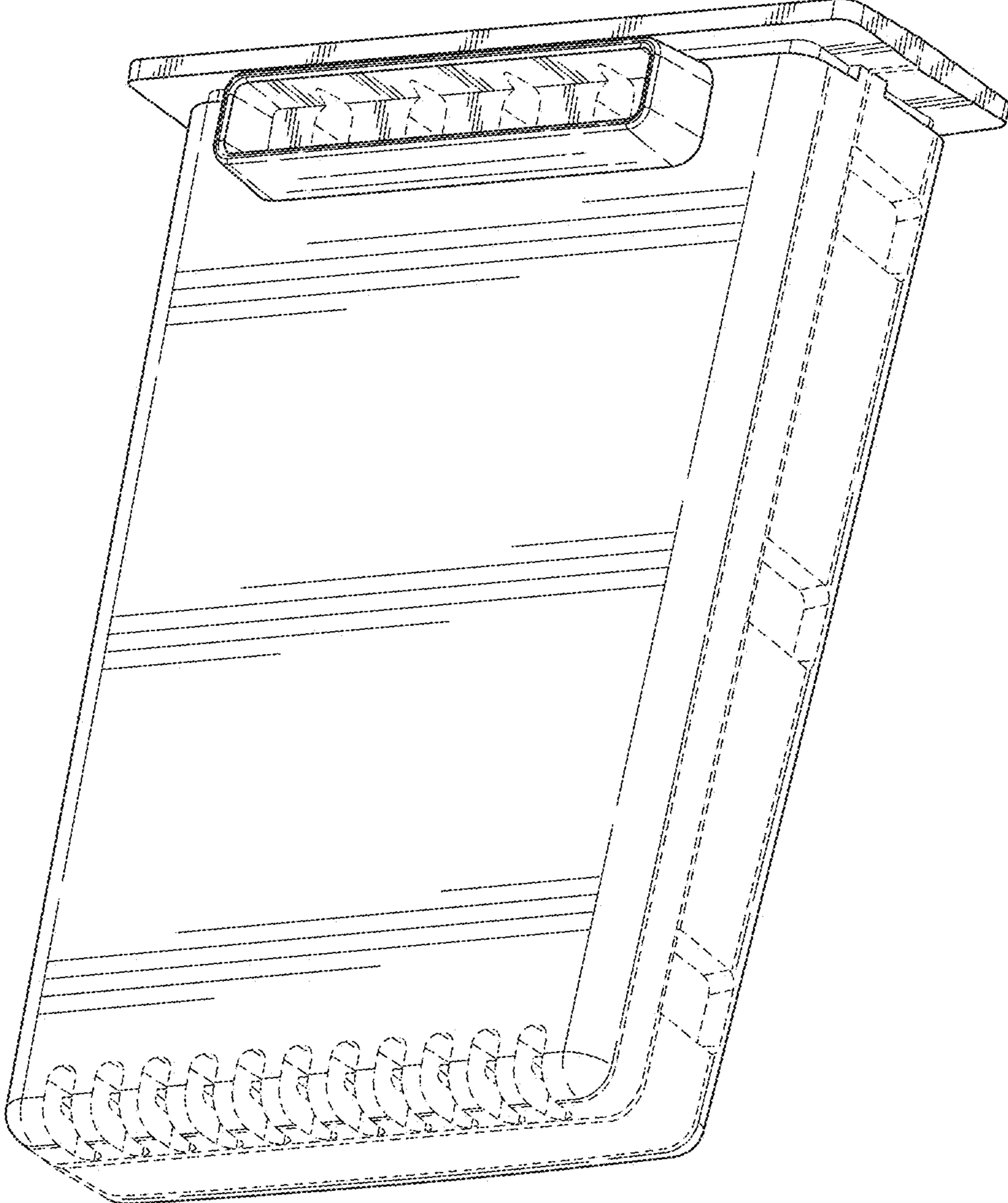


FIG. 5

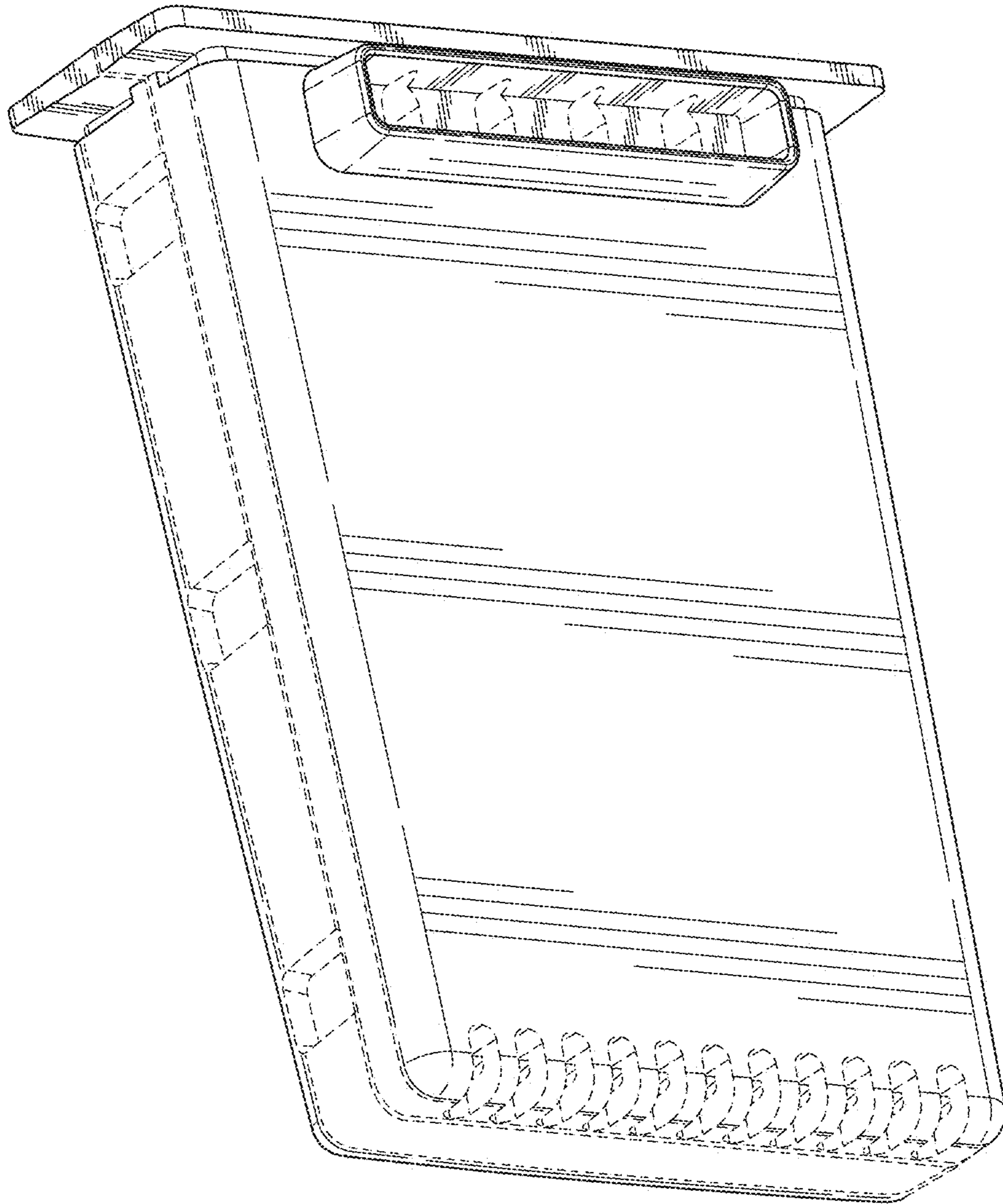


FIG. 6

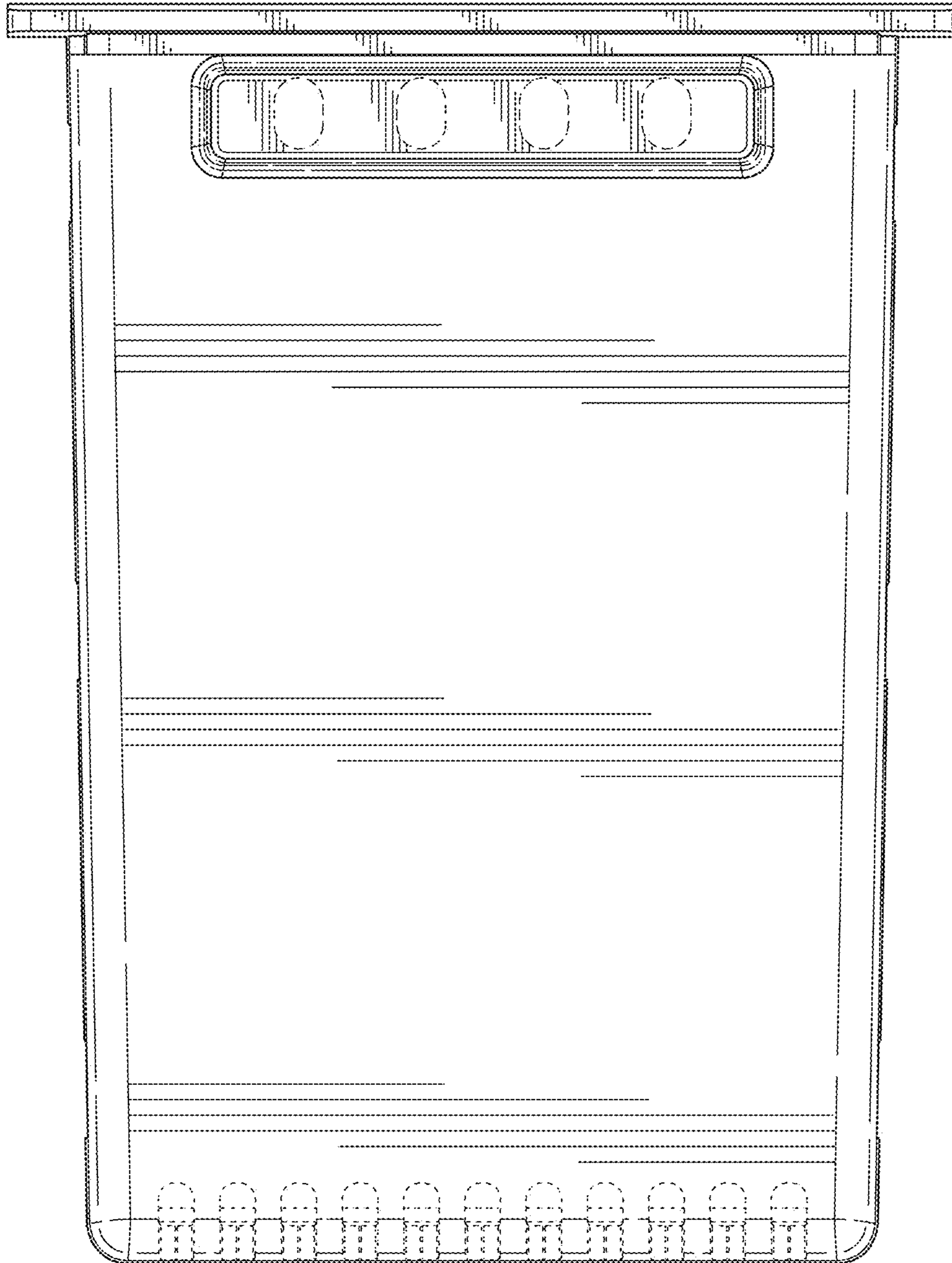


FIG. 7

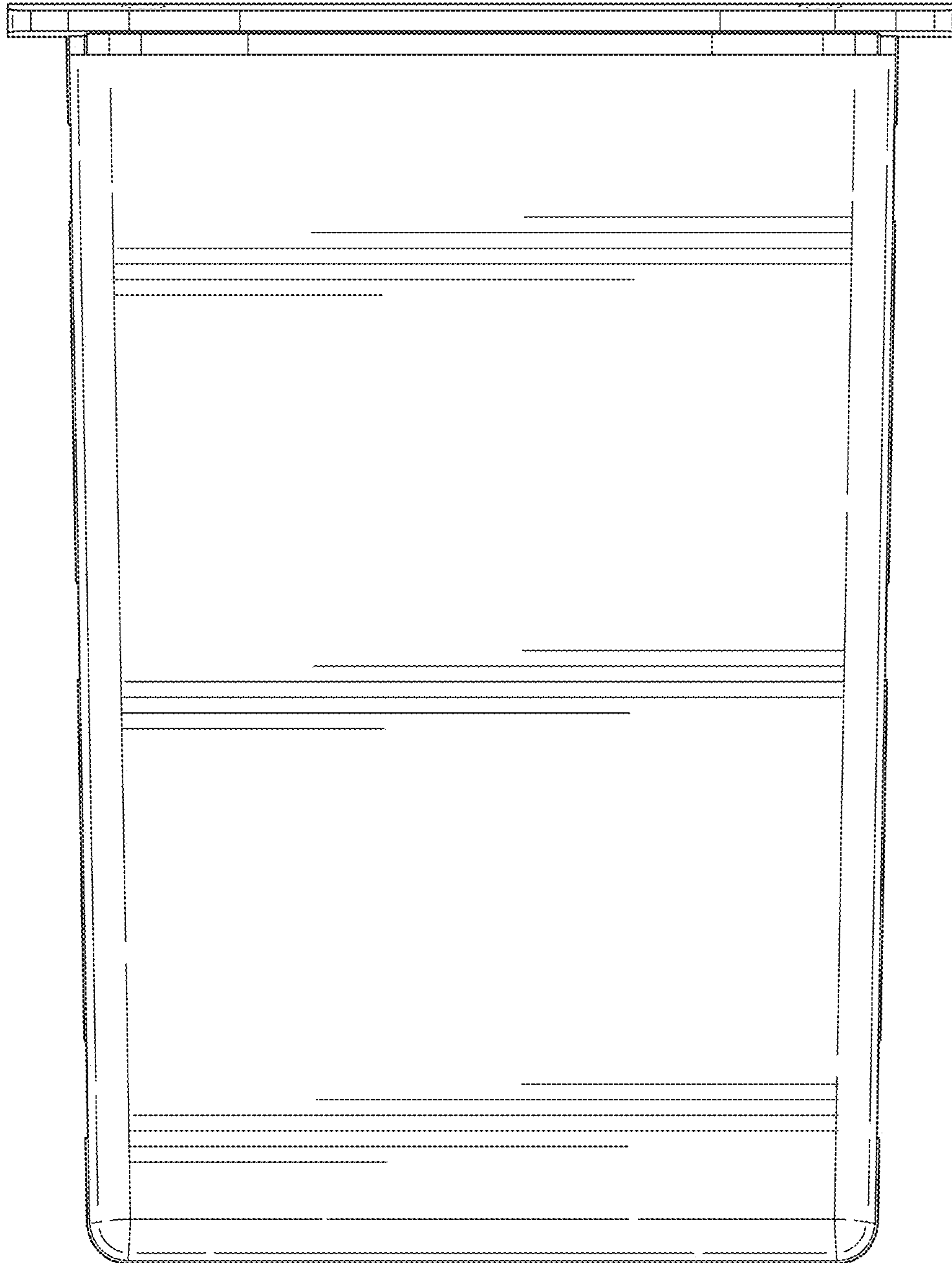


FIG. 8

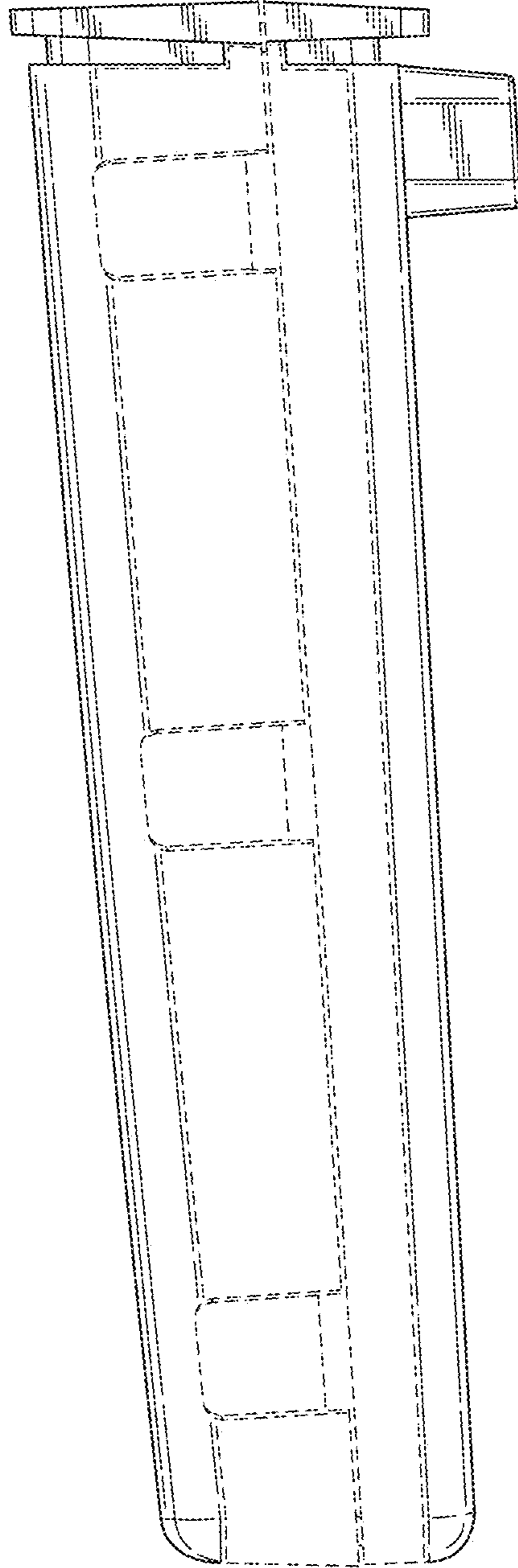


FIG. 9

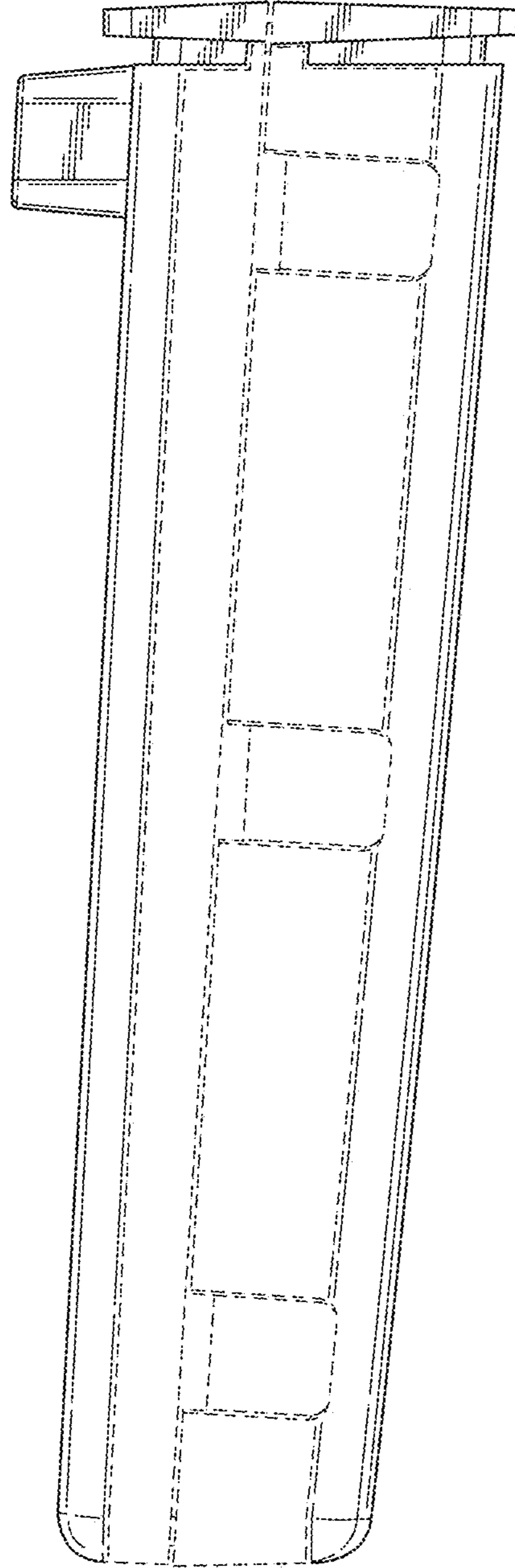


FIG. 10

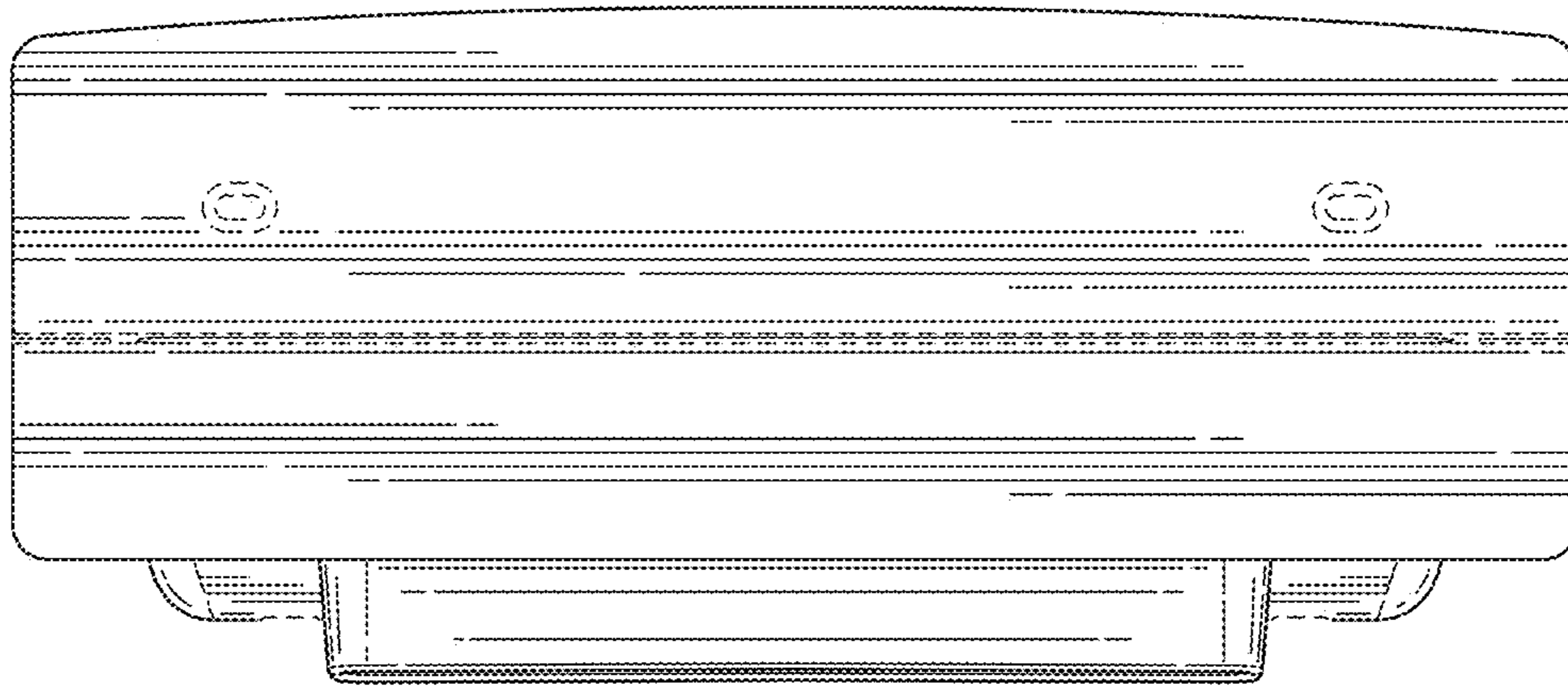


FIG. 11

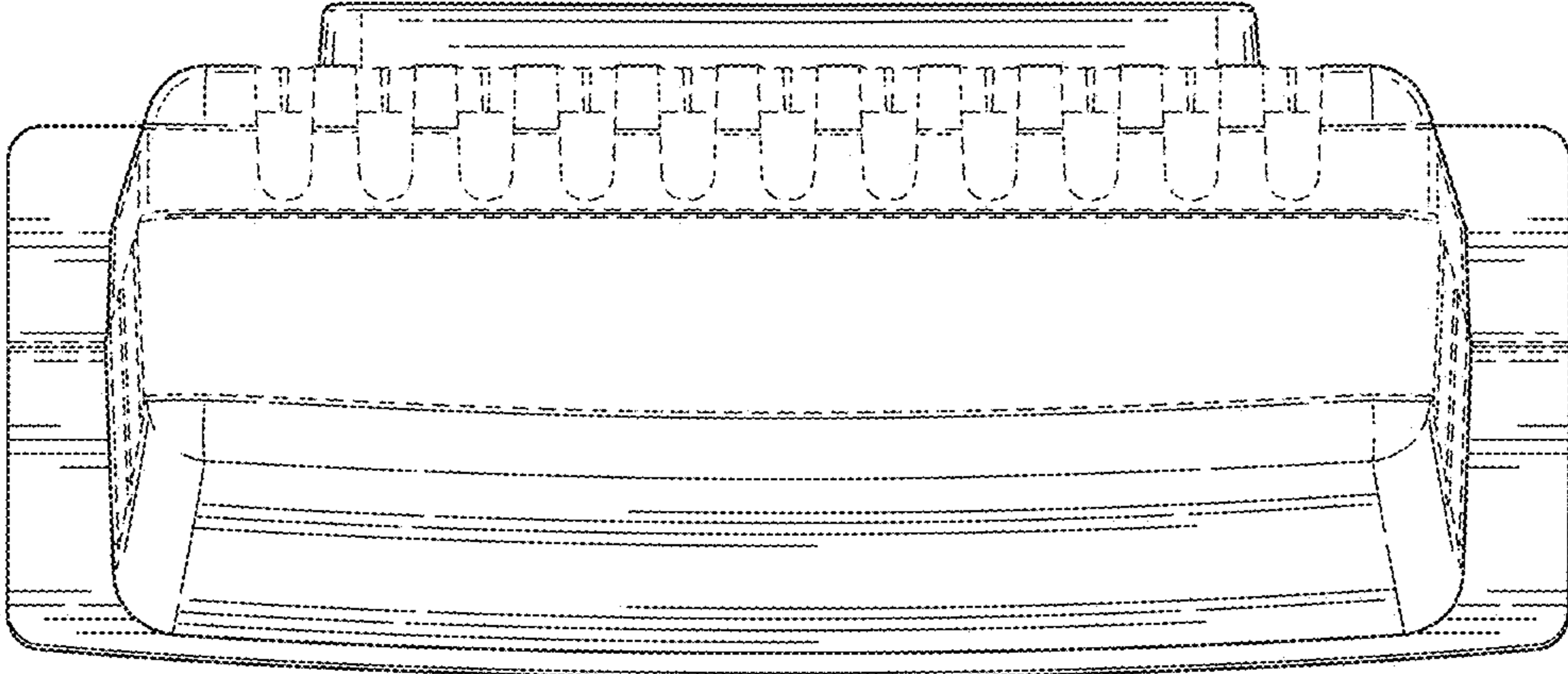


FIG. 12