



US00D907208S

(12) **United States Design Patent**  
**Oosthuizen**

(10) **Patent No.:** **US D907,208 S**

(45) **Date of Patent:** **\*\* Jan. 5, 2021**

(54) **FIXED BEARING INSERT**

(71) Applicant: **Christiaan Rudolf Oosthuizen,**  
Northcliff (ZA)

(72) Inventor: **Christiaan Rudolf Oosthuizen,**  
Northcliff (ZA)

(\*\*) Term: **15 Years**

(21) Appl. No.: **29/694,814**

(22) Filed: **Jun. 13, 2019**

(30) **Foreign Application Priority Data**

Dec. 13, 2018 (ZA) ..... 2018/01915

(51) **LOC (13) Cl.** ..... **24-03**

(52) **U.S. Cl.**  
USPC ..... **D24/155**

(58) **Field of Classification Search**  
USPC ..... D24/155  
CPC ..... A61F 2/38; A61F 2/389; A61F 2/3886;  
A61F 2/3859; A61F 2/3868; A61F 2/64;  
A61F 2002/30687; A61F 2002/30884;  
A61F 2002/30607  
See application file for complete search history.

(56) **References Cited**

**U.S. PATENT DOCUMENTS**

5,171,276 A \* 12/1992 Caspari ..... A61F 2/38  
606/92  
5,201,768 A \* 4/1993 Caspari ..... A61F 2/38  
623/20.32  
D365,396 S \* 12/1995 Hayes ..... D24/155  
9,408,705 B2 \* 8/2016 Oosthuizen ..... A61F 2/38

9,445,909 B2 \* 9/2016 Cohen ..... A61F 2/389  
9,462,964 B2 \* 10/2016 Stein ..... A61F 2/38  
D856,518 S \* 8/2019 Dacus ..... D24/155  
2005/0209703 A1 \* 9/2005 Fell ..... A61F 2/389  
623/20.33  
2010/0298947 A1 \* 11/2010 Unger ..... A61F 2/38  
623/20.32  
2014/0324179 A1 \* 10/2014 Salehi ..... A61F 2/389  
623/20.32

\* cited by examiner

*Primary Examiner* — Wan Laymon

(74) *Attorney, Agent, or Firm* — Nath, Goldberg &  
Meyer; Joshua B. Goldberg

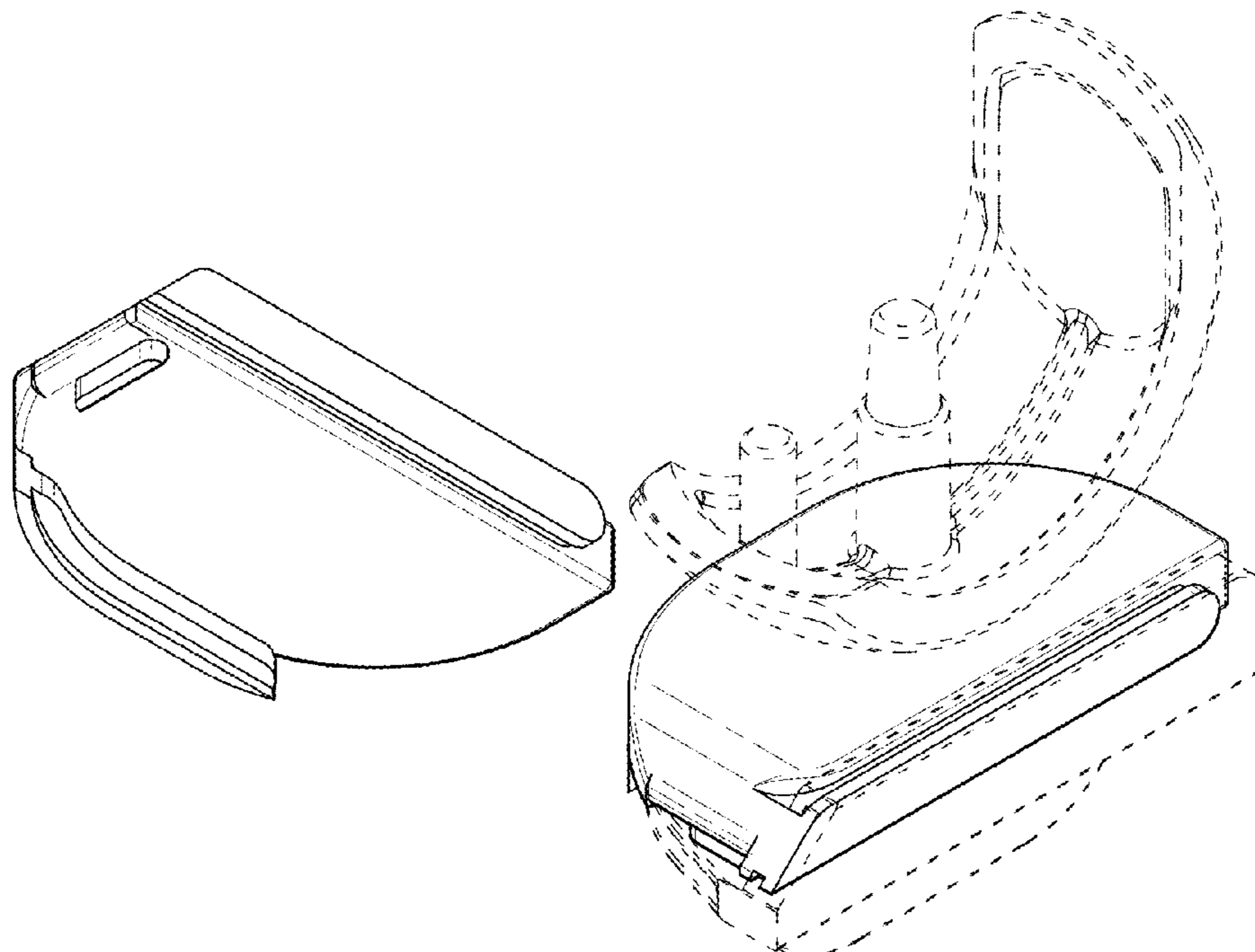
(57) **CLAIM**

The ornamental design for a fixed bearing insert, as shown and described.

**DESCRIPTION**

FIG. 1 is an upper perspective view of a fixed bearing insert showing my new design;  
FIG. 2 is a lower perspective view thereof;  
FIG. 3 is a top view thereof;  
FIG. 4 is a bottom view thereof;  
FIG. 5 is a right side view thereof;  
FIG. 6 is a left side view thereof;  
FIG. 7 is a front view thereof;  
FIG. 8 is a rear view thereof;  
FIG. 9 is an upper, environmental perspective view thereof;  
FIG. 10 is an upper, environmental perspective view thereof;  
FIG. 11 is an environmental, right side view thereof; and,  
FIG. 12 is an environmental, front view thereof.  
In FIGS. 9-12, the broken lines depict environmental subject matter only and form no part of the claimed design.

**1 Claim, 7 Drawing Sheets**



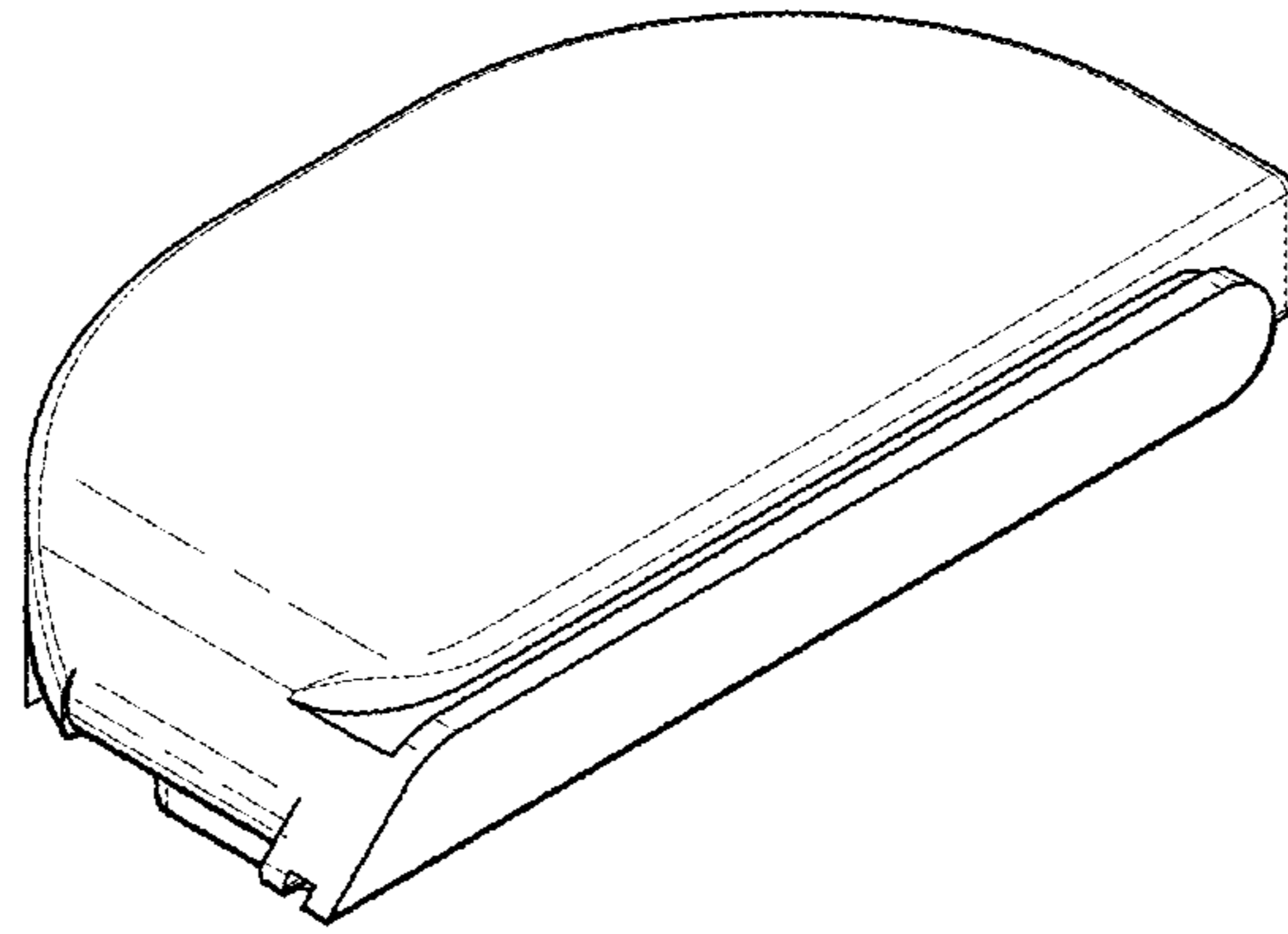


FIG. 1

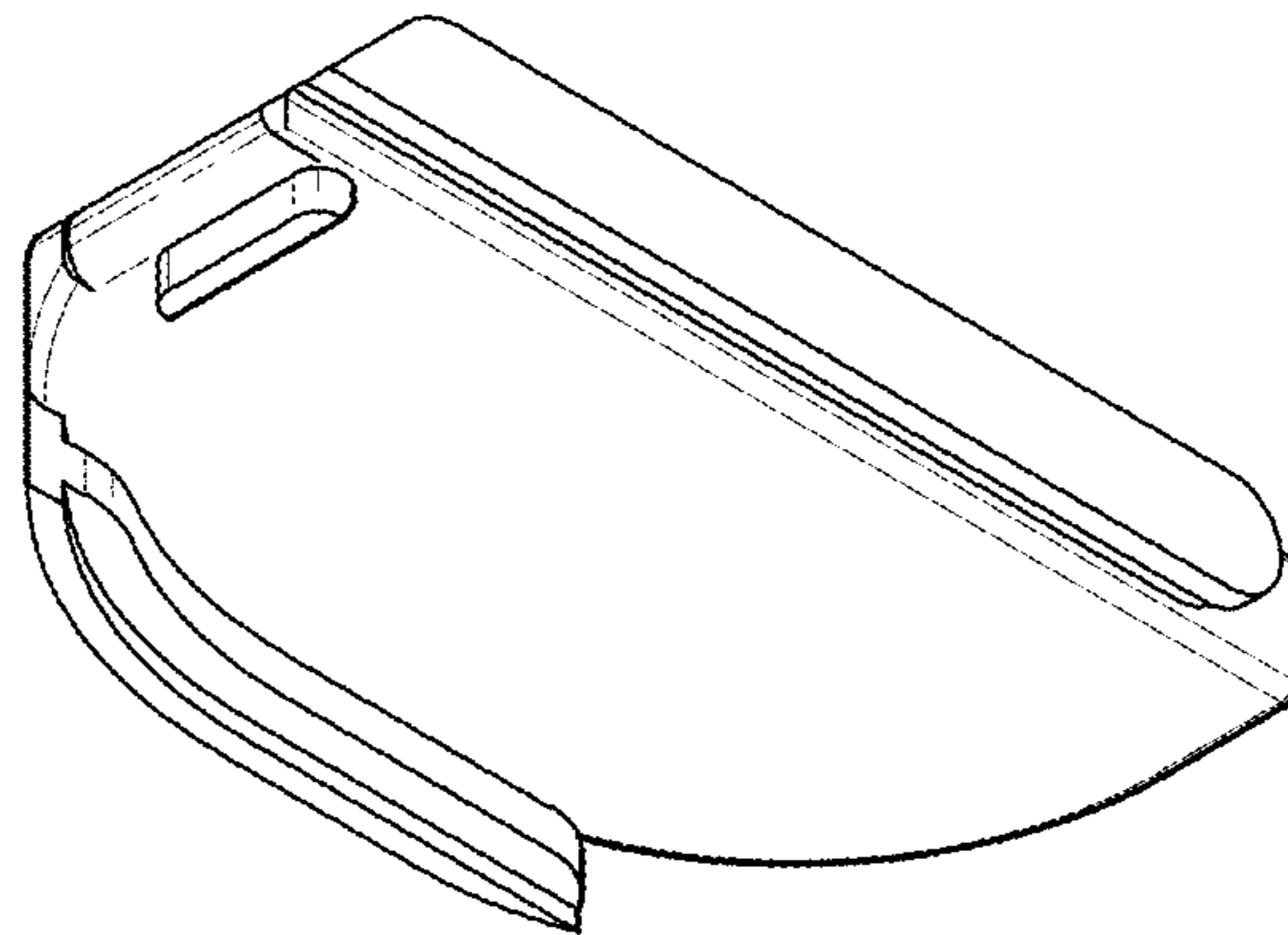


FIG. 2

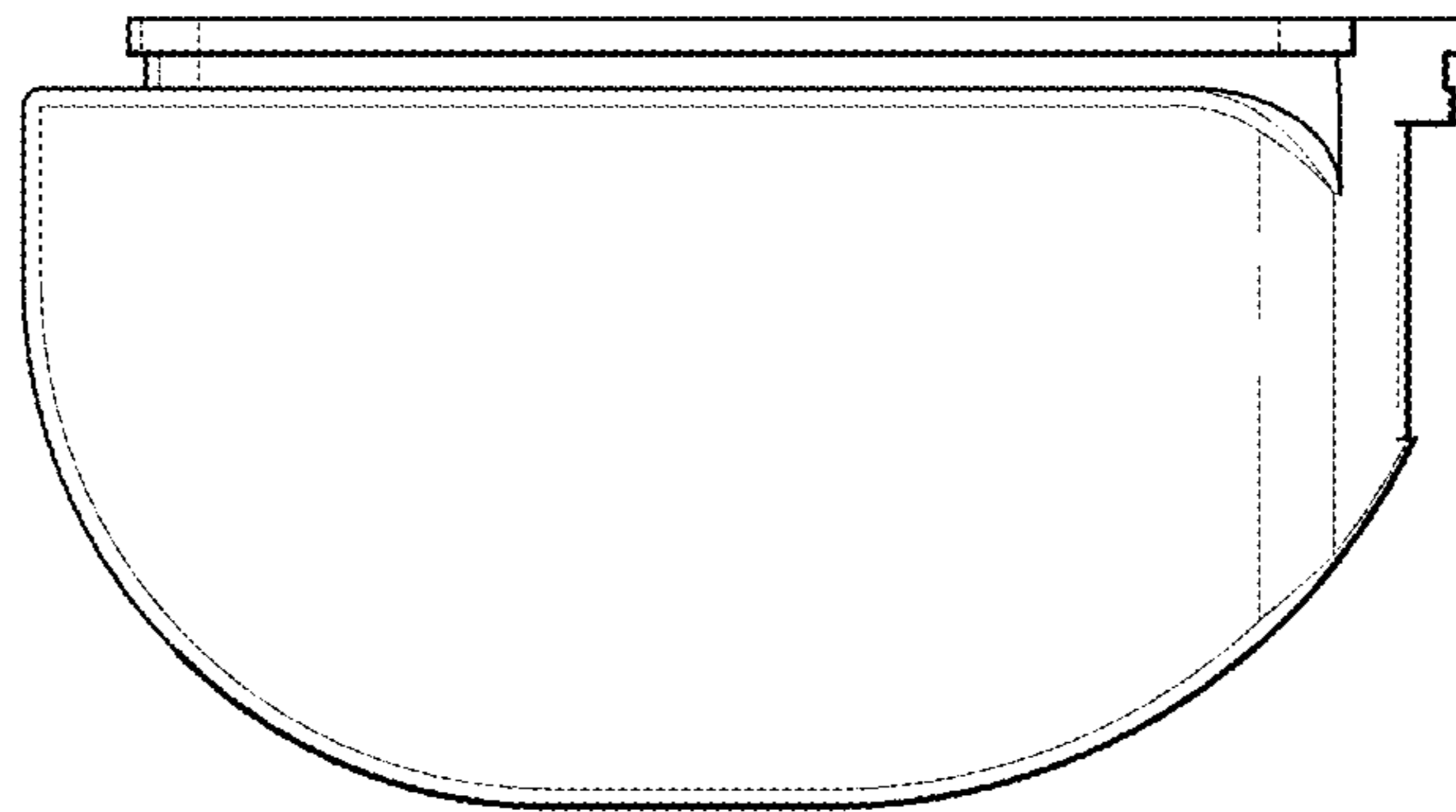


FIG. 3

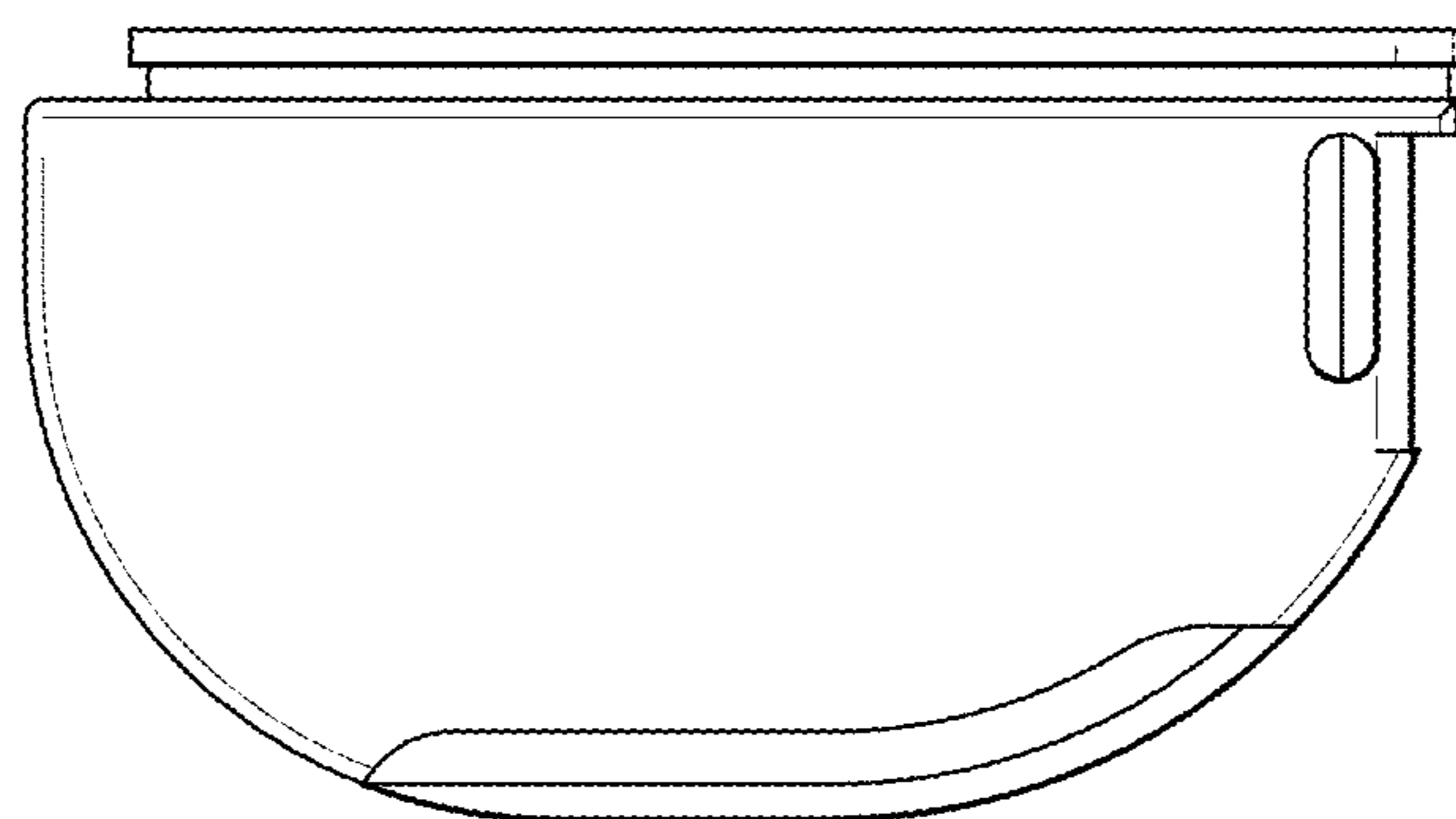


FIG. 4



FIG. 5

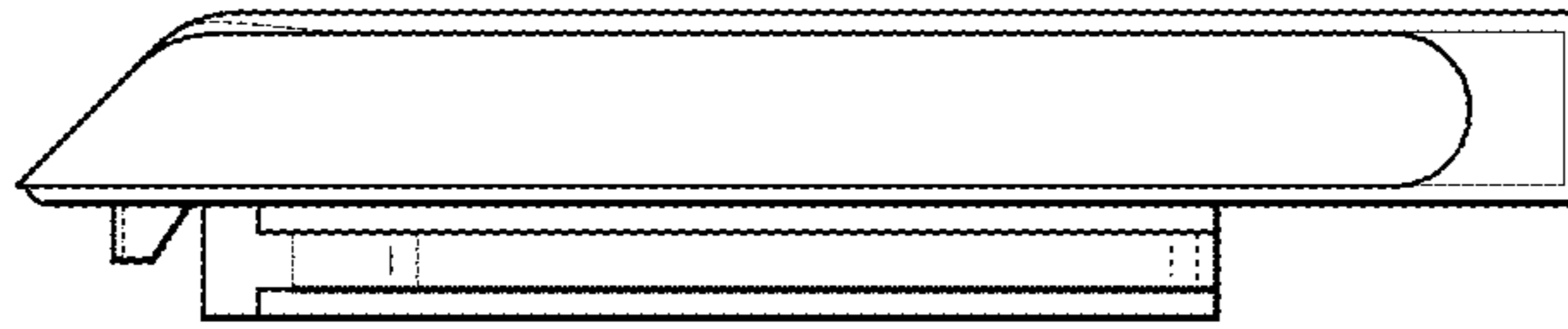


FIG. 6

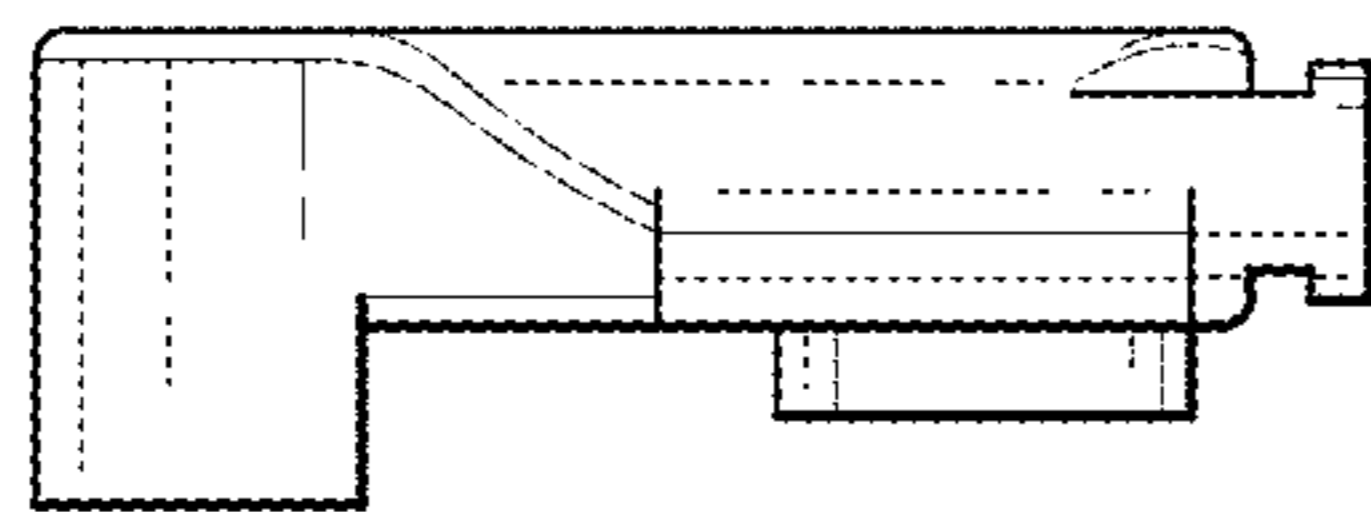


FIG. 7

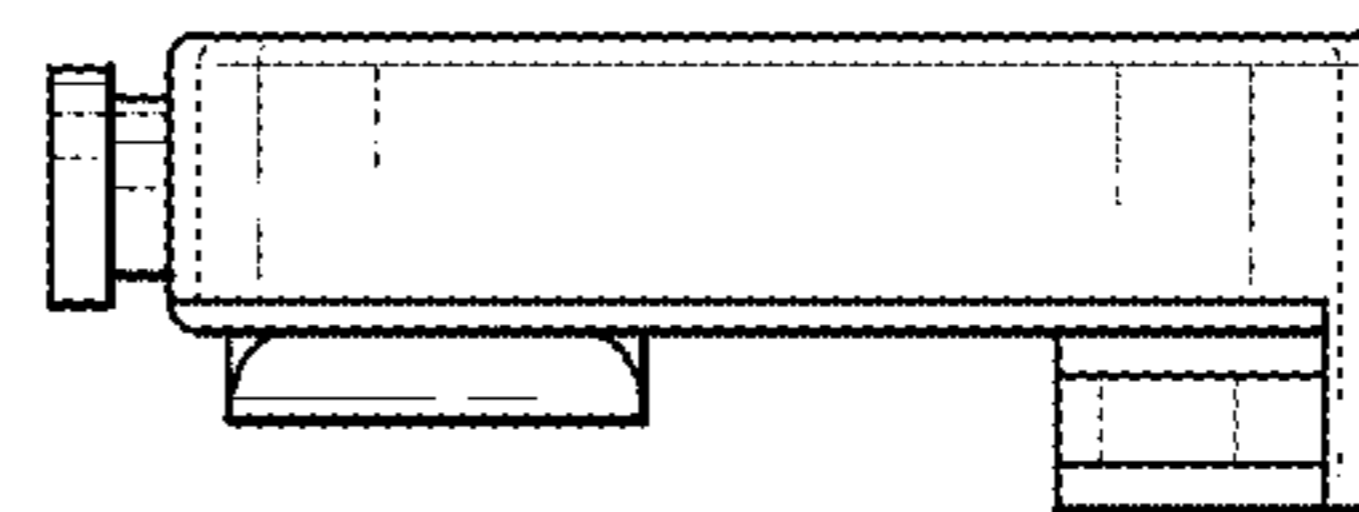


FIG. 8

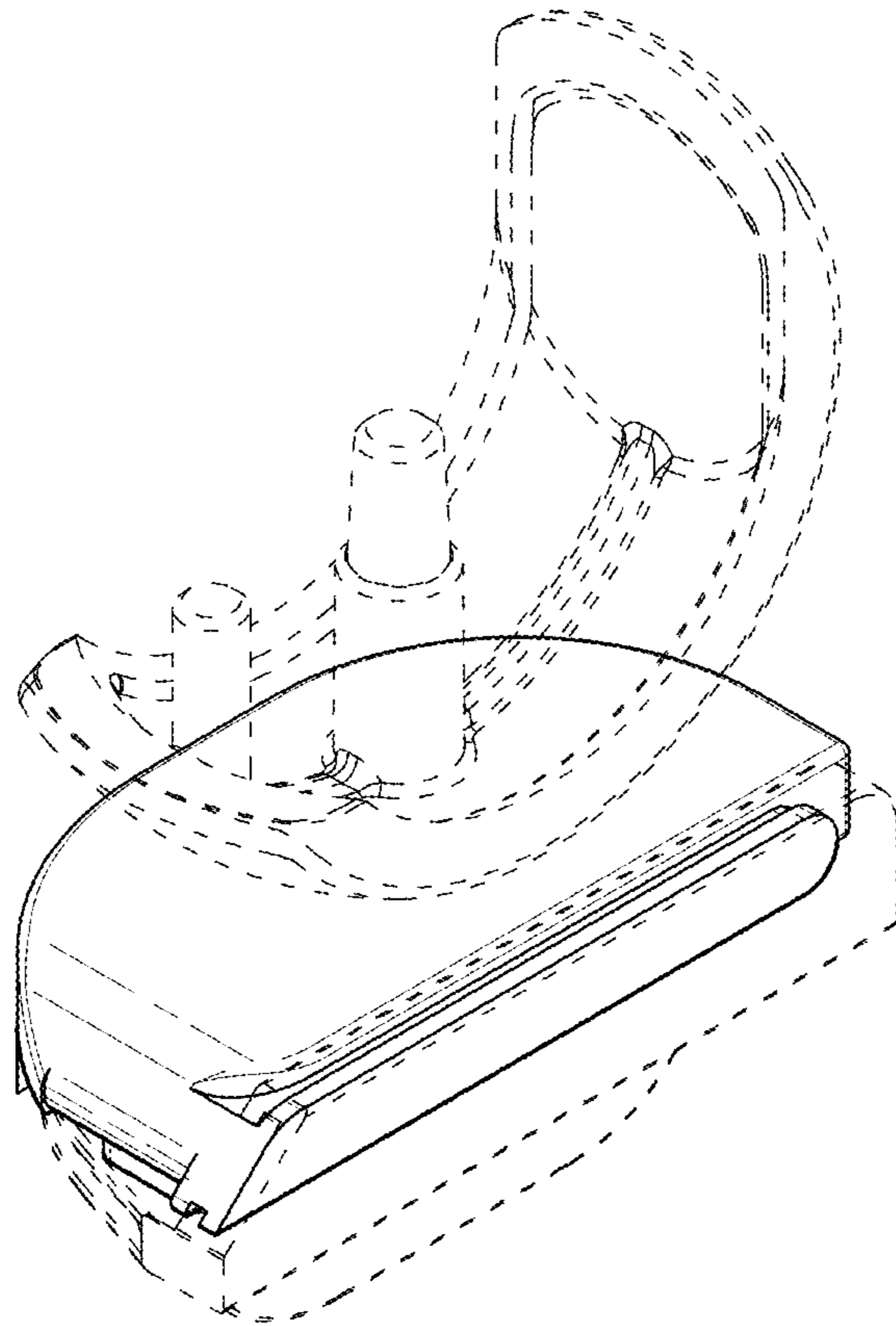


FIG. 9

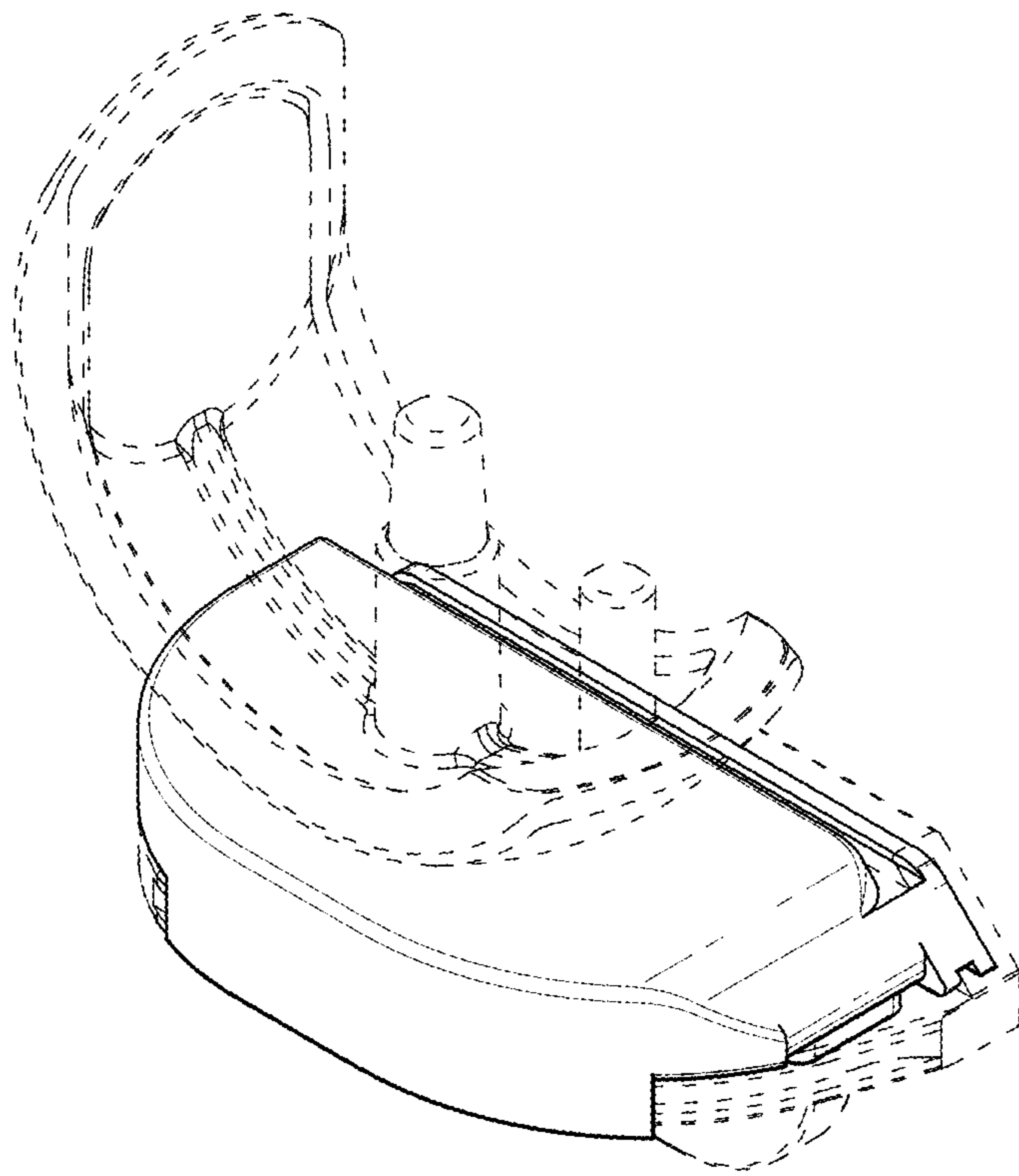


FIG. 10

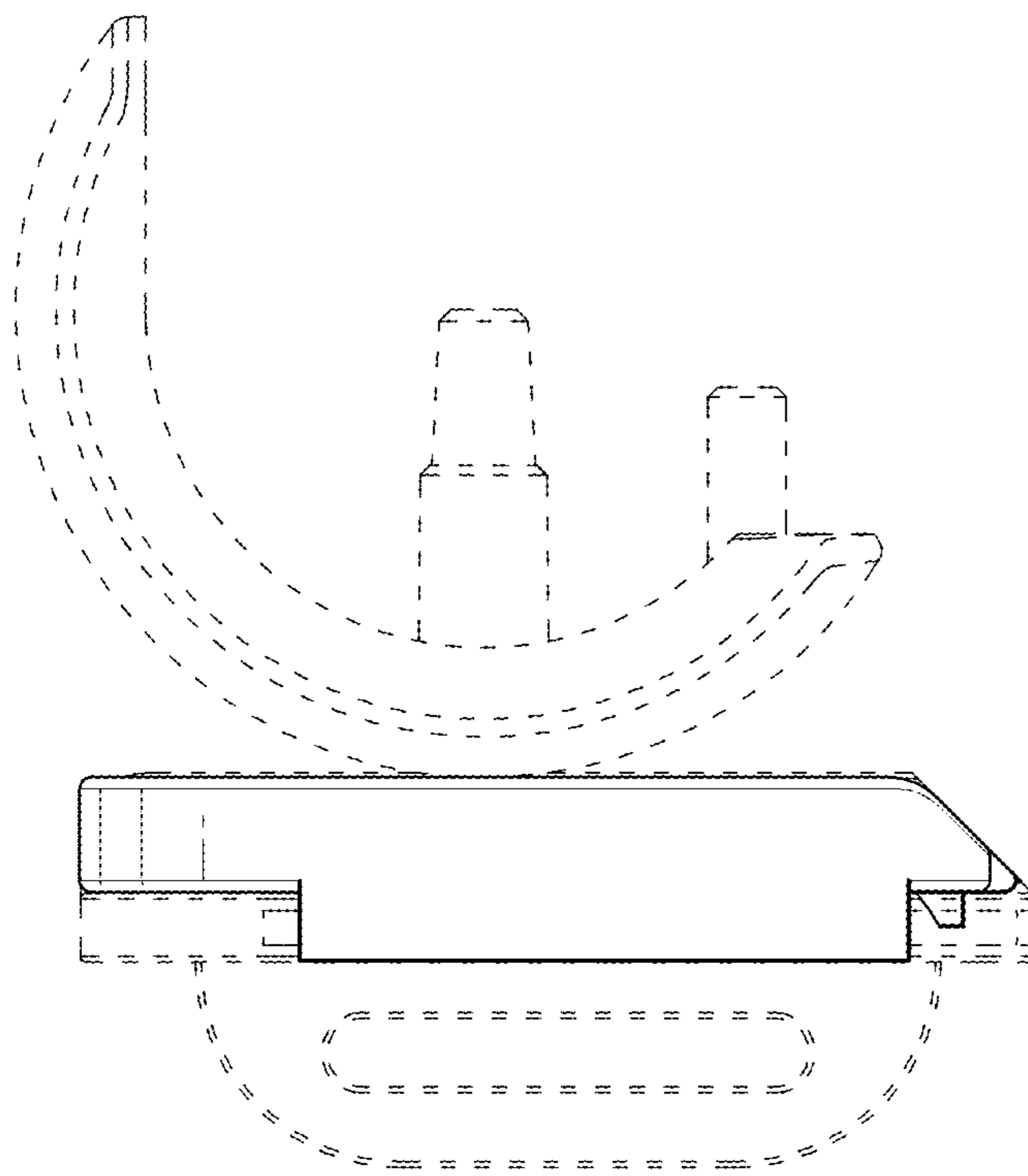


FIG. 11

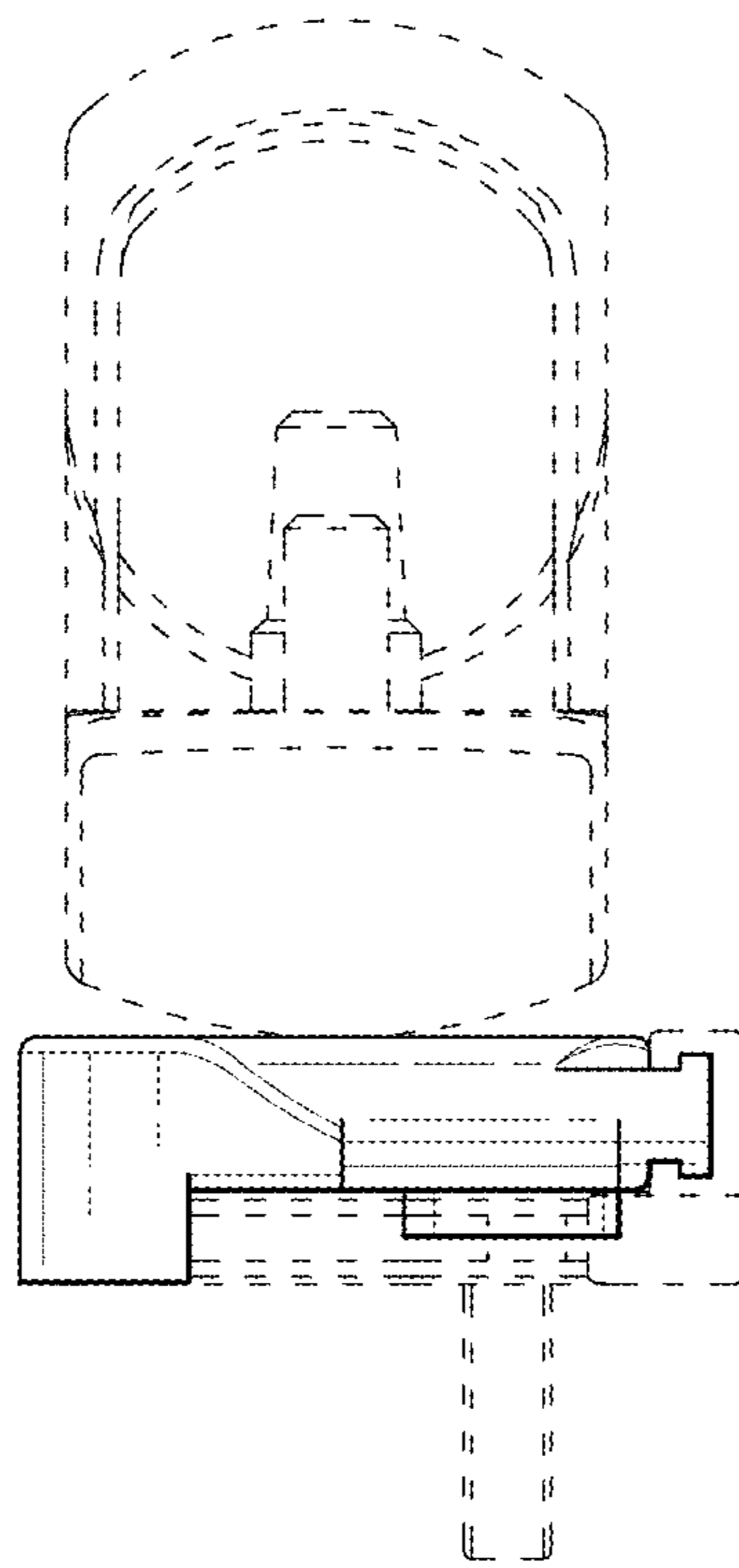


FIG. 12