

US00D907207S

(12) **United States Design Patent**
Oosthuizen

(10) **Patent No.:** **US D907,207 S**

(45) **Date of Patent:** **** Jan. 5, 2021**

(54) **TIBIAL COMPONENT**

(71) Applicant: **Christiaan Rudolf Oosthuizen,**
Northcliff (ZA)

(72) Inventor: **Christiaan Rudolf Oosthuizen,**
Northcliff (ZA)

(**) Term: **15 Years**

(21) Appl. No.: **29/694,813**

(22) Filed: **Jun. 13, 2019**

(30) **Foreign Application Priority Data**

Dec. 13, 2018 (ZA) F2018/01914

(51) **LOC (13) Cl.** **24-03**

(52) **U.S. Cl.**
USPC **D24/155**

(58) **Field of Classification Search**
USPC D24/155
CPC A61F 2/38; A61F 2/389; A61F 2/3886;
A61F 2/3859; A61F 2/3868; A61F 2/64;
A61F 2002/30687; A61F 2002/30884;
A61F 2002/30607
See application file for complete search history.

(56) **References Cited**

U.S. PATENT DOCUMENTS

5,171,276 A * 12/1992 Caspari A61F 2/38
606/92
5,201,768 A * 4/1993 Caspari A61F 2/38
623/20.32

D365,396 S * 12/1995 Hayes D24/155
9,408,705 B2 * 8/2016 Oosthuizen A61F 2/38
9,445,909 B2 * 9/2016 Cohen A61F 2/389
9,462,964 B2 * 10/2016 Stein A61F 2/38
D856,518 S * 8/2019 Dacus D24/155
2005/0209703 A1 * 9/2005 Fell A61F 2/389
623/20.33
2010/0298947 A1 * 11/2010 Unger A61F 2/38
623/20.32
2014/0324179 A1 * 10/2014 Salehi A61F 2/389
623/20.32

* cited by examiner

Primary Examiner — Wan Laymon

(74) *Attorney, Agent, or Firm* — Nath, Goldberg &
Meyer; Joshua B. Goldberg

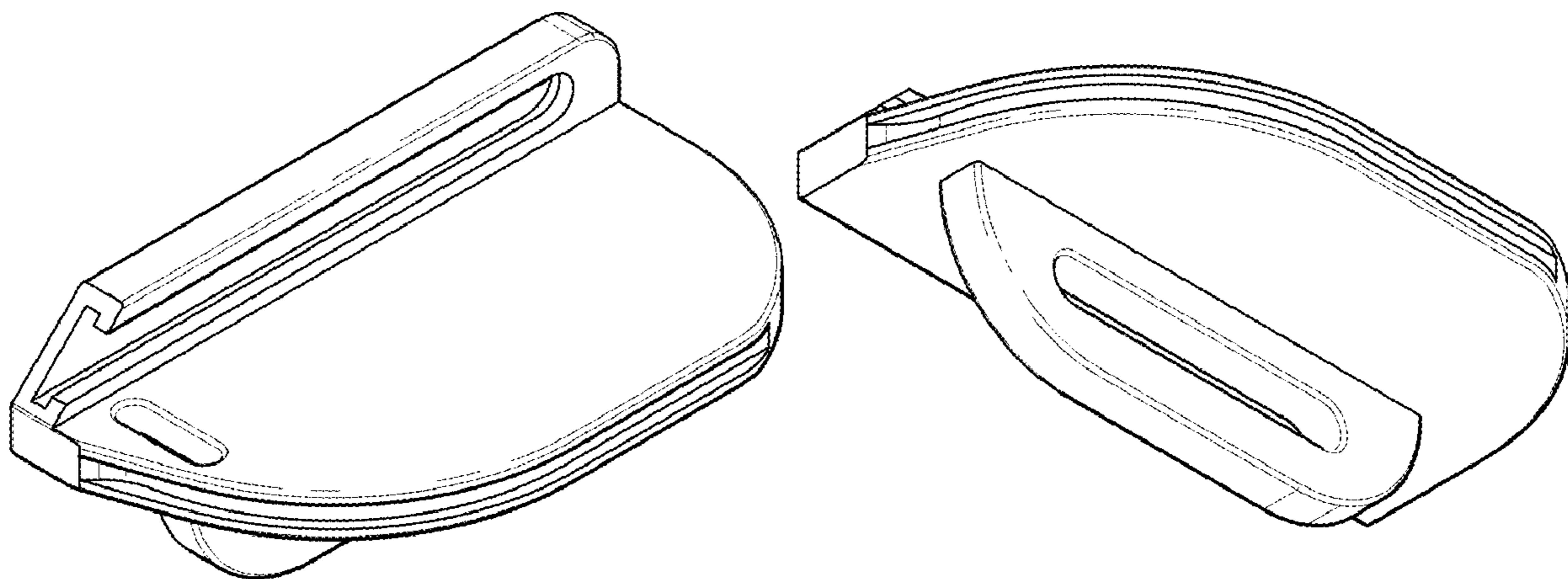
(57) **CLAIM**

The ornamental design for a tibial component, as shown and described.

DESCRIPTION

FIG. 1 is an upper perspective view of a tibial component showing my new design;
FIG. 2 is a lower perspective view thereof;
FIG. 3 is a top view thereof;
FIG. 4 is a bottom view thereof;
FIG. 5 is a left side view thereof;
FIG. 6 is a right side view thereof;
FIG. 7 is a front view thereof; and,
FIG. 8 is a rear view thereof.

1 Claim, 3 Drawing Sheets



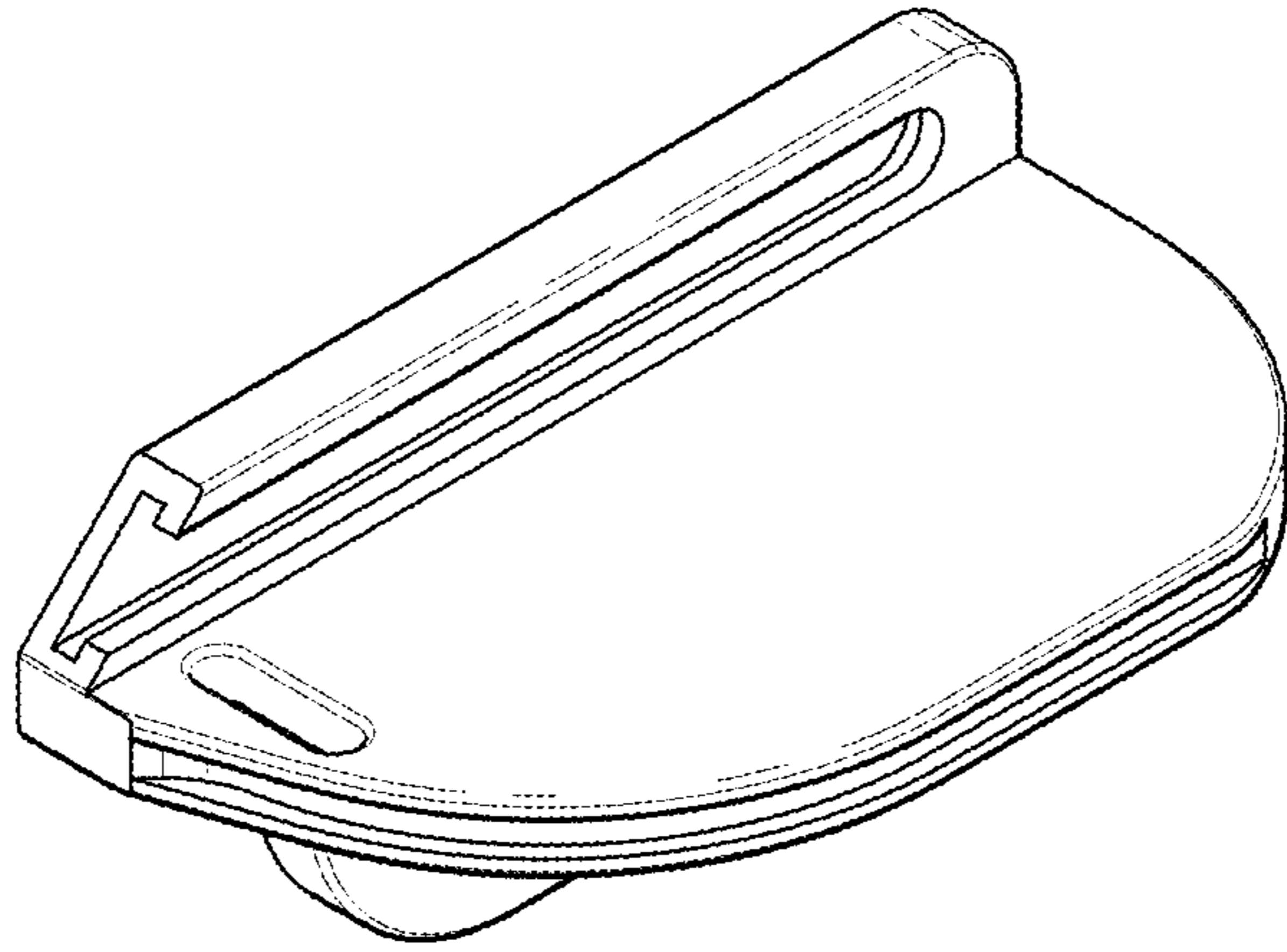


FIG. 1

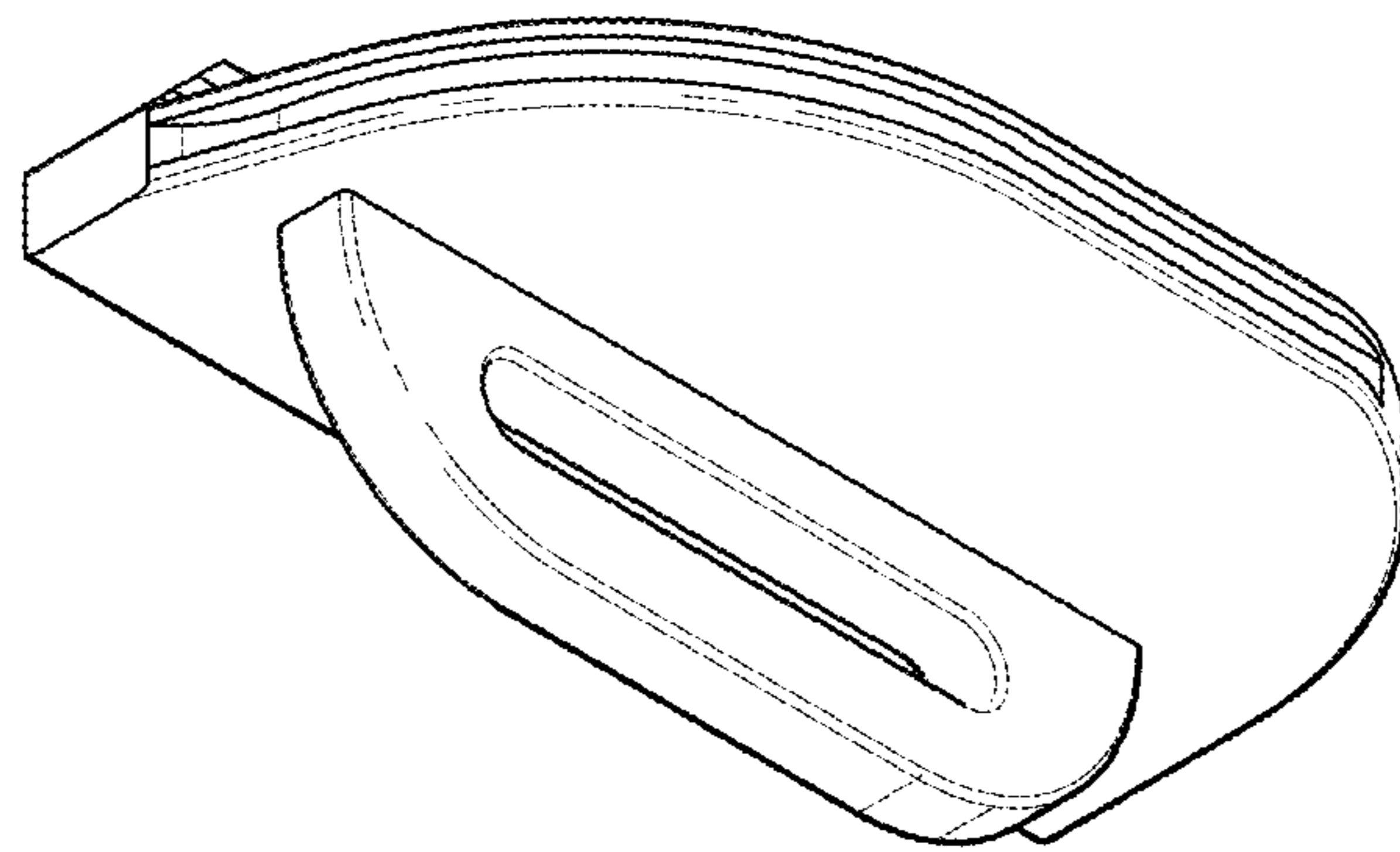


FIG. 2

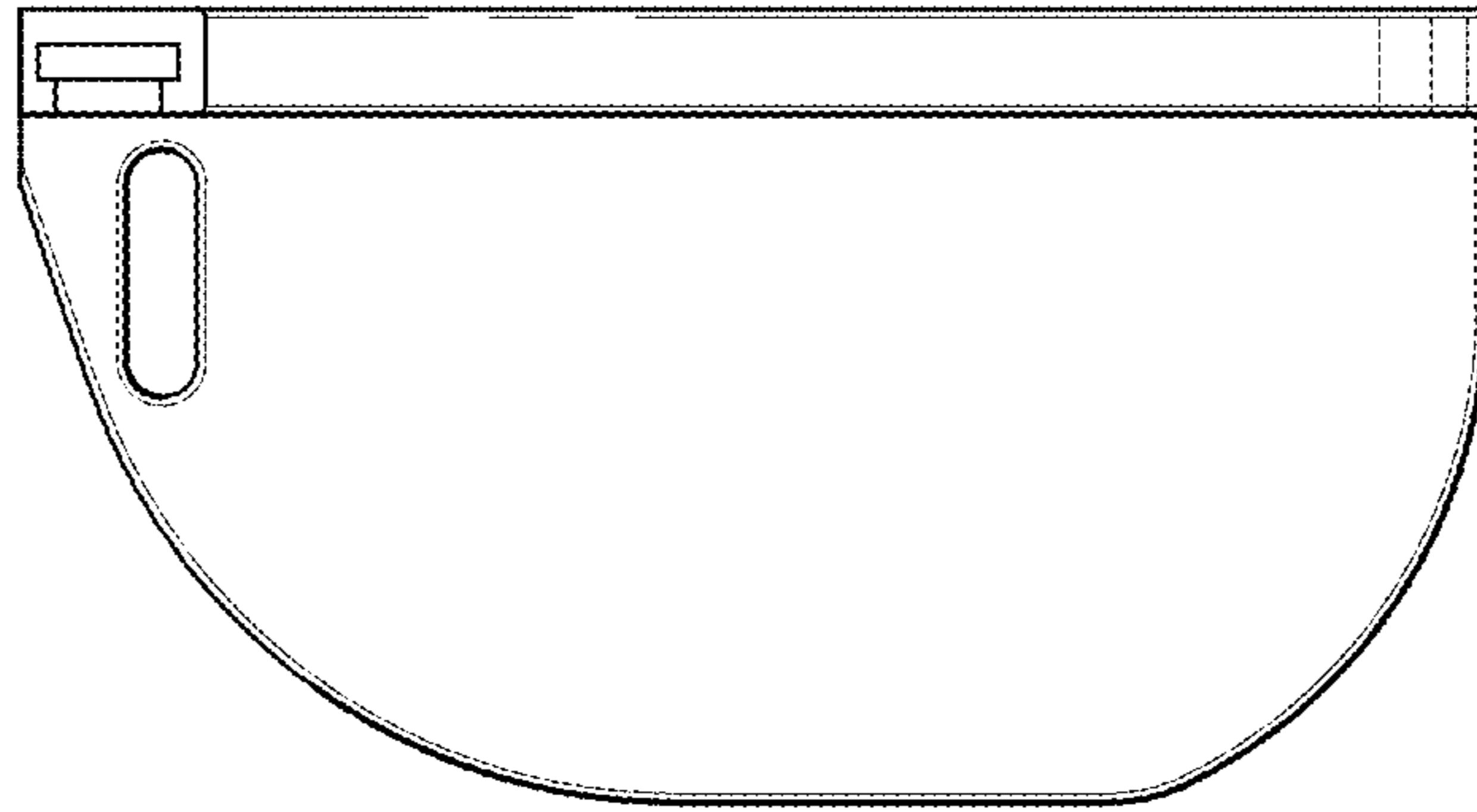


FIG. 3

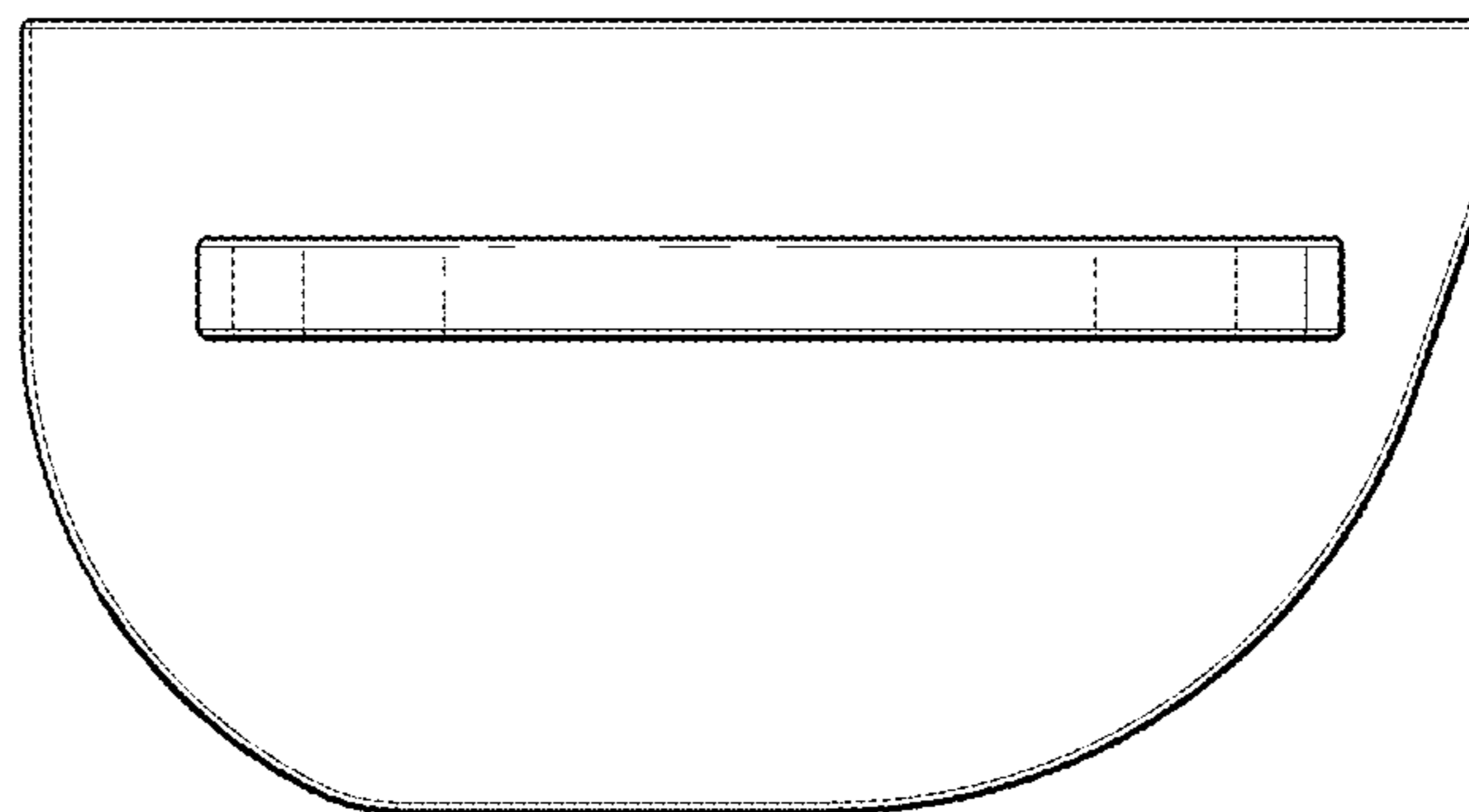


FIG. 4

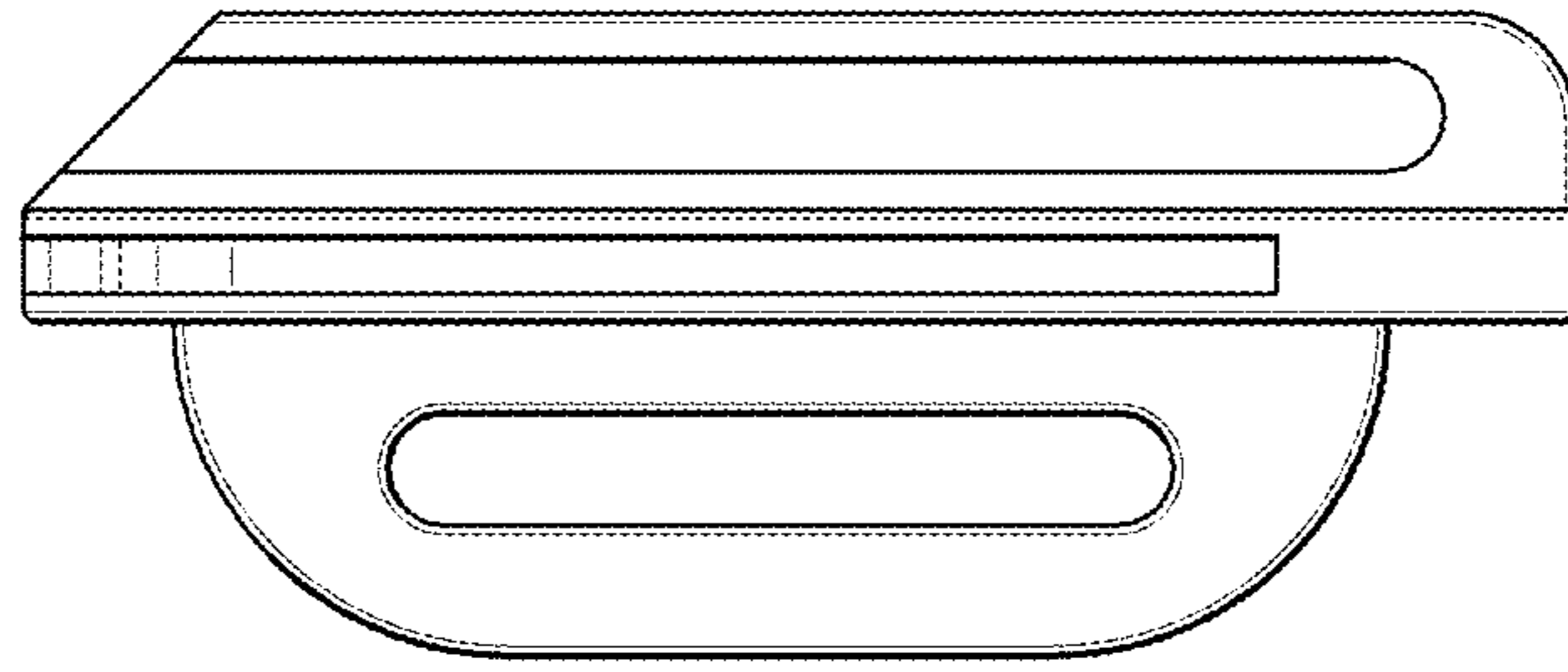


FIG. 5

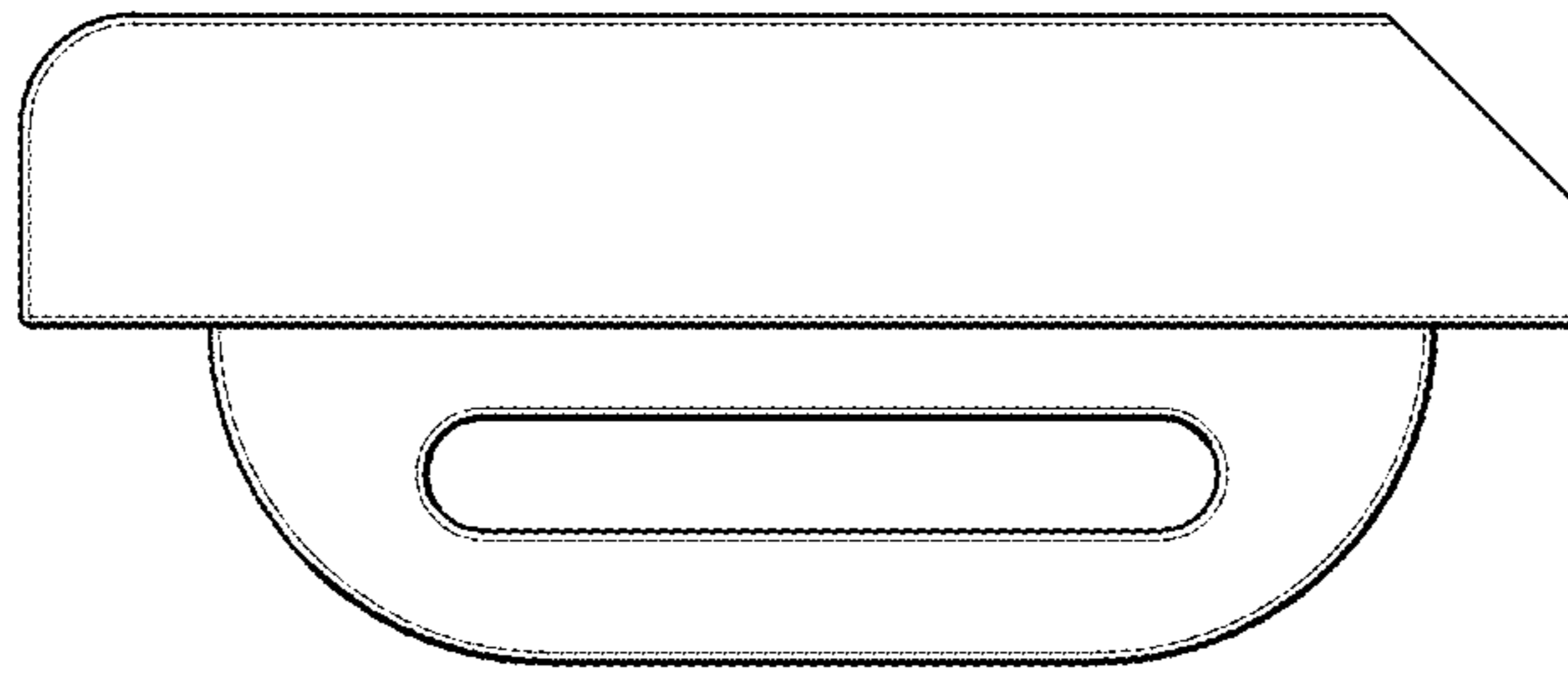


FIG. 6

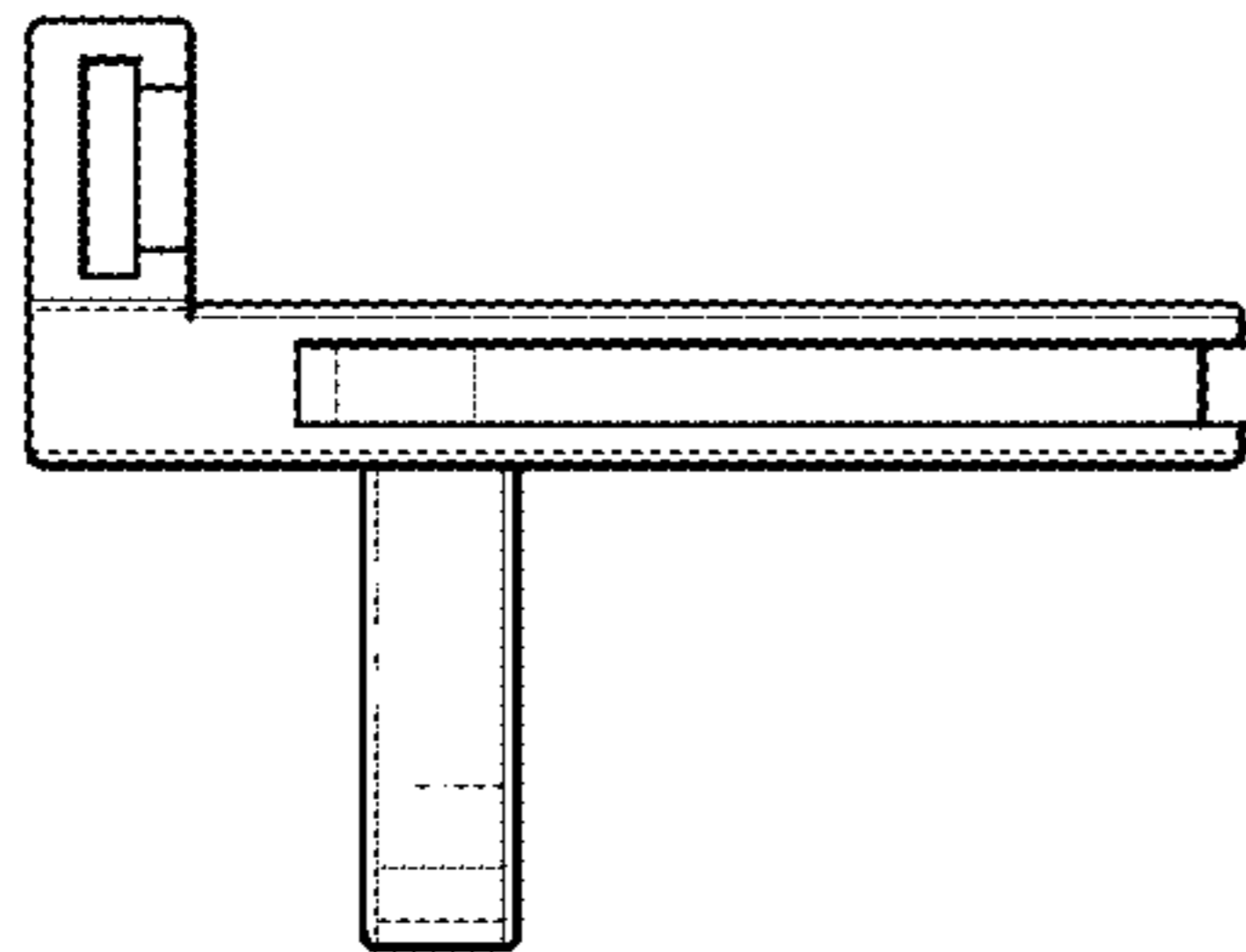


FIG. 7

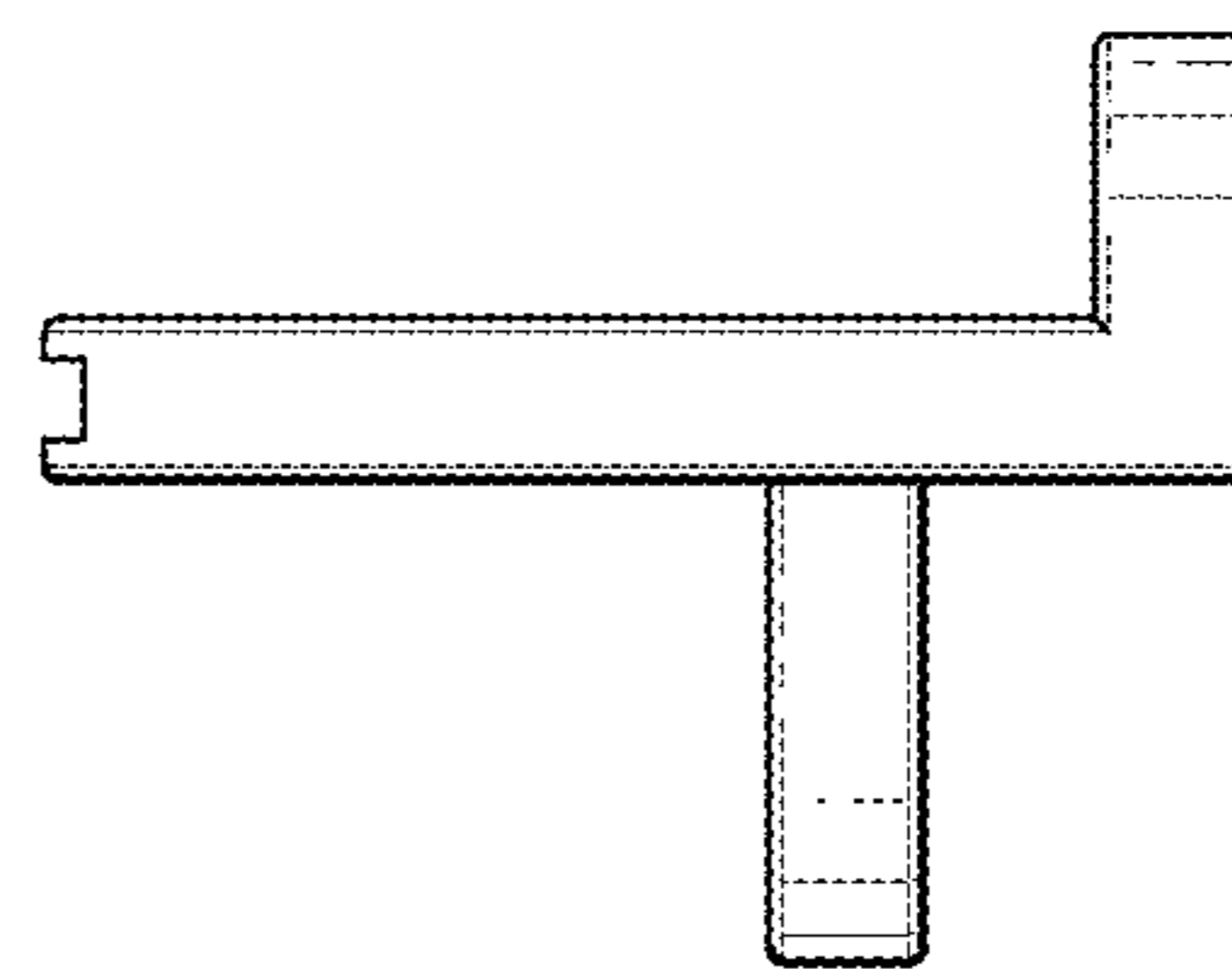


FIG. 8