



US00D907206S

(12) **United States Design Patent**  
**Ganty et al.**

(10) **Patent No.:** **US D907,206 S**  
(45) **Date of Patent:** **\*\* Jan. 5, 2021**

(54) **NEUROSTIMULATION LEAD**

(71) Applicant: **GTX medical B.V.**, Eindhoven (NL)  
(72) Inventors: **Damien Ganty**, Eindhoven (NL);  
**Egbertus Bakker**, Wijk en Aalburg (NL); **Jacobus Deckers**, Waalre (NL);  
**Edoardo Paoles**, Eindhoven (NL); **Vincent Delattre**, Echichens (CH);  
**Jocelyne Bloch**, Paudex (CH); **Grégoire Courtine**, Lausanne (CH);  
**Marco Capogrosso**, Lausanne (CH); **Fabien Wagner**, Lausanne (CH);  
**Nathan Greiner**, Lausanne (CH); **Karen Minassian**, Vienna (AT)

(73) Assignee: **GTX MEDICAL B.V.**, Eindhoven (NL)

(\*\*) Term: **15 Years**

(21) Appl. No.: **29/671,743**

(22) Filed: **Nov. 29, 2018**

(30) **Foreign Application Priority Data**

May 30, 2018 (EM) ..... 005288917-0001

(51) **LOC (13) Cl.** ..... **24-03**

(52) **U.S. Cl.**  
USPC ..... **D24/155**

(58) **Field of Classification Search**  
USPC ..... D24/155  
CPC ..... A61N 1/05  
See application file for complete search history.

(56) **References Cited**

U.S. PATENT DOCUMENTS

D615,659	S	*	5/2010	Anderson	.....	D24/187
D624,188	S	*	9/2010	Crawford	.....	D24/133
D637,297	S	*	5/2011	Erickson	.....	D24/155
D638,130	S	*	5/2011	Erickson	.....	D24/155
D644,738	S	*	9/2011	Regan	.....	D24/187
D854,690	S	*	7/2019	Sun	.....	D24/158
2007/0179579	A1	*	8/2007	Feler	.....	A61N 1/0553 607/117

\* cited by examiner

*Primary Examiner* — Charles D Hanson

(74) *Attorney, Agent, or Firm* — McCoy Russell LLP

(57) **CLAIM**

The ornamental design for a neurostimulation lead, as shown and described.

**DESCRIPTION**

FIG. 1 is a front view of a neurostimulation lead, according to the present disclosure.

FIG. 2 is a left side view of the neurostimulation lead of FIG. 1.

FIG. 3 is a rear view of the neurostimulation lead of FIG. 1.

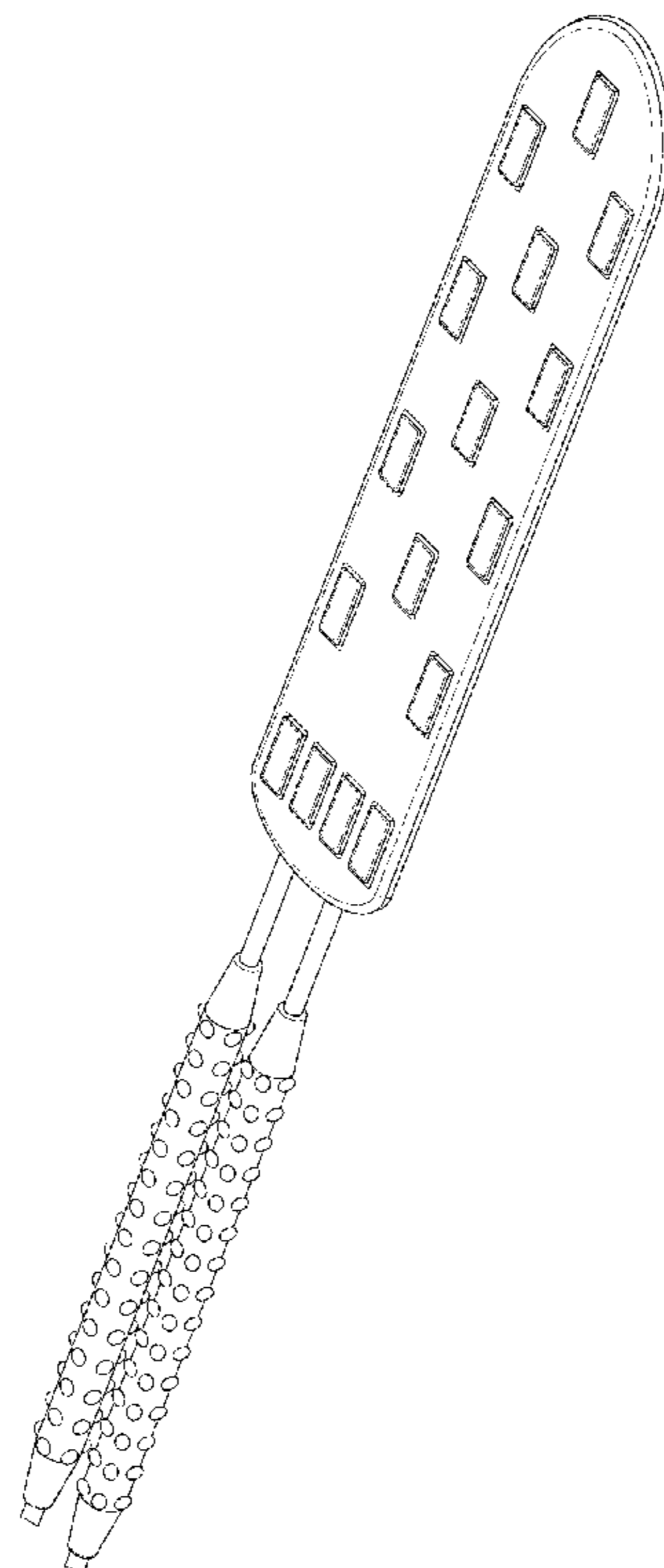
FIG. 4 is a top view of the neurostimulation lead of FIG. 1.

FIG. 5 is a bottom view of the neurostimulation lead of FIG. 1.

FIG. 6 is a reference perspective front view of the inductor of FIG. 1; and,

FIG. 7 is a reference perspective rear view of the inductor of FIG. 1.

**1 Claim, 7 Drawing Sheets**



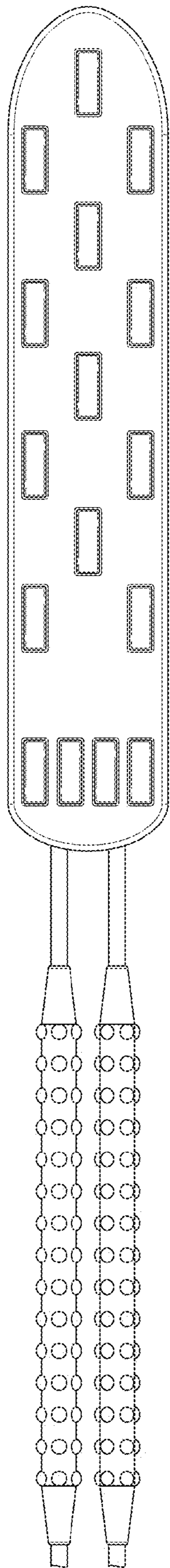


Fig. 1

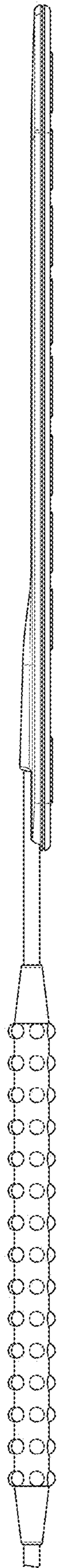


Fig. 2

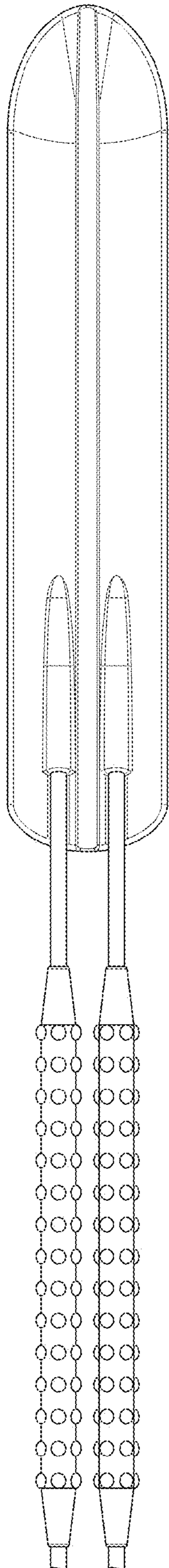


Fig. 3

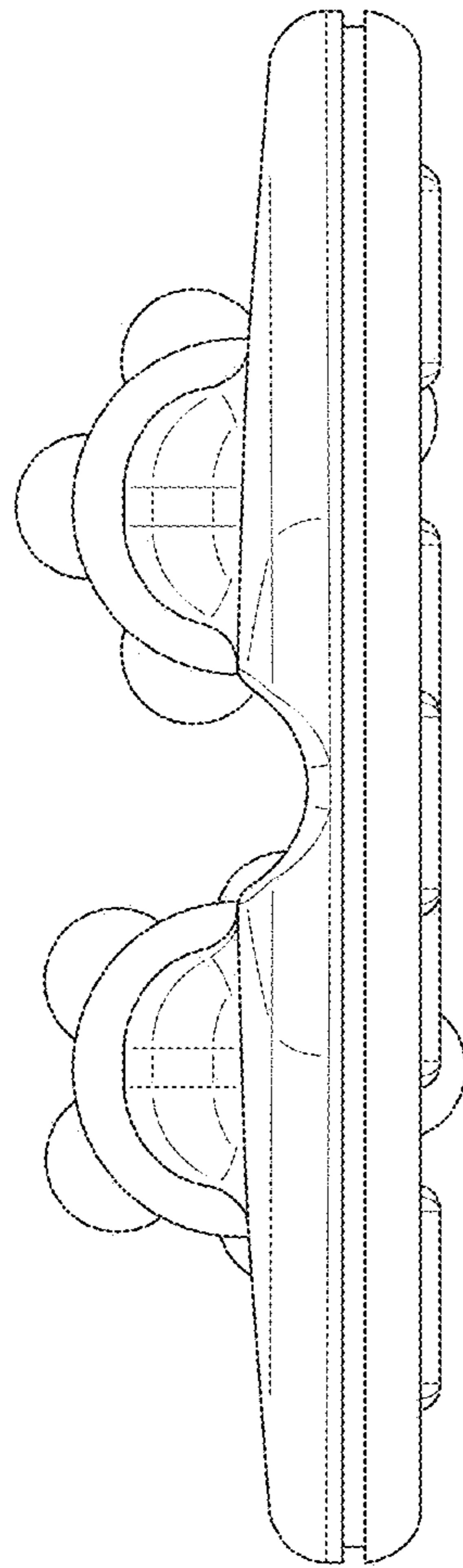


Fig. 4

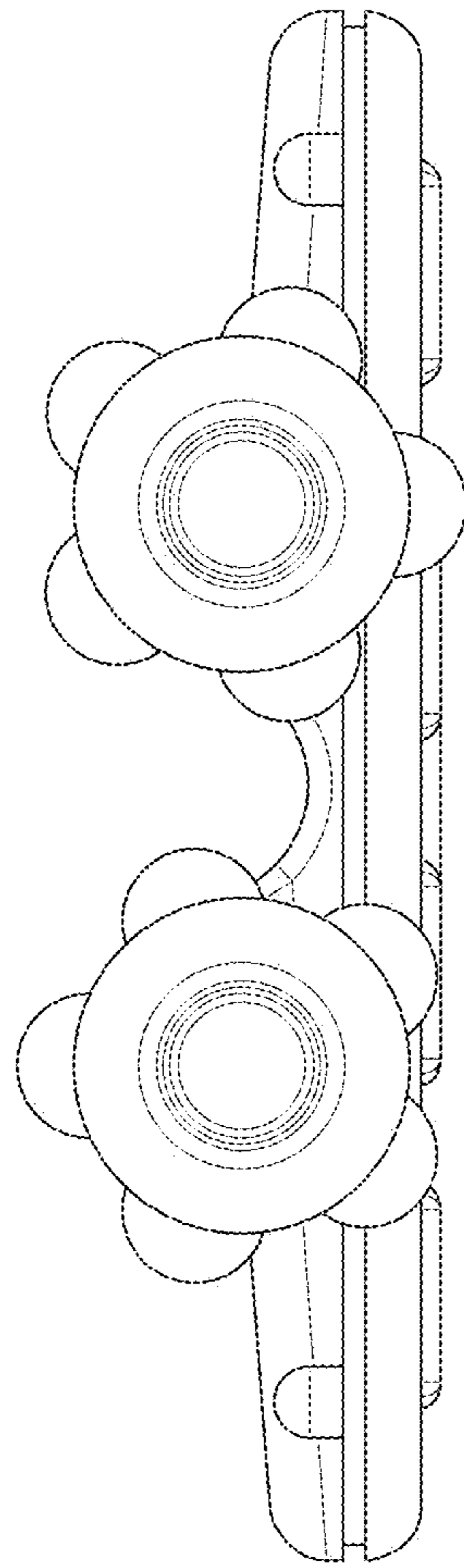


Fig. 5

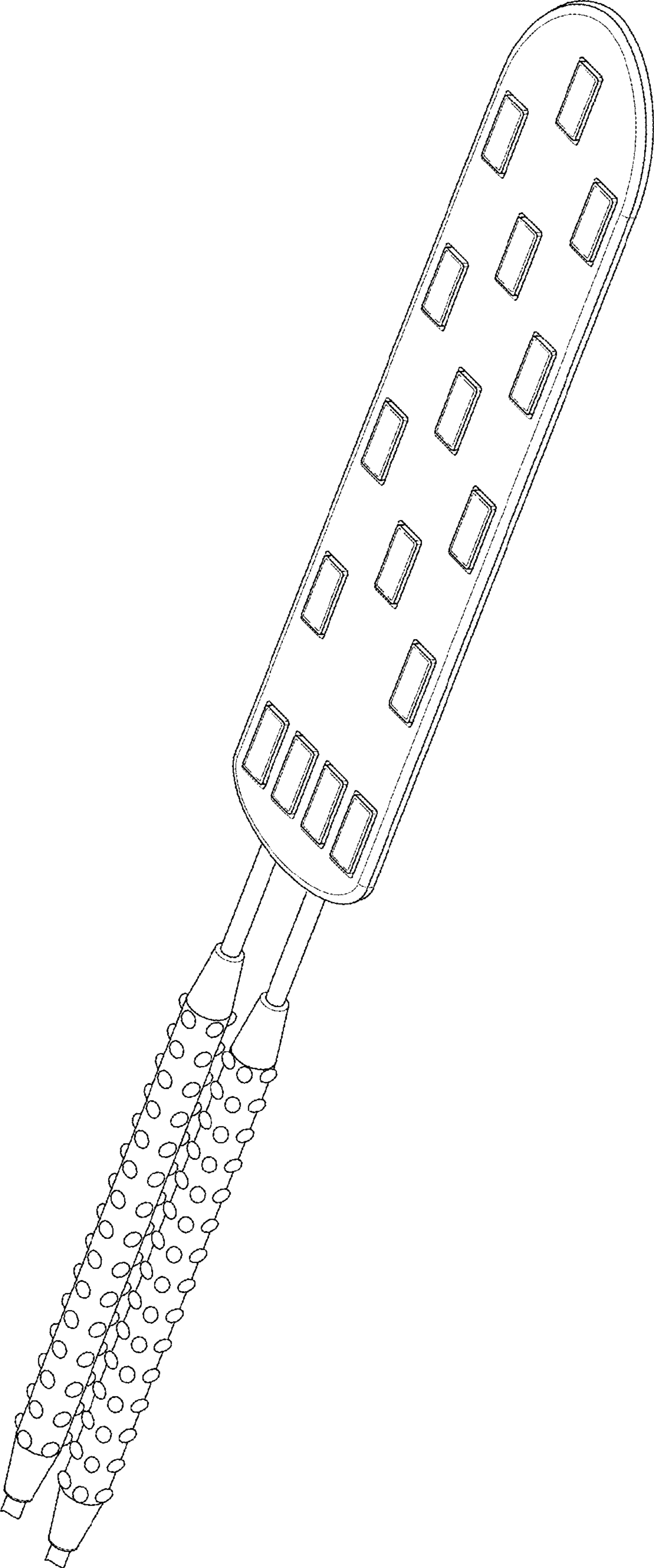


Fig. 6

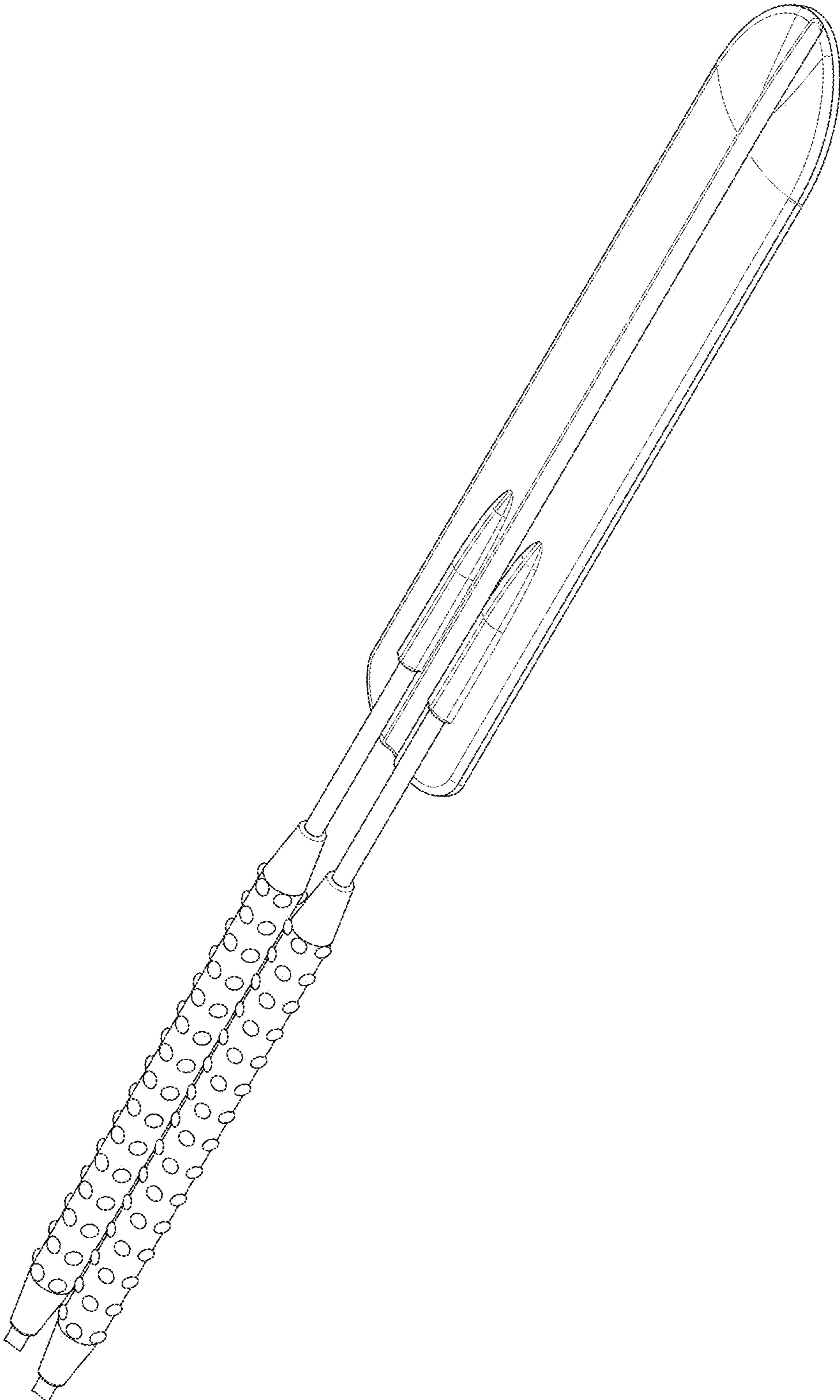


Fig. 7