



US00D907204S

(12) **United States Design Patent**  
**Pilletere et al.**

(10) **Patent No.:** **US D907,204 S**  
(45) **Date of Patent:** **\*\* Jan. 5, 2021**

(54) **LIGATION CLIP**  
(71) Applicant: **Covidien LP**, Mansfield, MA (US)  
(72) Inventors: **Roy J. Pilletere**, North Haven, CT (US); **Justin Thomas**, New Haven, CT (US); **Matthew A. Dinino**, Newington, CT (US); **Saumya Banerjee**, Hamden, CT (US); **Gregory R. Morck**, Haddam, CT (US); **Eric Brown**, Haddam, CT (US)

4,390,019 A 6/1983 LeVeen et al.  
4,412,617 A 11/1983 Cerwin  
4,418,694 A 12/1983 Beroff et al.  
4,449,531 A 5/1984 Cerwin et al.  
4,485,953 A 12/1984 Rothfuss  
4,487,205 A 12/1984 Di Giovanni et al.  
4,550,729 A 11/1985 Cerwin et al.  
4,696,396 A 9/1987 Samuels

(Continued)

**FOREIGN PATENT DOCUMENTS**

BE 654195 A 2/1965  
CN 204839635 U 12/2015

(Continued)

*Primary Examiner* — Wan Laymon

(74) *Attorney, Agent, or Firm* — Carter, DeLuca & Farrell LLP

(73) Assignee: **Covidien LP**, Mansfield, MA (US)

(\*\*) Term: **15 Years**

(21) Appl. No.: **29/700,496**

(22) Filed: **Aug. 2, 2019**

(51) **LOC (13) Cl.** ..... **24-02**

(52) **U.S. Cl.**  
USPC ..... **D24/143**

(58) **Field of Classification Search**  
USPC ..... D24/143, 142, 133; 606/157-158  
CPC . A61B 17/122; A61B 17/1285; A61B 17/128;  
A61B 17/0487; A61B 17/083; A61B  
2017/1225

See application file for complete search history.

(56) **References Cited**

**U.S. PATENT DOCUMENTS**

3,439,523 A 4/1969 Wood  
3,713,533 A 1/1973 Reimels  
4,076,120 A 2/1978 Carroll et al.  
4,146,130 A 3/1979 Samuels et al.  
4,187,712 A 2/1980 Samuels et al.  
4,212,303 A 7/1980 Nolan  
4,212,390 A 7/1980 Raczkowski et al.  
4,294,355 A 10/1981 Jewusiak et al.  
4,344,531 A 8/1982 Giersch  
4,346,869 A 8/1982 MacNeill  
4,361,229 A 11/1982 Mericle

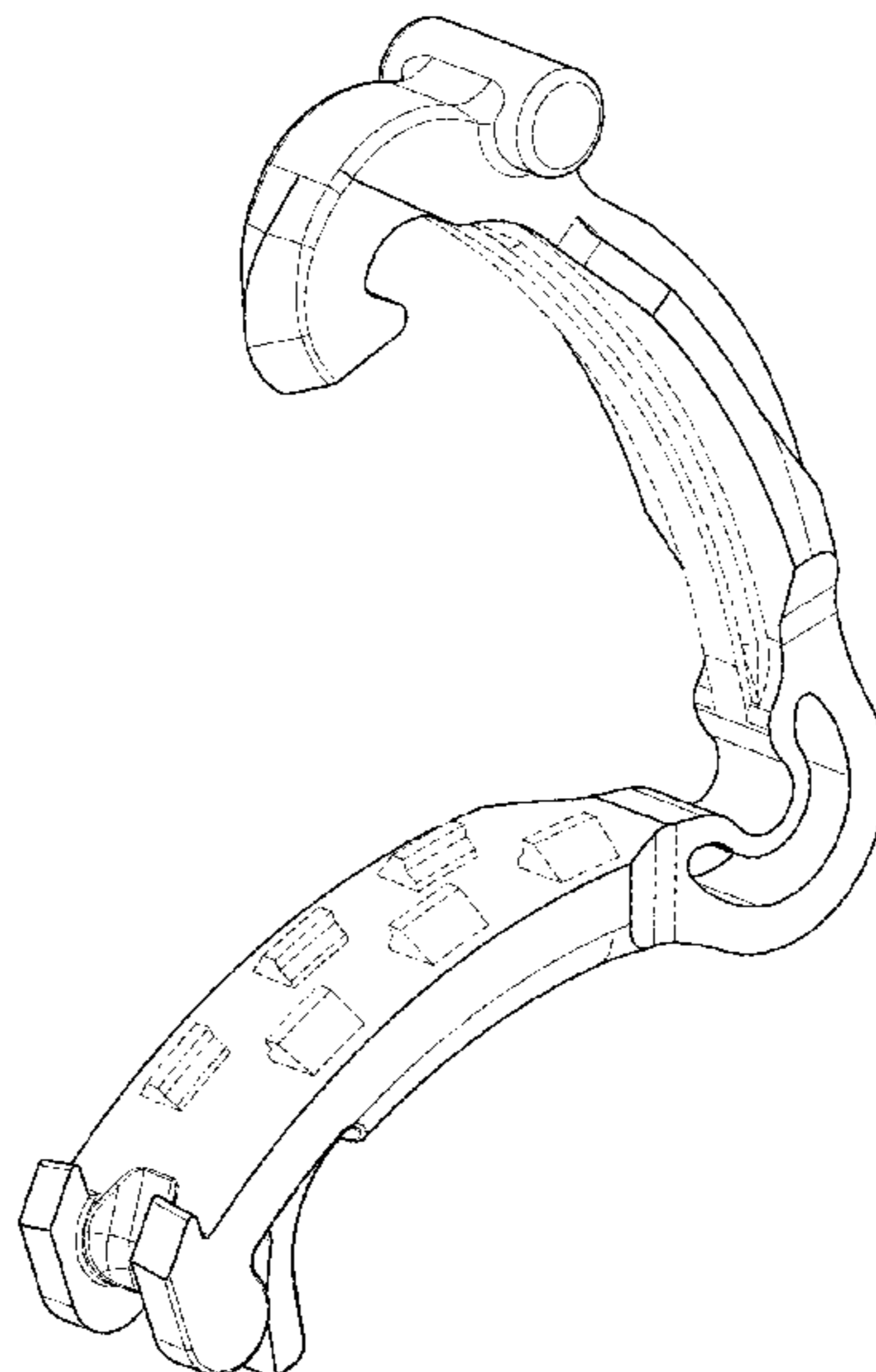
(57) **CLAIM**

The ornamental design for a ligation clip, as shown and described.

**DESCRIPTION**

FIG. 1 is a side perspective view of the ligation clip in accordance with an exemplary embodiment of the design; FIG. 2 is a right side view of the ligation clip shown in FIG. 1; FIG. 3 is a bottom view of the ligation clip shown in FIG. 1; FIG. 4 is a top view of the ligation clip shown in FIG. 1; FIG. 5 is a left side view of the ligation clip shown in FIG. 1; FIG. 6 is a front view of the ligation clip shown in FIG. 1; and, FIG. 7 is a rear view of the ligation clip shown in FIG. 1. The broken lines shown in the figures are included for the purpose of illustrating portions of the ligation clip and form no part of the claimed design.

**1 Claim, 4 Drawing Sheets**



(56)

References Cited

U.S. PATENT DOCUMENTS

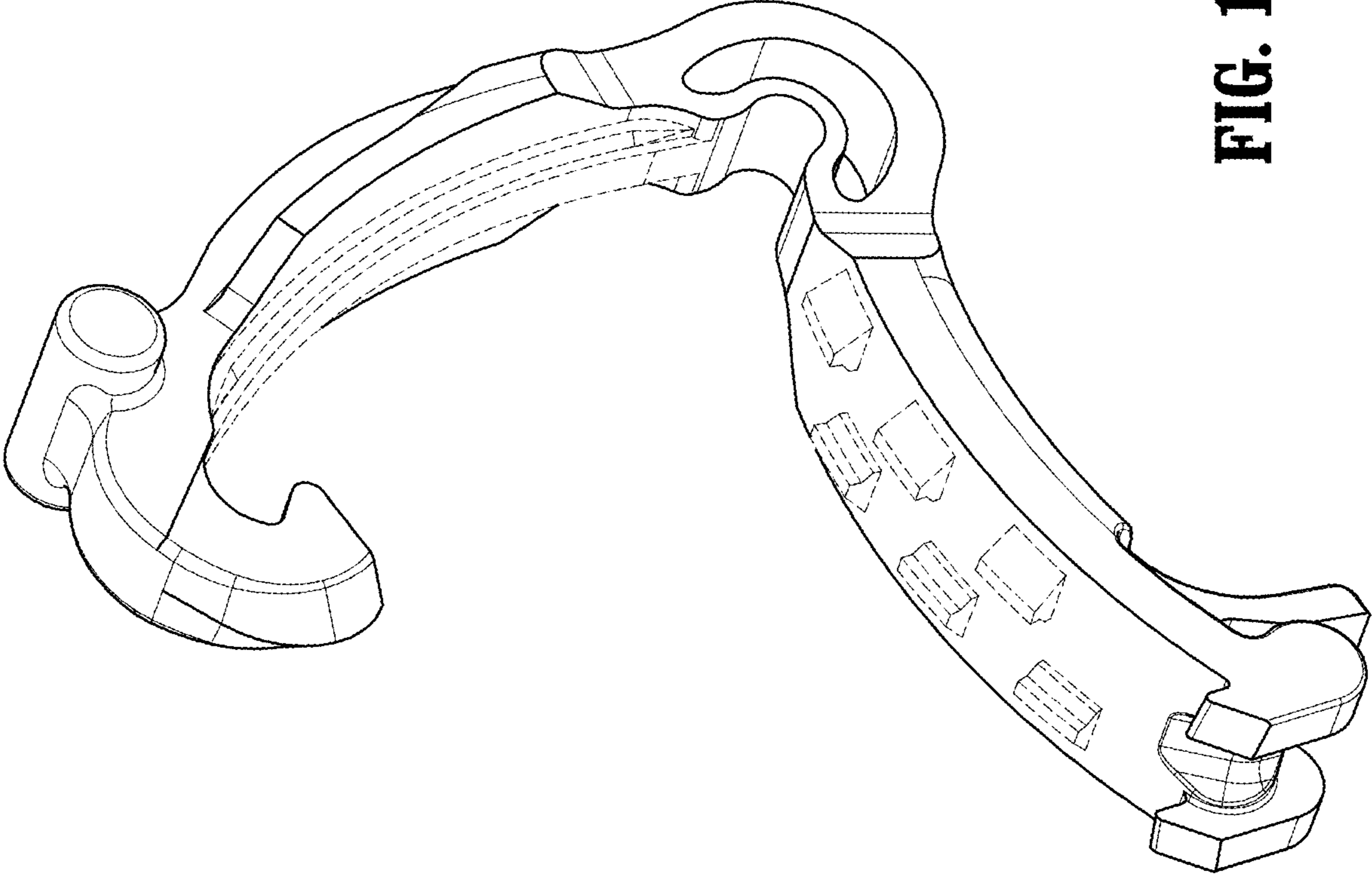
4,726,372 A 2/1988 Perlin  
 4,834,096 A 5/1989 Oh et al.  
 4,936,447 A 6/1990 Peiffer  
 4,942,886 A 7/1990 Timmons  
 4,961,499 A 10/1990 Kulp  
 4,971,198 A 11/1990 Mericle  
 4,972,949 A 11/1990 Peiffer  
 5,046,611 A 9/1991 Oh  
 5,046,624 A 9/1991 Murphy et al.  
 5,050,272 A 9/1991 Robinson et al.  
 5,062,846 A 11/1991 Oh et al.  
 5,100,416 A 3/1992 Oh et al.  
 5,201,416 A 4/1993 Taylor  
 5,279,416 A 1/1994 Malec et al.  
 5,423,831 A 6/1995 Nates  
 5,564,262 A 10/1996 Bevis et al.  
 5,634,930 A 6/1997 Thornton et al.  
 5,676,676 A 10/1997 Porter  
 5,697,942 A 12/1997 Palti  
 5,713,912 A 2/1998 Porter  
 5,846,255 A 12/1998 Casey  
 5,908,430 A 6/1999 Appleby  
 5,921,991 A 7/1999 Whitehead et al.  
 6,044,971 A 4/2000 Esposito et al.  
 6,158,583 A 12/2000 Forster  
 6,217,590 B1 4/2001 Levinson  
 6,228,097 B1 5/2001 Levinson et al.  
 6,273,253 B1 8/2001 Forster et al.  
 6,306,150 B1 10/2001 Levinson  
 6,349,727 B1 2/2002 Stewart, Jr.  
 6,391,035 B1 5/2002 Appleby et al.  
 6,419,682 B1 7/2002 Appleby et al.  
 6,421,920 B1 7/2002 Jensen  
 6,439,727 B1 8/2002 Koide  
 6,460,700 B2 10/2002 Weisshaupt  
 6,460,749 B1 10/2002 Levinson et al.  
 6,780,195 B2 8/2004 Porat  
 6,824,547 B2 11/2004 Wilson, Jr. et al.  
 6,863,675 B2 3/2005 Wilson, Jr.  
 6,880,699 B2 4/2005 Gallagher  
 7,001,412 B2 2/2006 Gallagher et al.  
 7,052,504 B2 5/2006 Hughett  
 7,131,977 B2 11/2006 Fowler  
 7,144,402 B2 12/2006 Kuester, III  
 7,211,091 B2 5/2007 Fowler et al.  
 7,211,092 B2 5/2007 Hughett  
 7,316,696 B2 1/2008 Wilson, Jr. et al.  
 7,326,223 B2 2/2008 Wilson, Jr.  
 7,452,368 B2 11/2008 Liberatore et al.  
 7,585,304 B2 9/2009 Hughett  
 7,628,272 B2 12/2009 Wiedenbein  
 7,857,129 B2 12/2010 Iaconi-Forrer et al.  
 8,042,687 B2 10/2011 Cannady  
 8,312,992 B2 11/2012 Disch  
 8,403,138 B2 3/2013 Weisshaupt et al.  
 8,425,515 B2 4/2013 Gamache et al.  
 8,627,955 B2 1/2014 Weisshaupt et al.  
 8,839,954 B2 9/2014 Disch  
 8,888,398 B2 11/2014 Werth  
 9,271,737 B2 3/2016 Castro et al.  
 9,282,972 B1 3/2016 Patel et al.  
 9,445,820 B2 9/2016 Whiting  
 9,456,824 B2 10/2016 Willett et al.

9,480,480 B2 11/2016 Santini et al.  
 9,486,225 B2 11/2016 Michler et al.  
 9,517,178 B2 12/2016 Chancibot  
 D808,522 S 1/2018 Cannady et al.  
 9,855,053 B2\* 1/2018 Bagaoisan ..... A61B 17/122  
 10,130,373 B2 11/2018 Castro et al.  
 10,136,898 B2 11/2018 Schmidt et al.  
 D838,847 S\* 1/2019 Zhang ..... D24/143  
 10,265,079 B2\* 4/2019 Brodaczewski ..... A61B 17/122  
 2002/0046961 A1 4/2002 Levinson et al.  
 2002/0177863 A1 11/2002 Mandel et al.  
 2004/0059359 A1\* 3/2004 Wilson, Jr. .... A61B 17/122  
 606/157  
 2004/0199178 A1 10/2004 Small  
 2005/0165422 A1\* 7/2005 Wilson, Jr. .... A61B 17/122  
 606/151  
 2005/0165423 A1 7/2005 Gallagher et al.  
 2005/0165424 A1 7/2005 Gallagher et al.  
 2006/0089659 A1 4/2006 Small  
 2006/0124485 A1 6/2006 Kennedy  
 2006/0217749 A1 9/2006 Wilson et al.  
 2007/0083218 A1 4/2007 Morris  
 2007/0118161 A1 5/2007 Kennedy et al.  
 2007/0149988 A1 6/2007 Michler et al.  
 2007/0149989 A1 6/2007 Santilli et al.  
 2009/0088783 A1 4/2009 Kennedy et al.  
 2009/0171380 A1 7/2009 Whiting  
 2011/0224700 A1 9/2011 Schmidt et al.  
 2011/0295291 A1 12/2011 Trivisani  
 2012/0083803 A1 4/2012 Patel et al.  
 2012/0226291 A1 9/2012 Malizia et al.  
 2013/0245651 A1 9/2013 Schmidt et al.  
 2013/0253540 A1 9/2013 Castro et al.  
 2013/0261642 A1 10/2013 Willett et al.  
 2014/0054192 A1 2/2014 Chancibot  
 2014/0243862 A1 8/2014 Bagaoisan et al.  
 2014/0276970 A1 9/2014 Messerly et al.  
 2016/0151073 A1 6/2016 Castro et al.  
 2016/0354089 A1 12/2016 Whiting  
 2017/0020530 A1 1/2017 Willett et al.  
 2017/0027576 A1 2/2017 Castro  
 2017/0209151 A1 7/2017 Brown  
 2017/0238935 A1 8/2017 Shi  
 2017/0252042 A1 9/2017 Kethman et al.  
 2017/0311954 A1\* 11/2017 Brodaczewski ..... A61B 17/122  
 2018/0036008 A1 2/2018 Ramsey et al.  
 2018/0168659 A1 6/2018 Bagaoisan et al.  
 2018/0185029 A1 7/2018 Lebens, III  
 2018/0228492 A1 8/2018 Aranyi et al.  
 2018/0271527 A1 9/2018 Shellenberger  
 2018/0271532 A1 9/2018 Shellenberger  
 2018/0271535 A1 9/2018 Shellenberger et al.  
 2018/0271536 A1 9/2018 Shellenberger et al.  
 2019/0133590 A1 5/2019 Richard  
 2019/0159782 A1 5/2019 Kamaraj et al.  
 2019/0223874 A1 7/2019 Pilletere et al.  
 2019/0314031 A1\* 10/2019 Thomas ..... A61B 17/122  
 2019/0321047 A1\* 10/2019 Thomas ..... A61B 17/122  
 2020/0046359 A1\* 2/2020 Thomas ..... A61B 17/122

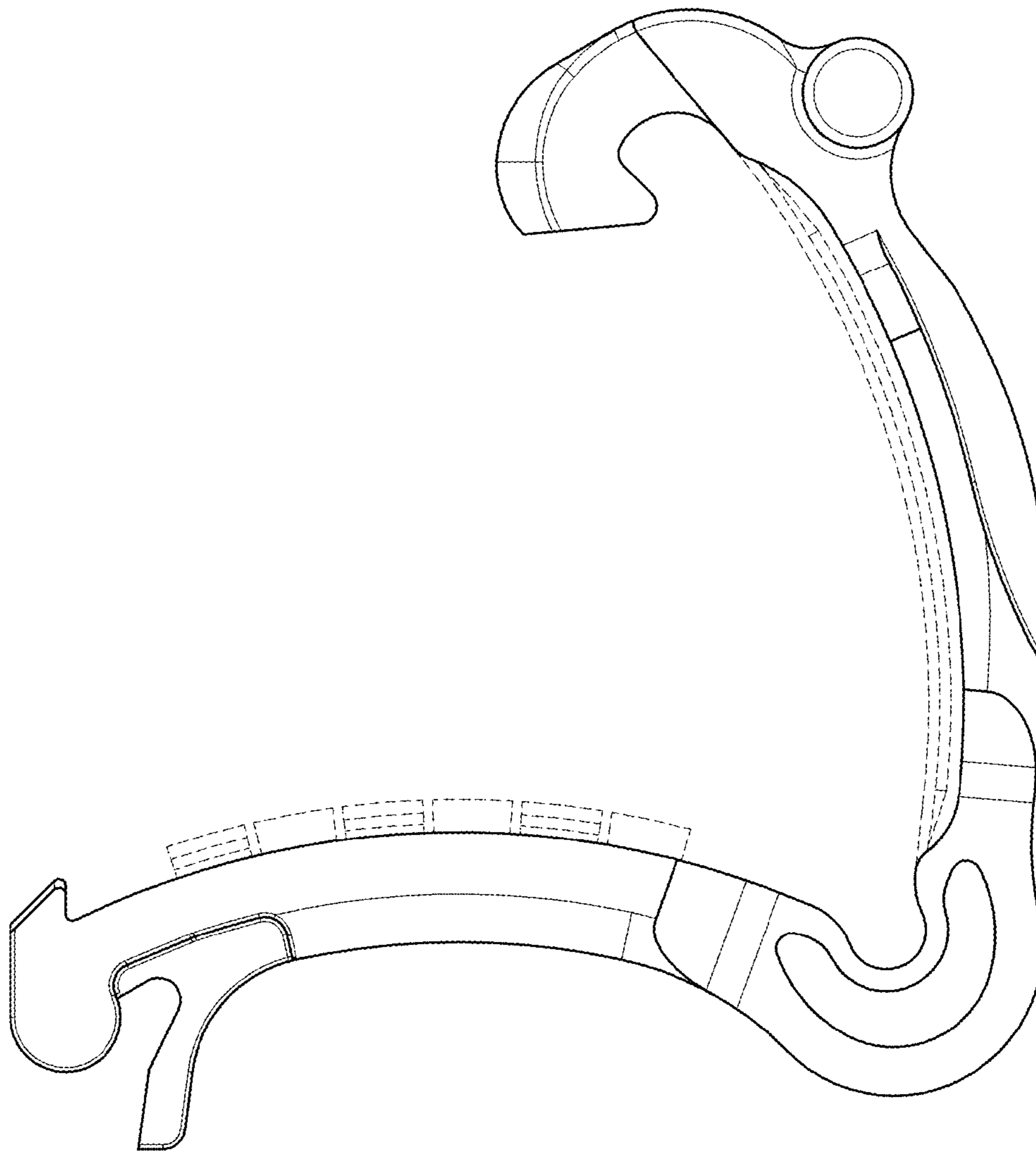
FOREIGN PATENT DOCUMENTS

CN 106264647 A 1/2017  
 DE 10116168 A1 11/2001  
 GB 2353710 A 3/2001

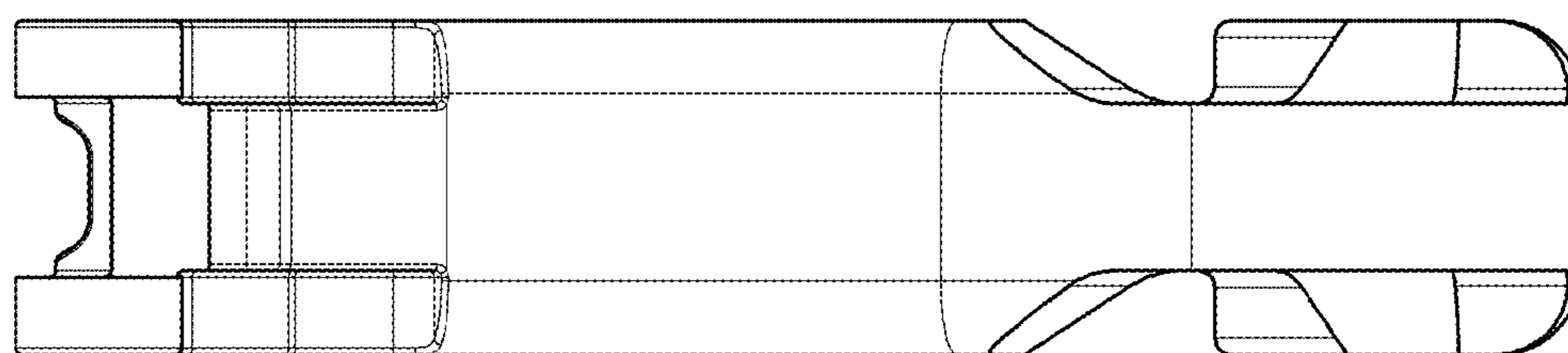
\* cited by examiner



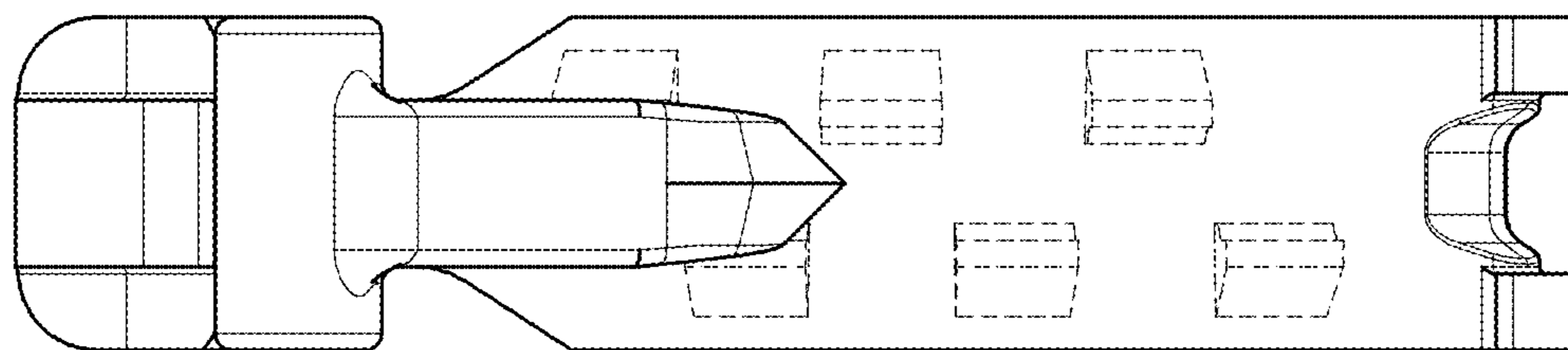
**FIG. 1**



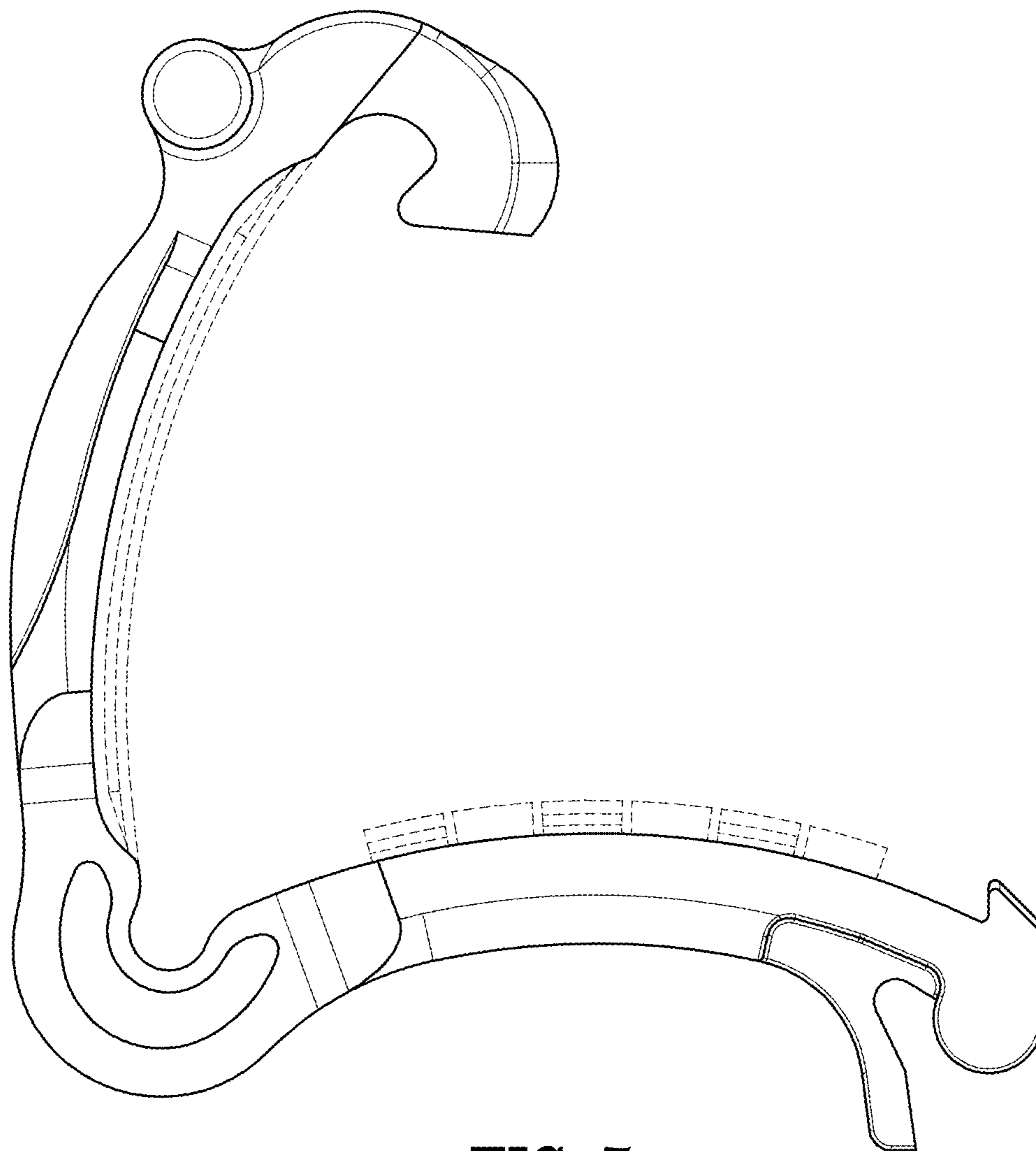
**FIG. 2**



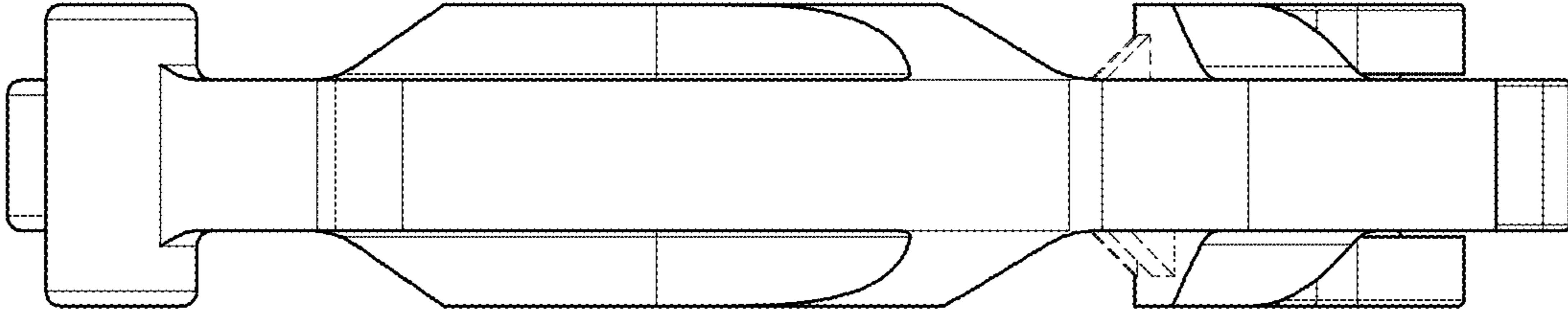
**FIG. 3**



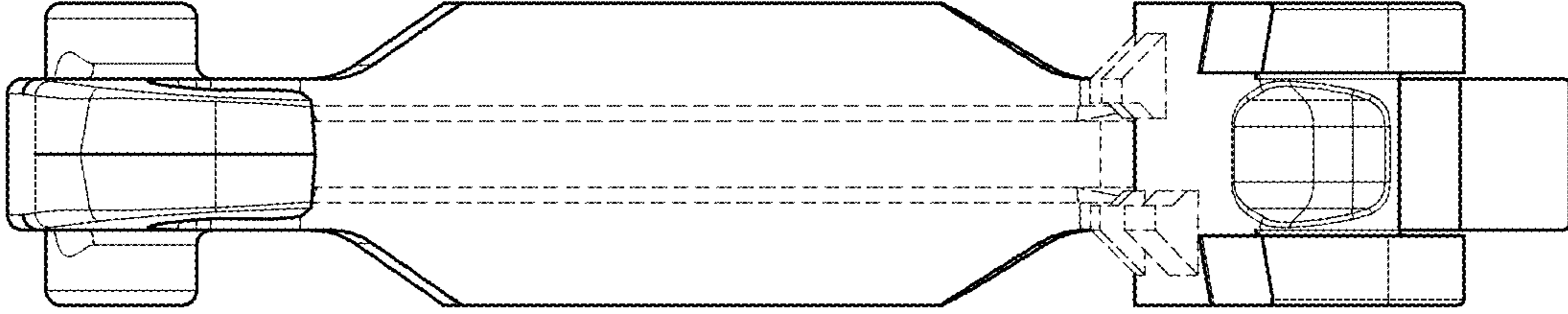
**FIG. 4**



**FIG. 5**



**FIG. 7**



**FIG. 6**