



US00D907202S

(12) **United States Design Patent**
Thuente et al.

(10) **Patent No.:** **US D907,202 S**
(45) **Date of Patent:** **** Jan. 5, 2021**

(54) **SURGICAL INSTRUMENT HANDLE**

(71) Applicant: **Scanlan International, Inc.**, St. Paul, MN (US)

(72) Inventors: **Mark P. Thuente**, St. Paul, MN (US); **Rhonda L. Hambleton**, Blaine, MN (US); **Patrick J. Lowe**, Forest Lake, MN (US); **Russel T. Scanlan**, St. Paul, MN (US)

(73) Assignee: **Scanlan International, Inc.**, St. Paul, MN (US)

(**) Term: **15 Years**

(21) Appl. No.: **29/677,909**

(22) Filed: **Jan. 24, 2019**

Related U.S. Application Data

(63) Continuation-in-part of application No. 15/880,205, filed on Jan. 25, 2018.

(51) **LOC (13) Cl.** **24-02**

(52) **U.S. Cl.**
USPC **D24/143**

(58) **Field of Classification Search**
USPC D24/143, 147, 133; D28/55
CPC B25B 9/02; A61B 17/29; A61B 17/2909; A61B 17/30; A61B 2017/305
See application file for complete search history.

(56) **References Cited**

U.S. PATENT DOCUMENTS

2,070,798 A	2/1937	Mason	
3,349,772 A	10/1967	Rygg	
3,934,915 A	1/1976	Humpa	
4,634,165 A *	1/1987	Russell B25B 9/02 294/99.2
4,793,349 A *	12/1988	Weinrib A61B 17/30 D24/145

4,800,880 A	1/1989	Catalano	
4,852,929 A	8/1989	Shafir	
5,015,252 A	5/1991	Jones	
D341,886 S *	11/1993	Stolte D24/143
D355,455 S *	2/1995	Stolte D24/143
D369,215 S *	4/1996	Blake D24/143
5,509,923 A	4/1996	Middleman et al.	
D370,730 S *	6/1996	Blake D24/143
6,096,059 A	8/2000	Kuzma	

(Continued)

FOREIGN PATENT DOCUMENTS

EP 3135227 A2 3/2017

OTHER PUBLICATIONS

“Scanlan Legacy High Precision Titanium Instruments,” Scanlan Product Brochure, 2012, 2 pages.

(Continued)

Primary Examiner — Wan Laymon

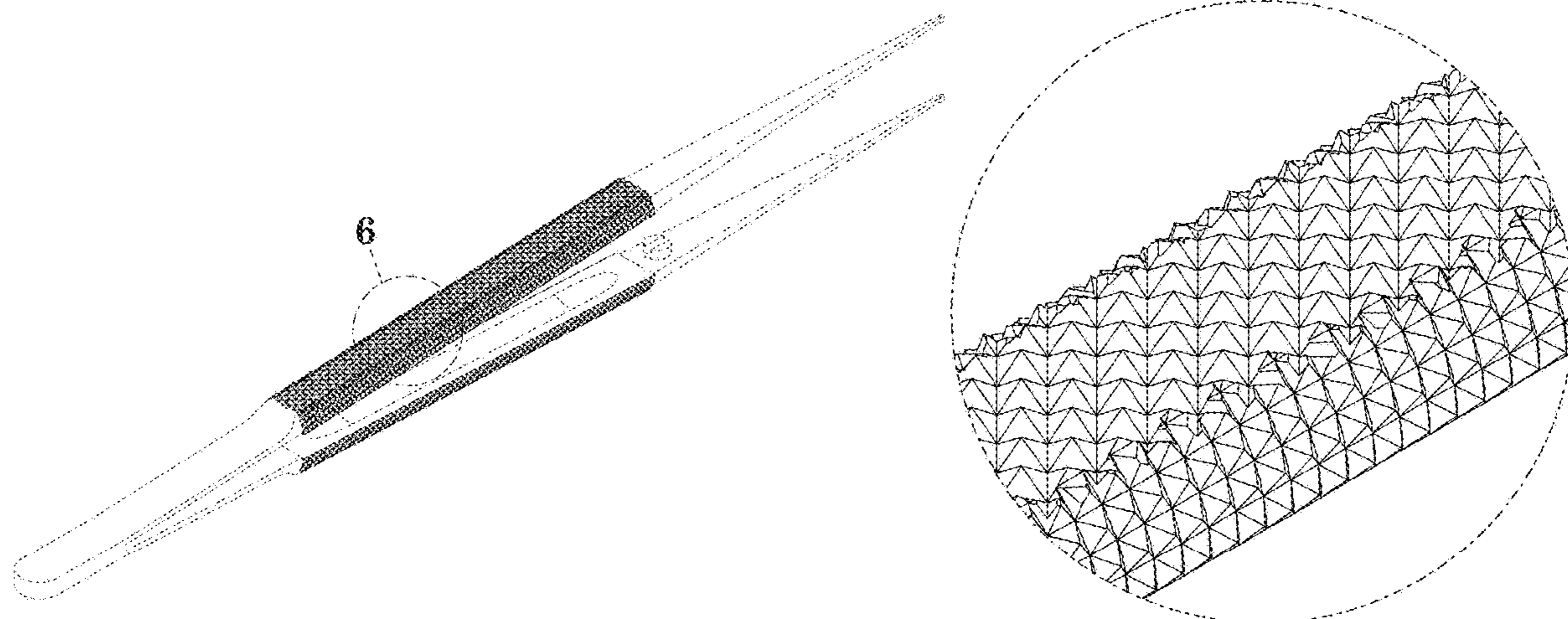
(57) **CLAIM**

The ornamental design for a surgical instrument handle, as shown and described.

DESCRIPTION

FIG. 1 is a perspective view of a surgical instrument handle, illustrating our new design;
FIG. 2 is a first side elevation view thereof;
FIG. 3 is a second side elevation view thereof;
FIG. 4 is a top plan view thereof;
FIG. 5 is bottom plan view thereof; and,
FIG. 6 is a detail view thereof within line 6 of FIG. 1.
The broken lines in the drawings illustrate optional environmental features that form no part of the claimed design.
The broken lines in the drawings illustrate optional environmental features that form no part of the claimed design.

1 Claim, 6 Drawing Sheets



(56)

References Cited

U.S. PATENT DOCUMENTS

6,322,578	B1	11/2001	Houle et al.	
6,616,683	B1	9/2003	Toth et al.	
7,011,628	B2	3/2006	LiDonnici	
8,147,512	B1	4/2012	Puskas et al.	
9,572,561	B2	2/2017	Puskas et al.	
10,092,282	B2	10/2018	Puskas et al.	
2005/0033324	A1*	2/2005	Phan	A61B 17/30 606/148
2008/0215054	A1	9/2008	Wright	
2009/0240281	A1	9/2009	Andre	
2011/0015669	A1	1/2011	Corcosteugi	
2012/0029531	A1	2/2012	Lin	
2014/0051936	A1	2/2014	Newcomb et al.	
2014/0172010	A1	6/2014	Vezzu	
2014/0200576	A1	7/2014	Scheller et al.	
2014/0300121	A1	10/2014	Schryver	
2015/0005814	A1	1/2015	Boldt	
2015/0238355	A1	8/2015	Vezzu et al.	
2015/0305762	A1	10/2015	Dunn	
2016/0151083	A1	6/2016	Mottola et al.	
2016/0279766	A1	9/2016	Hussain et al.	
2016/0361079	A1*	12/2016	Storz	A61B 17/29
2016/0374324	A1	12/2016	Constantine et al.	
2017/0014976	A1	1/2017	Shahpurwala et al.	
2017/0028582	A1	2/2017	Campbell	
2017/0281295	A1	10/2017	Abt	
2019/0046354	A1	2/2019	Easley et al.	
2019/0223897	A1	7/2019	Thuente et al.	

OTHER PUBLICATIONS

International Search Report and Written Opinion issued in PCT/
US2019/014540, dated Mar. 15, 2019, 15 pages.

* cited by examiner

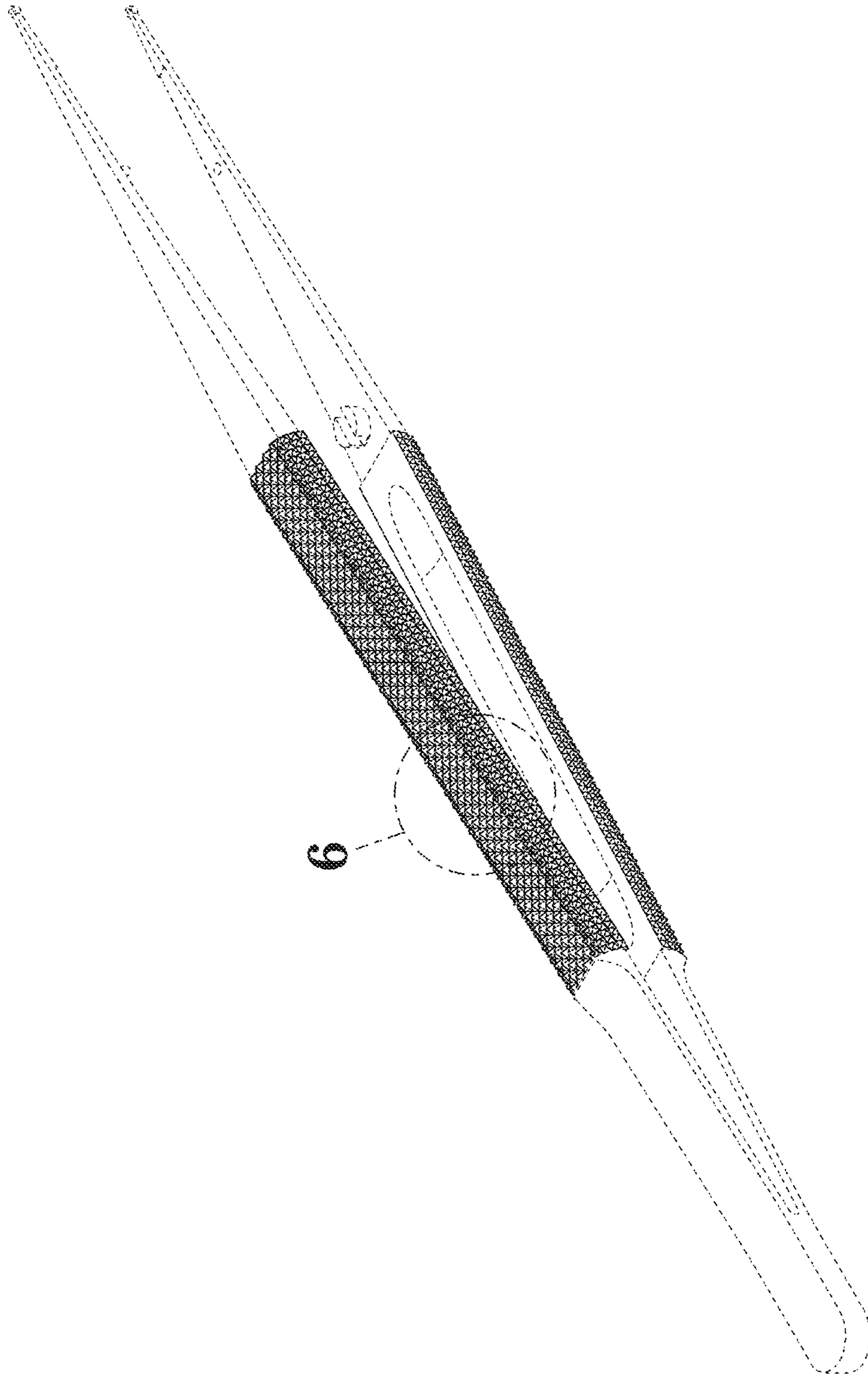


FIG. 1

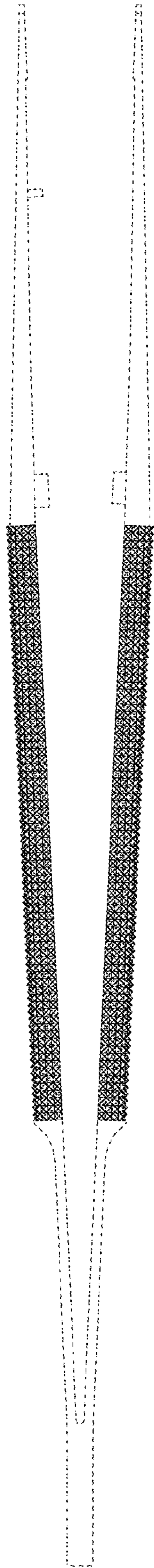


FIG. 2

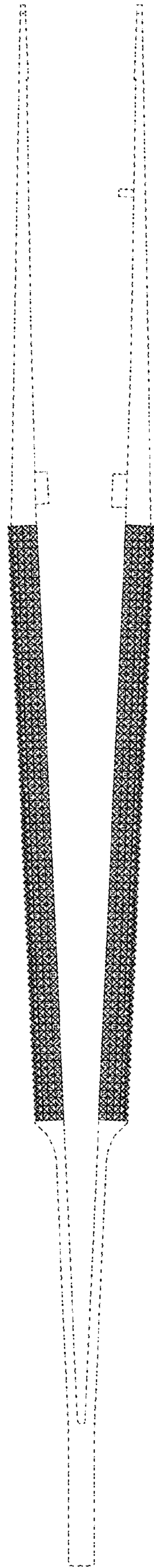


FIG. 3

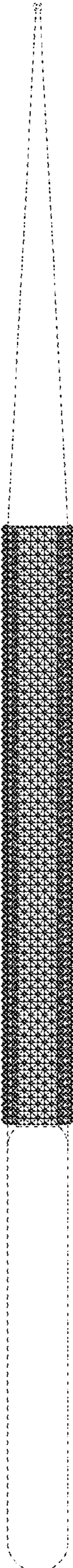


FIG. 4

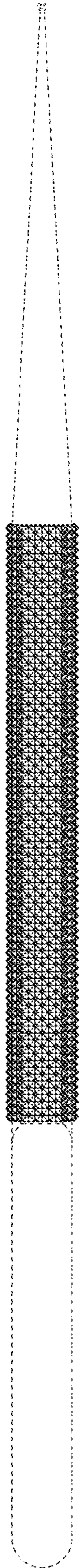


FIG. 5

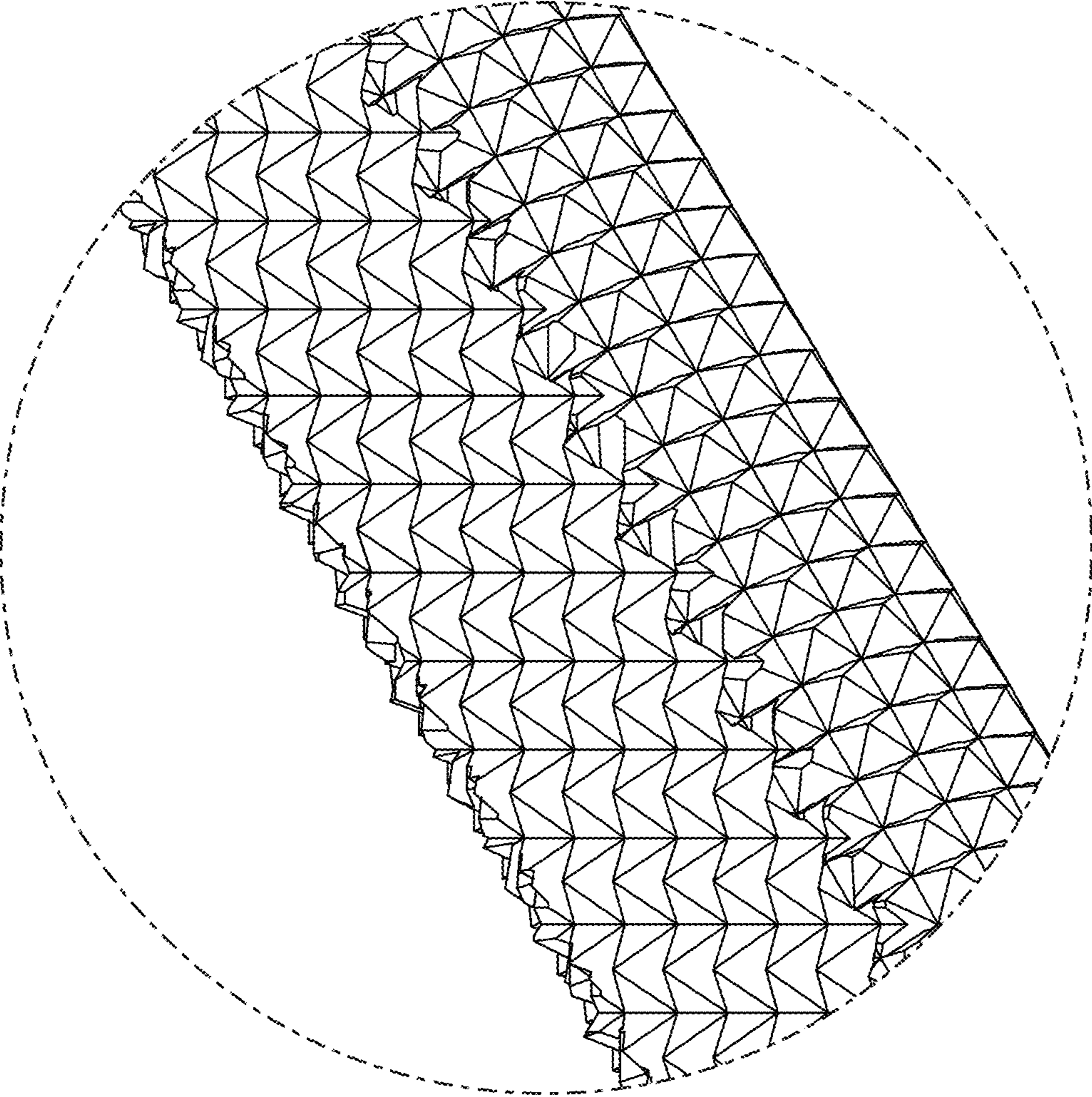


FIG. 6