



US00D907200S

(12) **United States Design Patent** (10) **Patent No.:** **US D907,200 S**
Baril et al. (45) **Date of Patent:** **** Jan. 5, 2021**

(54) **LIGATION CLIP**
(71) Applicant: **Covidien LP**, Mansfield, MA (US)
(72) Inventors: **Jacob C. Baril**, Norwalk, CT (US);
Justin Thomas, New Haven, CT (US);
Roy J. Pilletere, North Haven, CT (US);
Matthew A. Dinino, Newington, CT (US)
(73) Assignee: **Covidien LP**, Mansfield, MA (US)

4,212,390 A 7/1980 Raczkowski et al.
4,294,355 A 10/1981 Jewusiak et al.
4,344,531 A 8/1982 Giersch
4,346,869 A 8/1982 MacNeill
4,361,229 A 11/1982 Mericle
4,390,019 A 6/1983 LeVeen et al.
4,412,617 A 11/1983 Cerwin
4,418,694 A 12/1983 Beroff et al.
D272,479 S * 1/1984 Van Roeyen 294/99.2
4,449,531 A 5/1984 Cerwin et al.
4,485,953 A 12/1984 Rothfuss
4,487,205 A 12/1984 Di Giovanni et al.

(Continued)

(**) Term: **15 Years**

FOREIGN PATENT DOCUMENTS

(21) Appl. No.: **29/700,698**

BE 654195 A 2/1965
CN 204839635 U 12/2015

(22) Filed: **Aug. 5, 2019**

(Continued)

(51) **LOC (13) Cl.** **24-02**

Primary Examiner — Nathan M Johnston

(52) **U.S. Cl.**
USPC **D24/128**

(74) *Attorney, Agent, or Firm* — Carter, DeLuca & Farrell LLP

(58) **Field of Classification Search**
USPC D8/71-74, 394-399, 59; 248/63, 72,
248/74.1, 689, 124.2; 81/487, 385, 386,
81/388-390; 269/3, 4, 6, 143, 165, 240,
269/243, 246-249, 254 R, 147-149;
29/256, 257, 276; 408/103, 104-109;
D24/128, 133, 143, 129, 135
CPC A61B 17/122; A61B 17/1227; A61B
2017/00526; A61B 17/1222
See application file for complete search history.

(57) **CLAIM**

The ornamental design for a ligation clip, as shown and described.

DESCRIPTION

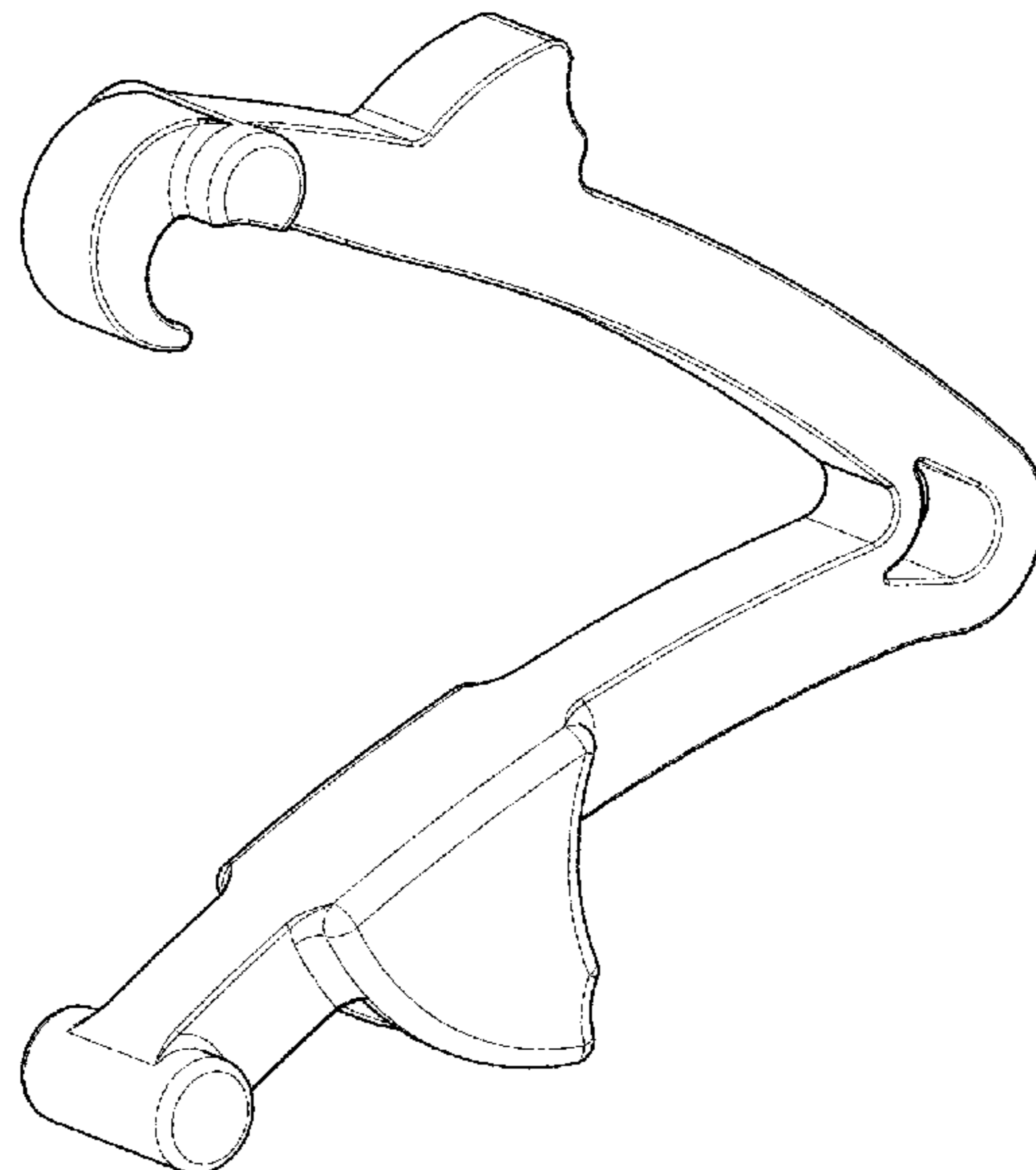
FIG. 1 is a side perspective view of the ligation clip in accordance with an exemplary embodiment of the design; FIG. 2 is a right side view of the ligation clip shown in FIG. 1; FIG. 3 is a bottom view of the ligation clip shown in FIG. 1; FIG. 4 is a top view of the ligation clip shown in FIG. 1; FIG. 5 is a left side view of the ligation clip shown in FIG. 1; FIG. 6 is a front view of the ligation clip shown in FIG. 1; and, FIG. 7 is a rear view of the ligation clip shown in FIG. 1.

(56) **References Cited**

U.S. PATENT DOCUMENTS

3,367,336 A * 2/1968 Eizenberg A61B 17/30
606/210
3,439,523 A 4/1969 Wood
3,713,533 A 1/1973 Reimels
4,076,120 A 2/1978 Carroll et al.
4,146,130 A 3/1979 Samuels et al.
4,187,712 A 2/1980 Samuels et al.
4,212,303 A 7/1980 Nolan

1 Claim, 4 Drawing Sheets



(56)

References Cited

U.S. PATENT DOCUMENTS

4,550,729 A 11/1985 Cerwin et al.
 D284,810 S * 7/1986 Kelemen, Sr. D3/315
 4,696,396 A 9/1987 Samuels
 4,726,372 A 2/1988 Perlin
 4,834,096 A 5/1989 Oh et al.
 4,936,447 A 6/1990 Peiffer
 4,942,886 A 7/1990 Timmons
 4,961,499 A 10/1990 Kulp
 4,971,198 A 11/1990 Mericle
 4,972,949 A 11/1990 Peiffer
 5,046,611 A 9/1991 Oh
 5,046,624 A 9/1991 Murphy et al.
 5,050,272 A 9/1991 Robinson et al.
 5,062,846 A 11/1991 Oh et al.
 5,100,416 A 3/1992 Oh et al.
 5,201,416 A 4/1993 Taylor
 5,279,416 A 1/1994 Malec et al.
 5,330,442 A * 7/1994 Green A61B 17/0487
 606/151
 D351,123 S * 10/1994 Graham D12/51
 5,423,831 A 6/1995 Nates
 5,564,262 A 10/1996 Bevis et al.
 5,634,930 A 6/1997 Thornton et al.
 D384,459 S * 9/1997 Eisenman D28/39
 5,676,676 A 10/1997 Porter
 5,697,942 A 12/1997 Palti
 5,713,911 A * 2/1998 Racenet A61B 17/122
 606/151
 5,713,912 A 2/1998 Porter
 5,846,255 A 12/1998 Casey
 5,908,430 A 6/1999 Appleby
 5,921,991 A 7/1999 Whitehead et al.
 6,044,971 A 4/2000 Esposito et al.
 6,158,583 A 12/2000 Forster
 6,217,590 B1 4/2001 Levinson
 6,228,097 B1 5/2001 Levinson et al.
 6,273,253 B1 8/2001 Forster et al.
 6,306,150 B1 10/2001 Levinson
 6,349,727 B1 2/2002 Stewart, Jr.
 6,391,035 B1 5/2002 Appleby et al.
 6,419,682 B1 7/2002 Appleby et al.
 6,421,920 B1 7/2002 Jensen
 6,439,727 B1 8/2002 Koide
 6,460,700 B2 10/2002 Weisshaupt
 6,460,749 B1 10/2002 Levinson et al.
 D472,457 S * 4/2003 Fenton D8/394
 6,780,195 B2 8/2004 Porat
 6,824,547 B2 11/2004 Wilson, Jr. et al.
 6,863,675 B2 3/2005 Wilson, Jr.
 6,880,699 B2 4/2005 Gallagher
 7,001,412 B2 2/2006 Gallagher et al.
 D517,884 S * 3/2006 Ellingwood D24/133
 D518,687 S * 4/2006 Baker D24/143
 7,052,504 B2 5/2006 Hughett
 7,131,977 B2 11/2006 Fowler
 7,144,402 B2 12/2006 Kuester
 7,211,091 B2 5/2007 Fowler et al.
 7,211,092 B2 5/2007 Hughett
 7,316,696 B2 1/2008 Wilson, Jr. et al.
 7,326,223 B2 2/2008 Wilson, Jr.
 7,452,368 B2 11/2008 Liberatore et al.
 7,585,304 B2 9/2009 Hughett
 7,628,272 B2 12/2009 Wiedenbein
 D608,189 S * 1/2010 Jackson D8/395
 7,857,129 B2 12/2010 Laconi-Forrer et al.
 D642,678 S * 8/2011 Dockstader D24/133
 8,042,687 B2 10/2011 Cannady
 8,312,992 B2 11/2012 Disch
 D673,032 S * 12/2012 Tak D8/395
 8,403,138 B2 3/2013 Weisshaupt et al.
 8,425,515 B2 4/2013 Gamache et al.
 8,627,955 B2 1/2014 Weisshaupt et al.

8,839,954 B2 9/2014 Disch
 8,888,398 B2 11/2014 Werth
 9,271,737 B2 3/2016 Castro et al.
 9,282,972 B1 3/2016 Patel
 D767,761 S * 9/2016 Babb D24/143
 9,445,820 B2 9/2016 Whiting
 D768,855 S * 10/2016 McMillan D24/143
 9,456,824 B2 10/2016 Willett et al.
 9,480,480 B2 11/2016 Santilli et al.
 9,486,225 B2 11/2016 Michler et al.
 9,517,178 B2 12/2016 Chancibot
 D796,039 S * 8/2017 McMillan D24/143
 D808,522 S 1/2018 Cannady et al.
 9,855,053 B2 1/2018 Bagaoisan et al.
 D810,848 S * 2/2018 Claesson D21/692
 D814,027 S * 3/2018 Lenna D24/133
 D831,763 S * 10/2018 Assad D21/692
 10,130,373 B2 11/2018 Castro et al.
 10,136,898 B2 11/2018 Schmidt et al.
 D838,847 S * 1/2019 Zhang D24/143
 D861,472 S * 10/2019 Sillitoe D8/394
 D877,604 S * 3/2020 Sillitoe D8/394
 2002/0046961 A1 4/2002 Levinson et al.
 2002/0177863 A1 11/2002 Mandel et al.
 2004/0199178 A1 10/2004 Small
 2005/0165423 A1 7/2005 Gallagher et al.
 2005/0165424 A1 7/2005 Gallagher et al.
 2006/0089659 A1 4/2006 Small
 2006/0124485 A1 6/2006 Kennedy
 2006/0217749 A1 9/2006 Wilson et al.
 2007/0083218 A1 4/2007 Morris
 2007/0118161 A1 5/2007 Kennedy et al.
 2007/0149988 A1 6/2007 Michler et al.
 2007/0149989 A1 6/2007 Santilli et al.
 2009/0088783 A1 4/2009 Kennedy et al.
 2009/0171380 A1 7/2009 Whiting
 2011/0224700 A1 9/2011 Schmidt et al.
 2011/0295291 A1 12/2011 Trivisani
 2012/0083803 A1 4/2012 Patel
 2012/0226291 A1 9/2012 Malizia et al.
 2013/0245651 A1 9/2013 Schmidt et al.
 2013/0253540 A1 9/2013 Castro
 2013/0261642 A1 10/2013 Willett et al.
 2014/0054192 A1 2/2014 Chancibot
 2014/0243862 A1 8/2014 Bagaoisan et al.
 2014/0276970 A1 9/2014 Messerly et al.
 2016/0151073 A1 6/2016 Castro et al.
 2016/0354089 A1 12/2016 Whiting
 2017/0020530 A1 1/2017 Willett et al.
 2017/0027576 A1 2/2017 Castro
 2017/0209151 A1 7/2017 Brown
 2017/0238935 A1 8/2017 Shi
 2017/0252042 A1 9/2017 Kethman et al.
 2018/0036008 A1 2/2018 Ramsey et al.
 2018/0168659 A1 6/2018 Bagaoisan et al.
 2018/0185029 A1 7/2018 Lebens, III
 2018/0228492 A1 8/2018 Aranyi
 2018/0271527 A1 9/2018 Shellenberger
 2018/0271532 A1 9/2018 Shellenberger
 2018/0271535 A1 9/2018 Shellenberger et al.
 2018/0271536 A1 9/2018 Shellenberger et al.
 2019/0133590 A1 5/2019 Richard
 2019/0159782 A1 5/2019 Kamaraj et al.
 2019/0223874 A1 7/2019 Pilletere et al.
 2019/0314026 A1 * 10/2019 Thomas A61B 17/122
 2019/0314031 A1 * 10/2019 Thomas A61B 17/1227
 2019/0321047 A1 * 10/2019 Thomas A61B 17/122
 2020/0046359 A1 * 2/2020 Thomas A61B 17/122

FOREIGN PATENT DOCUMENTS

CN 106264647 A 1/2017
 DE 10116168 A1 11/2001
 GB 2353710 A 3/2001

* cited by examiner

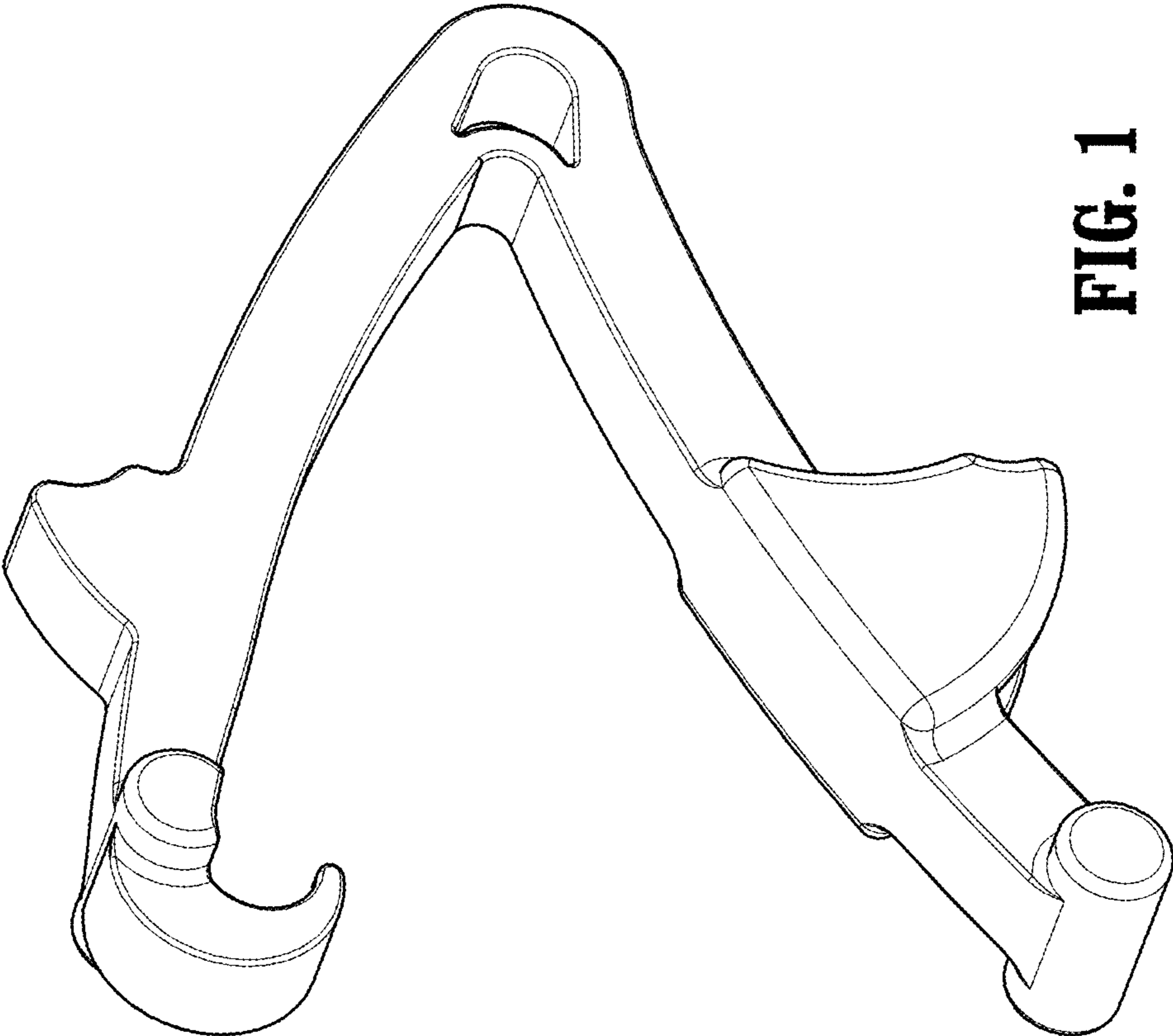


FIG. 1

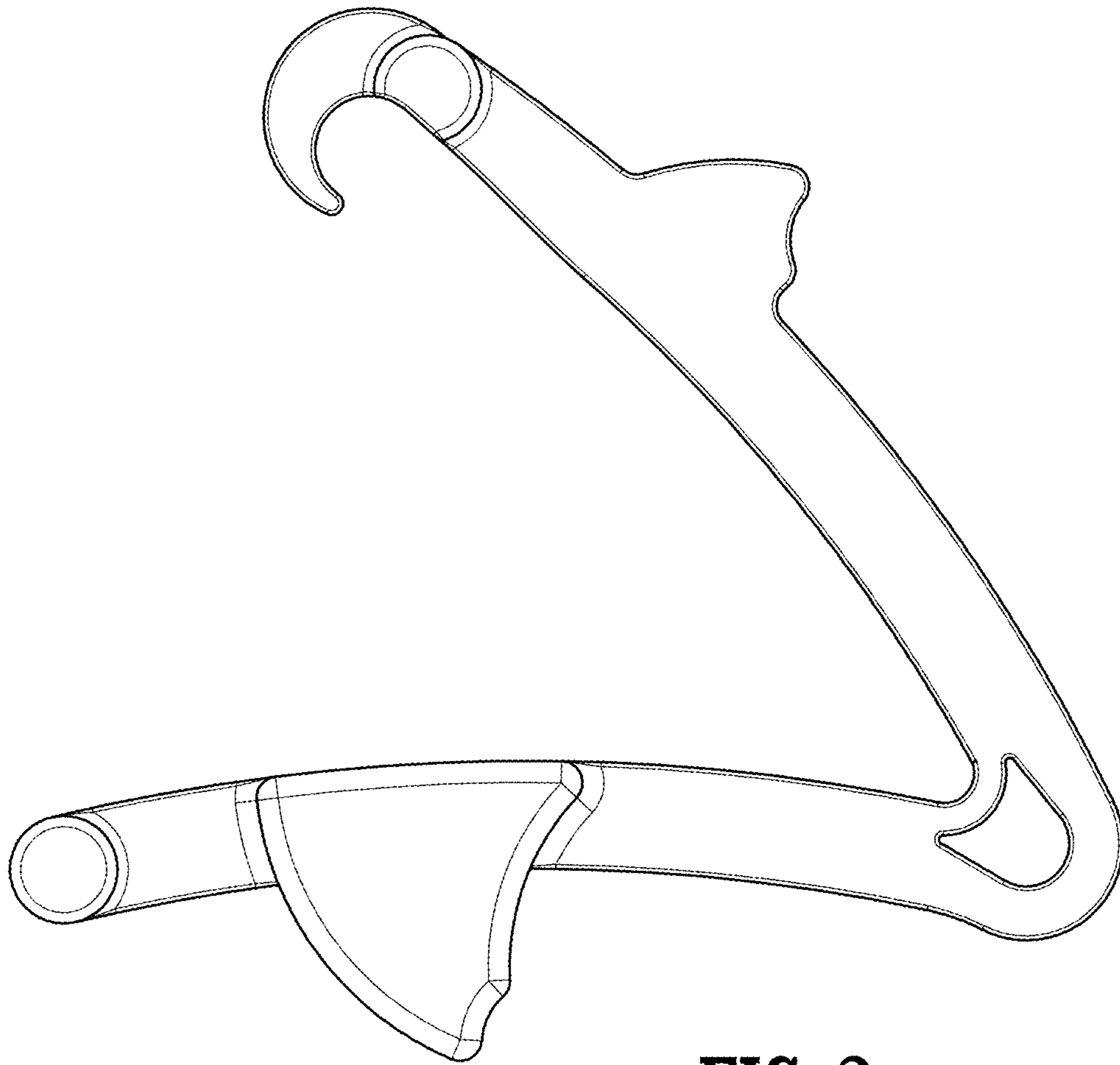


FIG. 2

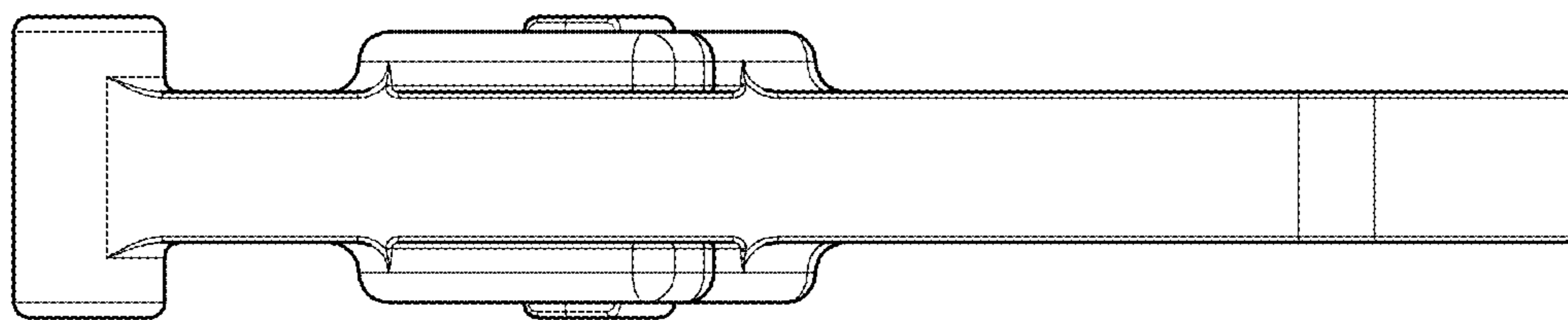


FIG. 3

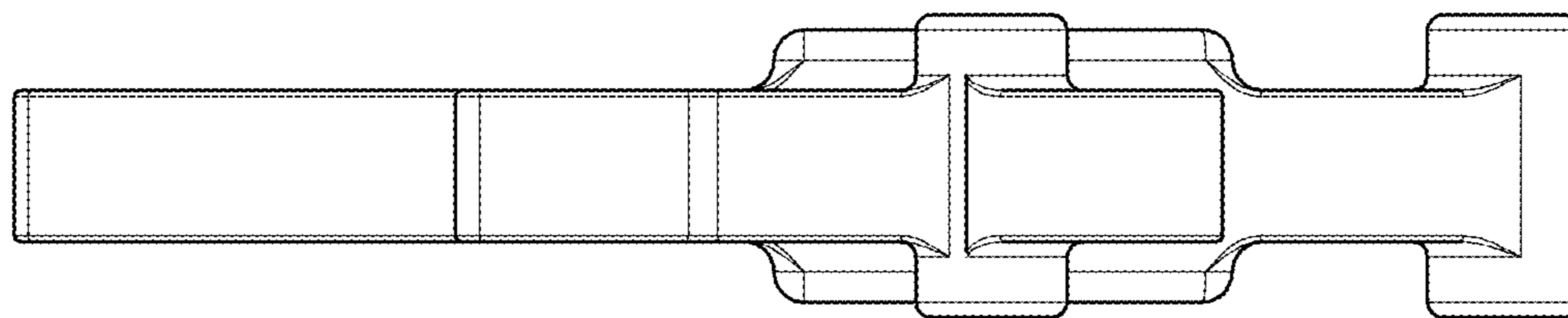


FIG. 4

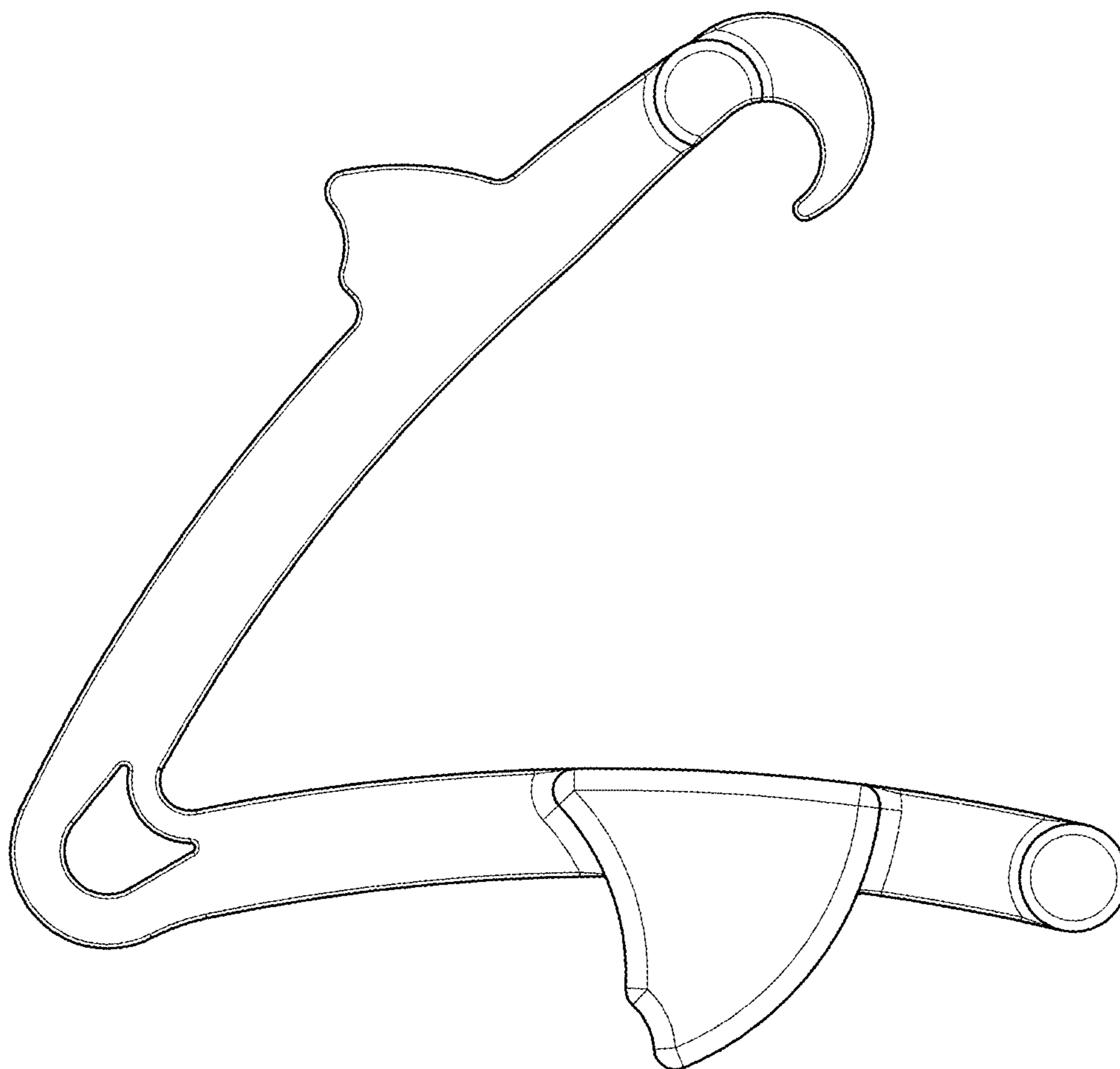


FIG. 5

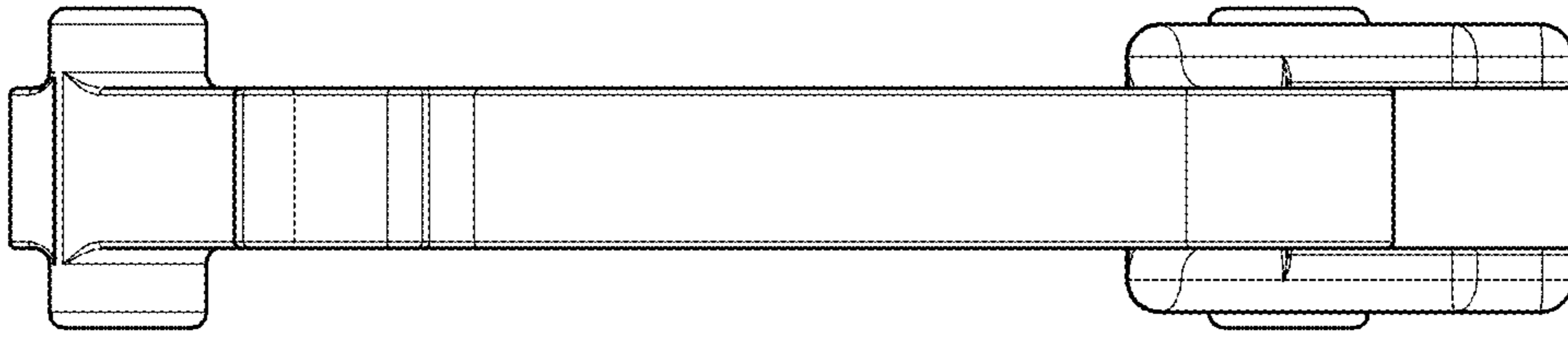


FIG. 7

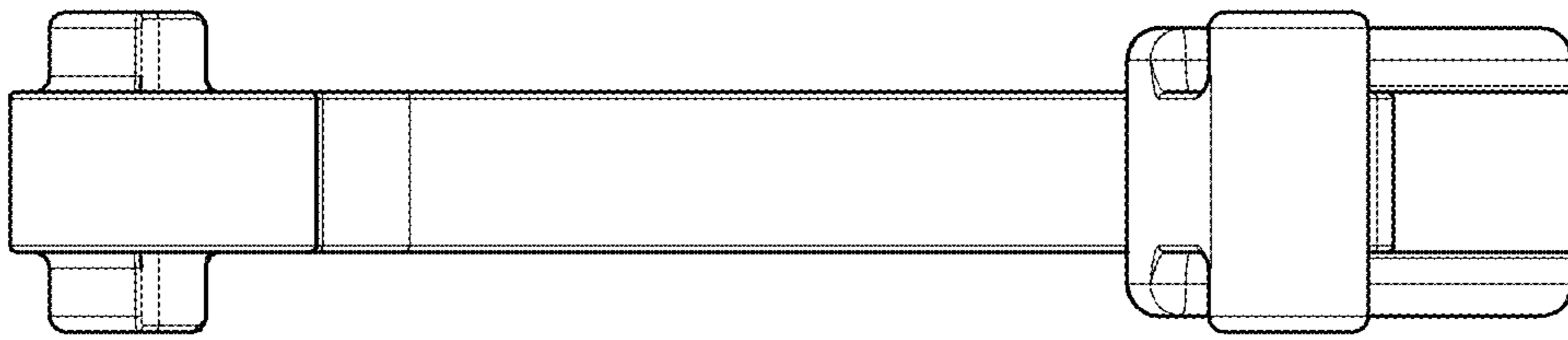


FIG. 6