



US00D907194S

(12) **United States Design Patent**
Zhang

(10) **Patent No.:** **US D907,194 S**
(45) **Date of Patent:** **** Jan. 5, 2021**

(54) **BREAST PUMP**

FOREIGN PATENT DOCUMENTS

(71) Applicant: **Think Green Limited**, Auckland (NZ)

CN 305367958 * 9/2019
EM 005291226-0001 5/1918

(72) Inventor: **Shu Ting Zhang**, Auckland (NZ)

(Continued)

(73) Assignee: **THINK GREEN LIMITED**, Auckland (NZ)

OTHER PUBLICATIONS

(**) Term: **15 Years**

Web site of Haakaa's "Generation 3" baby bottles and breast pumps; retrieved from <https://www.haakaa.co.nz/collections/generation-3> on Mar. 19, 2019 (8 pages).

(21) Appl. No.: **29/682,151**

Primary Examiner — Lilyana Bekic

(22) Filed: **Mar. 1, 2019**

(74) *Attorney, Agent, or Firm* — Michael Best & Friedrich LLP

(30) **Foreign Application Priority Data**

Jan. 10, 2019 (NZ) 425595
Jan. 10, 2019 (NZ) 425597

(57) **CLAIM**

(51) **LOC (13) Cl.** **24-02**

The ornamental design for a breast pump, as shown and described.

(52) **U.S. Cl.**
USPC **D24/109**

DESCRIPTION

(58) **Field of Classification Search**
USPC D24/107-109, 111, 113
CPC A61M 1/06; A61M 1/062; A61M 1/064;
A61M 1/066; A61M 2205/50; A61M
2205/3331; A61M 1/0031; A61M
2205/3334

FIG. 1 is a top-perspective view of a breast pump;
FIG. 2 is a bottom-perspective view of the breast pump of FIG. 1;
FIG. 3 is a front elevation view of the breast pump of FIG. 1;
FIG. 4 is a back elevation view of the breast pump of FIG. 1;
FIG. 5 is a left side elevation view of the breast pump of FIG. 1;
FIG. 6 is a right side elevation view of the breast pump of FIG. 1;
FIG. 7 is a top plan view of the breast pump of FIG. 1; and,
FIG. 8 is a bottom plan view of the breast pump of FIG. 1.
The dash-dash broken lines in the drawings depict portions of the breast pump that form no part of the claimed design. The dash-dot broken lines define the bounds of the claimed design and form no part thereof.

See application file for complete search history.

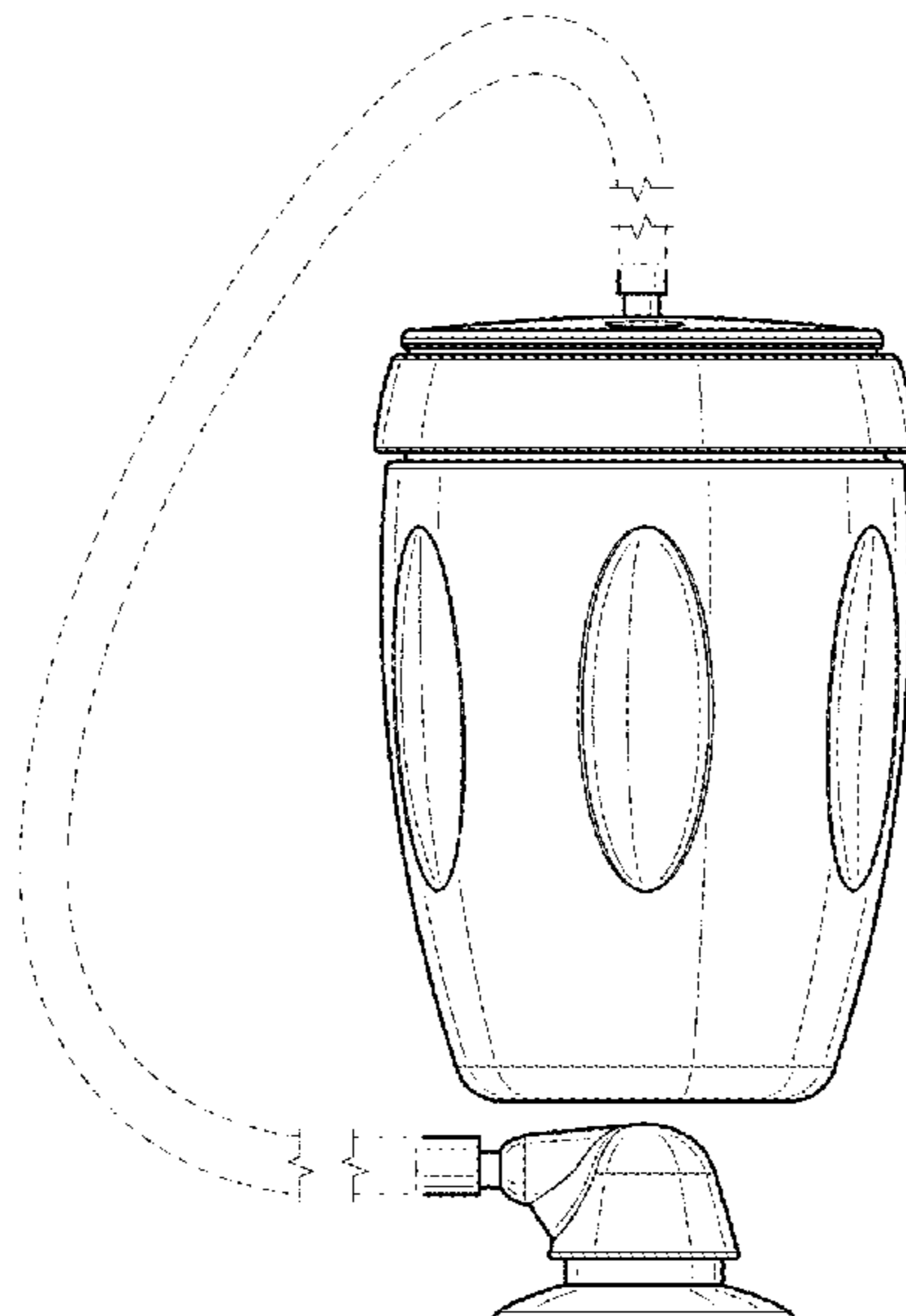
(56) **References Cited**

U.S. PATENT DOCUMENTS

72,604 A * 12/1867 Cole A61M 1/064
604/75
163,022 A * 5/1875 Marsh A61M 1/062
604/76
6,379,327 B2 * 4/2002 Lundy A61M 1/062
604/74
6,440,100 B1 * 8/2002 Prentiss A61M 1/062
604/326

(Continued)

1 Claim, 8 Drawing Sheets



(56)

References Cited

U.S. PATENT DOCUMENTS

7,607,965 B1 * 10/2009 Frazier A61J 13/00
 450/36
 7,833,190 B1 * 11/2010 Hall A61M 1/06
 604/74
 9,107,991 B1 * 8/2015 Frere A61M 1/06
 D808,006 S 1/2018 Zhang
 D810,925 S 2/2018 Zhang
 D871,566 S * 12/2019 Zhang D24/109
 D878,614 S * 3/2020 Zhang D24/197
 2003/0141268 A1 * 7/2003 Kerns A61M 1/064
 215/11.1
 2006/0270973 A1 * 11/2006 Chu A61H 9/0078
 604/74
 2013/0023821 A1 * 1/2013 Khalil A61M 1/064
 604/74
 2016/0058928 A1 * 3/2016 Nowroozi A61M 1/062
 604/74
 2016/0067393 A1 * 3/2016 Barnes A61M 1/06
 604/74
 2020/0222285 A1 * 7/2020 Zhang A61M 39/08

FOREIGN PATENT DOCUMENTS

EM 005291572-0001 5/1918
 JP D1655471 * 3/2020
 JP D1656592 * 4/2020

* cited by examiner

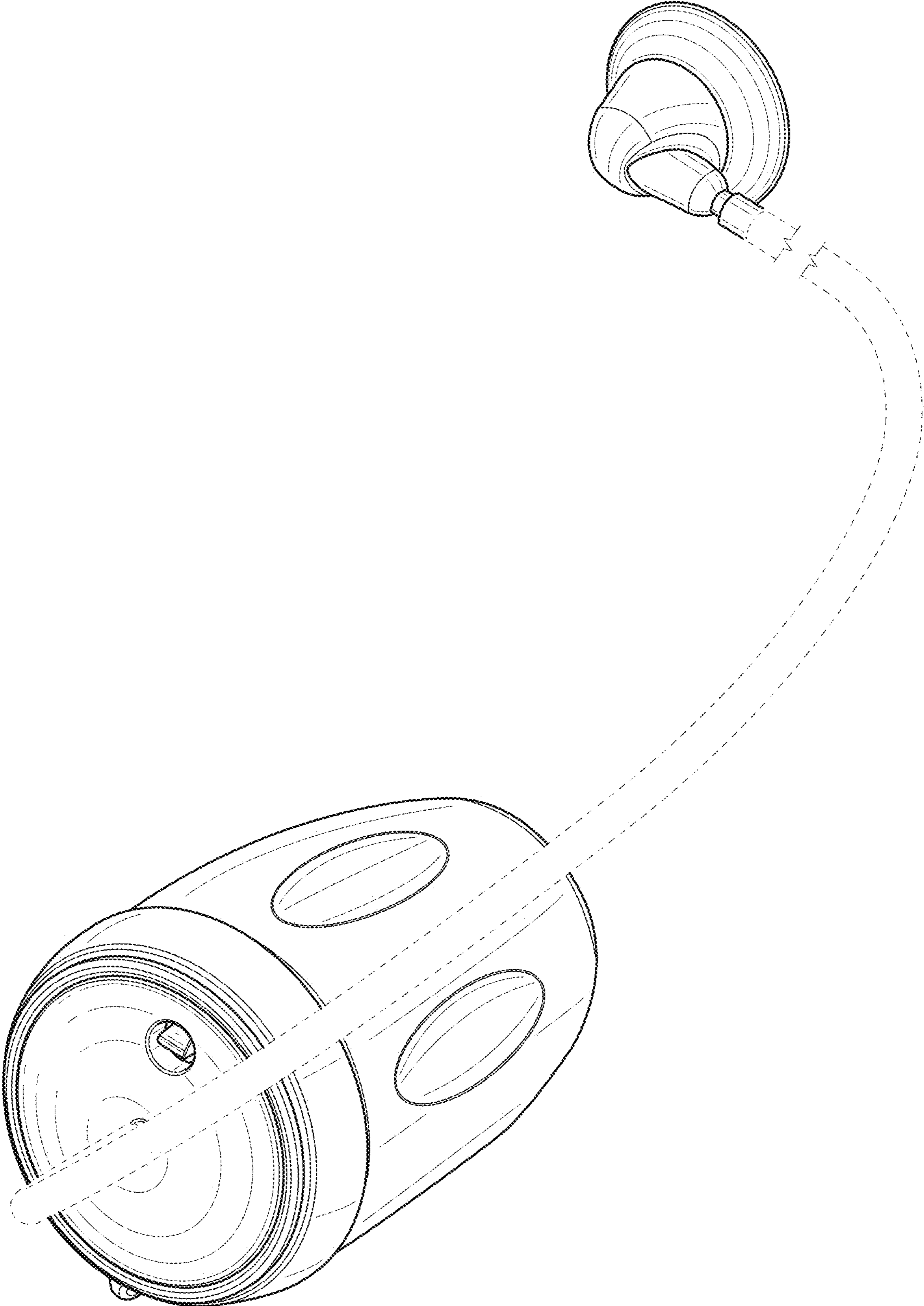


FIG. 1

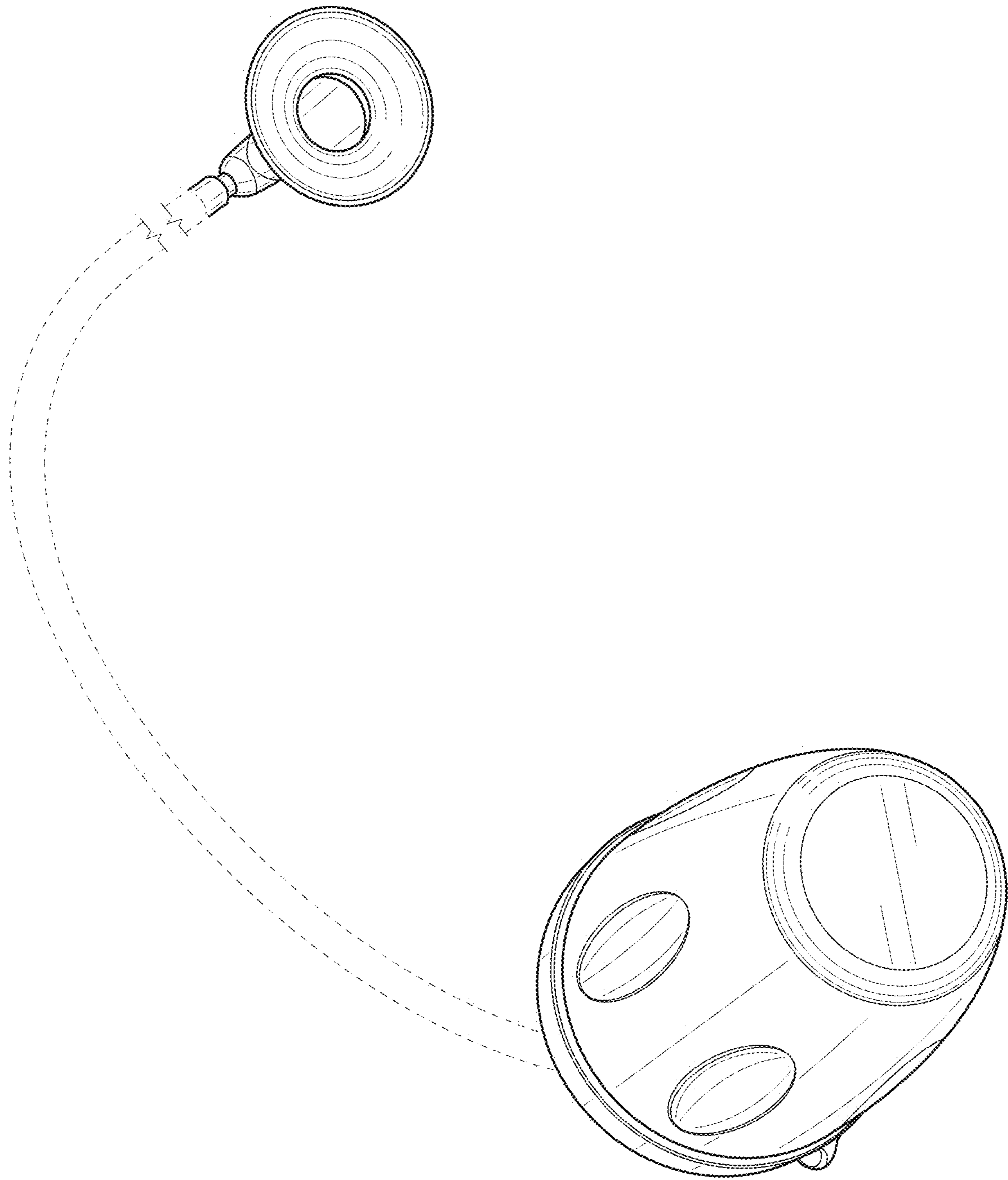


FIG. 2

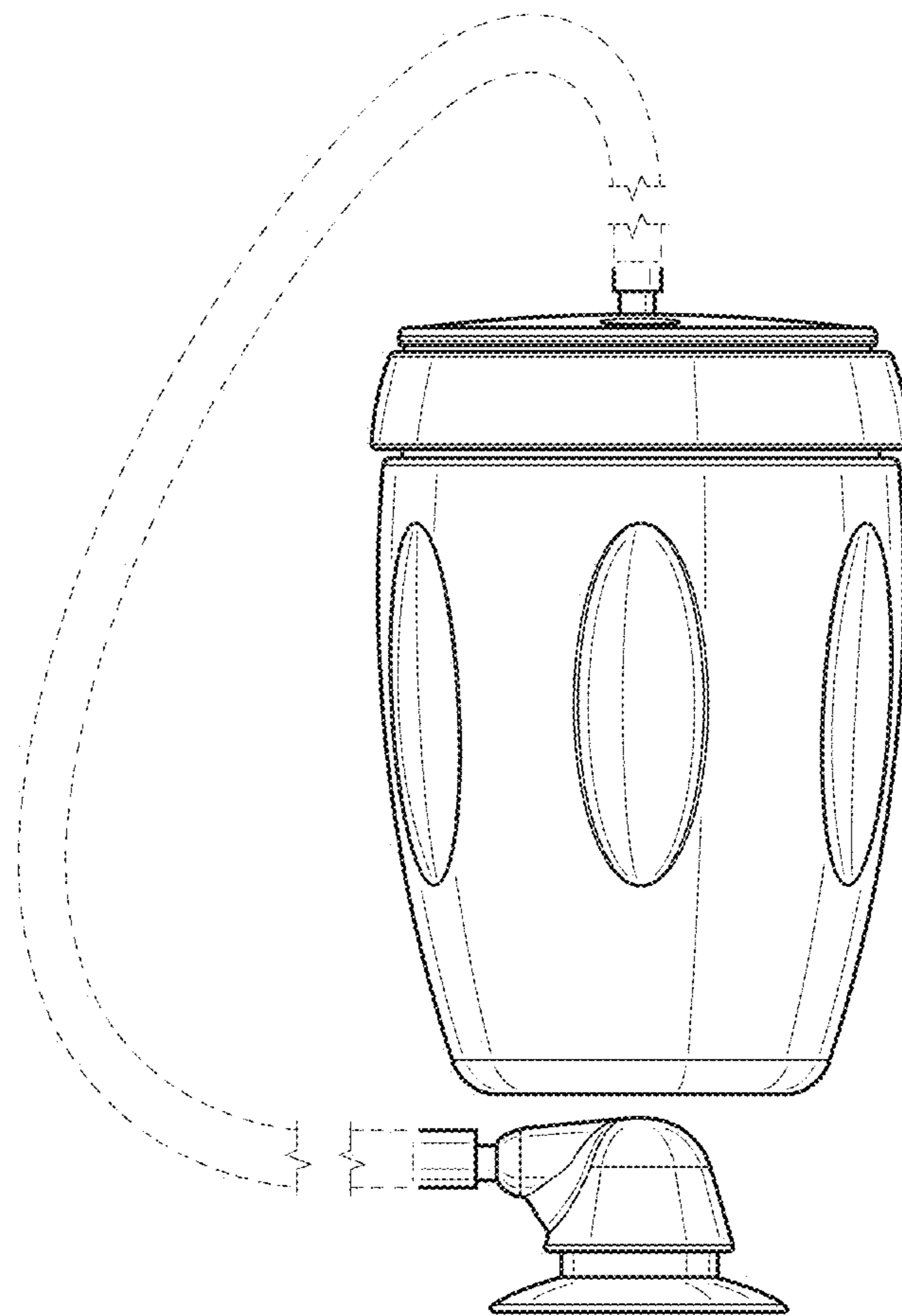


FIG. 3

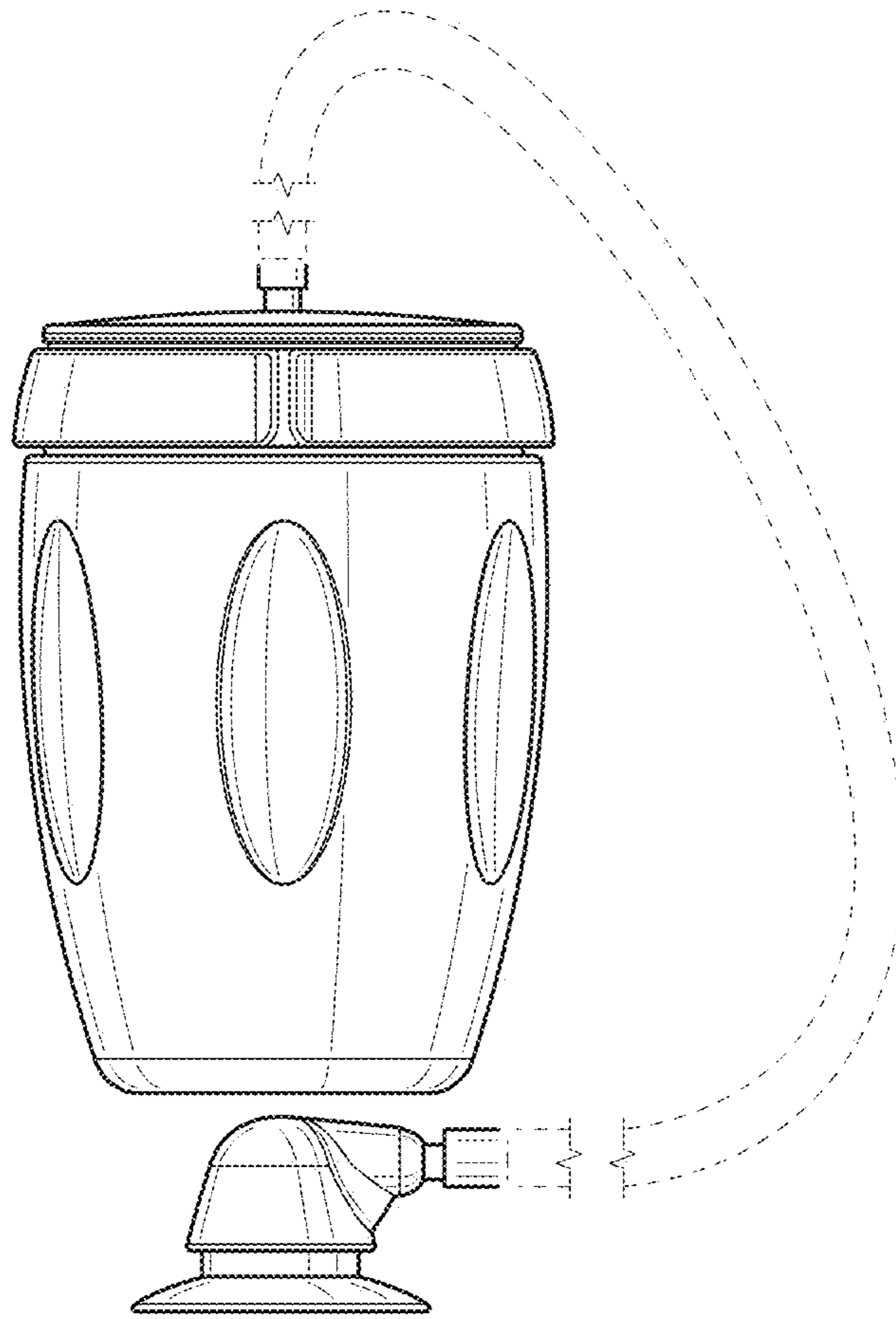


FIG. 4

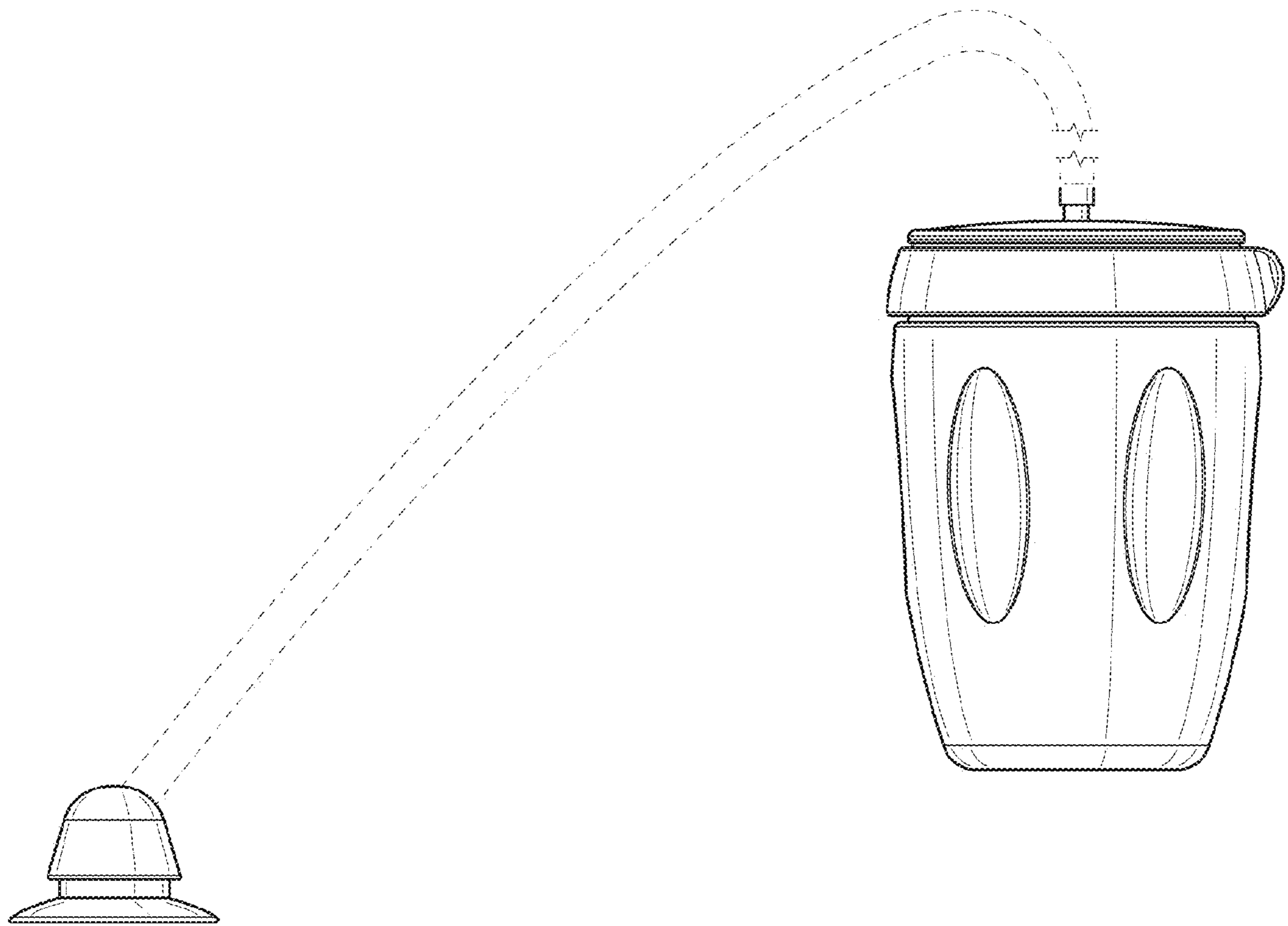


FIG. 5

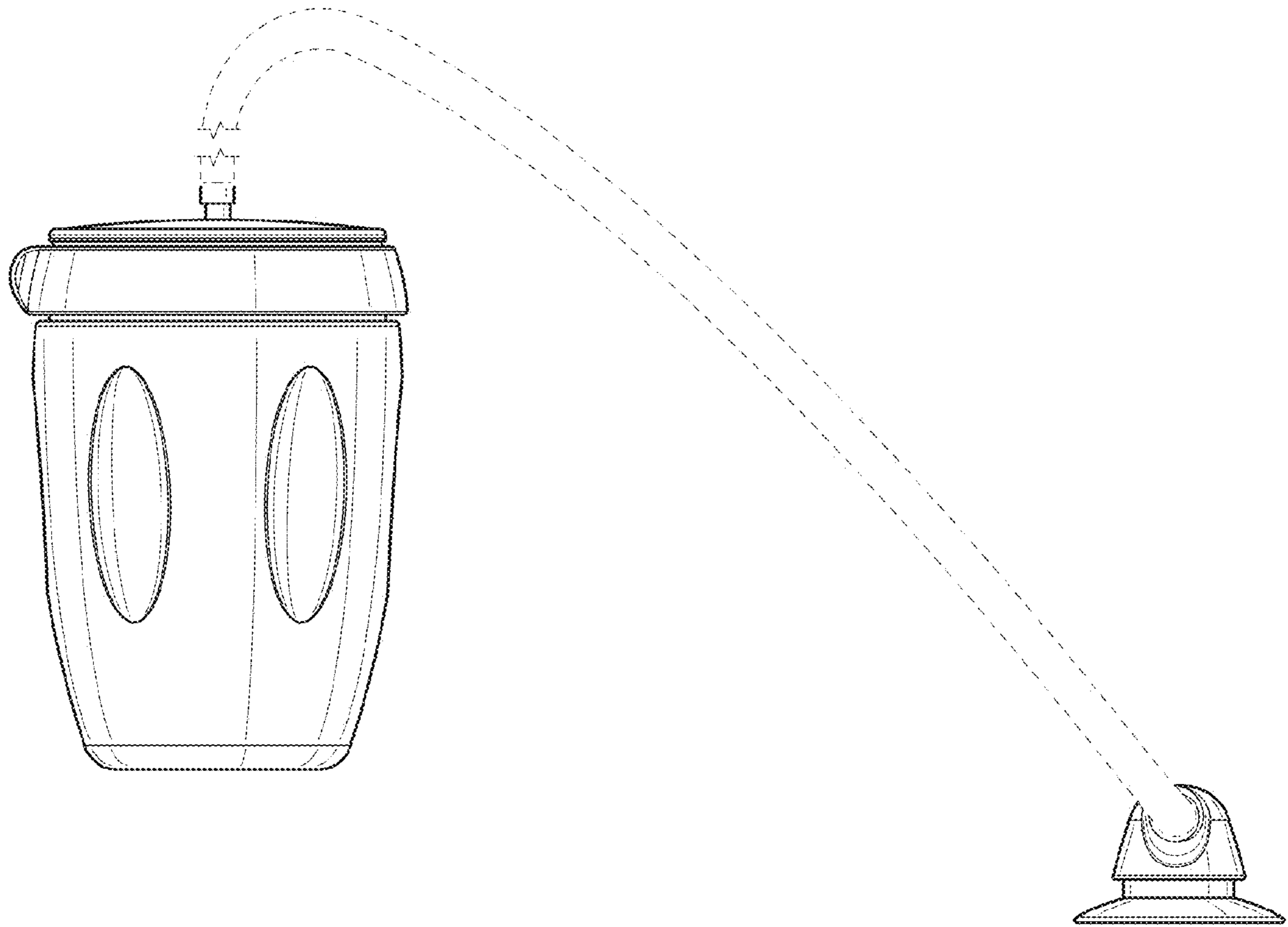


FIG. 6

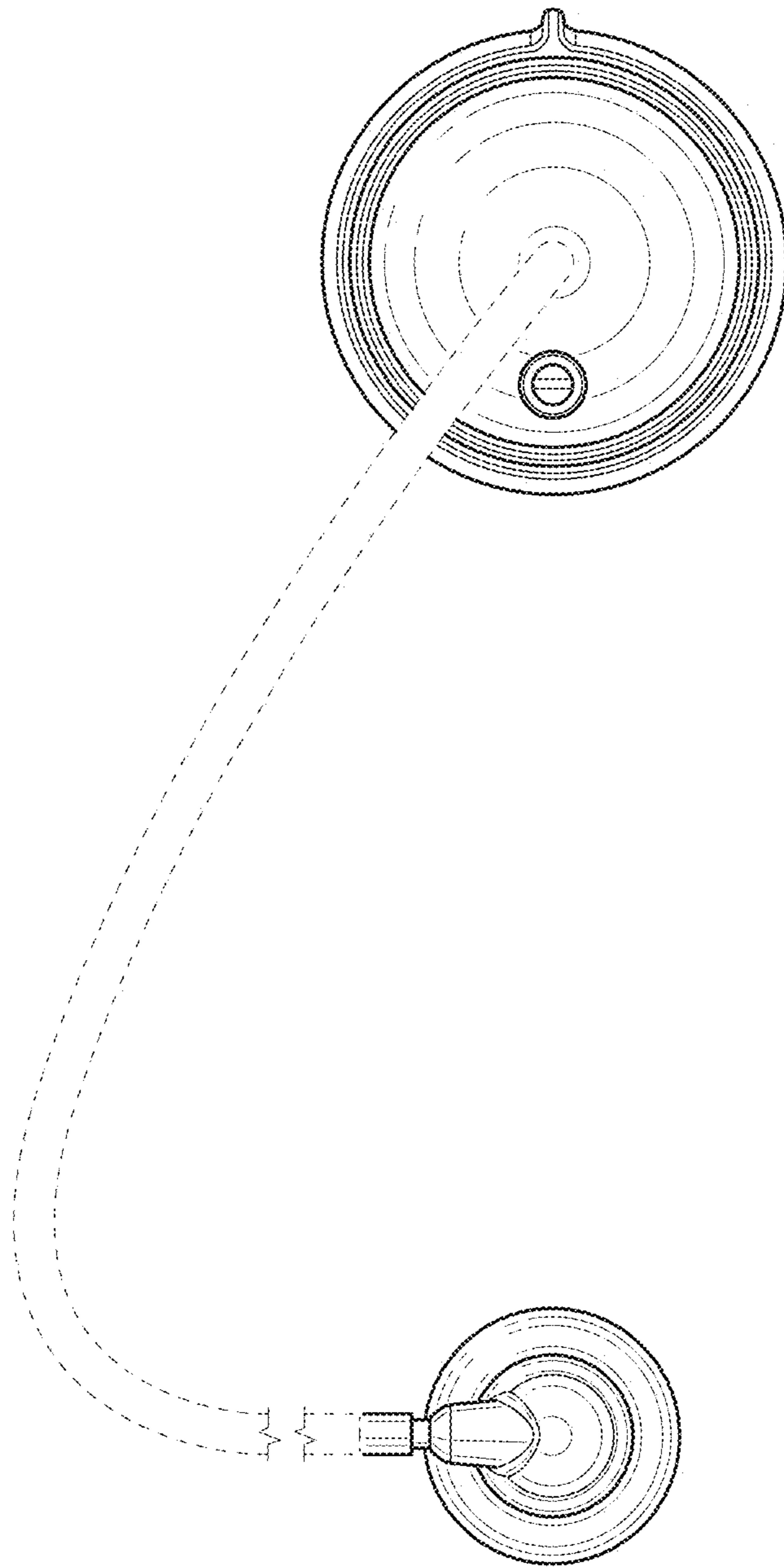


FIG. 7

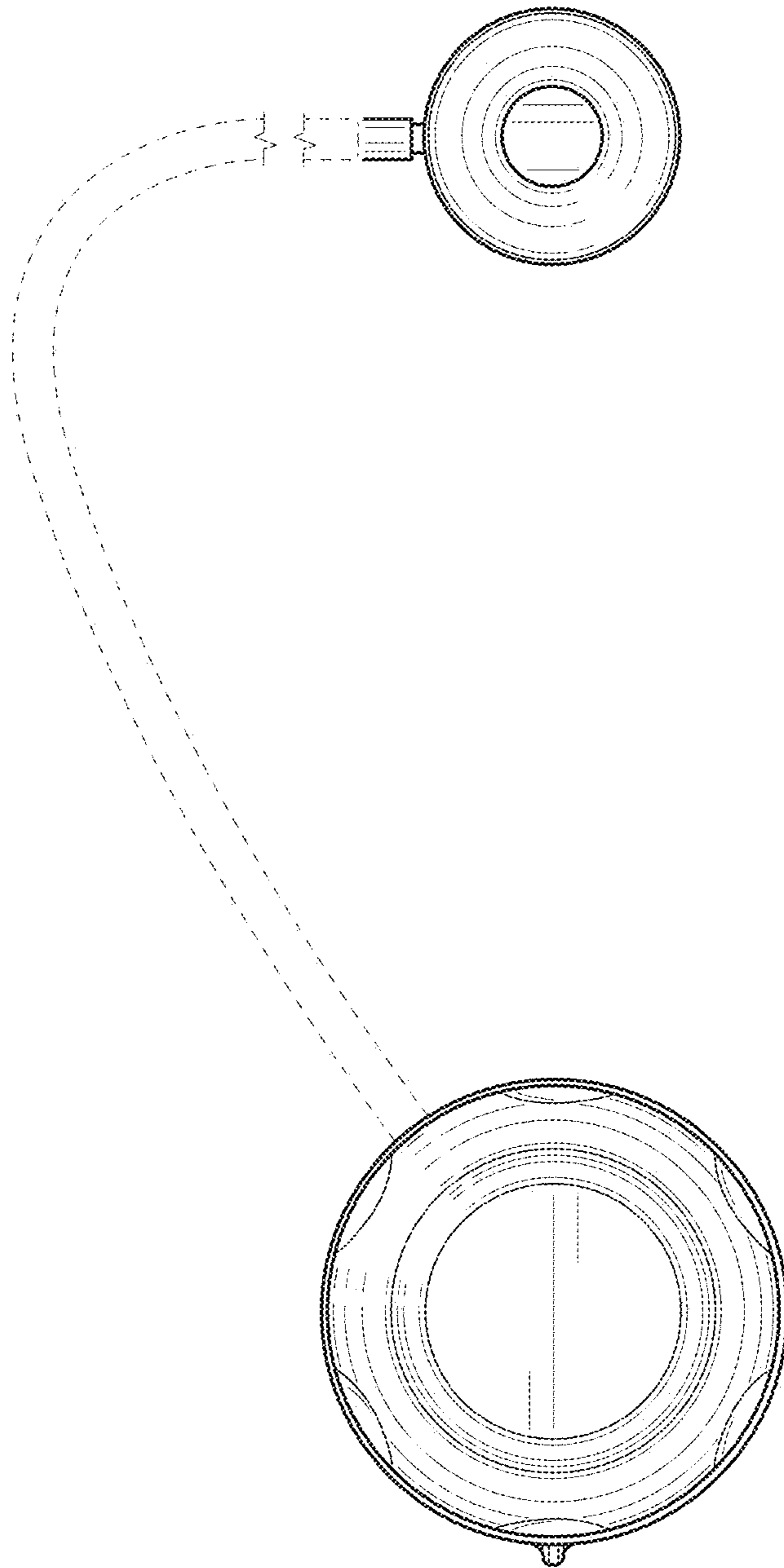


FIG. 8