



US00D907193S

(12) **United States Design Patent**  
**Alsberg et al.**

(10) **Patent No.:** **US D907,193 S**  
(45) **Date of Patent:** **\*\* Jan. 5, 2021**

(54) **SECURED MEDICATION TRANSFER SET**

FOREIGN PATENT DOCUMENTS

(71) Applicant: **Eli Lilly and Company**, Indianapolis, IN (US)

CN 2882607 3/2007  
CN 101028226 9/2007

(Continued)

(72) Inventors: **Keith Daniel Alsberg**, Evanston, IL (US); **Christopher John DeMaria**, Stow, MA (US); **Kenneth James Micklash, II**, Carmel, IN (US); **Gary Harlan Paulsen**, Chicago, IL (US)

OTHER PUBLICATIONS

Patent Cooperation Treaty International Search Report and the Written Opinion of the International Searching Authority pertaining to International Application No. PCT/2017/047563; dated Jan. 5, 2018; p. 10.

(73) Assignee: **Eli Lilly and Company**, Indianapolis, IN (US)

*Primary Examiner* — Lilyana Bekic

(74) *Attorney, Agent, or Firm* — Jonathan Anderson

(\*\*) Term: **15 Years**

(57) **CLAIM**

(21) Appl. No.: **29/637,734**

We claim the ornamental design for a secured medication transfer set, as shown and described.

(22) Filed: **Feb. 21, 2018**

**DESCRIPTION**

(51) **LOC (13) Cl.** ..... **24-01**

(52) **U.S. Cl.**  
USPC ..... **D24/108**

(58) **Field of Classification Search**  
USPC ..... D24/107–109, 127–130, 220, 231,  
D24/185–186, 200, 111  
CPC ..... A61J 1/2003; A61J 1/2006; A61J 1/2048;  
A61J 1/2096; A61J 1/20  
See application file for complete search history.

FIG. 1 is a perspective view of a first embodiment for a secured medication transfer set showing our new design; FIG. 2 is a front elevational view thereof; FIG. 3 is a rear elevational view thereof; FIG. 4 is a left side elevational view thereof; FIG. 5 is a right side elevational view thereof; FIG. 6 is a top plan view thereof; FIG. 7 is a bottom plan view thereof; FIG. 8 with another embodiment of the adapter being claimed view of a second embodiment for a secured medication transfer set showing our new design; FIG. 9 is a front elevational view thereof; FIG. 10 is a rear elevational view thereof; FIG. 11 is a left side elevational view thereof; FIG. 12 is a right side elevational view thereof; FIG. 13 is a top plan view thereof; and, FIG. 14 is a bottom plan view thereof.

(56) **References Cited**

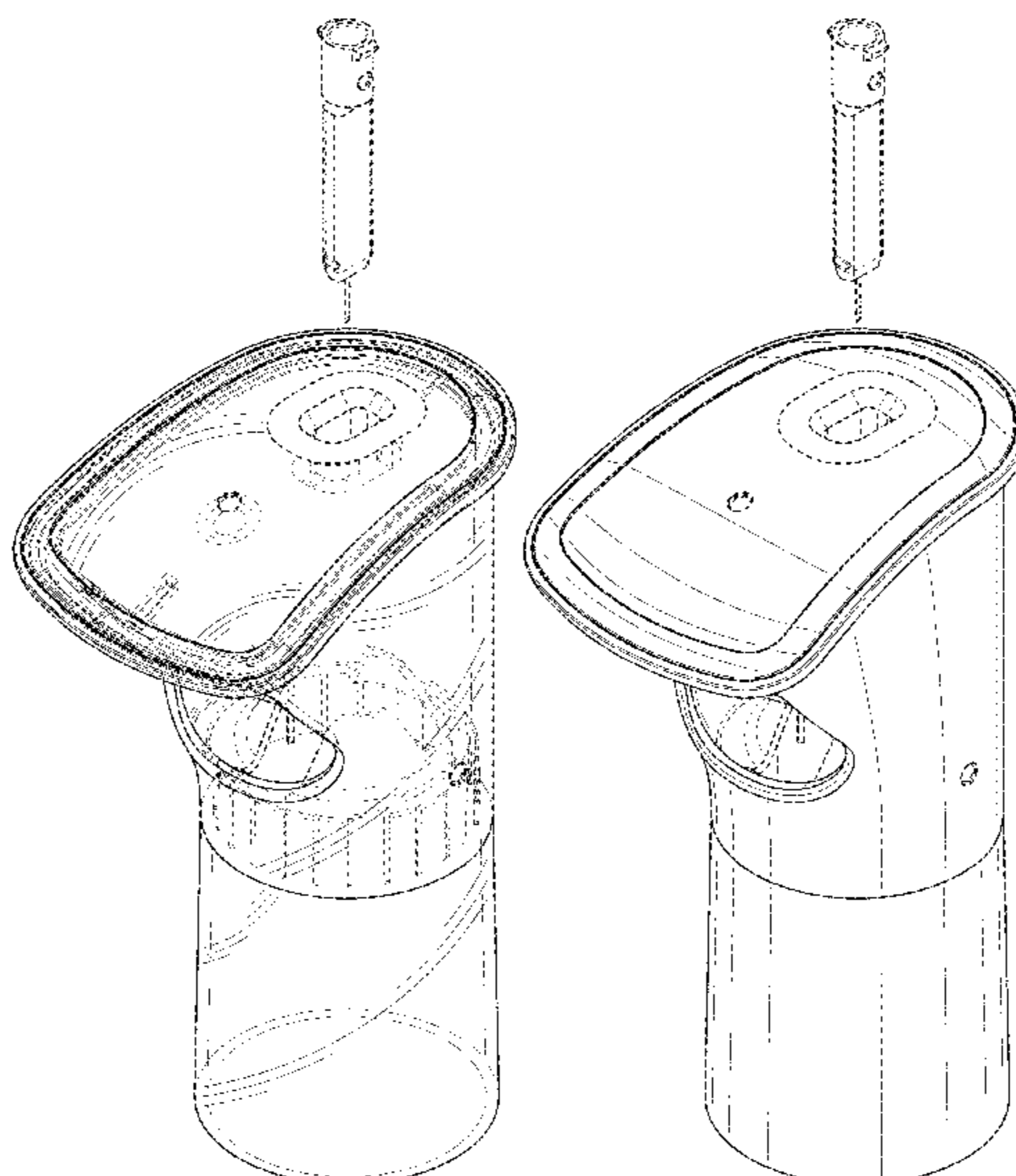
U.S. PATENT DOCUMENTS

- 4,150,673 A 4/1979 Watt
- 4,619,640 A 10/1986 Potolsky et al.
- 5,429,256 A 7/1995 Kestenbaum
- 5,620,427 A 4/1997 Werschmidt et al.
- 5,700,244 A 12/1997 Kriesel
- 5,725,511 A 3/1998 Urrutia
- 5,776,103 A 7/1998 Kriesel et al.
- 5,807,335 A 9/1998 Kriesel et al.

(Continued)

The broken lines in the drawings depict portions of the secured medication transfer set that form no part of the claimed design.

**1 Claim, 14 Drawing Sheets**



(56)

References Cited

U.S. PATENT DOCUMENTS

5,957,891 A 9/1999 Kriesel et al.  
 6,086,560 A 7/2000 Kriesel  
 6,132,416 A 10/2000 Broselow  
 6,253,804 B1 7/2001 Safabash  
 6,277,095 B1 8/2001 Kriesel et al.  
 6,293,159 B1 9/2001 Kriesel et al.  
 6,355,019 B1 3/2002 Kriesel et al.  
 D460,181 S 7/2002 Swenson  
 D460,551 S 7/2002 Swenson  
 D462,761 S 9/2002 Swenson  
 6,453,956 B2 9/2002 Safabash  
 6,500,153 B1 12/2002 Sheppard et al.  
 6,591,876 B2 7/2003 Safabash  
 6,599,264 B1 7/2003 Erni et al.  
 6,749,587 B2 6/2004 Flaherty  
 6,874,522 B2 4/2005 Anderson et al.  
 6,890,310 B2 5/2005 Fracavilla et al.  
 6,890,328 B2 5/2005 Fowles et al.  
 7,137,654 B2 11/2006 Segal et al.  
 7,354,427 B2 4/2008 Fangrow  
 7,615,041 B2\* 11/2009 Sullivan ..... A61J 1/2096  
 604/403  
 7,806,868 B2 10/2010 DePolo et al.  
 7,918,825 B2 4/2011 O'Connor et al.  
 7,981,076 B2 7/2011 Sullivan et al.  
 8,034,026 B2 10/2011 Grant et al.  
 8,122,923 B2 2/2012 Kraus et al.  
 8,177,767 B2 5/2012 Kristensen et al.  
 8,196,614 B2 6/2012 Kriheli  
 8,323,250 B2 12/2012 Chong et al.  
 8,356,645 B2 1/2013 Chong et al.  
 8,414,522 B2 4/2013 Kamen et al.  
 8,449,504 B2 5/2013 Carter et al.  
 8,465,461 B2 6/2013 Wu et al.  
 8,511,352 B2 8/2013 Kraus et al.  
 8,512,309 B2 8/2013 Shemesh et al.  
 D690,418 S\* 9/2013 Rosenquist ..... D24/129  
 8,608,723 B2 12/2013 Lev et al.  
 8,632,506 B2 1/2014 Steinfeldt-Jensen et al.  
 8,728,024 B2 5/2014 Kamen et al.  
 8,827,956 B2 9/2014 Banik et al.  
 8,870,238 B2 10/2014 Robert et al.  
 8,870,832 B2 10/2014 Raday et al.  
 8,881,774 B2 11/2014 Lanier, Jr. et al.  
 D720,451 S\* 12/2014 Denenburg ..... D24/129  
 8,968,257 B2 3/2015 Dasbach et al.  
 9,107,809 B2 8/2015 Garfield et al.  
 9,152,829 B2 10/2015 Day et al.  
 9,162,027 B2 10/2015 Kamen et al.  
 9,173,997 B2 11/2015 Gross et al.  
 9,180,242 B2 11/2015 Metzmaker et al.  
 9,220,833 B2 12/2015 Robert et al.  
 D747,472 S\* 1/2016 Bradley ..... D24/129  
 9,242,042 B2 1/2016 Martin et al.  
 D801,522 S\* 10/2017 Ben Shalom ..... D24/129  
 D832,430 S\* 10/2018 Denenburg ..... D24/129  
 10,537,495 B2\* 1/2020 Ivosevic ..... A61J 1/201  
 2003/0105428 A1 6/2003 Hogan et al.  
 2006/0047251 A1 3/2006 Bickford Smith et al.  
 2006/0047252 A1 3/2006 Ono  
 2006/0235364 A1 10/2006 O'Hare et al.  
 2007/0233008 A1 10/2007 Kristensen et al.  
 2008/0306439 A1\* 12/2008 Nelson ..... A61J 1/2096  
 604/84  
 2009/0099552 A1 4/2009 Levy et al.  
 2010/0036319 A1\* 2/2010 Drake ..... A61J 1/1406  
 604/135  
 2010/0198183 A1 8/2010 Lanigan et al.  
 2010/0217226 A1 8/2010 Shemesh  
 2010/0286661 A1\* 11/2010 Raday ..... A61J 1/2096  
 604/520

2011/0087164 A1\* 4/2011 Mosler ..... A61J 1/2089  
 604/87  
 2011/0208123 A1 8/2011 Gray et al.  
 2011/0264037 A1\* 10/2011 Foshee ..... A61J 1/2096  
 604/88  
 2012/0000569 A1 1/2012 Wiegel  
 2012/0029431 A1 2/2012 Hwang et al.  
 2012/0053555 A1\* 3/2012 Ariagno ..... A61J 1/2089  
 604/413  
 2012/0059346 A1\* 3/2012 Sheppard ..... A61J 1/2096  
 604/414  
 2012/0067429 A1\* 3/2012 Mosler ..... A61J 1/2089  
 137/1  
 2012/0150129 A1 6/2012 Jin et al.  
 2012/0195182 A1 8/2012 Pommereau et al.  
 2012/0310203 A1\* 12/2012 Khaled ..... A61J 1/2096  
 604/404  
 2012/0323210 A1\* 12/2012 Lev ..... A61J 1/2089  
 604/405  
 2013/0053791 A1 2/2013 Clark  
 2013/0053814 A1\* 2/2013 Mueller-Beckhaus .....  
 A61J 1/2096  
 604/414  
 2013/0116631 A1 5/2013 Ziman et al.  
 2013/0199669 A1\* 8/2013 Moy ..... A61J 1/1475  
 141/386  
 2013/0211328 A1 8/2013 Plumptre et al.  
 2013/0231630 A1\* 9/2013 Kraus ..... A61J 1/10  
 604/416  
 2013/0253432 A1 9/2013 Avery et al.  
 2013/0292004 A1 11/2013 Ducret et al.  
 2013/0296807 A1 11/2013 Lintern et al.  
 2014/0257249 A1 9/2014 Witt  
 2014/0276649 A1 9/2014 Ivosevic et al.  
 2014/0299568 A1 10/2014 Browne  
 2015/0051571 A1 2/2015 Lanigan et al.  
 2015/0105745 A1 4/2015 Banik et al.  
 2015/0123398 A1\* 5/2015 Sanders ..... A61J 1/2096  
 285/330  
 2015/0151857 A1 6/2015 Lanigan et al.  
 2015/0157537 A1 6/2015 Lanigan et al.  
 2015/0174320 A1 6/2015 Grant et al.  
 2015/0246176 A1 9/2015 Navarro et al.  
 2015/0265500 A1 9/2015 Russo et al.  
 2015/0297881 A1\* 10/2015 Sanders ..... A61M 39/1011  
 604/535  
 2016/0000653 A1\* 1/2016 Kramer ..... A61J 1/2096  
 604/411  
 2016/0008536 A1 1/2016 Gravesen et al.  
 2016/0038671 A1 2/2016 Kamen et al.  
 2016/0051446 A1\* 2/2016 Lev ..... A61J 1/2089  
 220/277  
 2016/0058667 A1\* 3/2016 Kriheli ..... A61J 1/2013  
 604/414  
 2016/0206511 A1\* 7/2016 Garfield ..... A61J 1/2089  
 2017/0007501 A1\* 1/2017 Schuldt-Lieb ..... A61J 1/2051  
 2017/0189270 A1 7/2017 Liu et al.  
 2017/0354571 A1\* 12/2017 David ..... A61J 1/2089  
 2019/0167526 A1\* 6/2019 Alsberg ..... A61M 5/1782  
 2019/0321262 A1\* 10/2019 Chudek ..... A61J 1/16

FOREIGN PATENT DOCUMENTS

EP 0556618 8/1993  
 EP 0820778 1/1998  
 GB 325959 3/1930  
 TW M294327 7/2006  
 WO 200047268 8/2000  
 WO 2010054463 5/2010  
 WO 10078434 7/2010  
 WO 2011131779 10/2011  
 WO 2012010564 1/2012  
 WO 2016004329 1/2016

\* cited by examiner

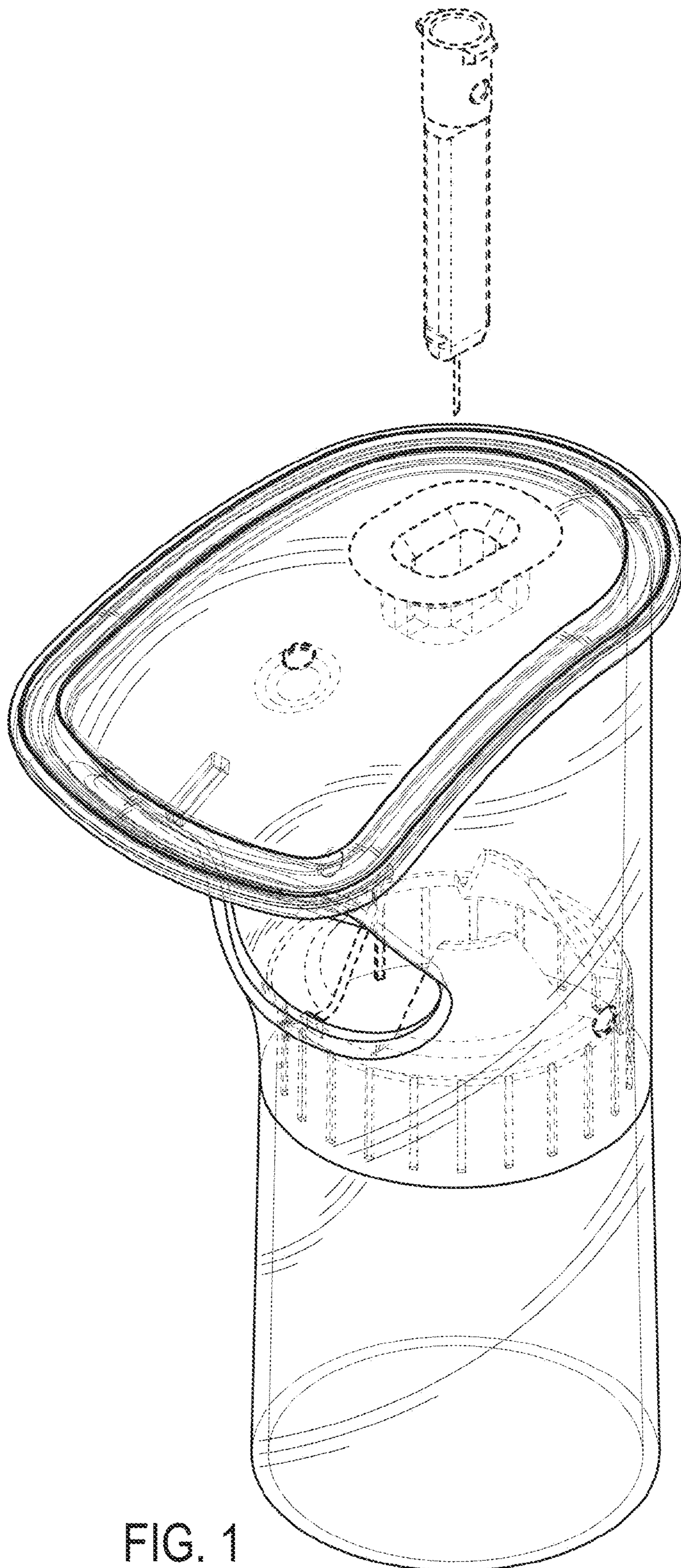


FIG. 1

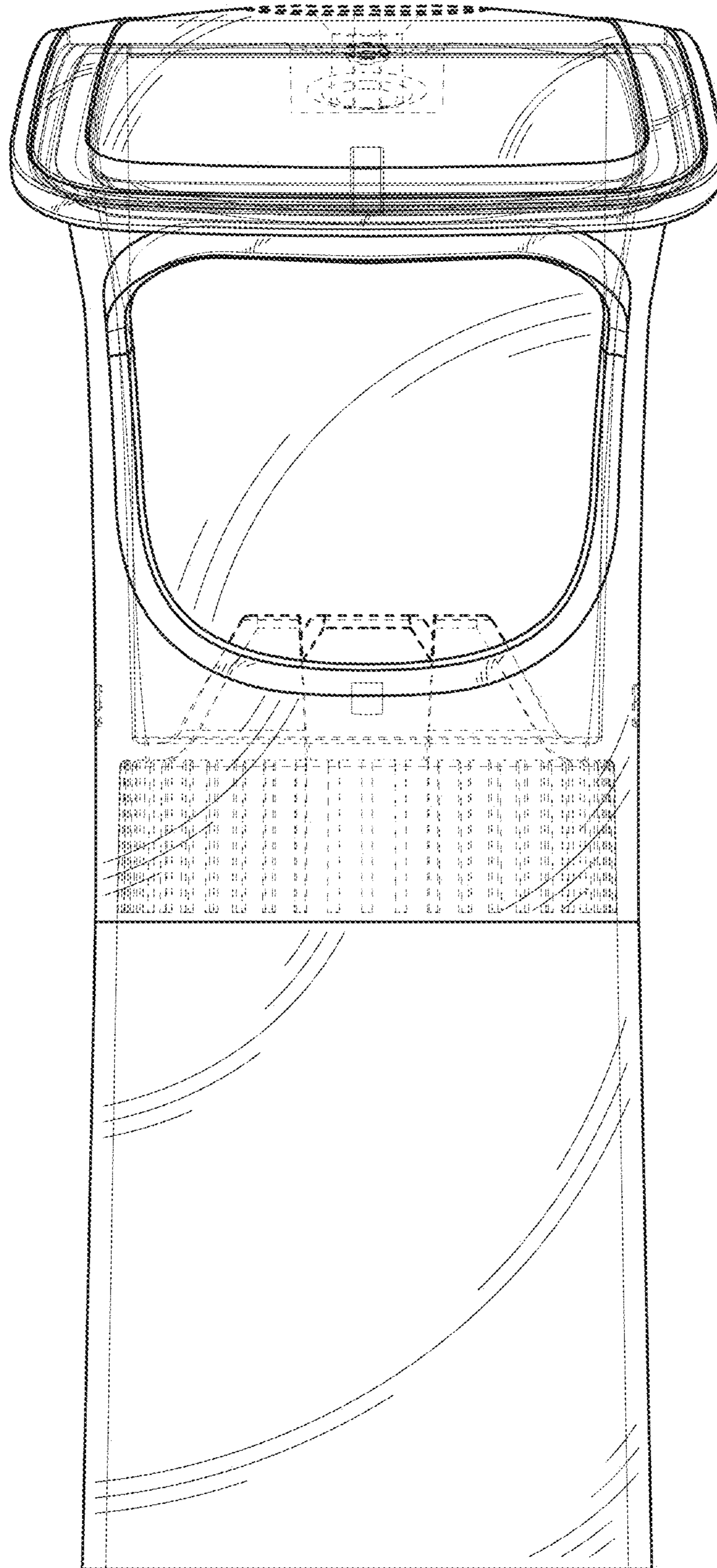


FIG. 2

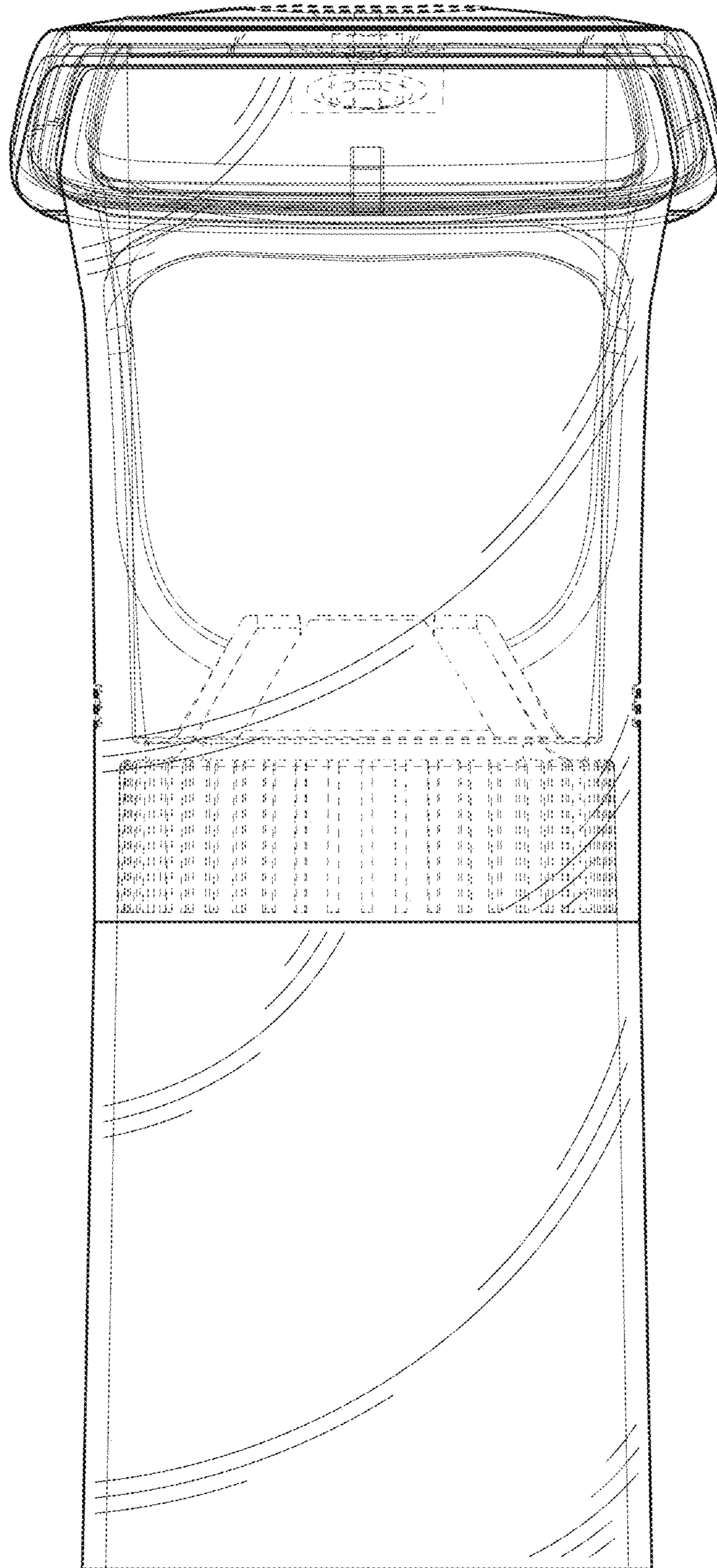


FIG. 3

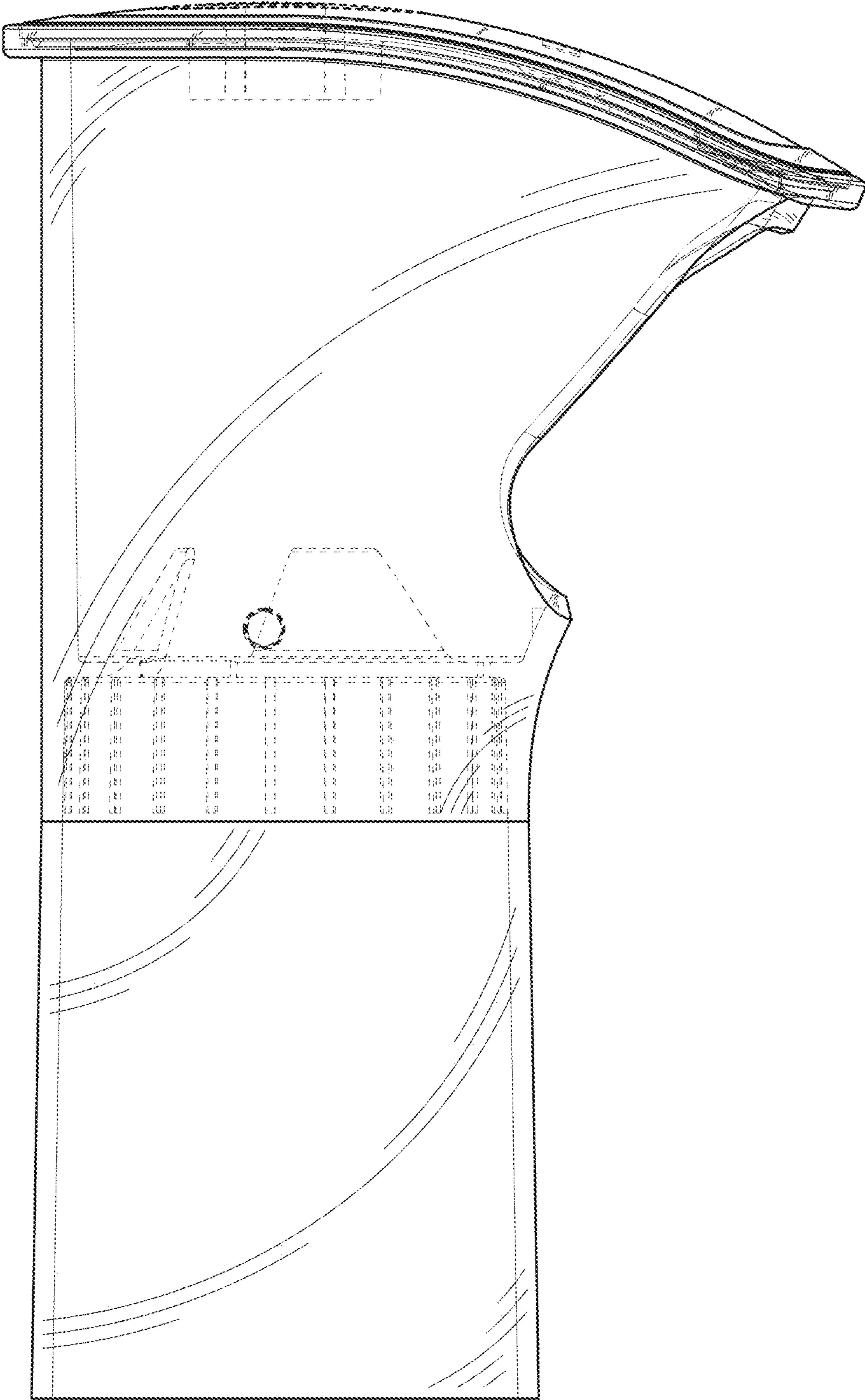


FIG. 4

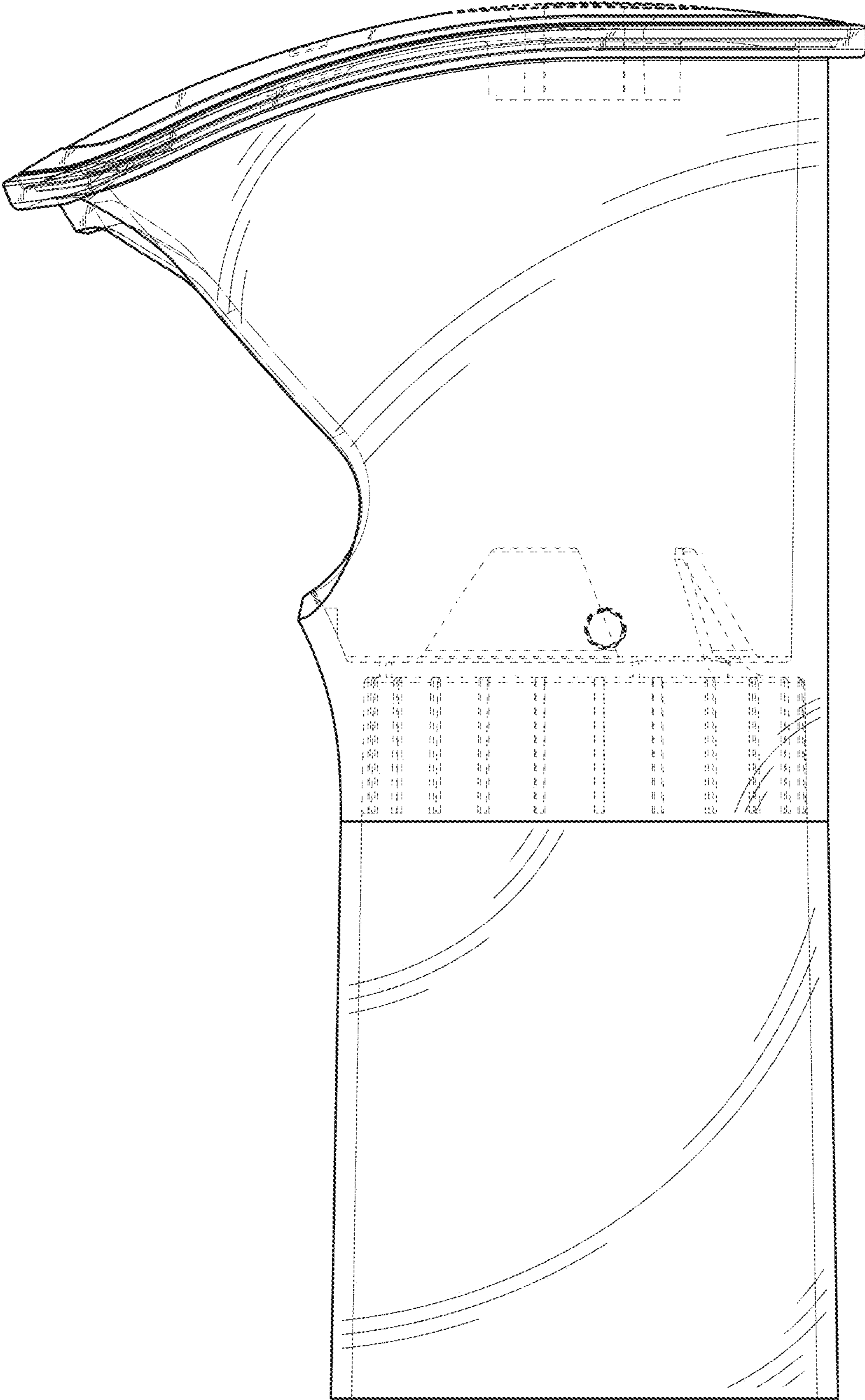


FIG. 5

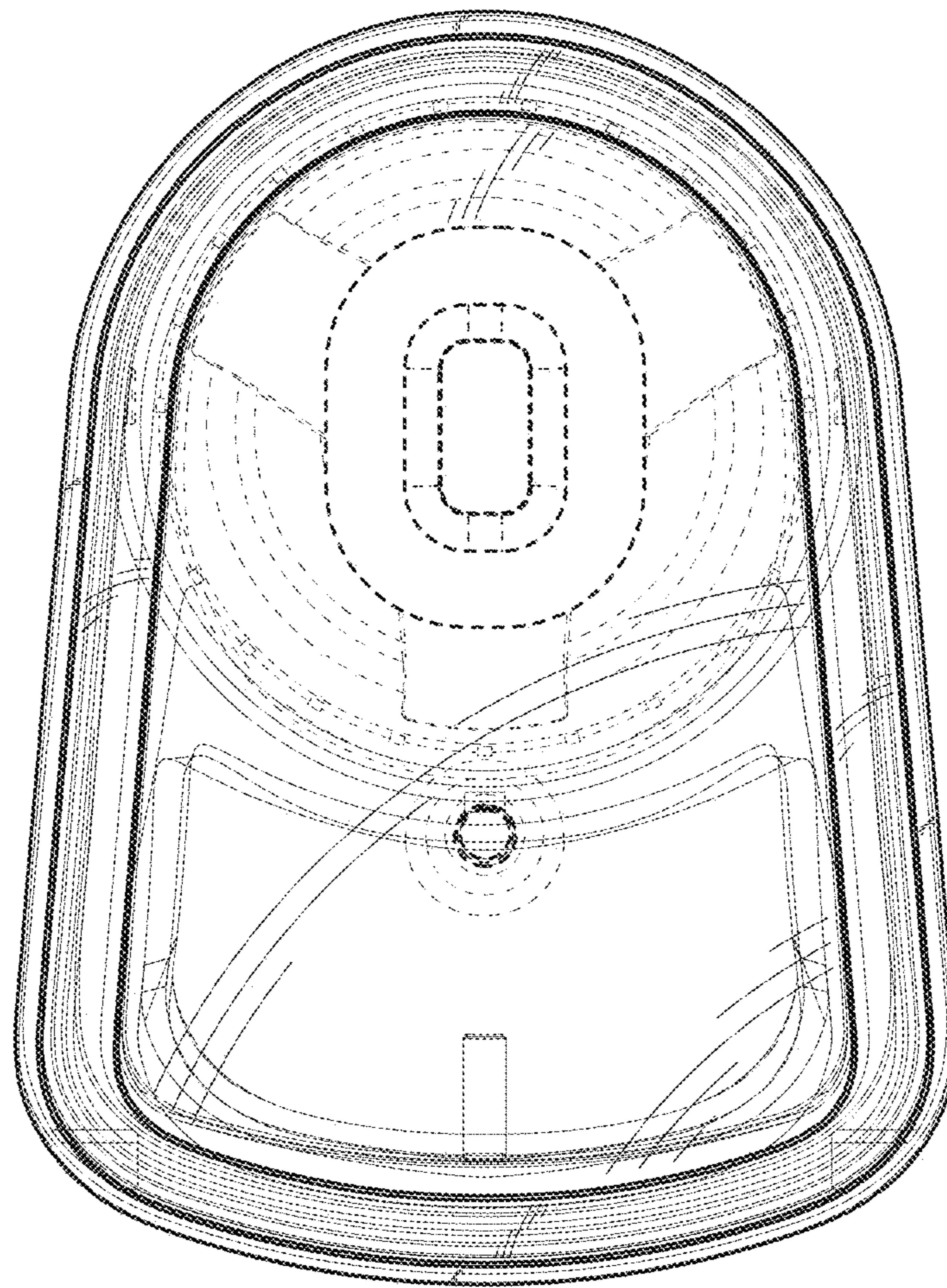


FIG. 6



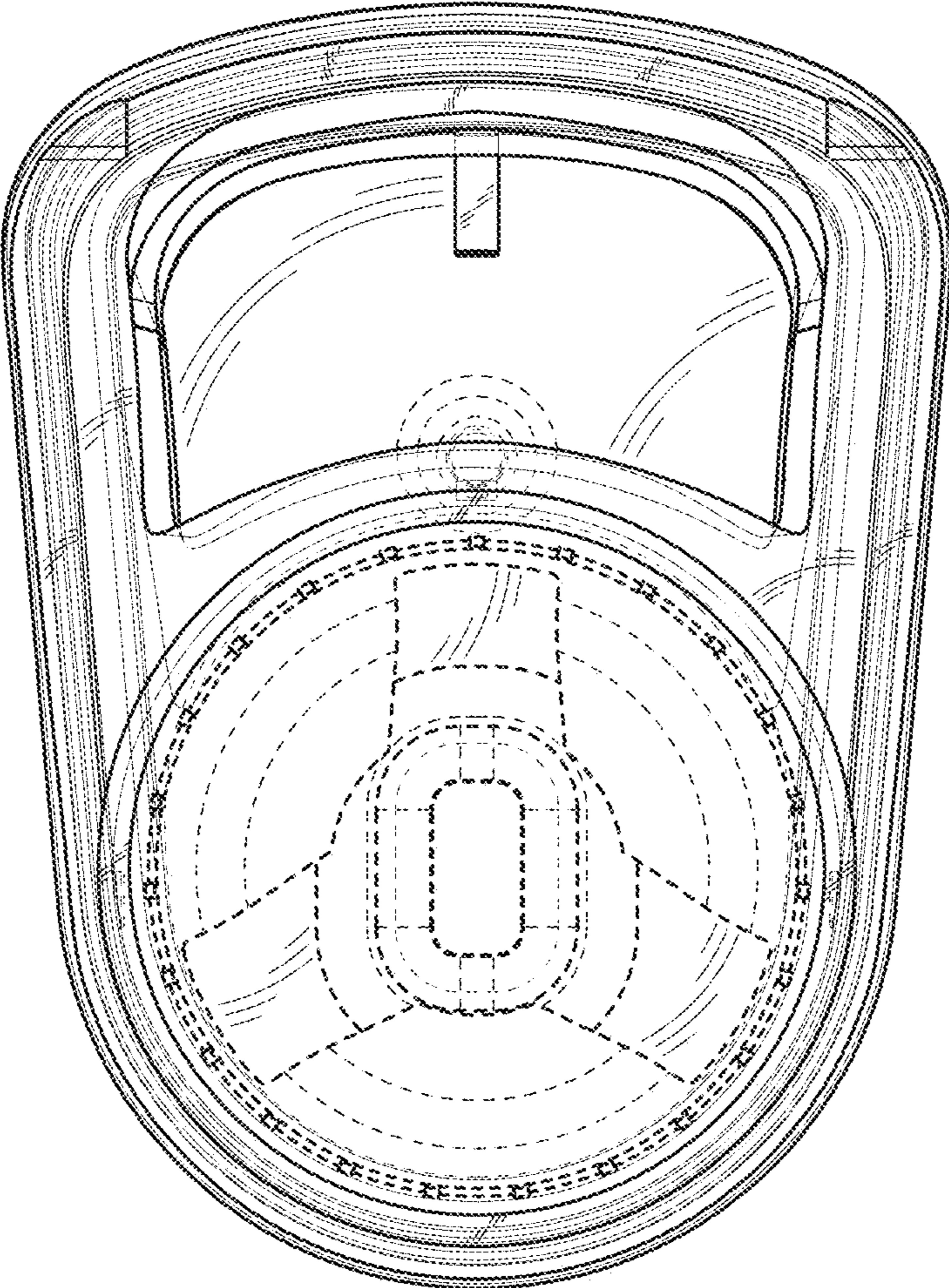


FIG. 7

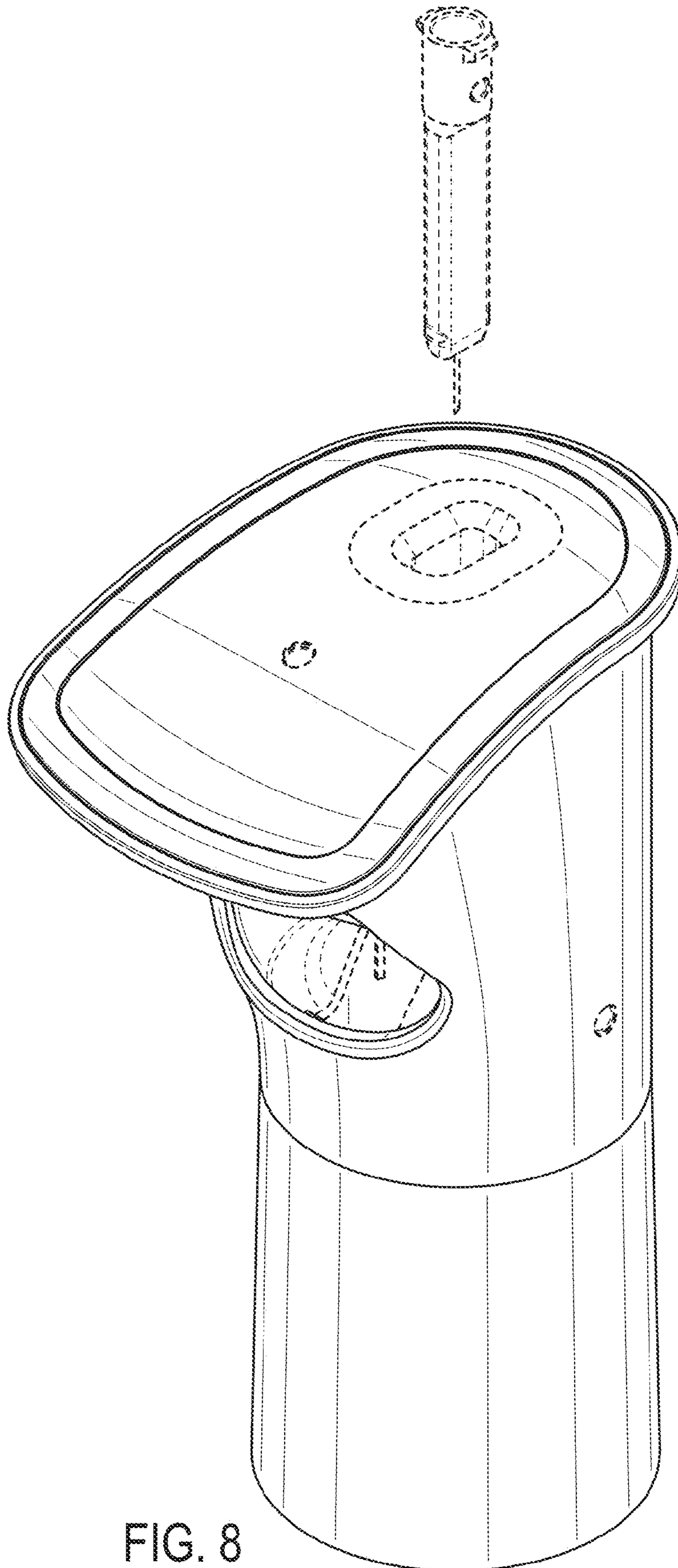


FIG. 8

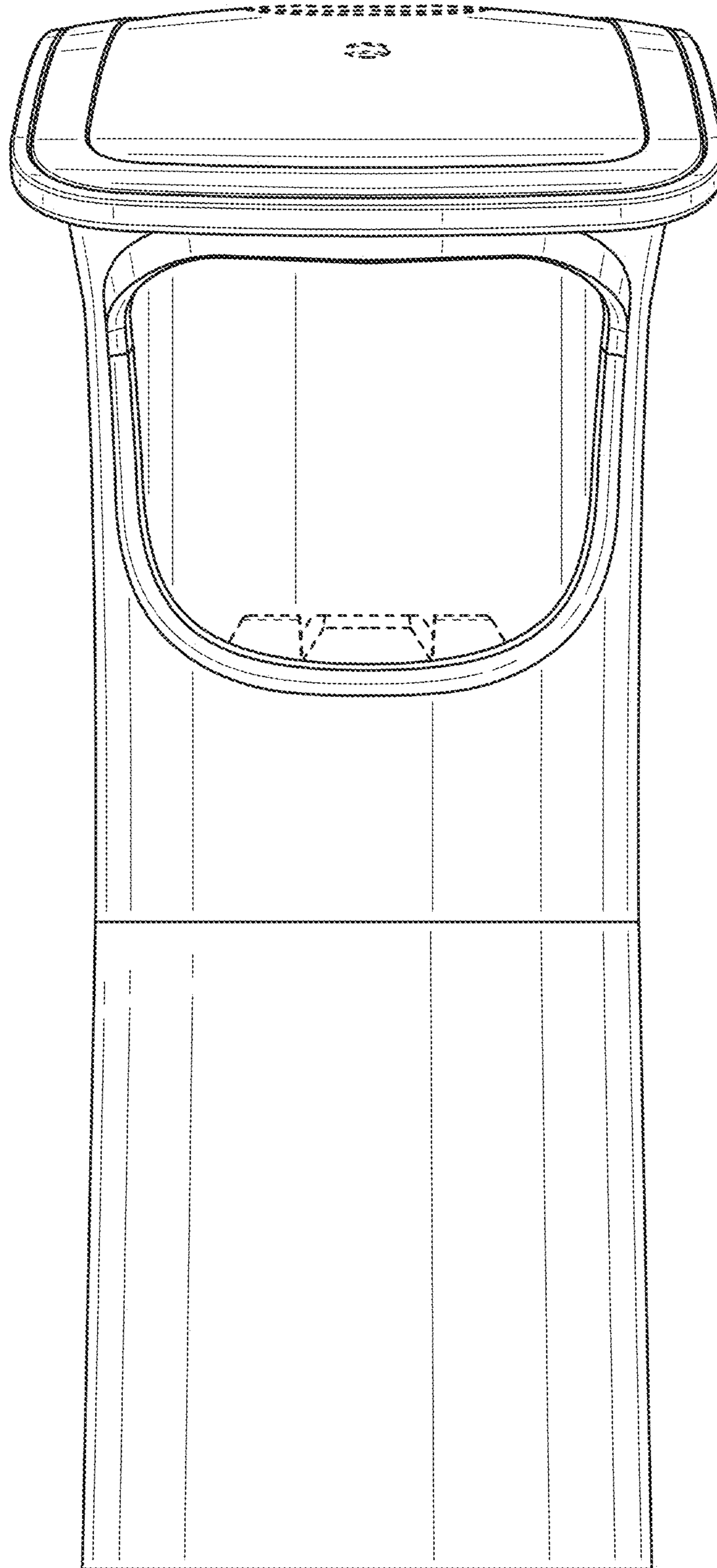


FIG. 9

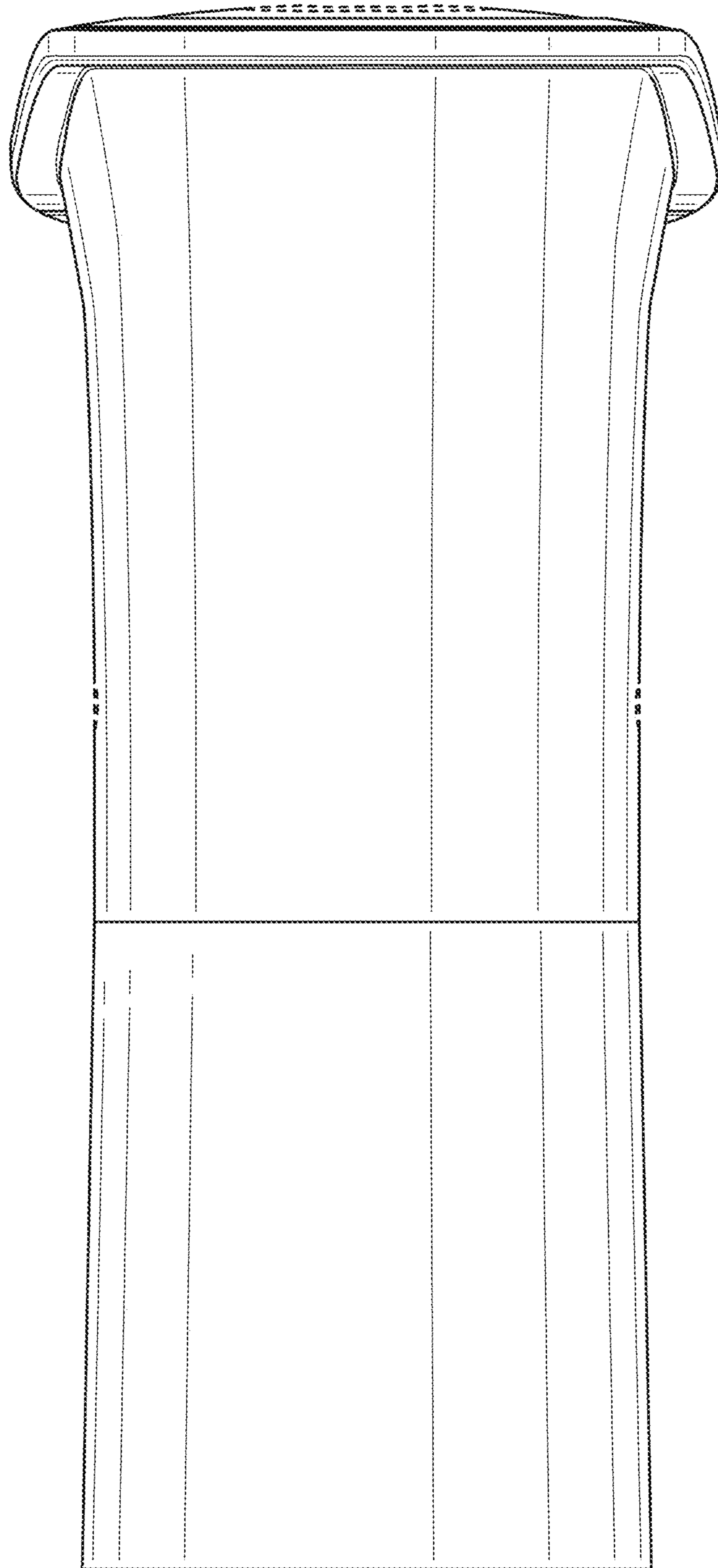


FIG. 10

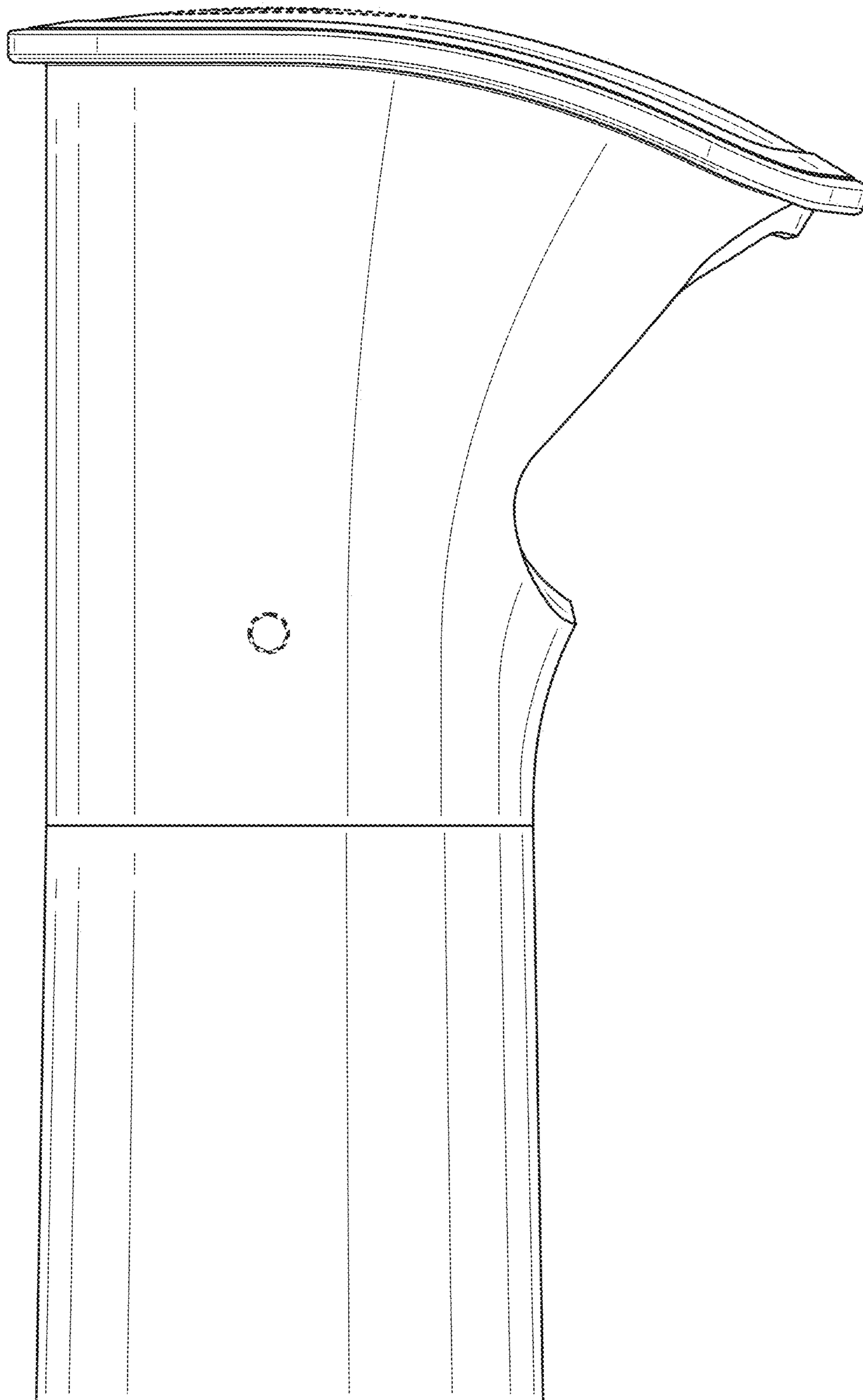


FIG. 11

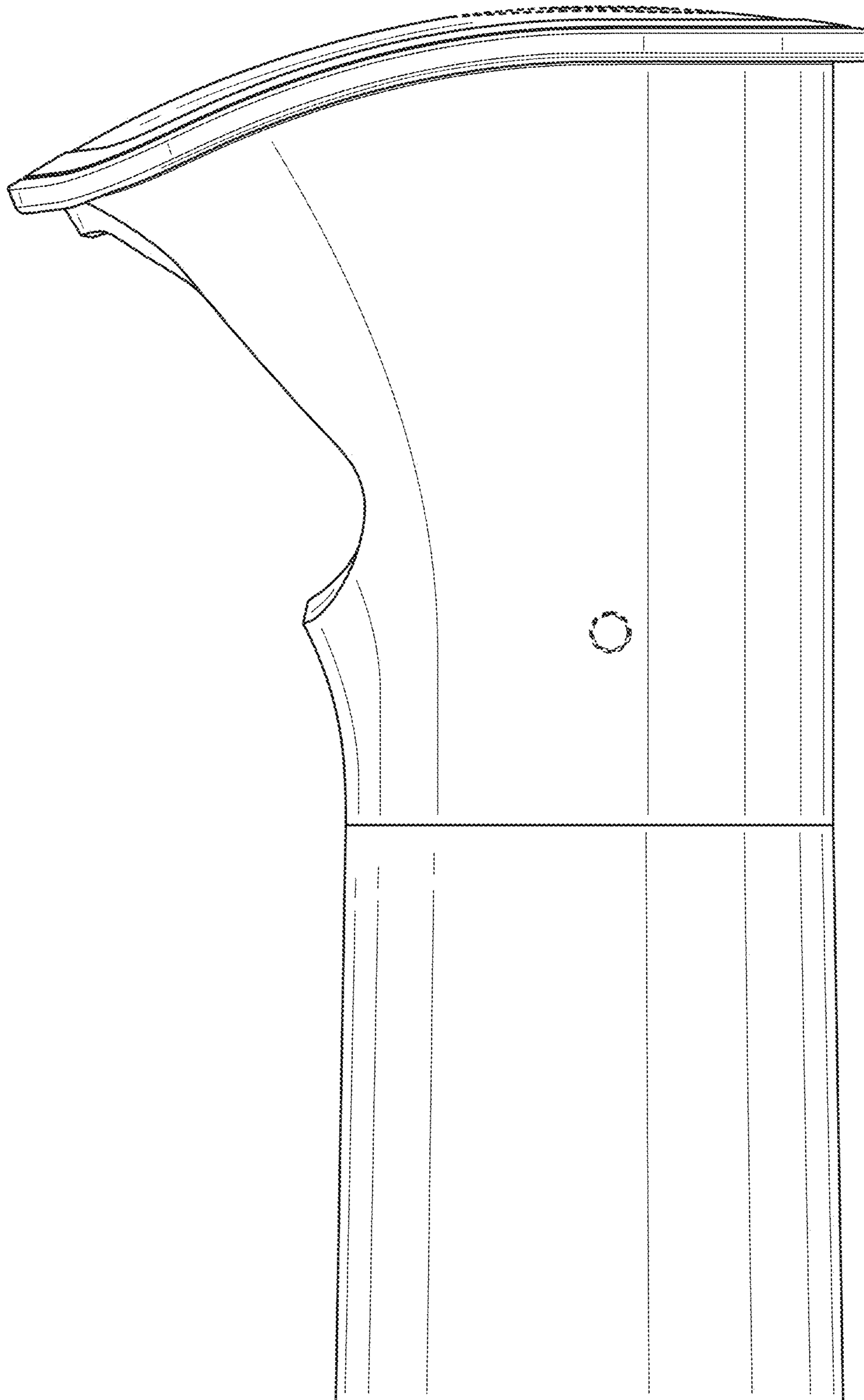


FIG. 12

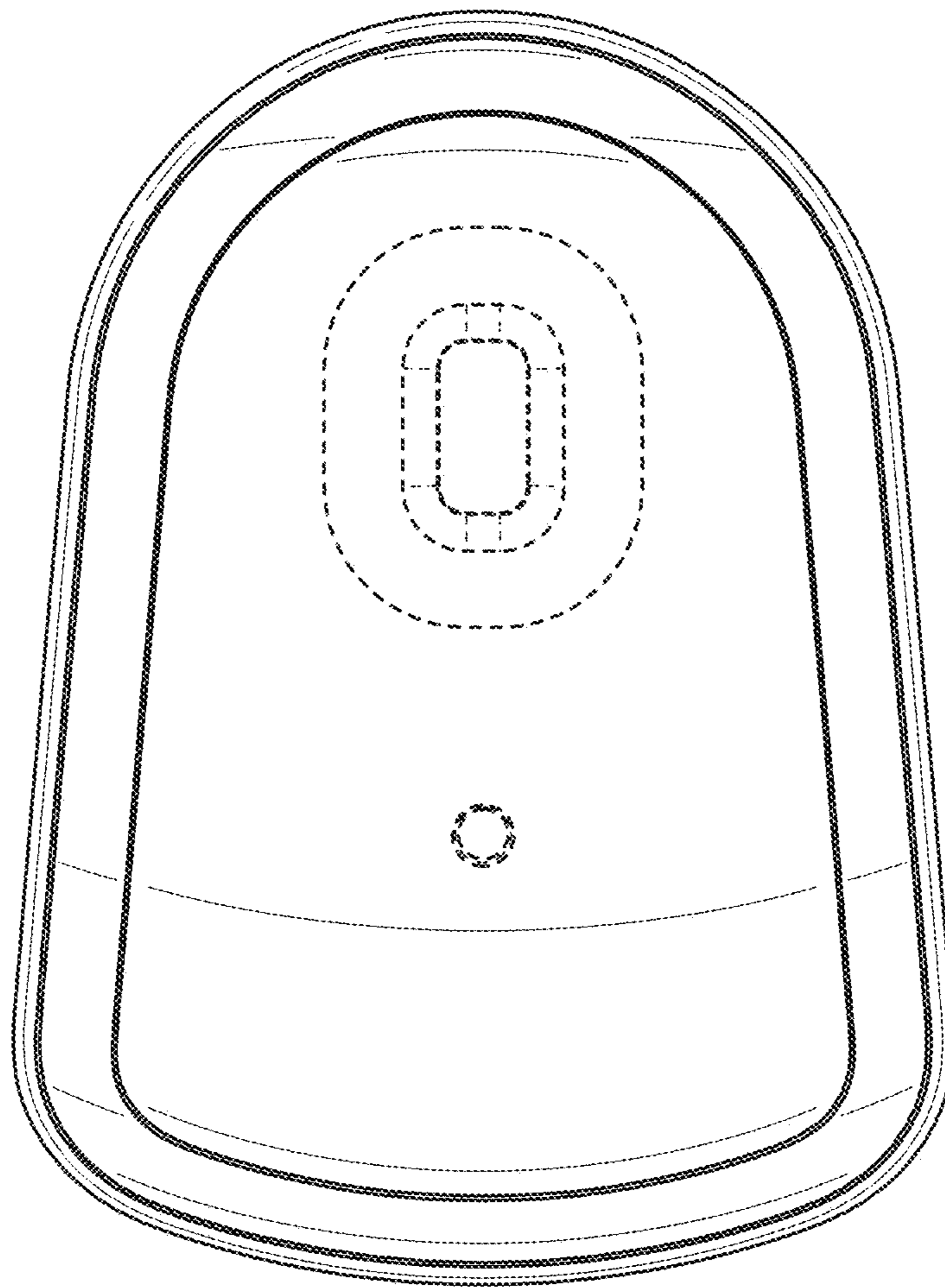


FIG. 13

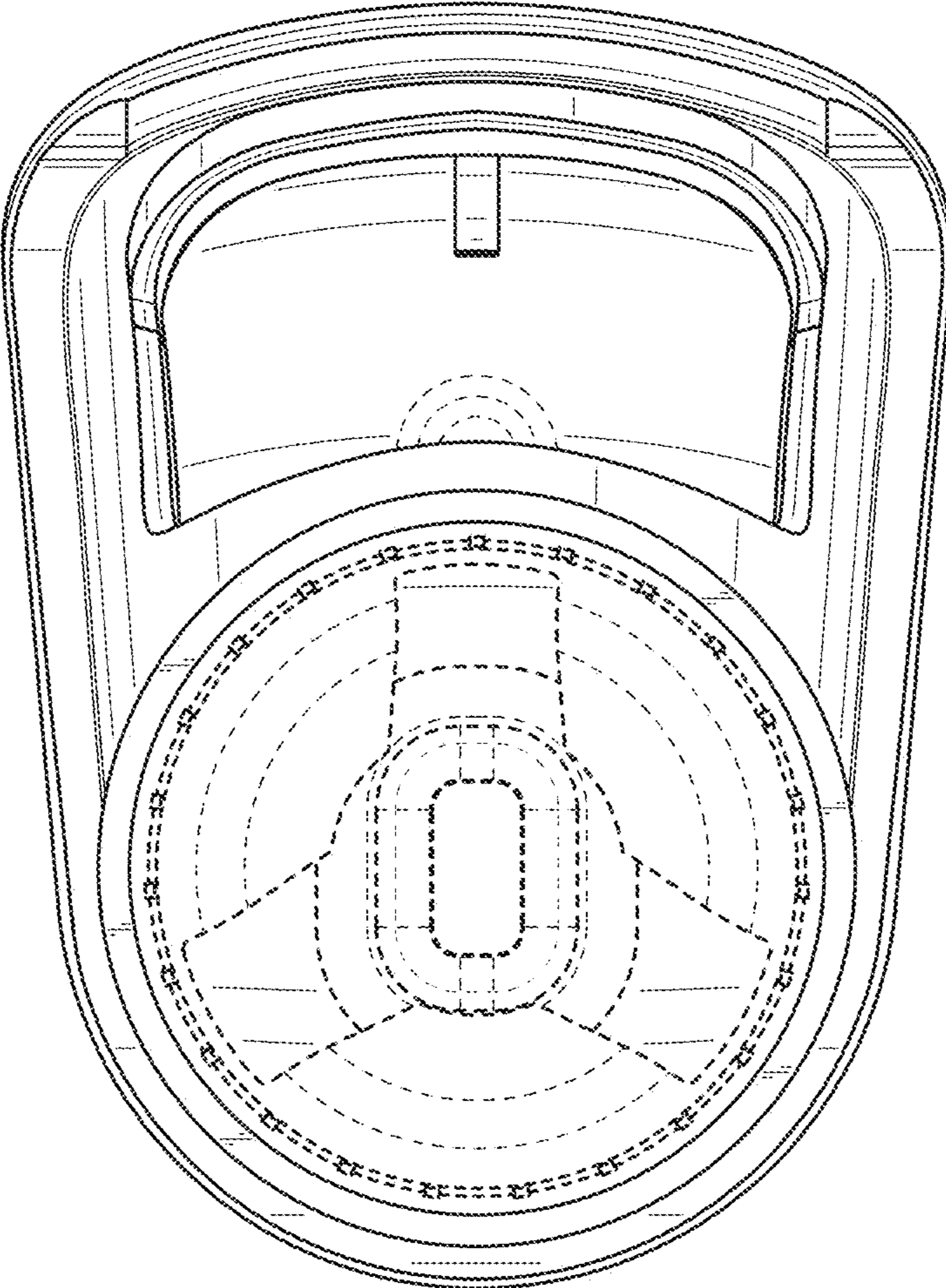


FIG. 14



UNITED STATES PATENT AND TRADEMARK OFFICE  
**CERTIFICATE OF CORRECTION**

PATENT NO. : D907,193 S  
APPLICATION NO. : 29/637734  
DATED : January 5, 2021  
INVENTOR(S) : Keith Daniel Alsberg et al.

Page 1 of 1

It is certified that error appears in the above-identified patent and that said Letters Patent is hereby corrected as shown below:

On the Title Page

Column 2 (Description), Lines 9-10: Delete “with another embodiment of the adapter being claimed” and insert -- is a perspective --, therefor.

Signed and Sealed this  
Sixteenth Day of February, 2021



Drew Hirshfeld  
*Performing the Functions and Duties of the  
Under Secretary of Commerce for Intellectual Property and  
Director of the United States Patent and Trademark Office*