



US00D907192S

(12) **United States Design Patent**  
**Fieldhouse**

(10) **Patent No.:** **US D907,192 S**

(45) **Date of Patent:** **\*\* Jan. 5, 2021**

(54) **FOUNDATION VENT**

(71) Applicant: **Air Vent, Inc.**, Dallas, TX (US)

(72) Inventor: **Richard Fieldhouse**, Portland, OR (US)

(73) Assignee: **Air Vent, Inc.**

(\*\*) Term: **15 Years**

(21) Appl. No.: **29/692,232**

(22) Filed: **May 23, 2019**

(51) **LOC (13) Cl.** ..... **23-03**

(52) **U.S. Cl.**  
USPC ..... **D23/393**

(58) **Field of Classification Search**  
USPC ..... D23/258, 327, 354, 370–373, 386–389,  
D23/392–393, 397, 399, 421

(Continued)

(56) **References Cited**

**U.S. PATENT DOCUMENTS**

3,528,606 A \* 9/1970 Witten ..... F24F 11/76  
236/48 R  
4,290,554 A \* 9/1981 Hensley ..... F24F 13/15  
236/101 D

(Continued)

**OTHER PUBLICATIONS**

“FVRABL Automatic Foundation Vent”, Jan. 16, 2007, Amazon,  
Site visited Nov. 18, 2020: <https://www.amazon.com/dp/B000KKKBOA/> (Year: 2007).\*

(Continued)

*Primary Examiner* — Jack Reickel

*Assistant Examiner* — Bobby W Jones, II

(74) *Attorney, Agent, or Firm* — Jennifer Meredith, Esq.;  
Lippes Mathias Wexler Friedman LLP

(57) **CLAIM**

I claim the ornamental design for a foundation vent, as shown as described.

**DESCRIPTION**

FIG. 1 is a top perspective view of the foundation vent with portions in dotted lines forming no portion of the claimed design;

FIG. 2 is a top perspective view of the foundation vent with portions in dotted lines forming no portion of the claimed design;

FIG. 3 is a bottom perspective view of the foundation vent with portions in dotted lines forming no portion of the claimed design;

FIG. 4 is a rear side view of the foundation vent with portions in dotted lines forming no portion of the claimed design;

FIG. 5 is a front side perspective view of the foundation vent with portions in dotted lines forming no portion of the claimed design;

FIG. 6 is a left side view of the foundation vent with portions in dotted lines forming no portion of the claimed design;

FIG. 7 is a right side view of the foundation vent with portions in dotted lines forming no portion of the claimed design;

FIG. 8 is a top side view of the foundation vent; FIG. 9 is a bottom side view of the foundation vent with portions in dotted lines forming no portion of the claimed design;

FIG. 10 is a top perspective view of the foundation vent with portions in dotted lines forming no portion of the claimed design and depicting the location of the cutaway depicted in FIG. 11;

FIG. 11 is a top perspective view of the foundation vent with portions in dotted lines forming no portion of the claimed design and depicting the cutaway of FIG. 10;

FIG. 12 is a top perspective view of the foundation vent with portions in dotted lines forming no portion of the claimed design and depicting the location of the cutaway depicted in FIG. 13;

(Continued)

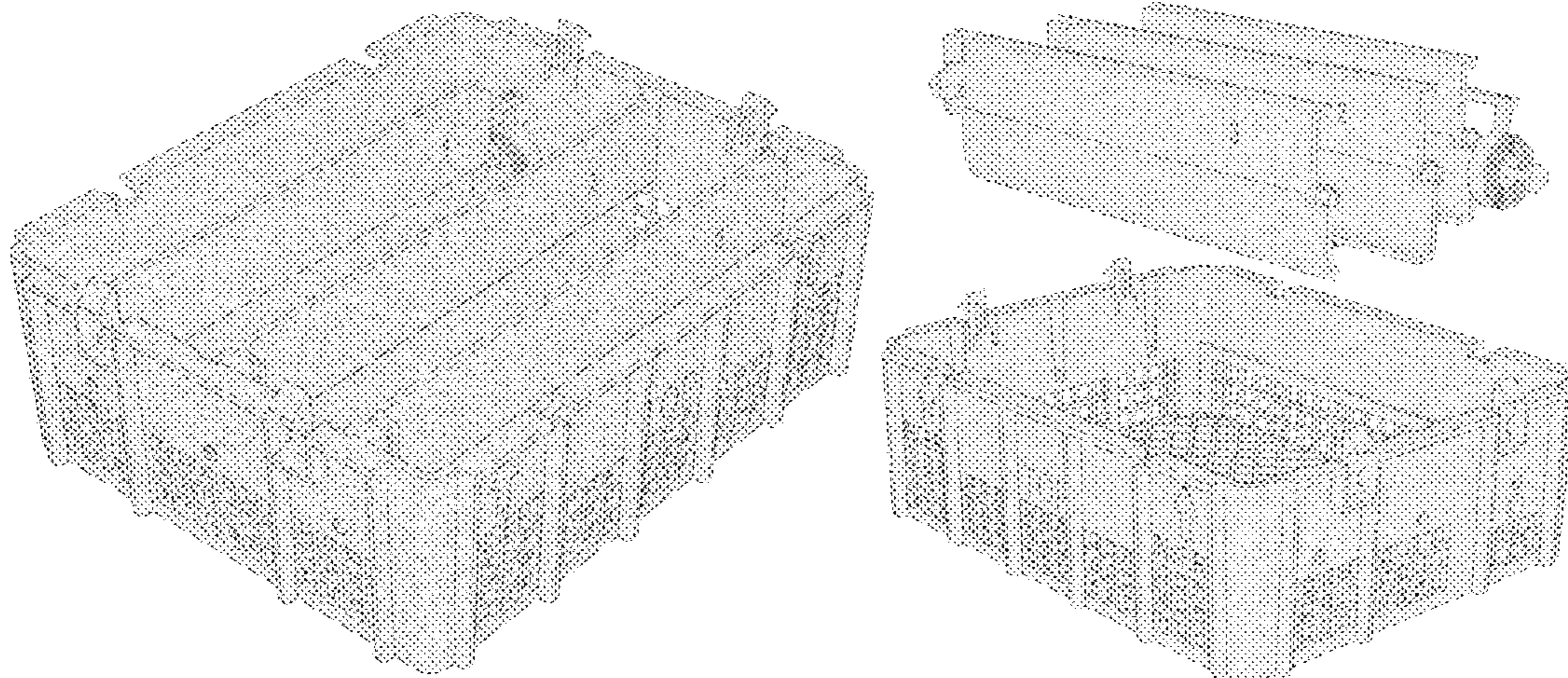


FIG. 13 is a top perspective view of the foundation vent with portions in dotted lines forming no portion of the claimed design and depicting the cutaway of FIG. 12;

FIG. 14 is an exploded view of the foundation vent with portions in dotted lines forming no portion of the claimed design;

FIG. 15 is an exploded view of the foundation vent with portions in dotted lines forming no portion of the claimed design;

FIG. 16 is an exploded view of the foundation vent with portions in dotted lines forming no portion of the claimed design; and,

FIG. 17 is an exploded side view of portions of the foundation vent.

**1 Claim, 17 Drawing Sheets**

(58) **Field of Classification Search**

CPC ..... F24F 13/16; F24F 13/18; F24F 13/142;  
 F24F 13/1413; F24F 2011/0002; F24F  
 2013/1473

See application file for complete search history.

(56)

**References Cited**

U.S. PATENT DOCUMENTS

4,328,927	A *	5/1982	McSwain .....	F24F 11/76 236/49.5
4,493,456	A	1/1985	Sarazen	
4,669,371	A	6/1987	Sarazen	
4,699,045	A *	10/1987	Hensley .....	F24F 13/32 236/49.5
4,715,532	A *	12/1987	Sarazen, Jr. ....	F24F 13/15 236/49.5
4,754,696	A *	7/1988	Sarazen .....	F24F 13/15 236/49.5
4,844,120	A *	7/1989	Myers .....	F24F 13/1426 454/335
4,962,882	A *	10/1990	Sarazen, Jr. ....	F24F 13/15 236/49.5
5,293,920	A *	3/1994	Vagedes .....	E06B 7/084 160/104
5,957,373	A *	9/1999	Sarazen, Jr. ....	F24F 11/76 236/49.5
7,780,509	B1	8/2010	Hoaks	
2019/0376709	A1 *	12/2019	Fieldhouse .....	F24F 13/1413

OTHER PUBLICATIONS

“Witten Automatic Vent 306MBL”, Feb. 21, 2010, Amazon, Site visited Nov. 18, 2020: <https://www.amazon.com/dp/B002Q752DA/> (Year: 2010).\*

\* cited by examiner



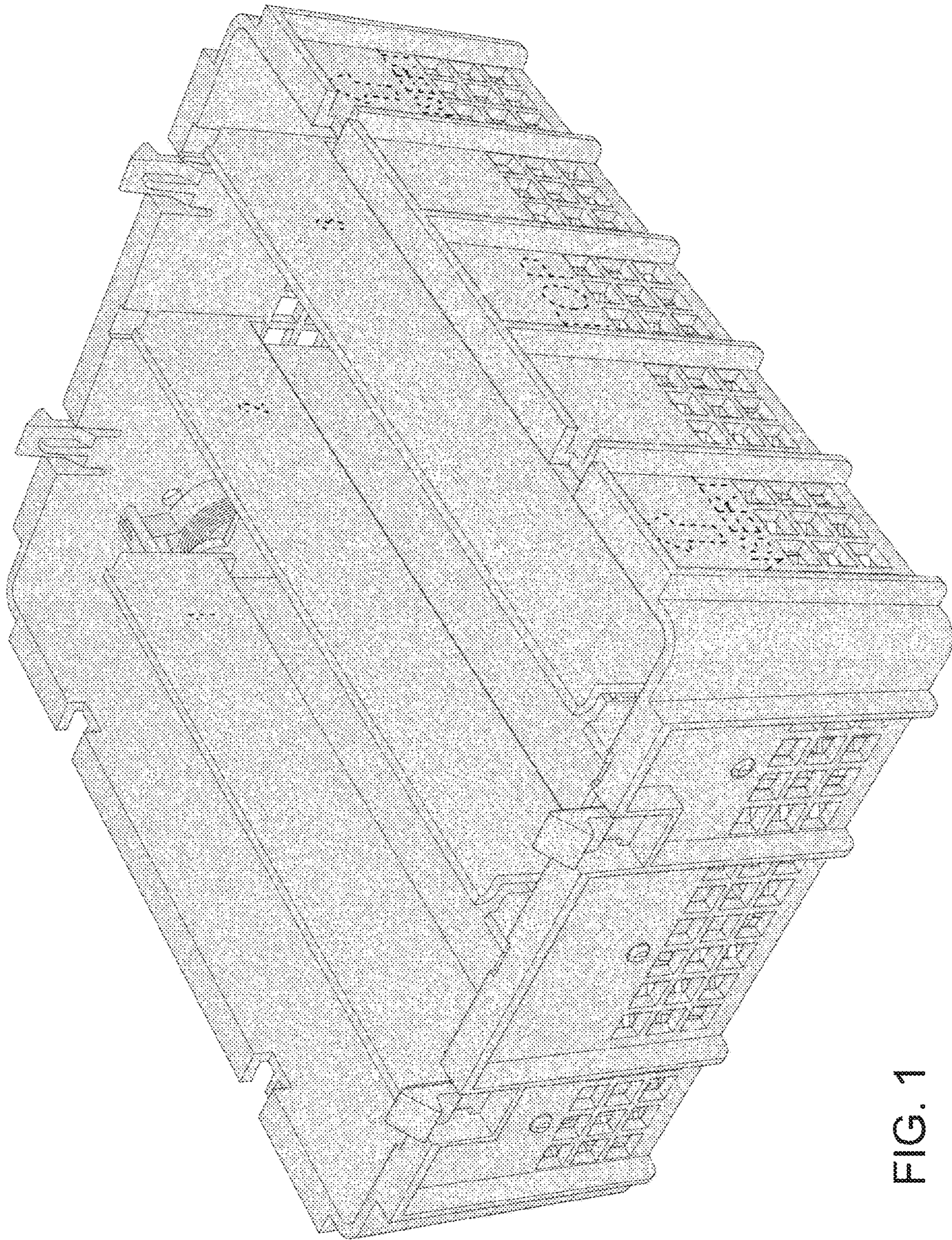


FIG. 1



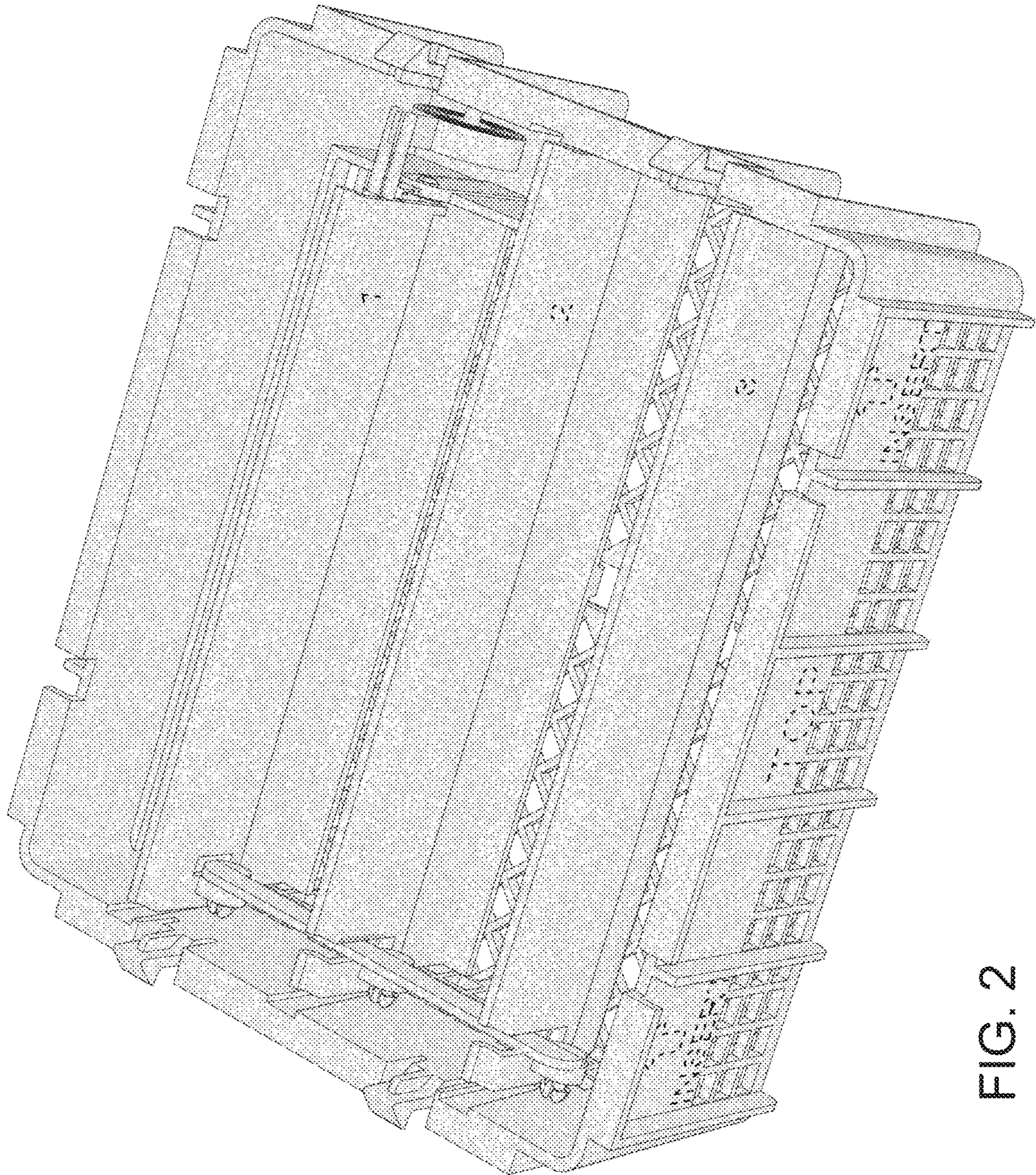


FIG. 2



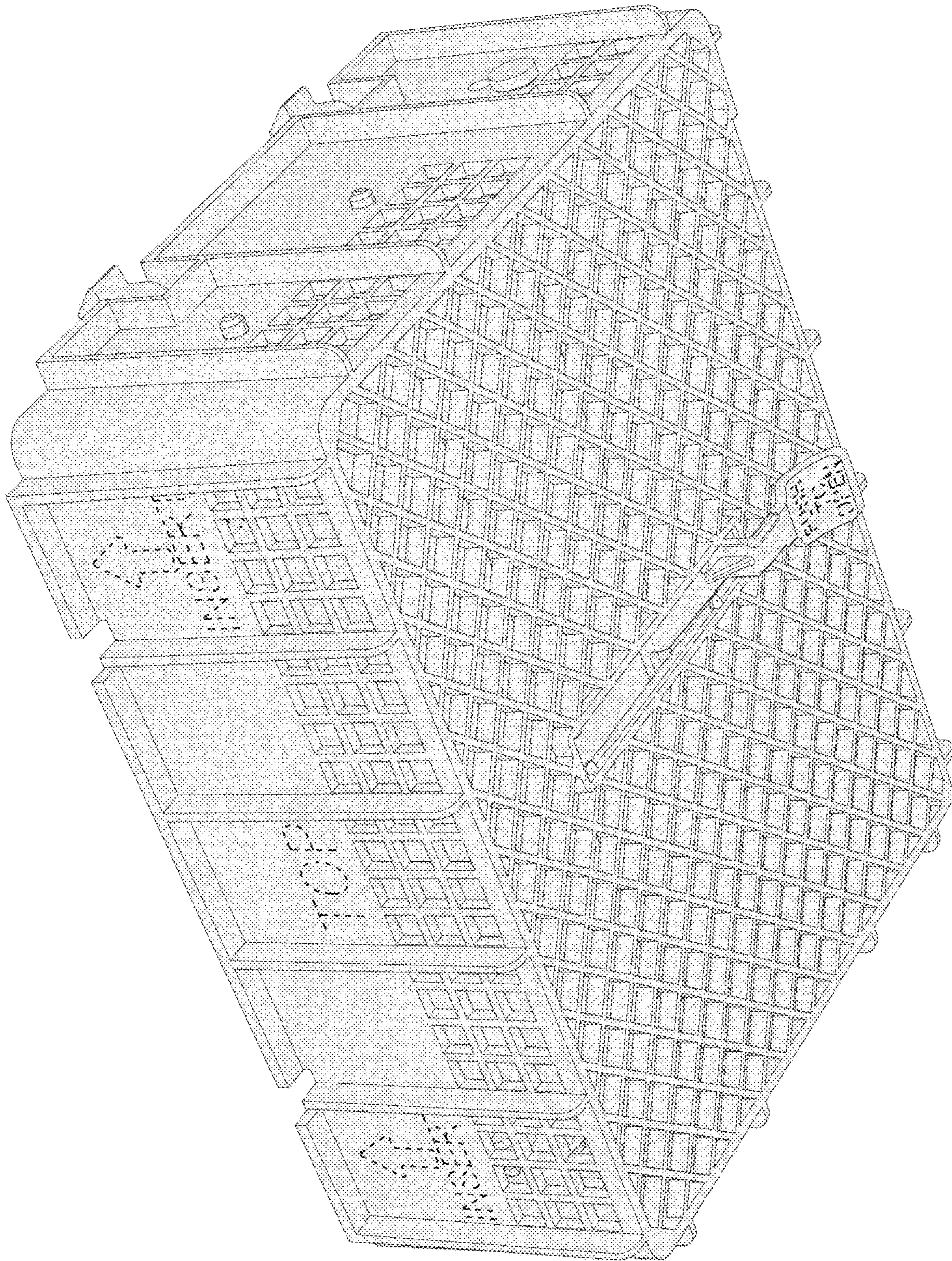


FIG. 3



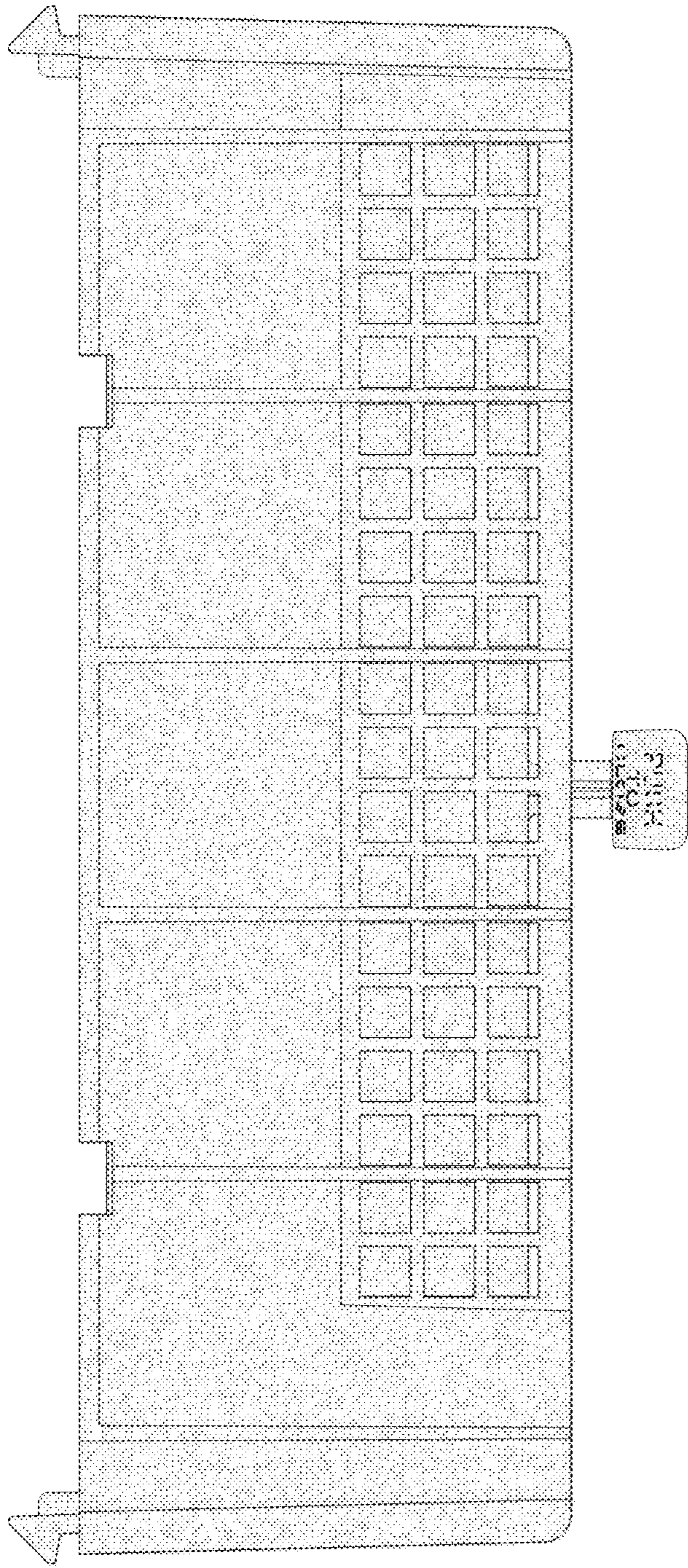


FIG. 4

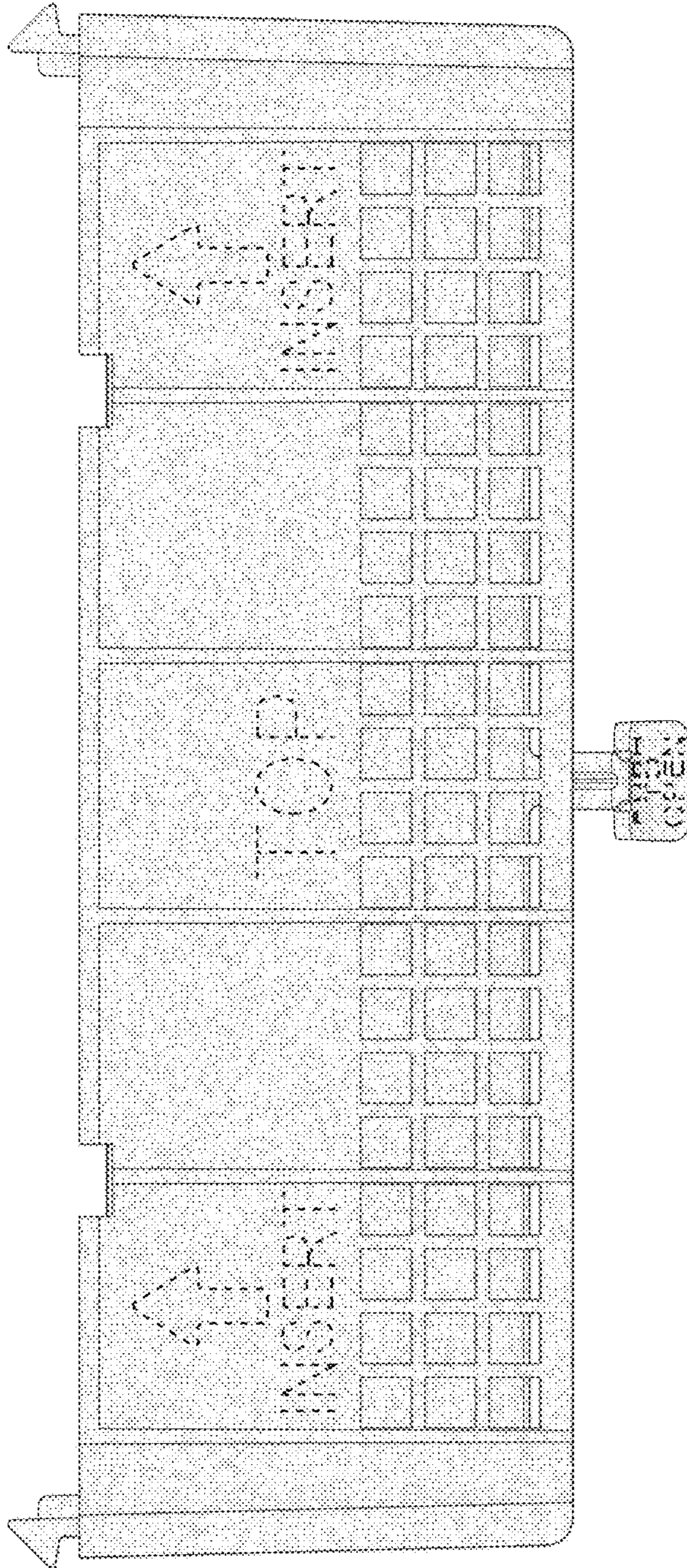


FIG. 5



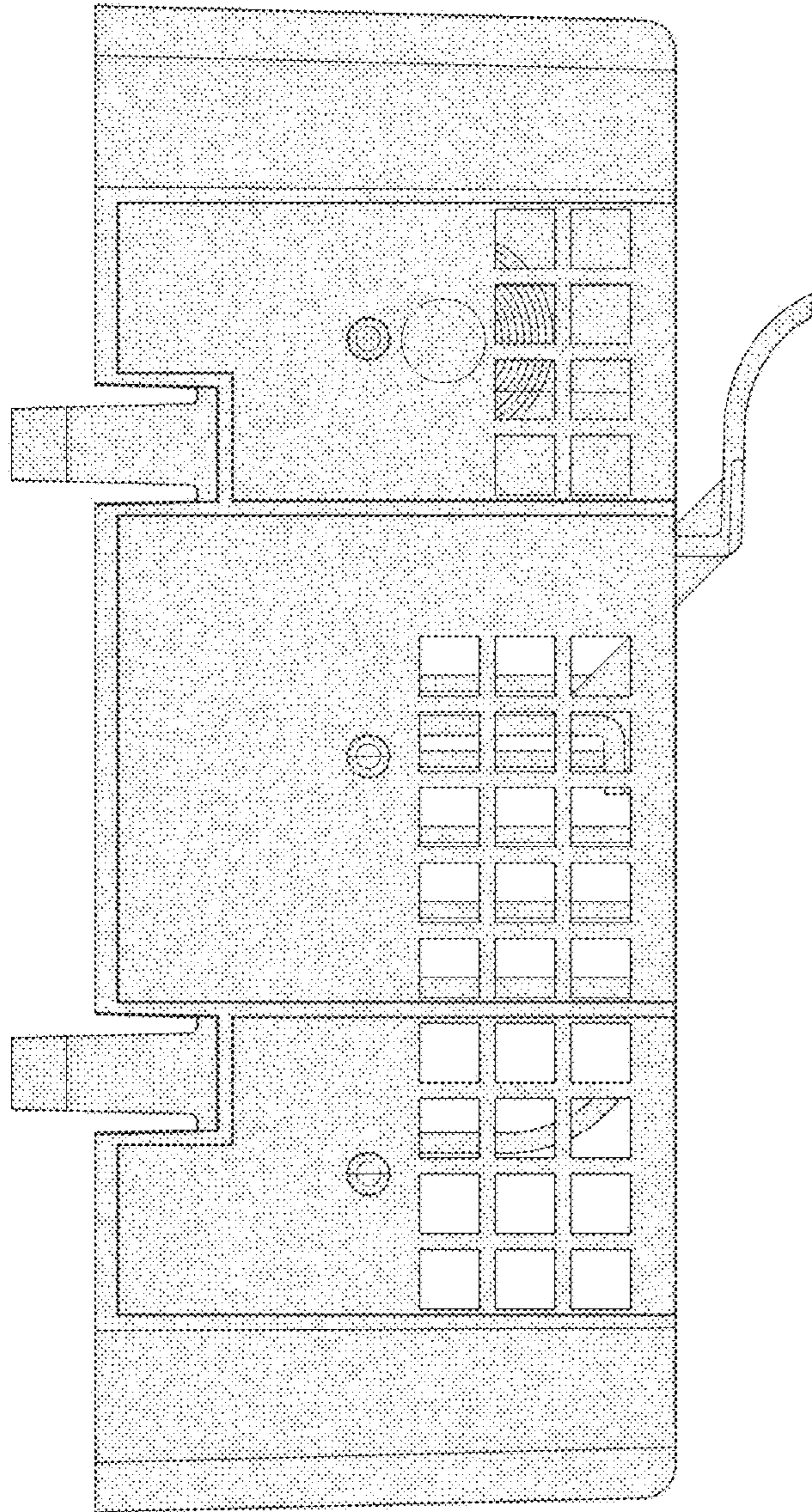


FIG. 6



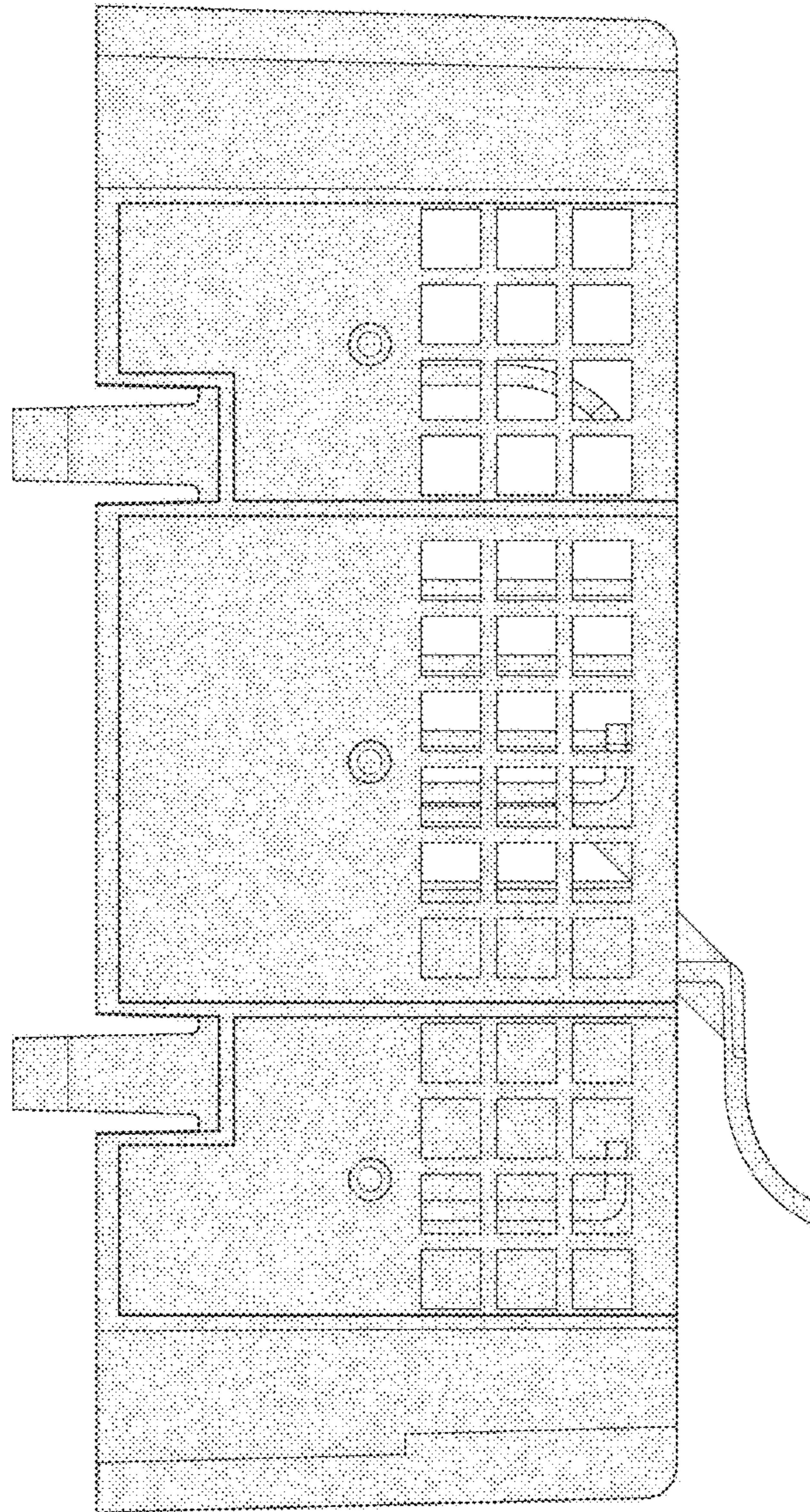


FIG. 7



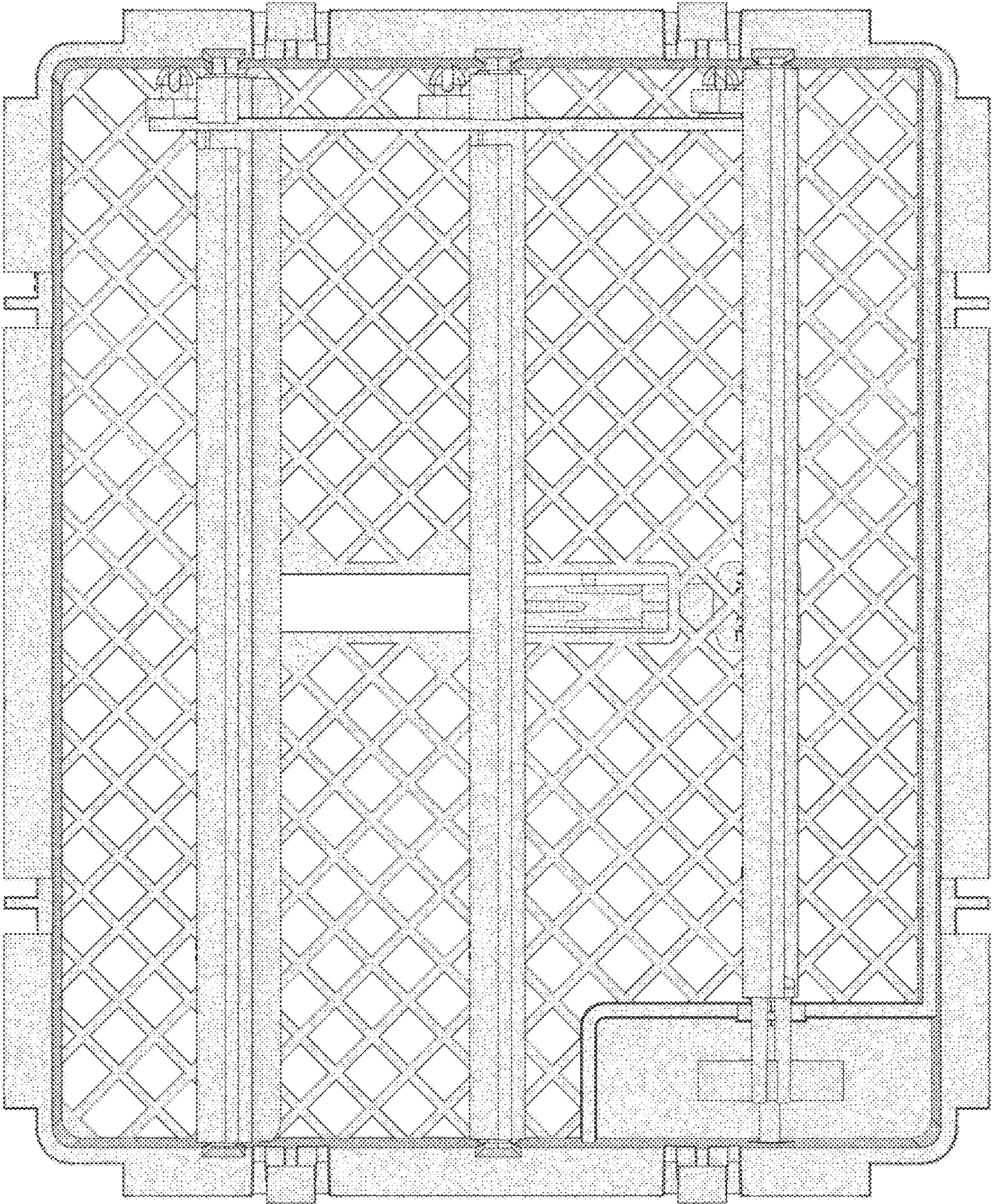


FIG. 8



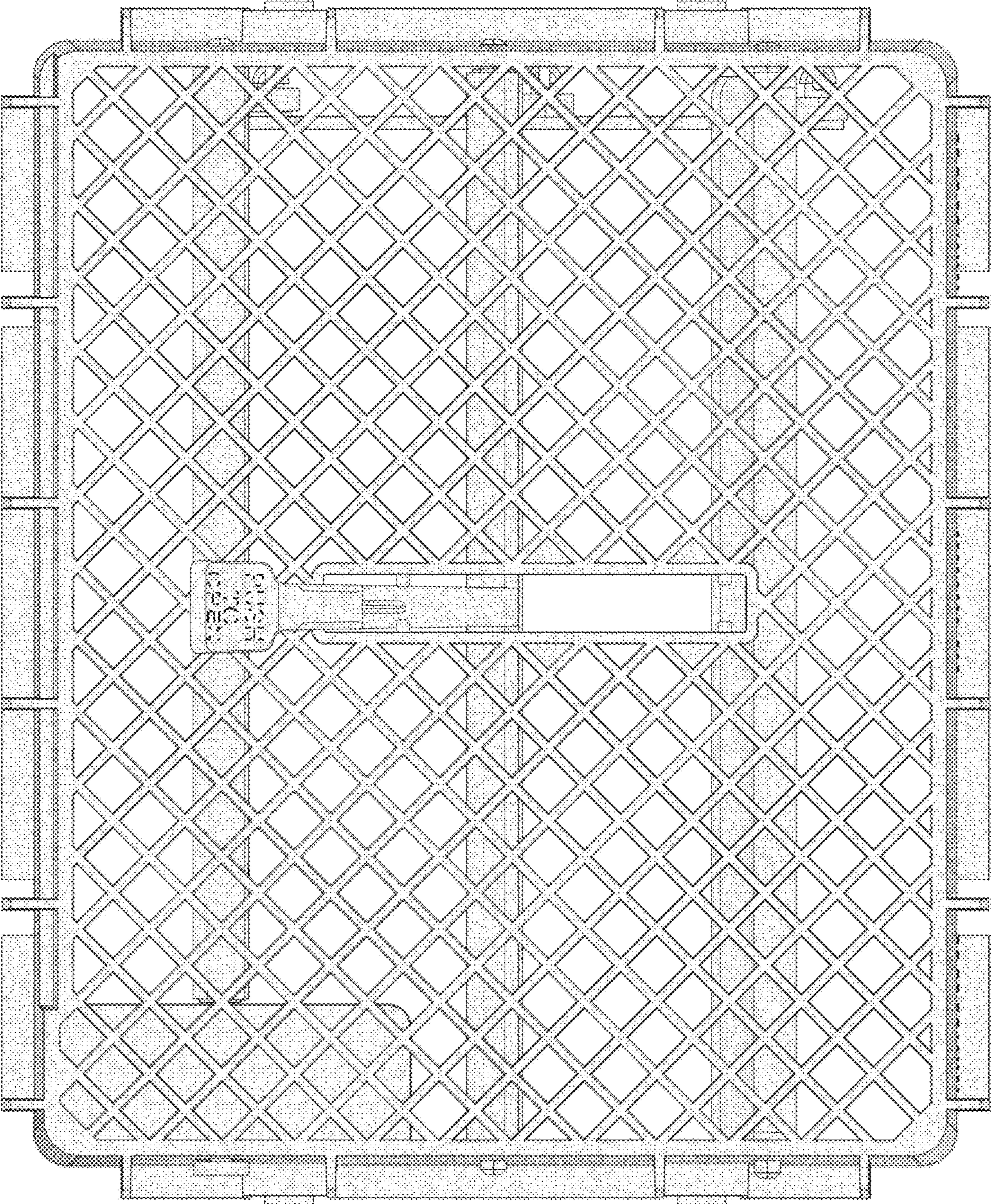


FIG. 9



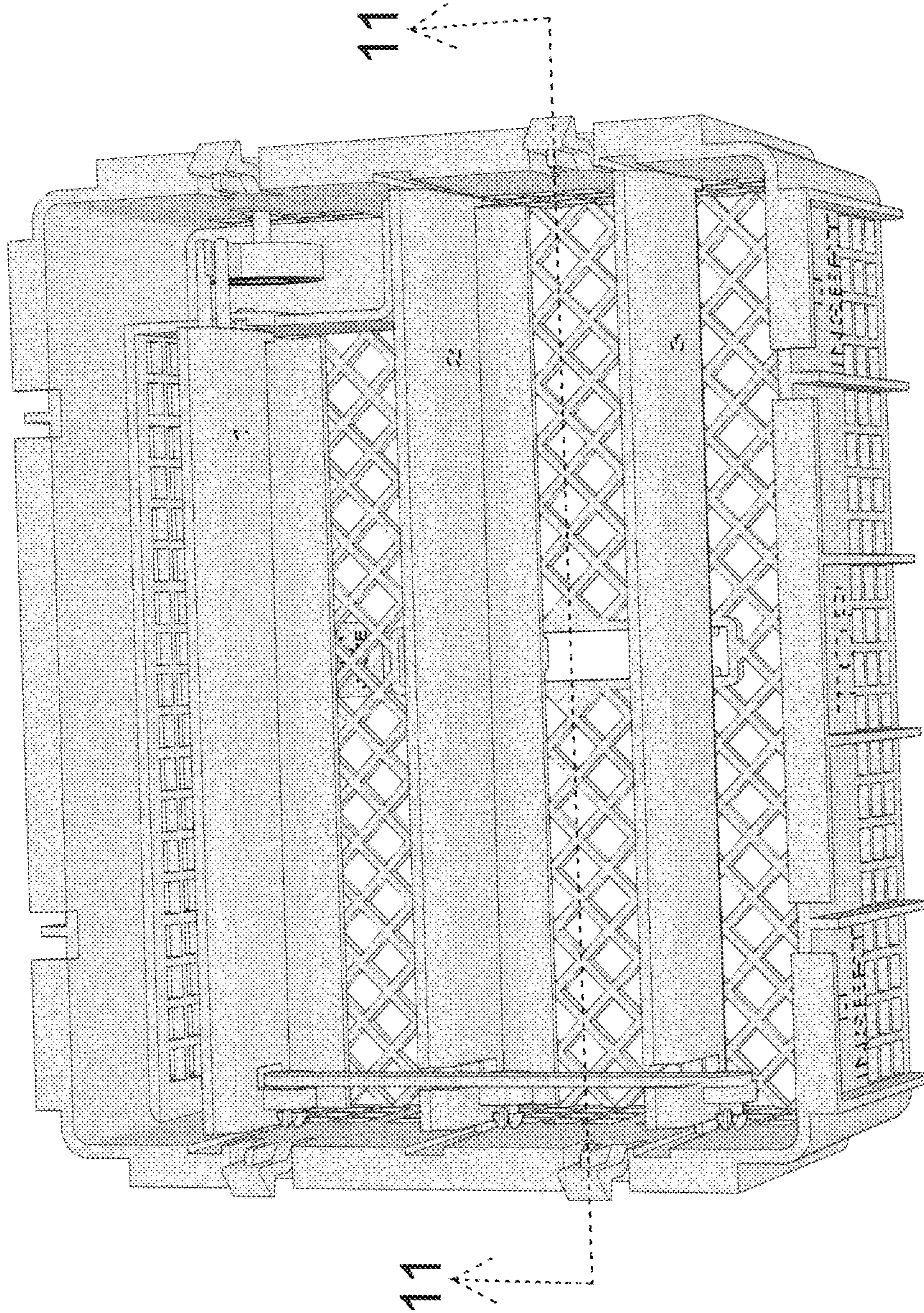


FIG. 10



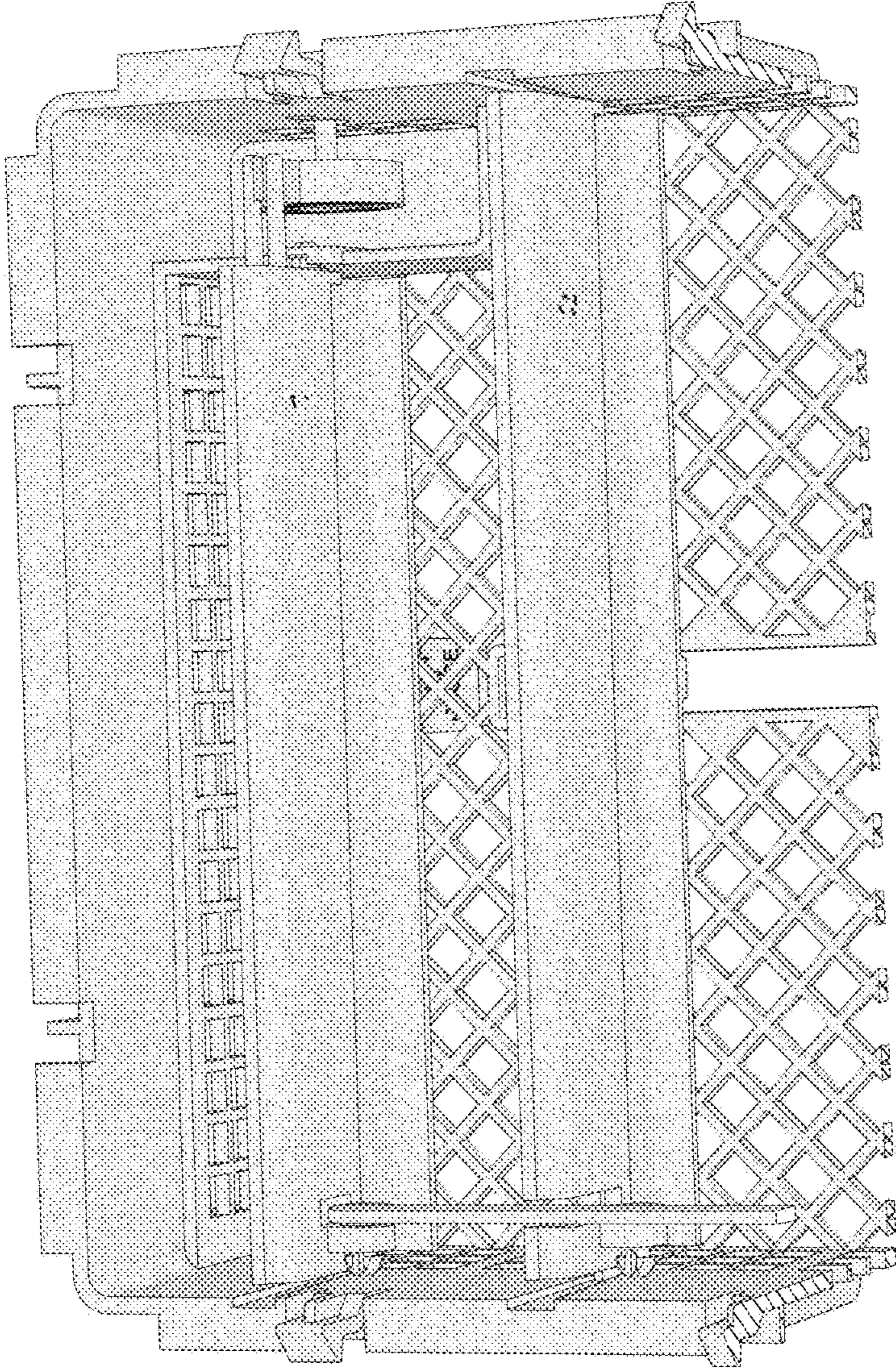


FIG. 11



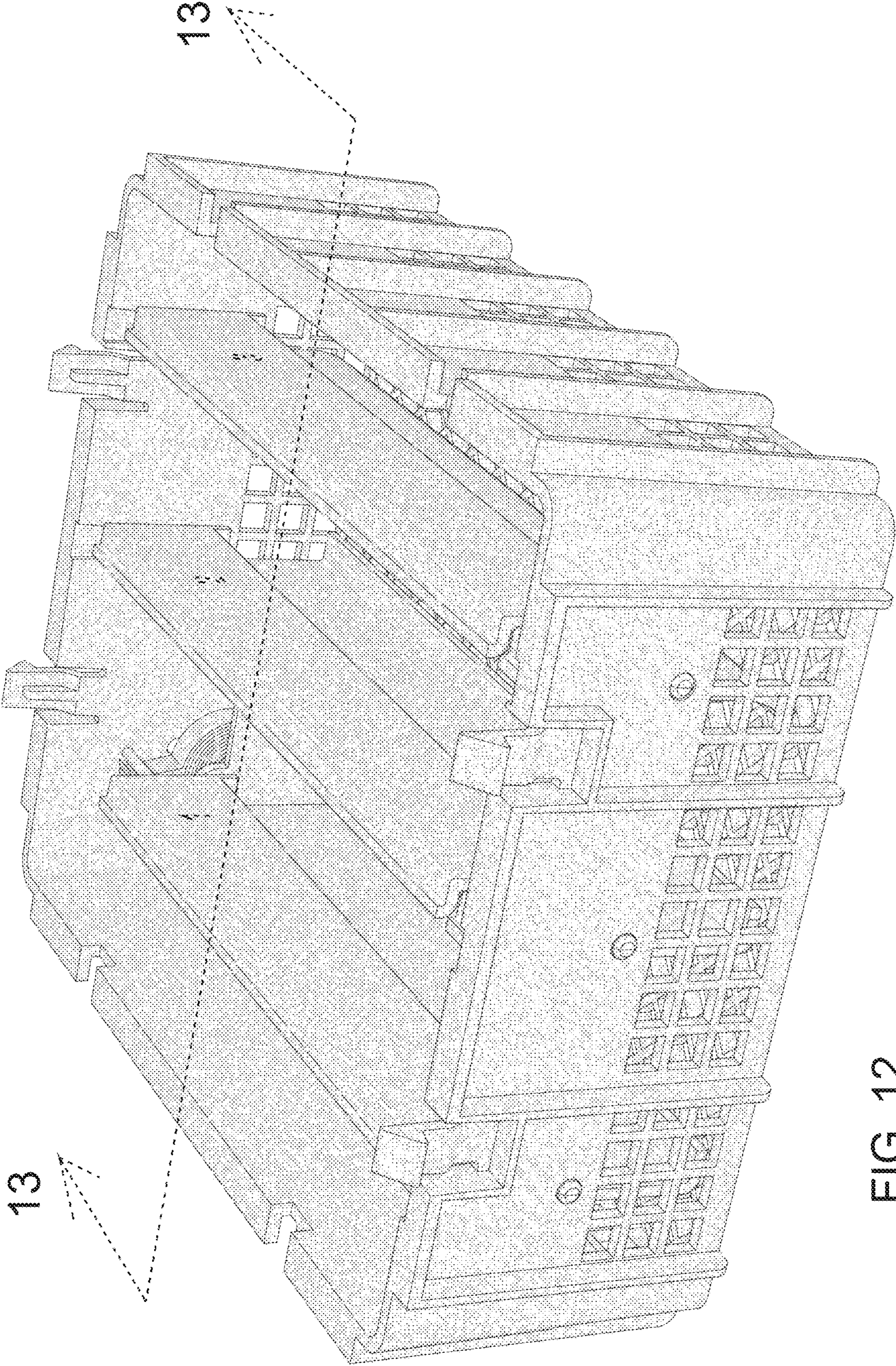


FIG. 12



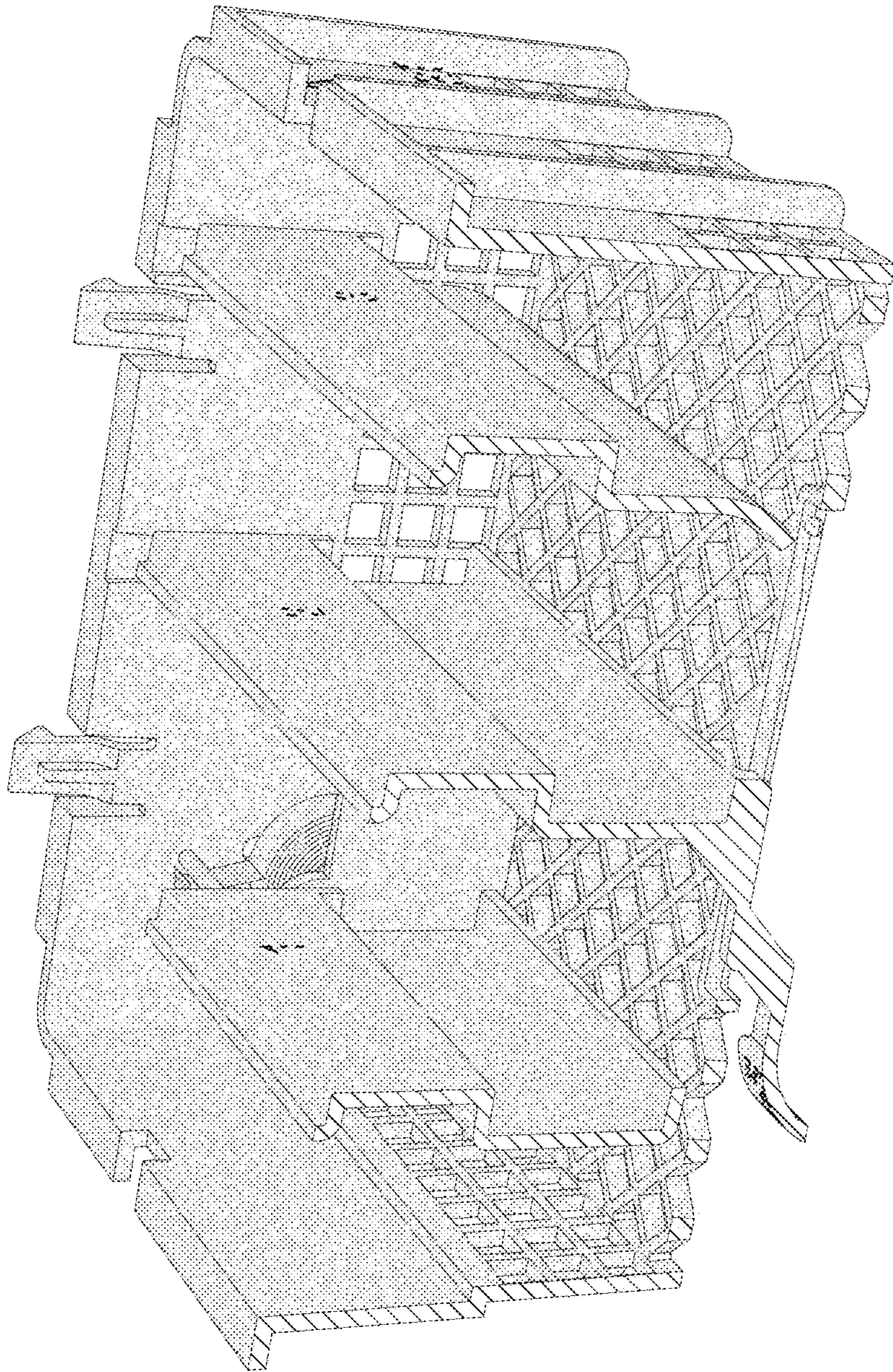


FIG. 13



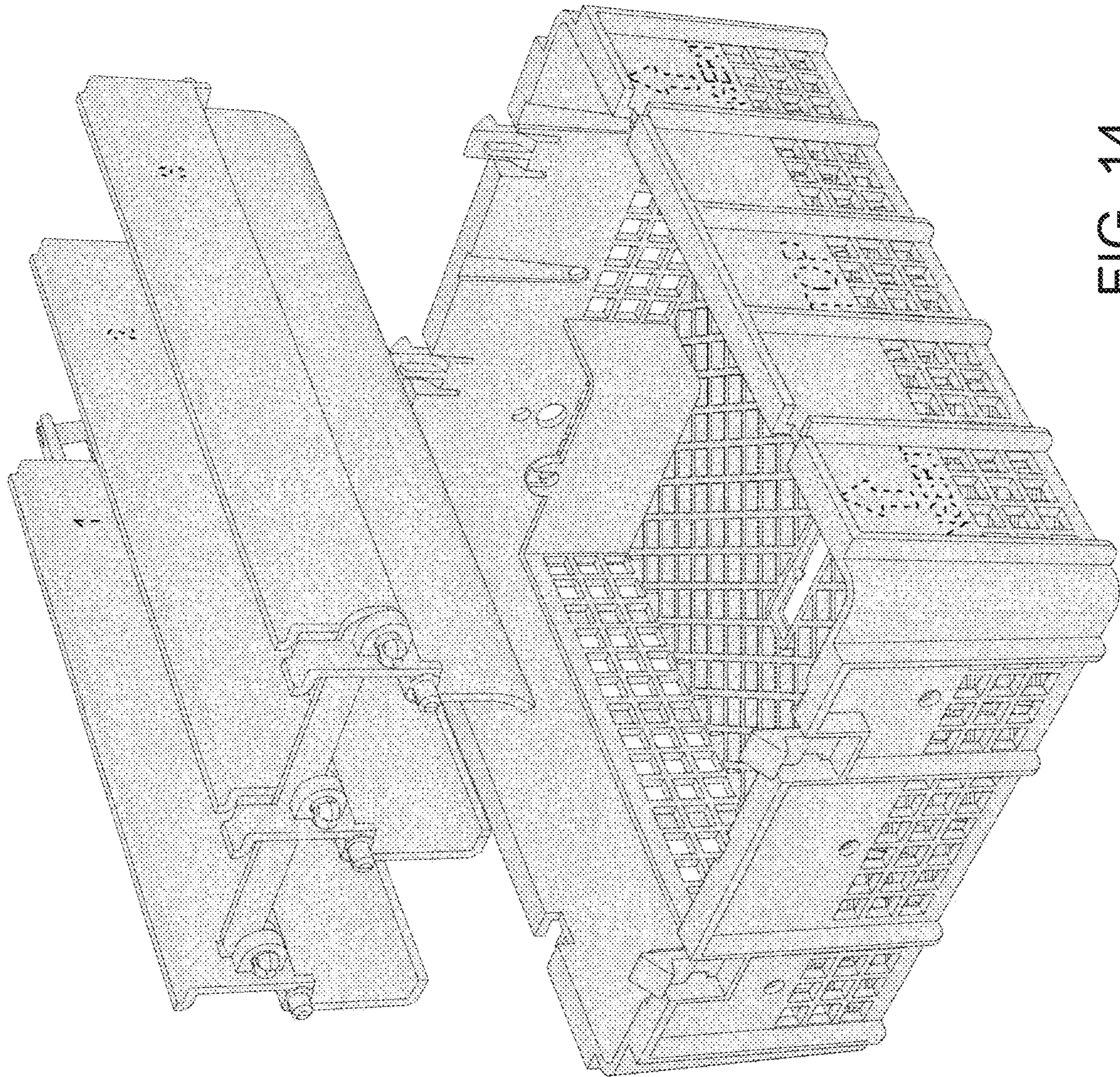


FIG. 14



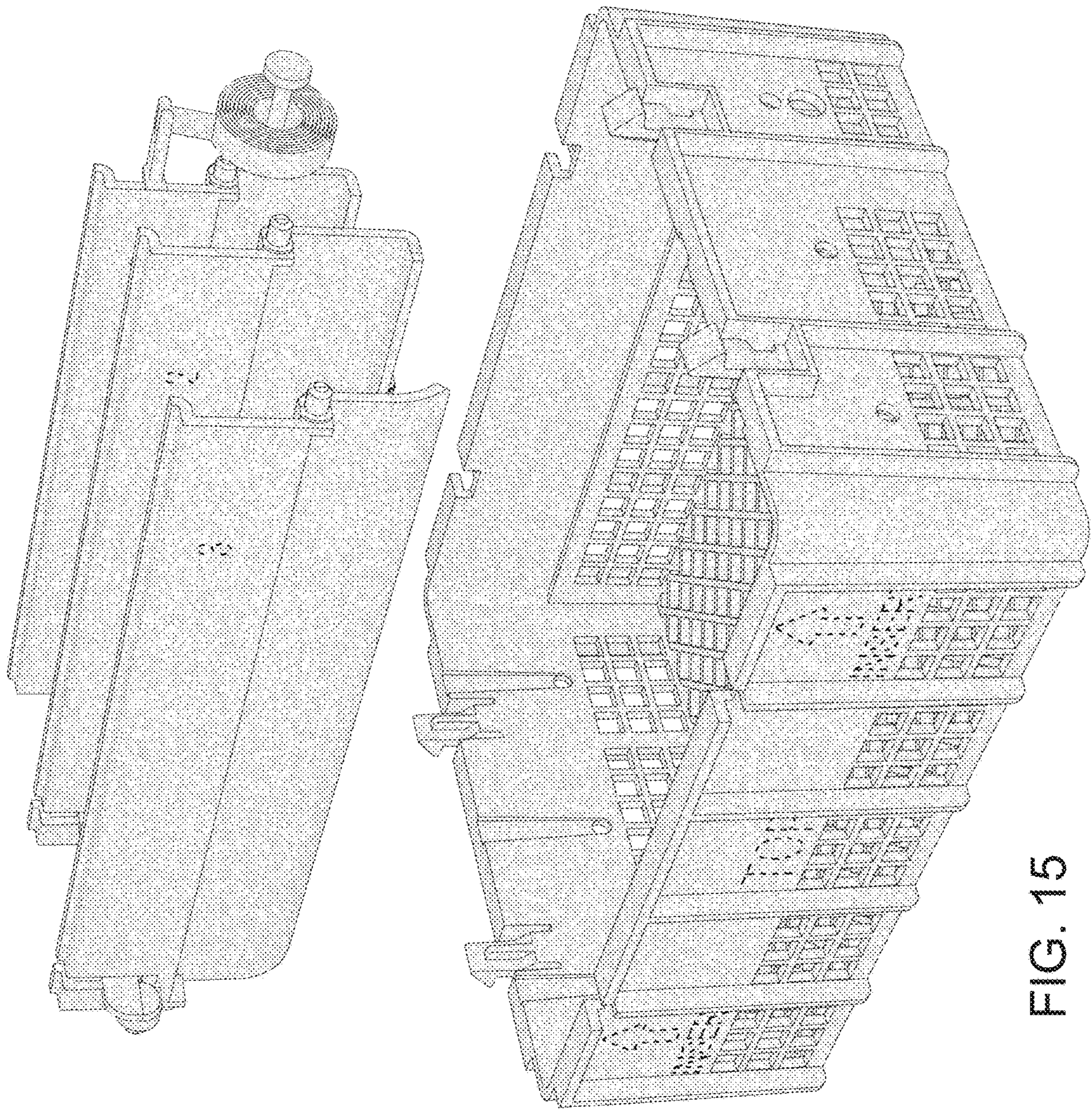


FIG. 15



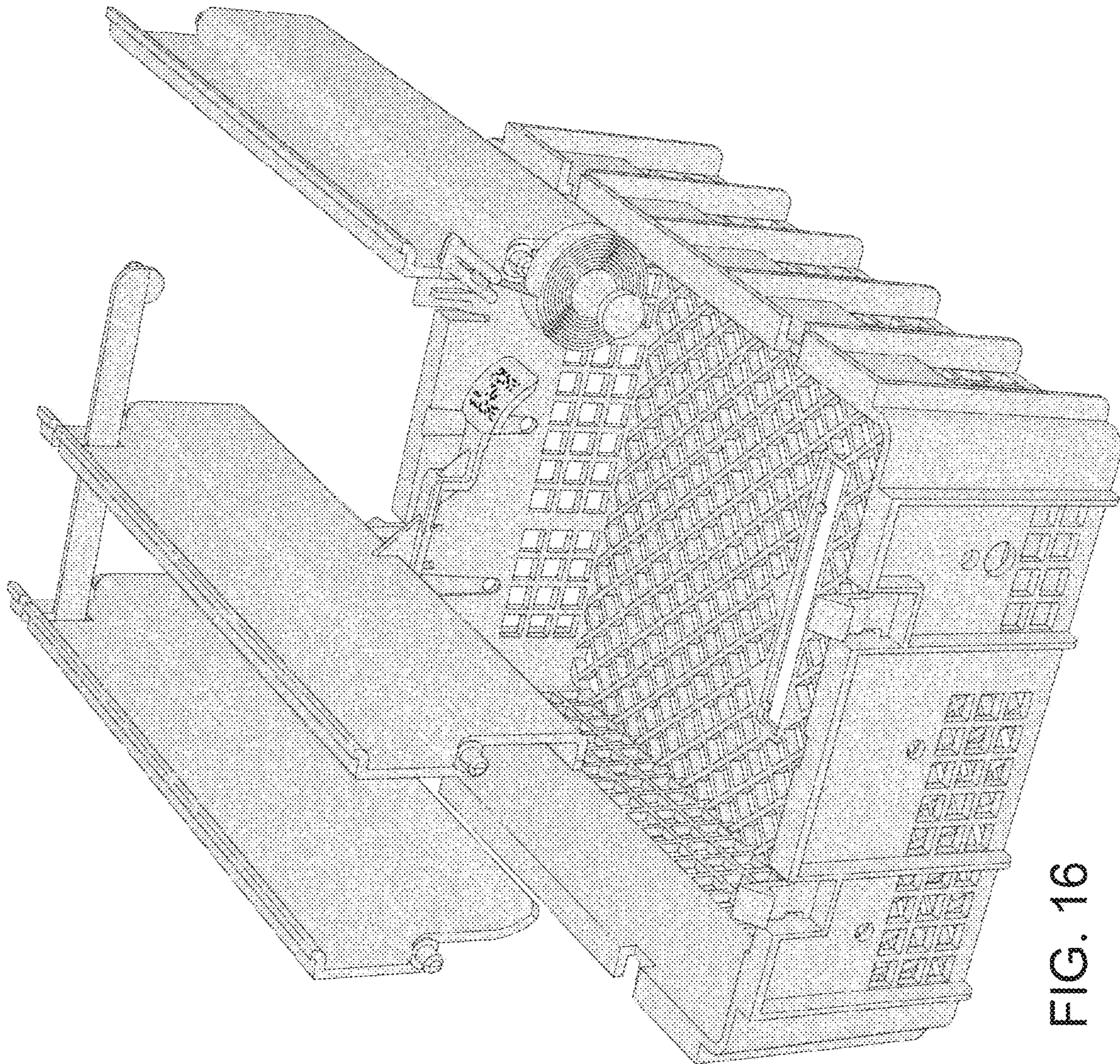


FIG. 16



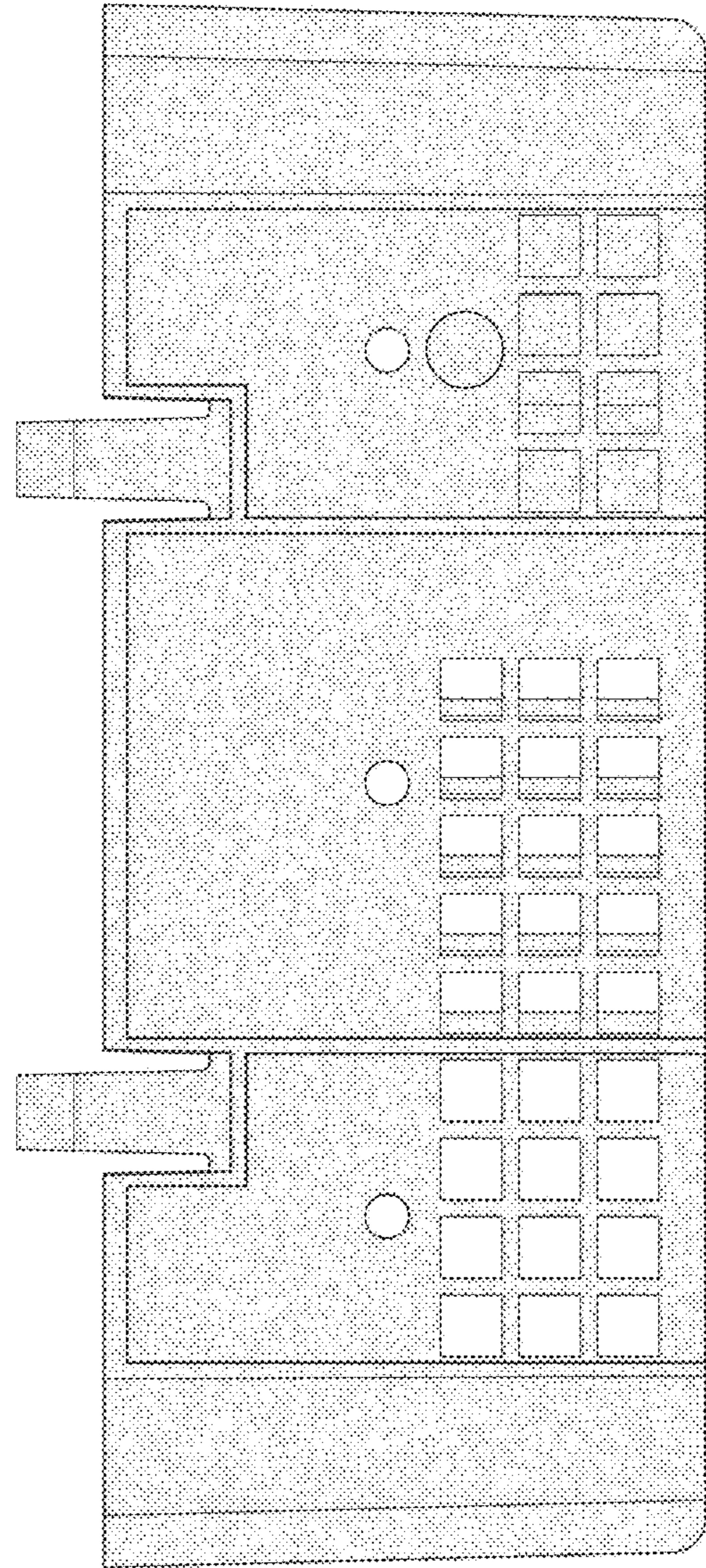
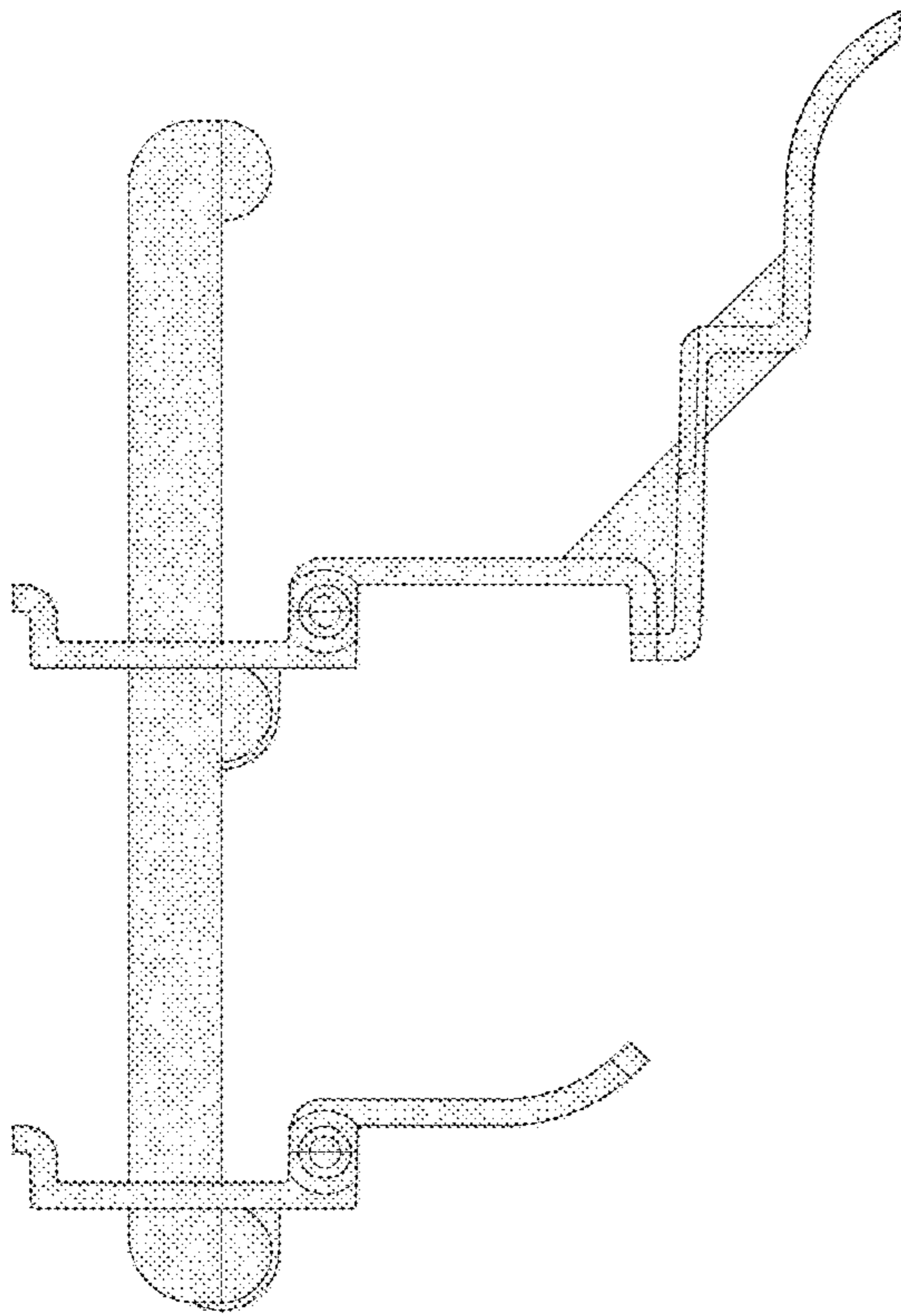
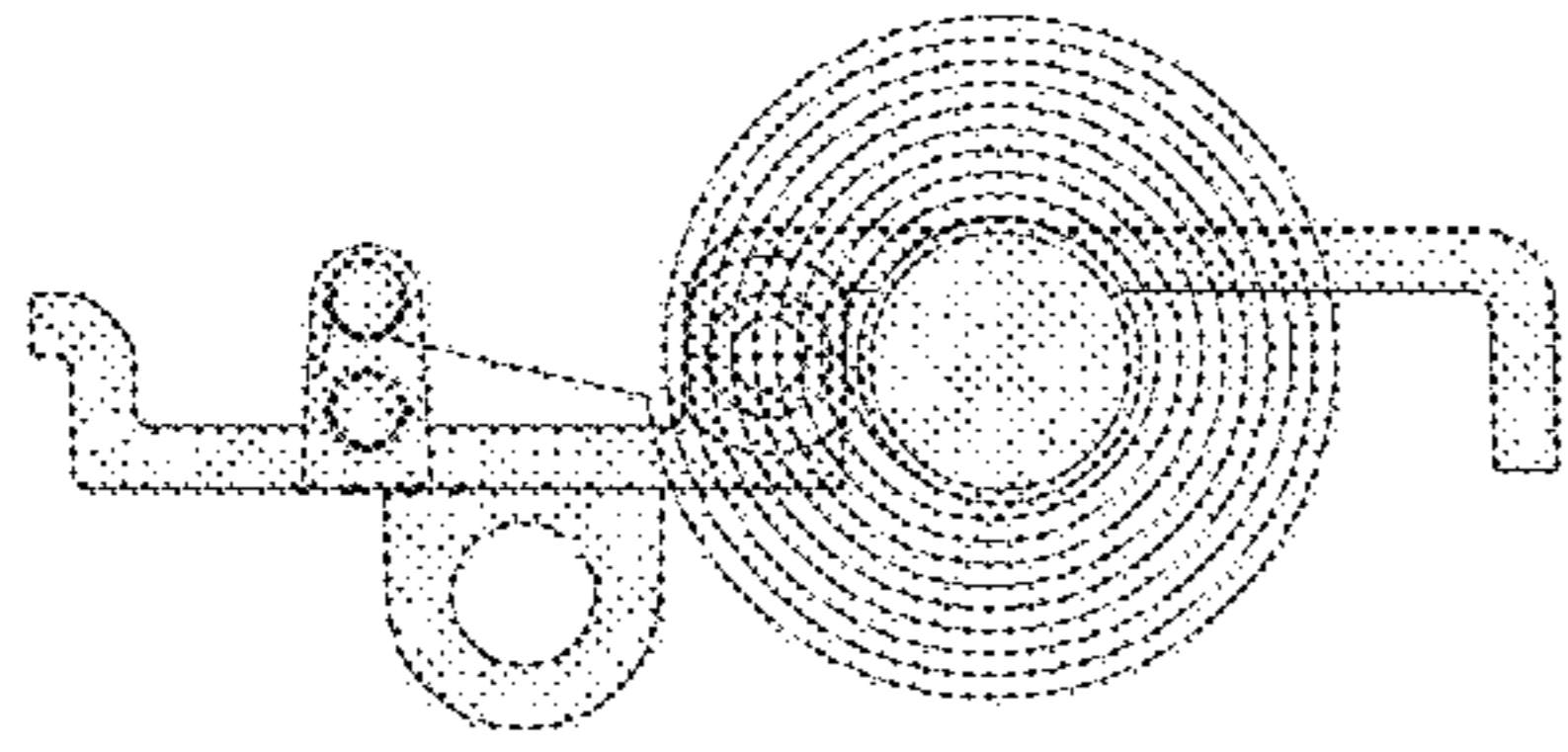


FIG. 17