



US00D907191S

(12) **United States Design Patent** (10) **Patent No.:** **US D907,191 S**
Reap (45) **Date of Patent:** **** Jan. 5, 2021**

(54) **ROOF CURB**

(71) Applicant: **Robert Reap**, Richmond, VT (US)

(72) Inventor: **Robert Reap**, Richmond, VT (US)

(**) Term: **15 Years**

(21) Appl. No.: **29/633,163**

(22) Filed: **Jan. 12, 2018**

(51) **LOC (13) Cl.** **23-03**

(52) **U.S. Cl.**

USPC **D23/393**

(58) **Field of Classification Search**

USPC D23/386, 387, 320, 499; D25/152, 138,
D25/153

CPC B29C 66/5221

See application file for complete search history.

(56) **References Cited**

U.S. PATENT DOCUMENTS

D301,170 S *	5/1989	Quinn	D25/138
D389,922 S *	1/1998	Lee	D25/48.8
D527,813 S *	9/2006	Dodge	D23/393
D566,297 S *	4/2008	Lynch	D25/138
D666,285 S *	8/2012	Schrad	D23/387
D777,900 S *	1/2017	Esposito	D23/393
2005/0130581 A1 *	6/2005	Dodge	F24F 7/02 454/366

* cited by examiner

Primary Examiner — Karen S Acker

Assistant Examiner — Steven B Reinholdt, Jr.

(74) *Attorney, Agent, or Firm* — John W. O'Donnell, Esq.

(57) **CLAIM**

The ornamental design for a roof curb, as shown and described.

DESCRIPTION

FIG. 1 is a bottom view of a roof curb showing my new design;

FIG. 2 is a top view thereof;

FIG. 3 is a right side view thereof;

FIG. 4 is a left side view thereof;

FIG. 5 is a front elevational view thereof;

FIG. 6 is a rear elevational view thereof;

FIG. 7 is a perspective view thereof, taken from the top, front, and right side;

FIG. 8 is a perspective view thereof, taken from the bottom, front and left side;

FIG. 9 is a perspective thereof, taken from the top, rear, and right side;

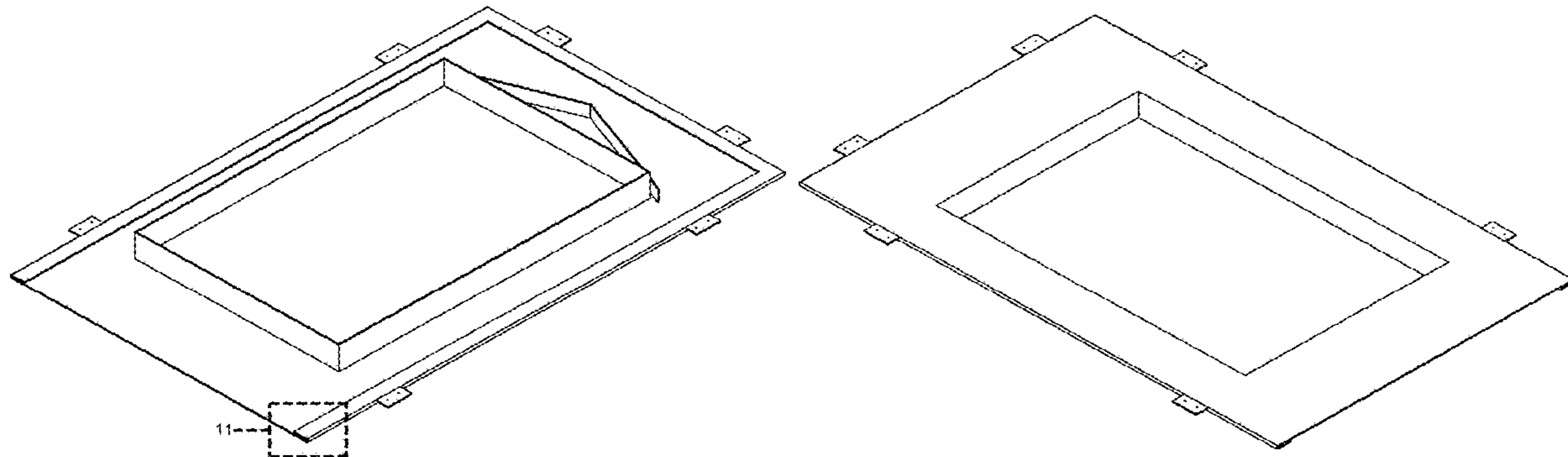
FIG. 10 is a cross sectional view taken in the direction of line 10-10 of FIG. 2;

FIG. 11 is a detailed enlarged bottom and right perspective view of area 11 circumscribed with FIG. 7; and,

FIG. 12 is a detailed enlarged bottom view of area 12 circumscribed with FIG. 1.

The broken line in FIG. 2 depicts the direction of the cross-section of FIG. 10 and forms no part of the claimed design. All other broken lines denote the boundaries of enlargement areas and form no part of the claimed design.

1 Claim, 12 Drawing Sheets



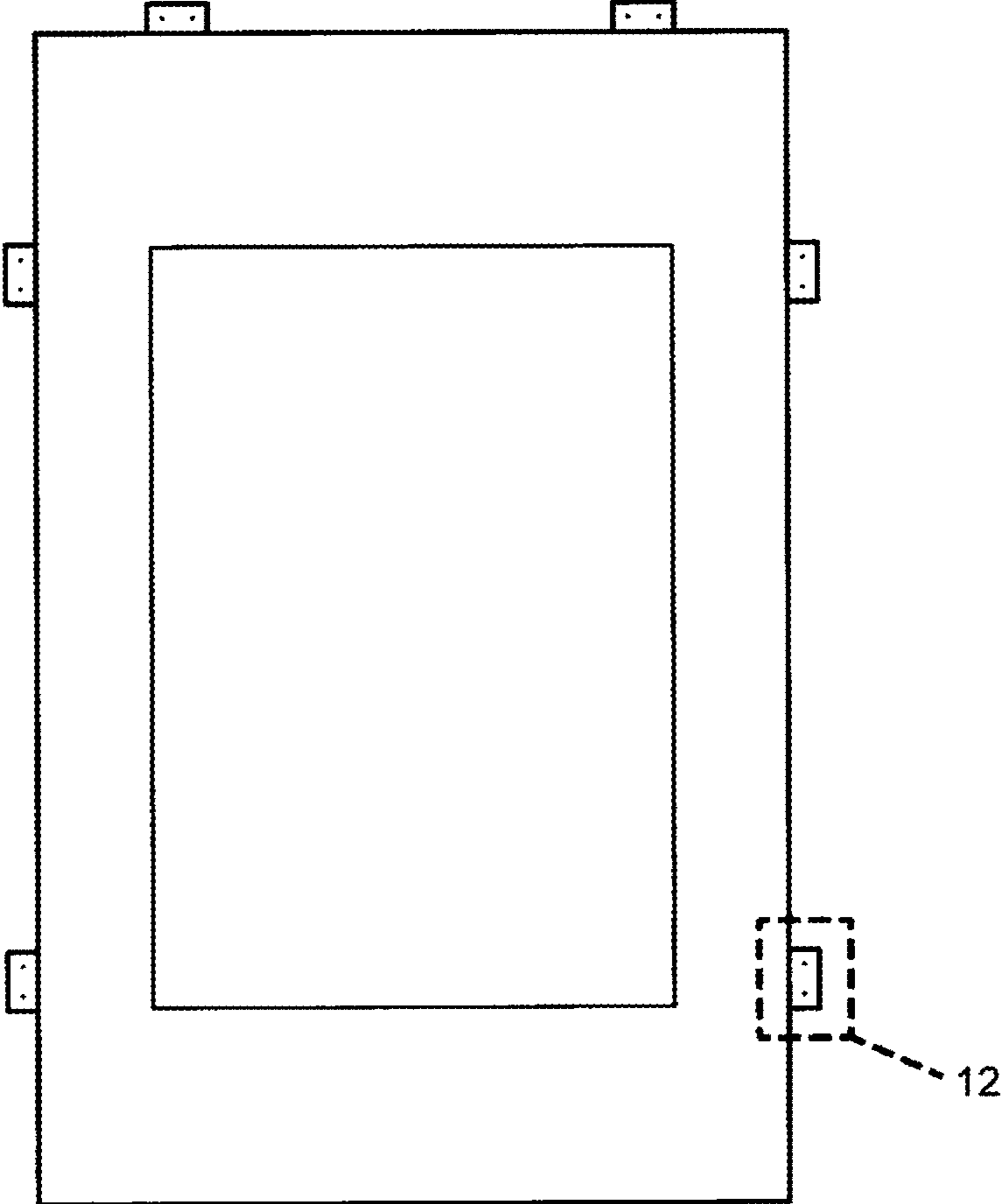


FIG. 1

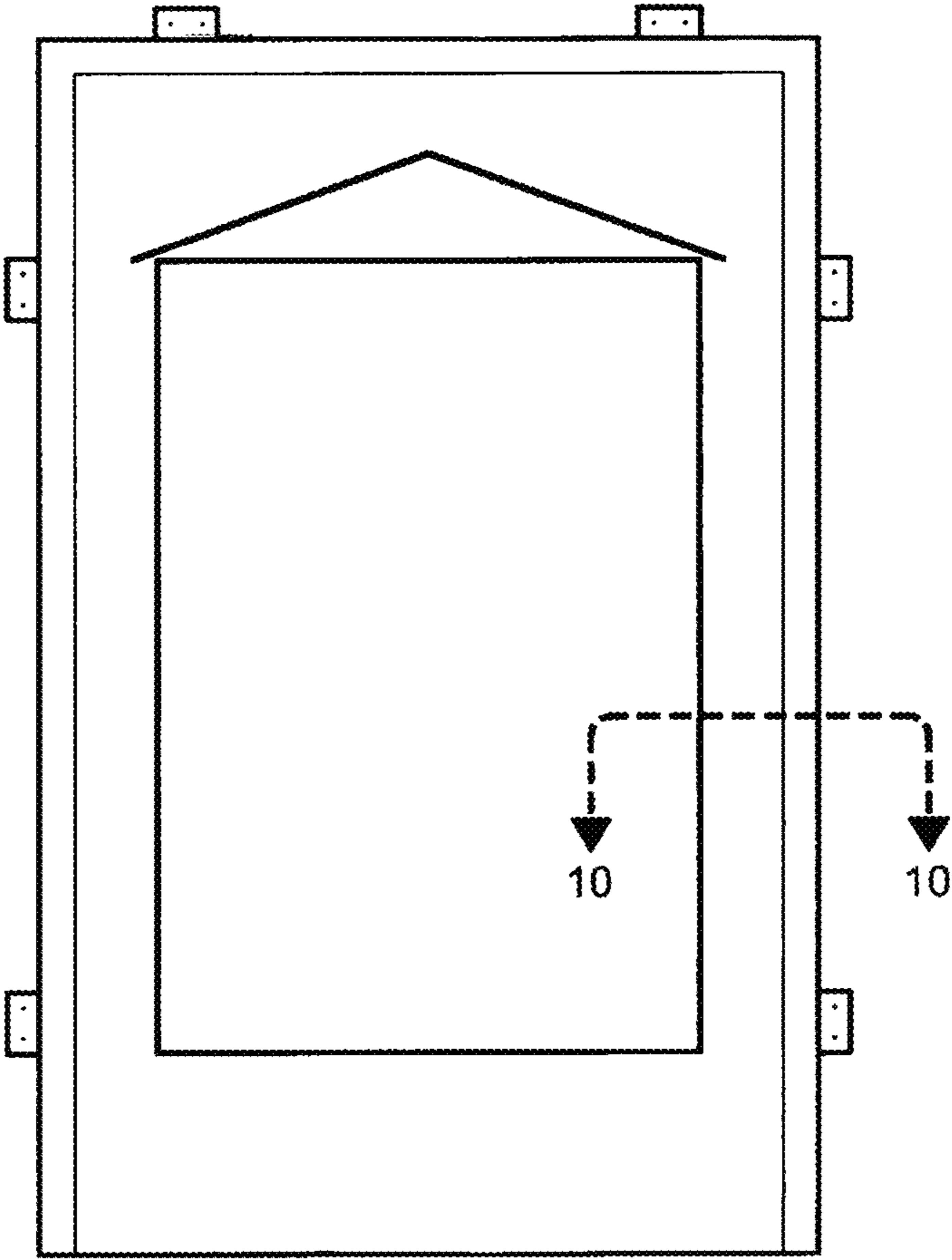


FIG. 2



FIG. 3



FIG. 4



FIG. 5

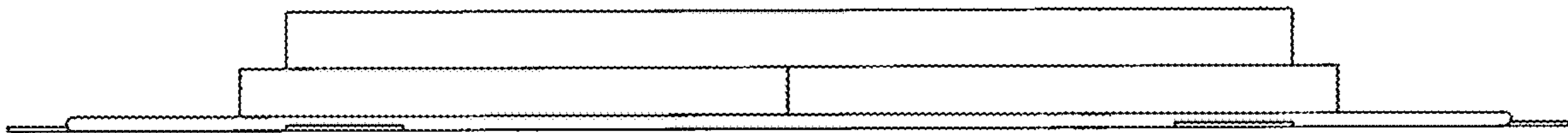


FIG. 6

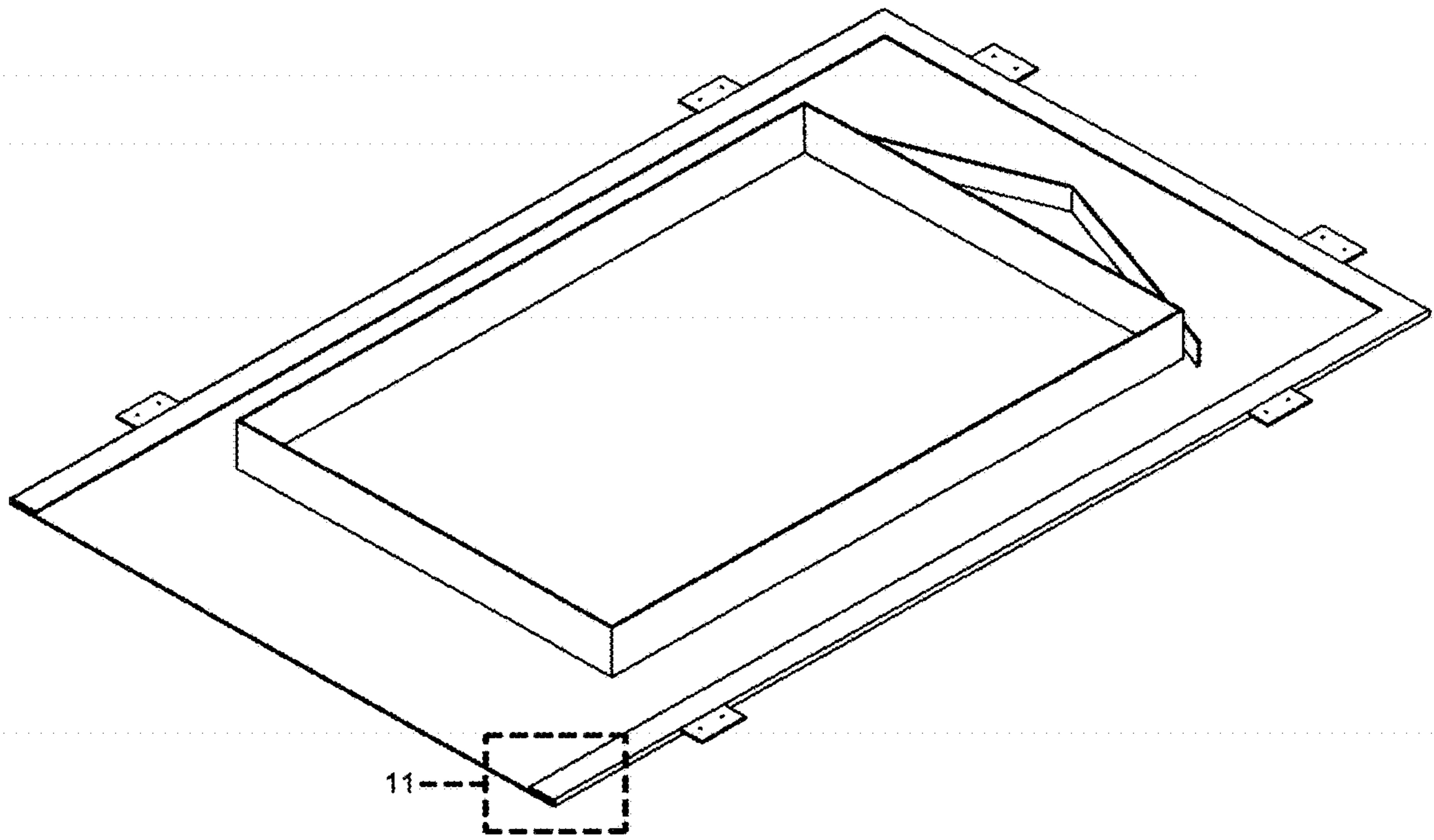


FIG. 7

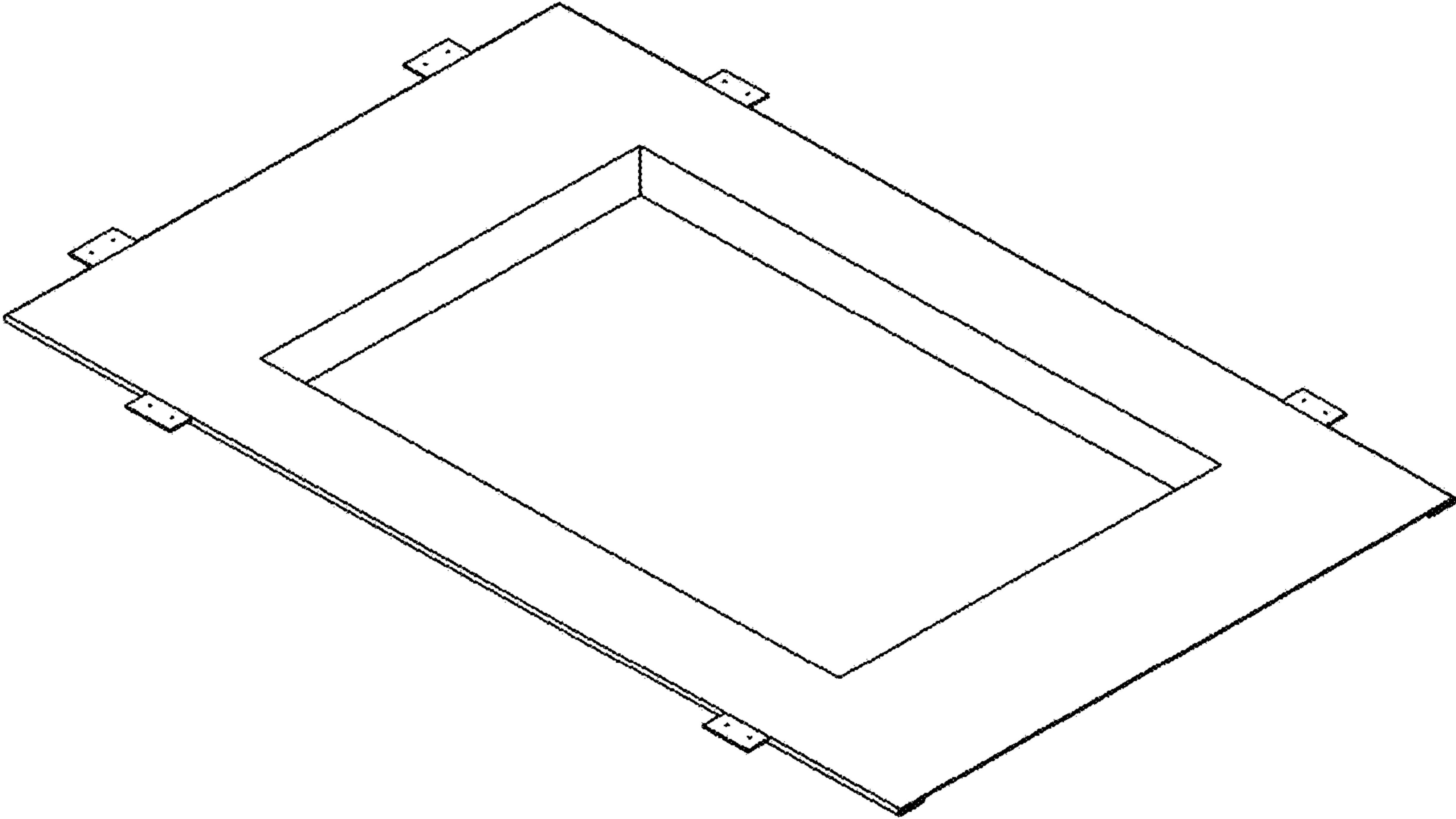


FIG. 8

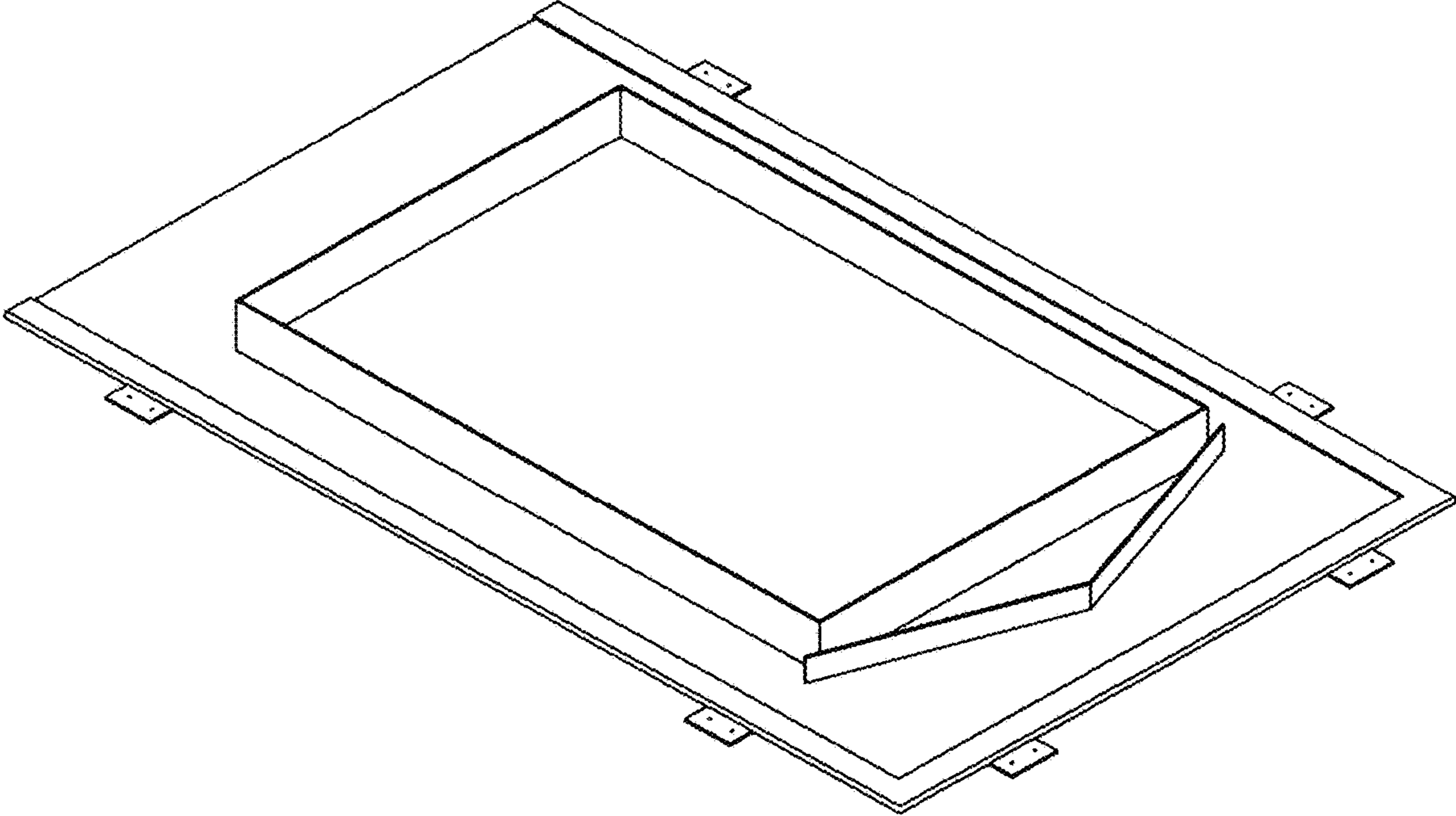


FIG. 9

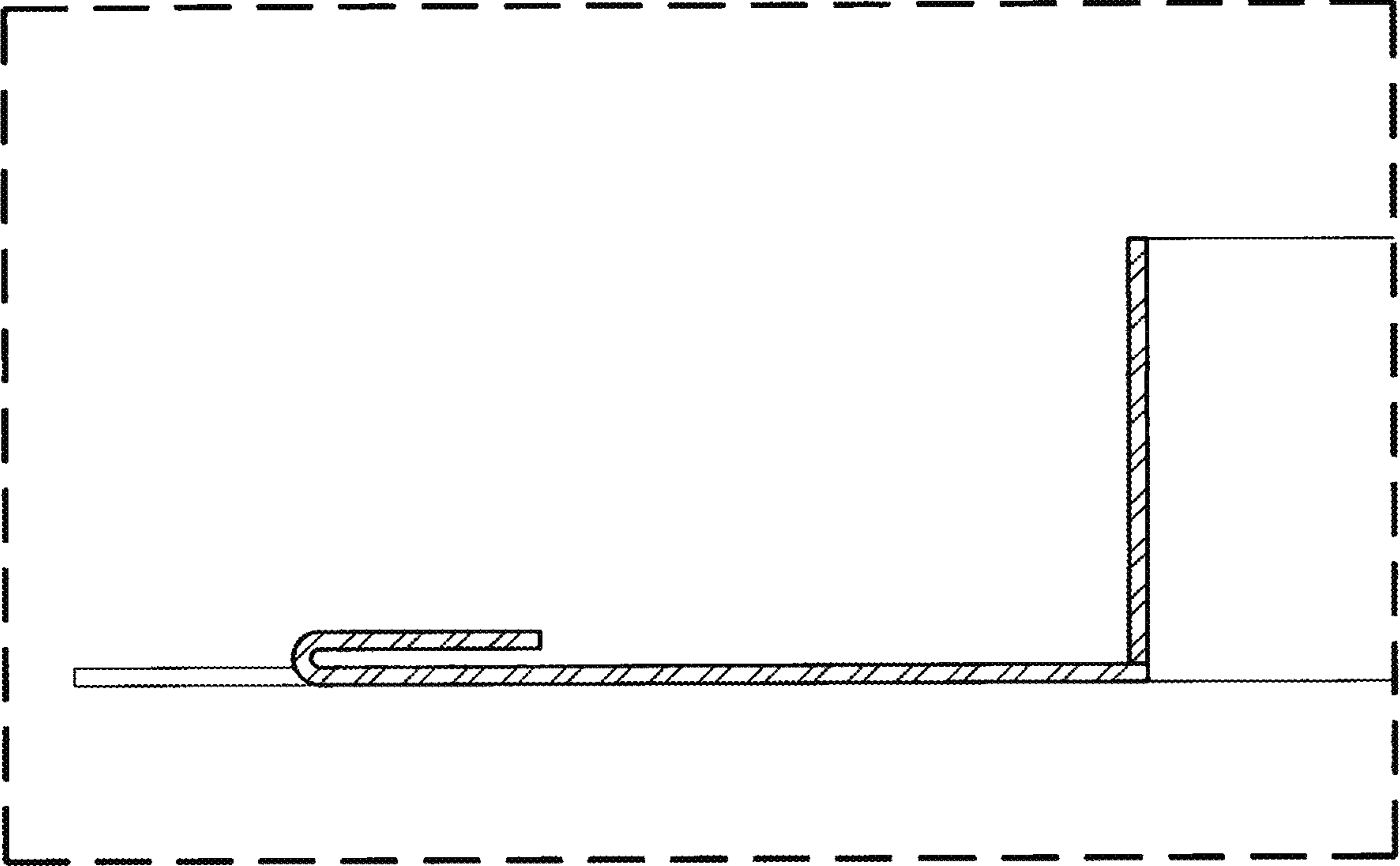


FIG. 10

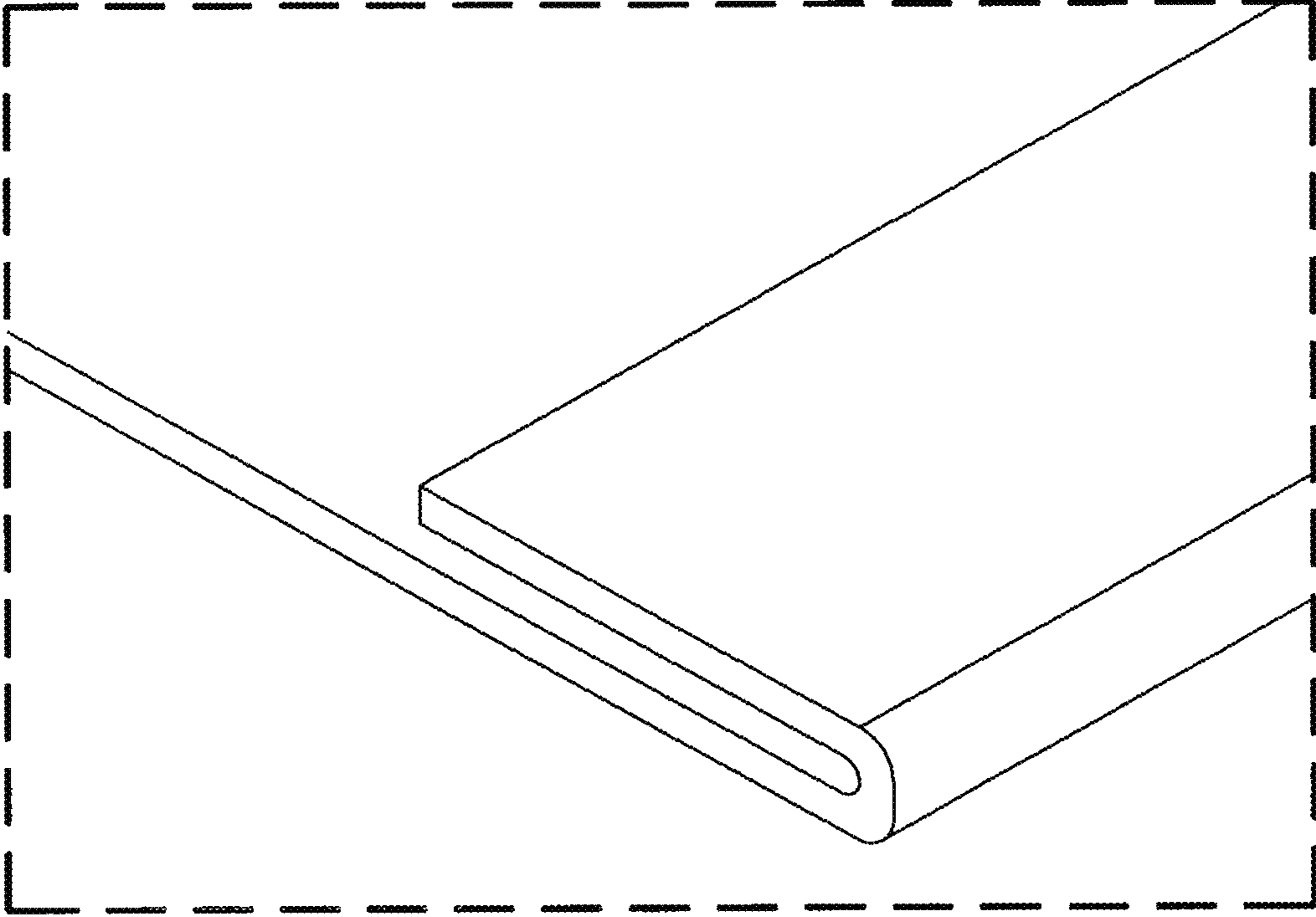


FIG. 11

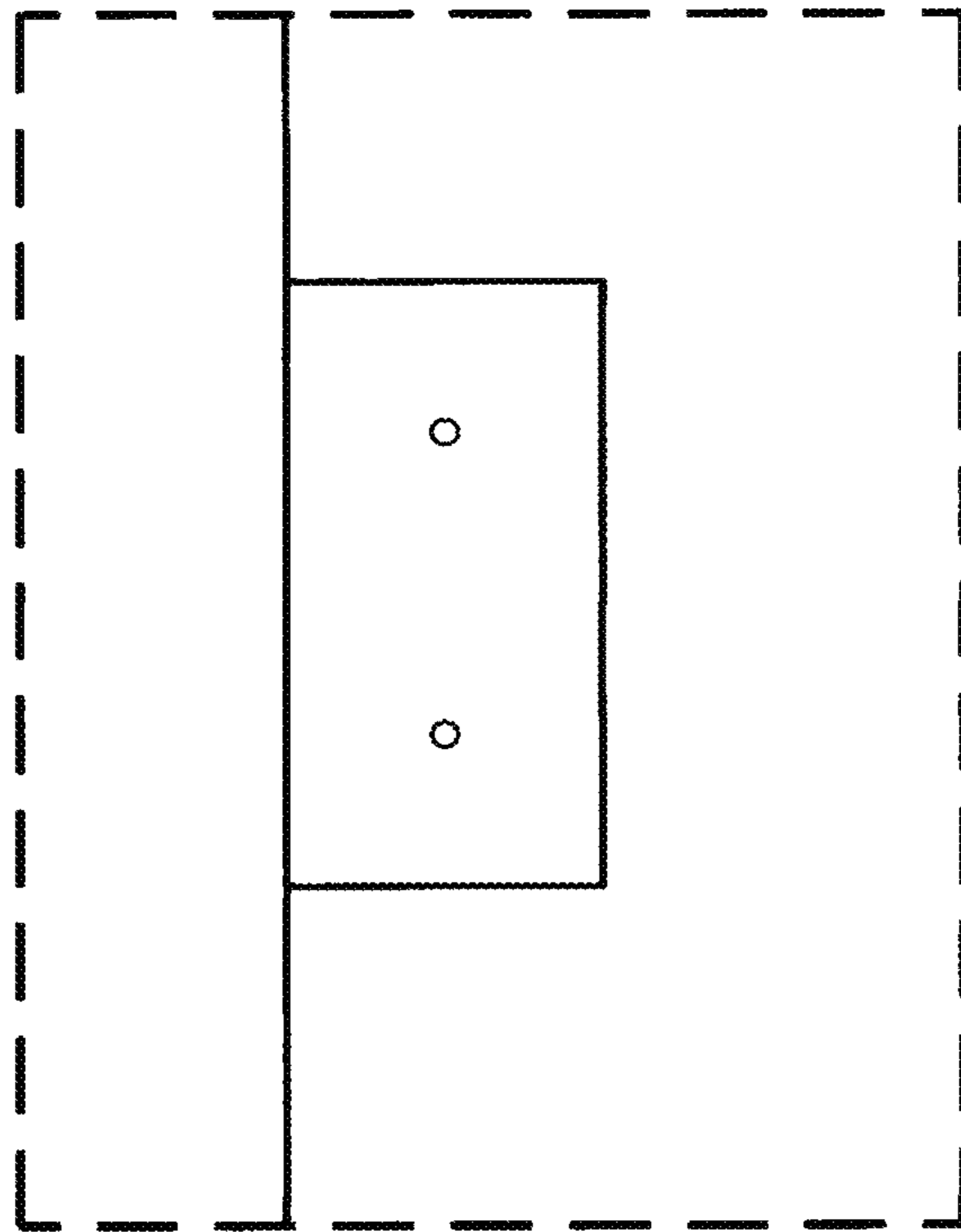


FIG. 12