



US00D907188S

(12) **United States Design Patent**
Zhang

(10) **Patent No.:** **US D907,188 S**

(45) **Date of Patent:** **** Jan. 5, 2021**

(54) **AIR CONDITIONING APPARATUS**

(71) Applicant: **Jianzhen Zhang**, Guangdong (CN)

(72) Inventor: **Jianzhen Zhang**, Guangdong (CN)

(**) Term: **15 Years**

(21) Appl. No.: **29/737,500**

(22) Filed: **Jun. 9, 2020**

(51) **LOC (13) Cl.** **23-04**

(52) **U.S. Cl.**
USPC **D23/382; D23/333**

(58) **Field of Classification Search**
USPC D26/59; D23/370–385, 411–414, 355,
D23/351, 352, 349, 333, 332, 336, 337
CPC F04D 25/088; F04D 29/38; F21V 21/03;
B63H 1/16; F25D 5/00
See application file for complete search history.

(56) **References Cited**

U.S. PATENT DOCUMENTS

D309,182 S *	7/1990	Hsu	416/63
5,953,933 A *	9/1999	Cheng	F24F 5/0017
			62/425
D675,310 S *	1/2013	Zhu	D23/370
D675,312 S *	1/2013	Zhu	D23/411
D727,488 S *	4/2015	Hsu	D23/382
D764,045 S *	8/2016	Griz	D23/382
D765,826 S	9/2016	Harris	
D768,838 S	10/2016	Ritch	
D815,265 S	4/2018	Seifert	

D837,963 S *	1/2019	Xu	D23/382
D855,171 S *	7/2019	Xu	D23/382
D874,623 S *	2/2020	Lupi	D23/333
D881,364 S	4/2020	Li	
D884,860 S *	5/2020	Zhang	D23/351
D890,912 S *	7/2020	Ma	D23/382
2013/0108481 A1 *	5/2013	Hoye	F04D 29/601
			417/234
2018/0355875 A1 *	12/2018	Freeland	F04D 25/084

* cited by examiner

Primary Examiner — Janice Hallmark

(74) *Attorney, Agent, or Firm* — ScienBiziP, P.C.

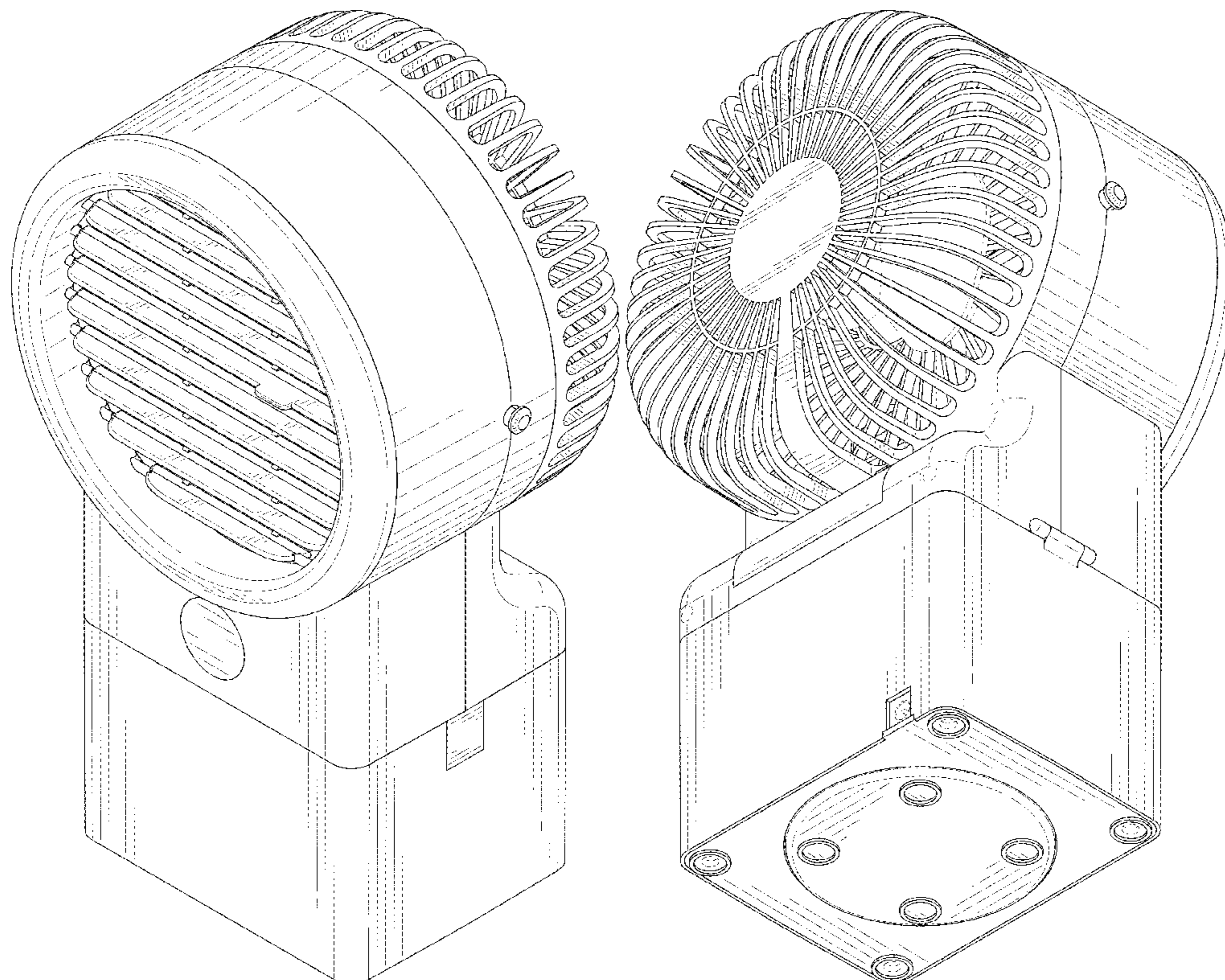
(57) **CLAIM**

The ornamental design for an air conditioning apparatus, as shown and described.

DESCRIPTION

FIG. 1 is a front and right perspective view of an air conditioning apparatus, showing my design.
 FIG. 2 is back and bottom perspective view thereof.
 FIG. 3 is a front elevation view thereof.
 FIG. 4 is a rear elevation view thereof.
 FIG. 5 is a left side elevation view thereof.
 FIG. 6 is a right side elevation view thereof.
 FIG. 7 is a top plan view thereof; and,
 FIG. 8 is a bottom plan view thereof.
 The broken lines depict environmental structure and are for illustrative purposes only, and form no part of the claimed design.

1 Claim, 8 Drawing Sheets



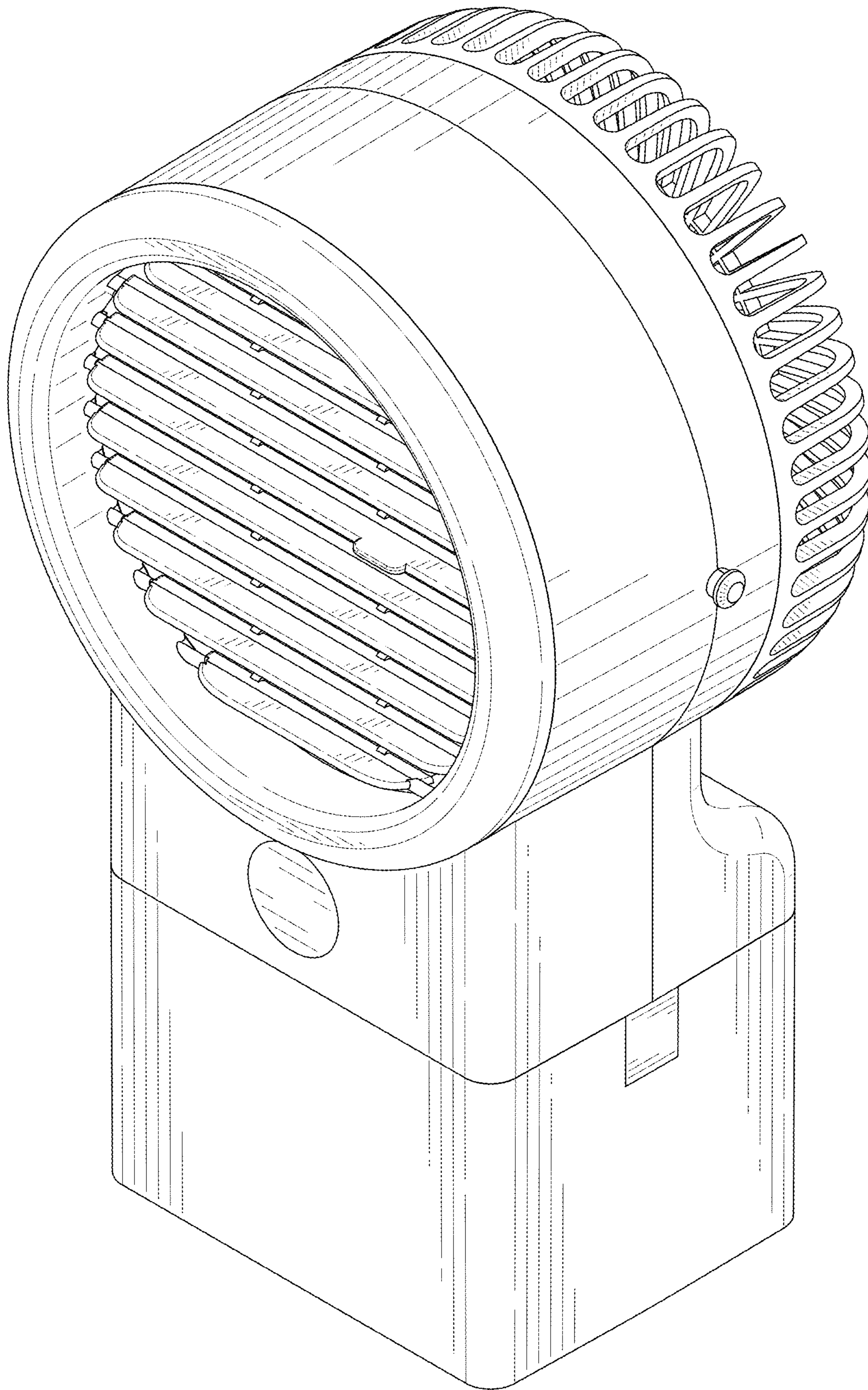


FIG. 1

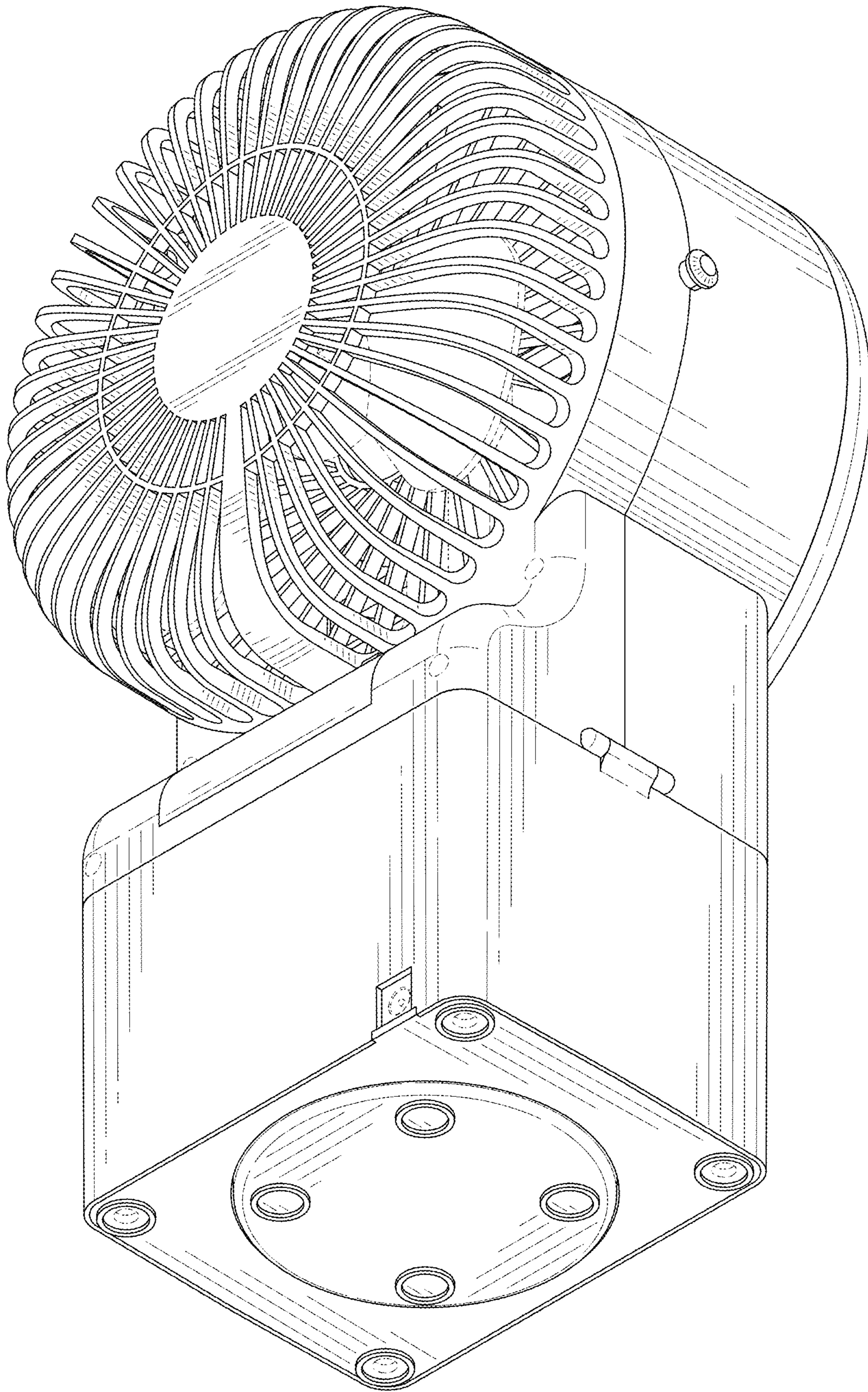


FIG. 2

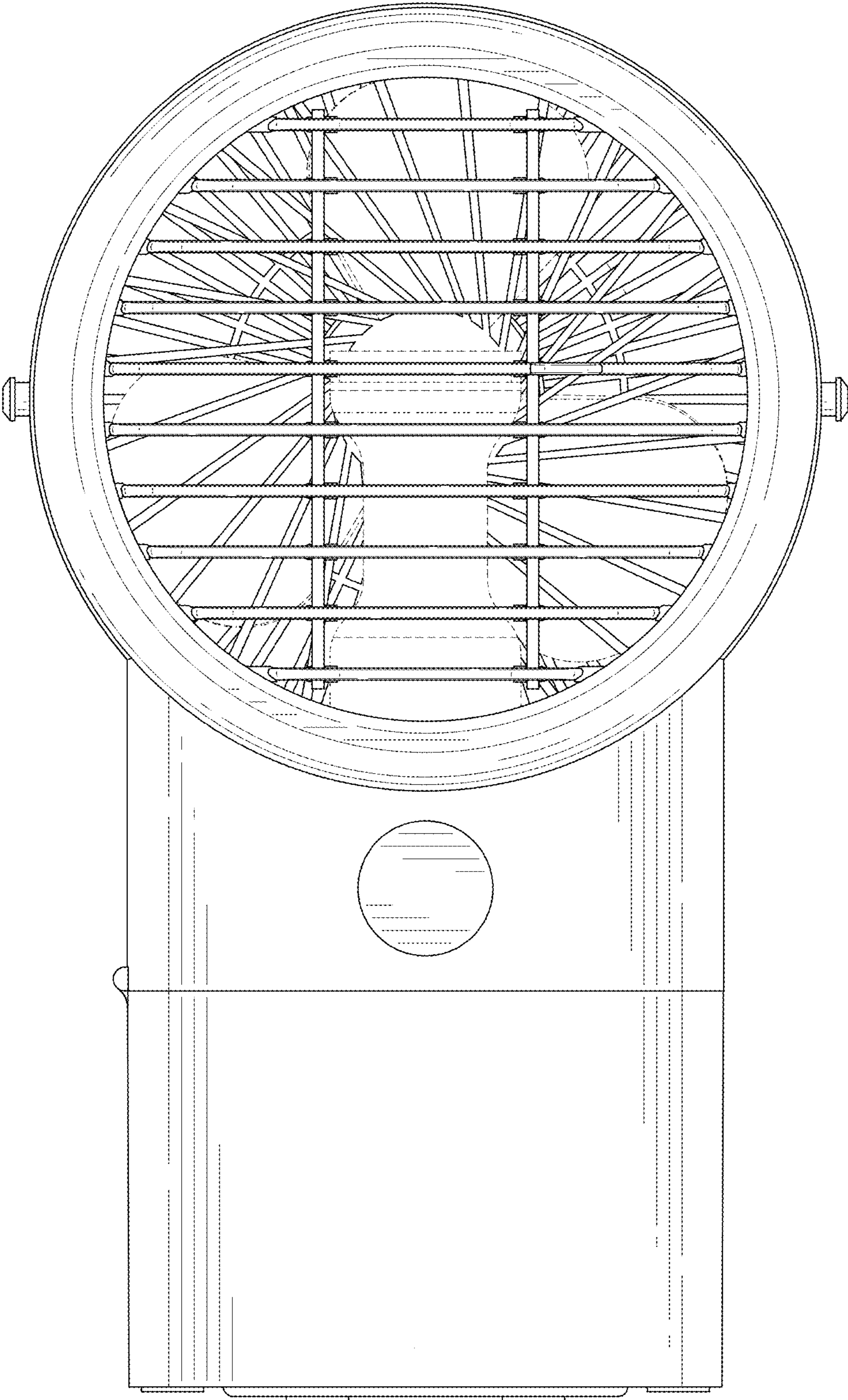


FIG. 3

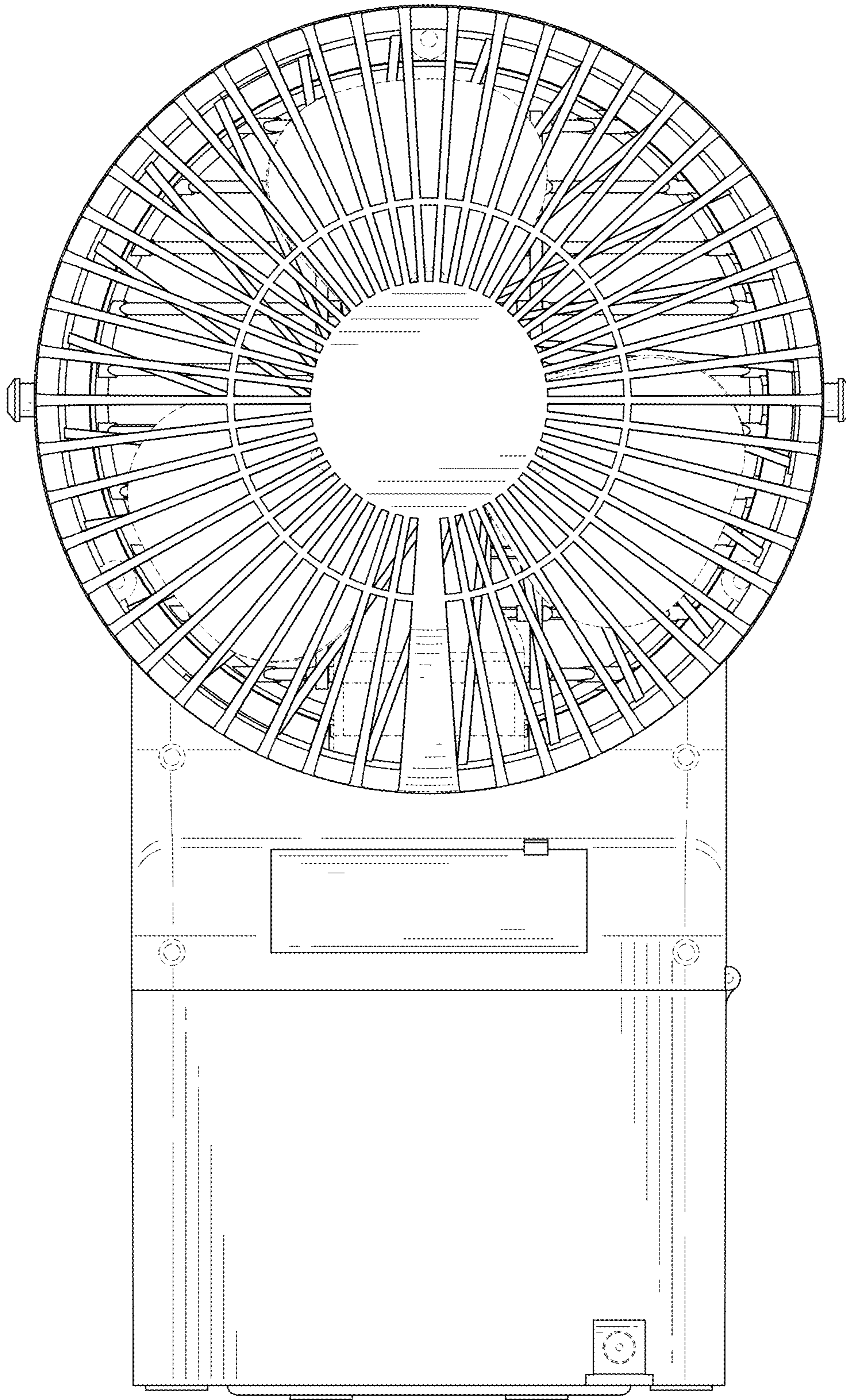


FIG. 4

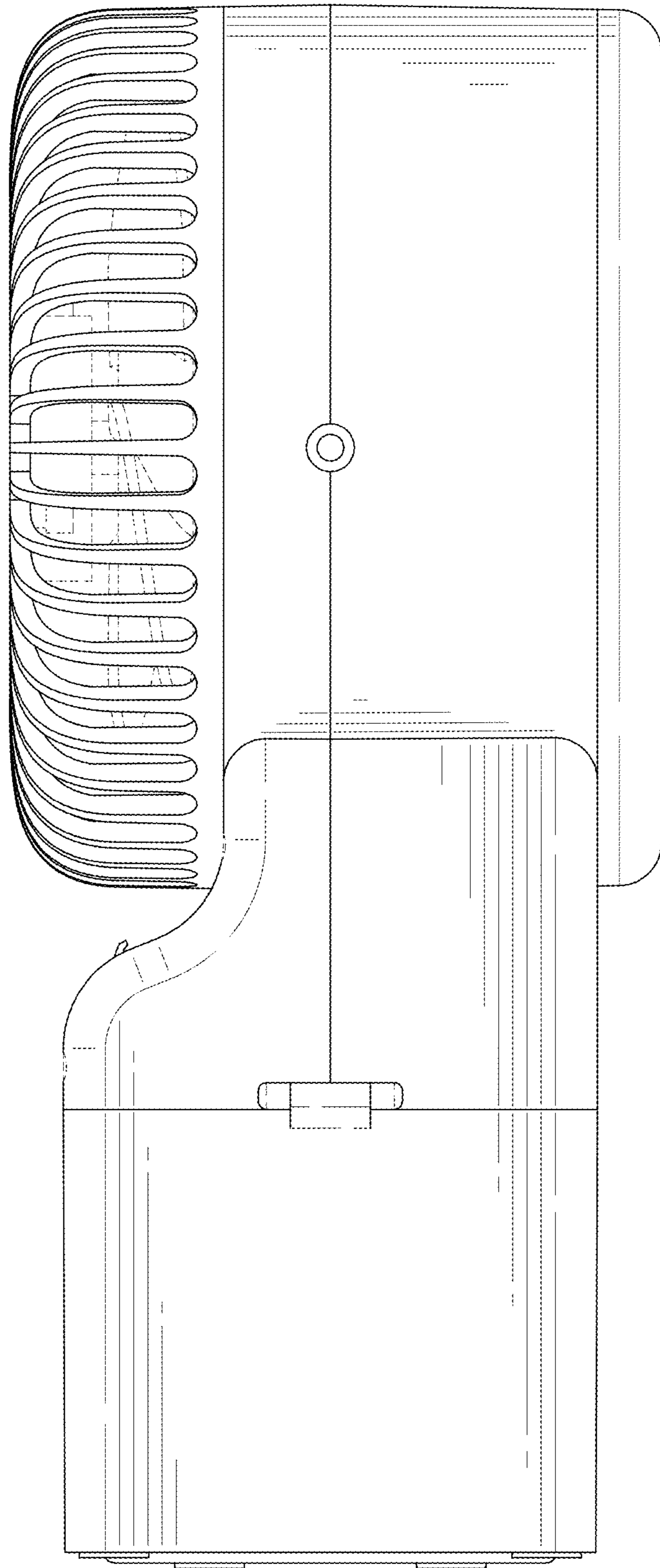


FIG. 5

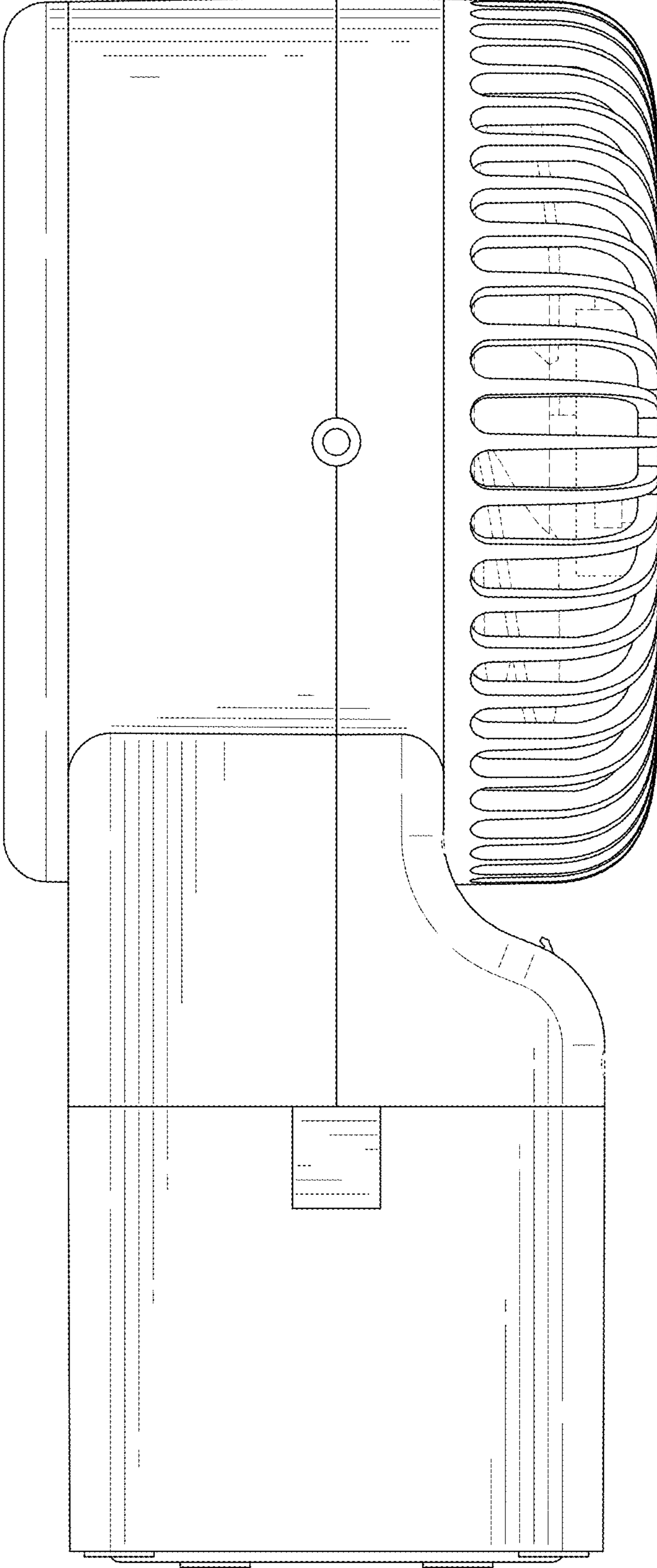


FIG. 6

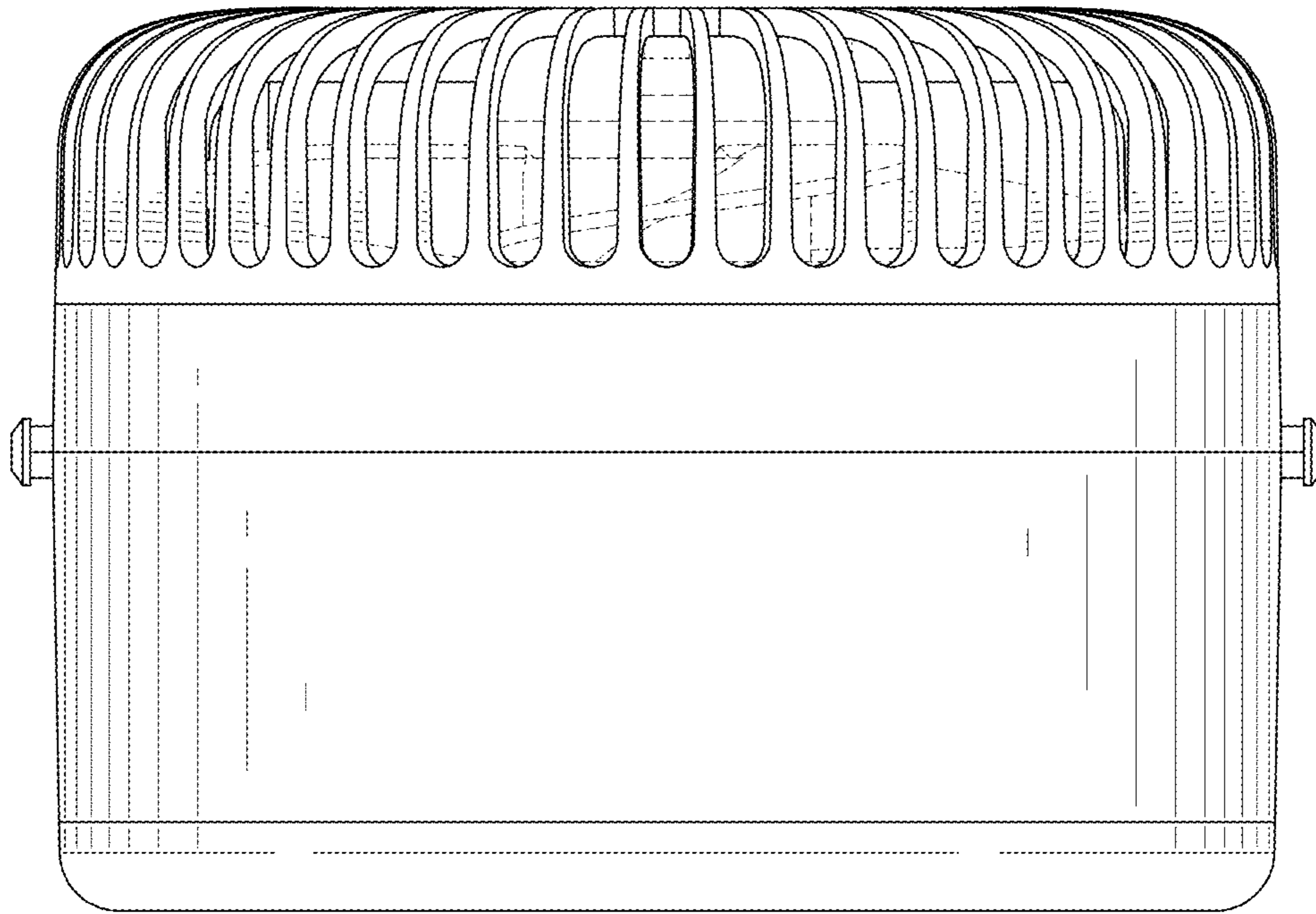


FIG. 7

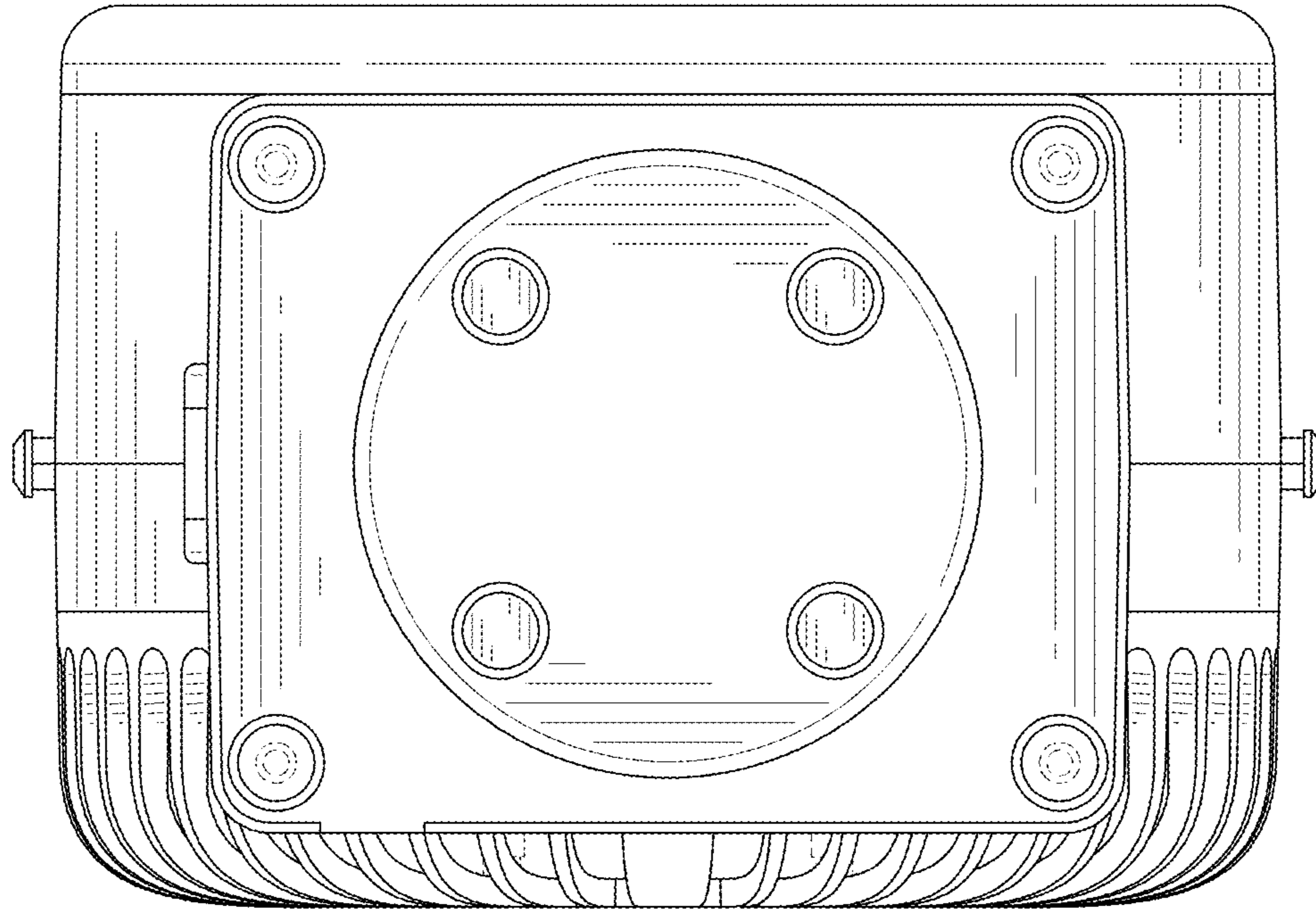


FIG. 8