



US00D907187S

(12) **United States Design Patent**  
**Li**

(10) **Patent No.:** **US D907,187 S**

(45) **Date of Patent:** **\*\* Jan. 5, 2021**

(54) **HANDHELD MOISTURIZING FAN**

(71) Applicant: **Shenzhen Jisu Technology Co., LTD.**,  
Shenzhen (CN)

(72) Inventor: **Xiangfu Li**, Shenzhen (CN)

(\*\*) Term: **15 Years**

(21) Appl. No.: **29/688,234**

(22) Filed: **Apr. 19, 2019**

(30) **Foreign Application Priority Data**

Dec. 26, 2018 (CN) ..... 2018 3 0757302

(51) **LOC (13) Cl.** ..... **23-04**

(52) **U.S. Cl.**  
USPC ..... **D23/382**

(58) **Field of Classification Search**  
USPC ..... D23/332, 333, 335-337, 364, 370, 378,  
D23/379, 381-383  
CPC ..... F04D 25/08; F04D 29/38; F04D 29/384;  
F04D 29/386  
See application file for complete search history.

(56) **References Cited**

**U.S. PATENT DOCUMENTS**

D314,617 S *	2/1991	Yuen	.....	D23/370
D675,310 S *	1/2013	Zhu	.....	D23/370
D764,045 S *	8/2016	Griz	.....	D23/382
D837,963 S *	1/2019	Xu	.....	D23/382
D841,796 S *	2/2019	Freeland	.....	D23/382
10,436,206 B2 *	10/2019	Freeland	.....	F04D 29/644
D879,283 S *	3/2020	Liao	.....	D23/382
D885,554 S *	5/2020	Puglia, Sr.	.....	D23/379

D885,555 S *	5/2020	Wang	.....	D23/382
D893,699 S *	8/2020	Zhu	.....	D23/382
2020/0191152 A1 *	6/2020	Toyoda	.....	F04D 25/084

\* cited by examiner

*Primary Examiner* — Cathron C Brooks

*Assistant Examiner* — Sharon S Oum

(74) *Attorney, Agent, or Firm* — ZANIP

(57) **CLAIM**

The ornamental design for a handheld moisturizing fan, as shown and described.

**DESCRIPTION**

FIG. 1 is a first perspective view of a first embodiment of a handheld moisturizing fan showing my new design;

FIG. 2 is a second perspective view thereof;

FIG. 3 is a front view thereof;

FIG. 4 is a back view thereof;

FIG. 5 is a left side view thereof;

FIG. 6 is a right side view thereof;

FIG. 7 is a top view thereof;

FIG. 8 is a bottom view thereof;

FIG. 9 is a first perspective view of a second embodiment of a handheld moisturizing fan showing my new design;

FIG. 10 is a second perspective view thereof;

FIG. 11 is a front view thereof;

FIG. 12 is a back view thereof;

FIG. 13 is a left side view thereof;

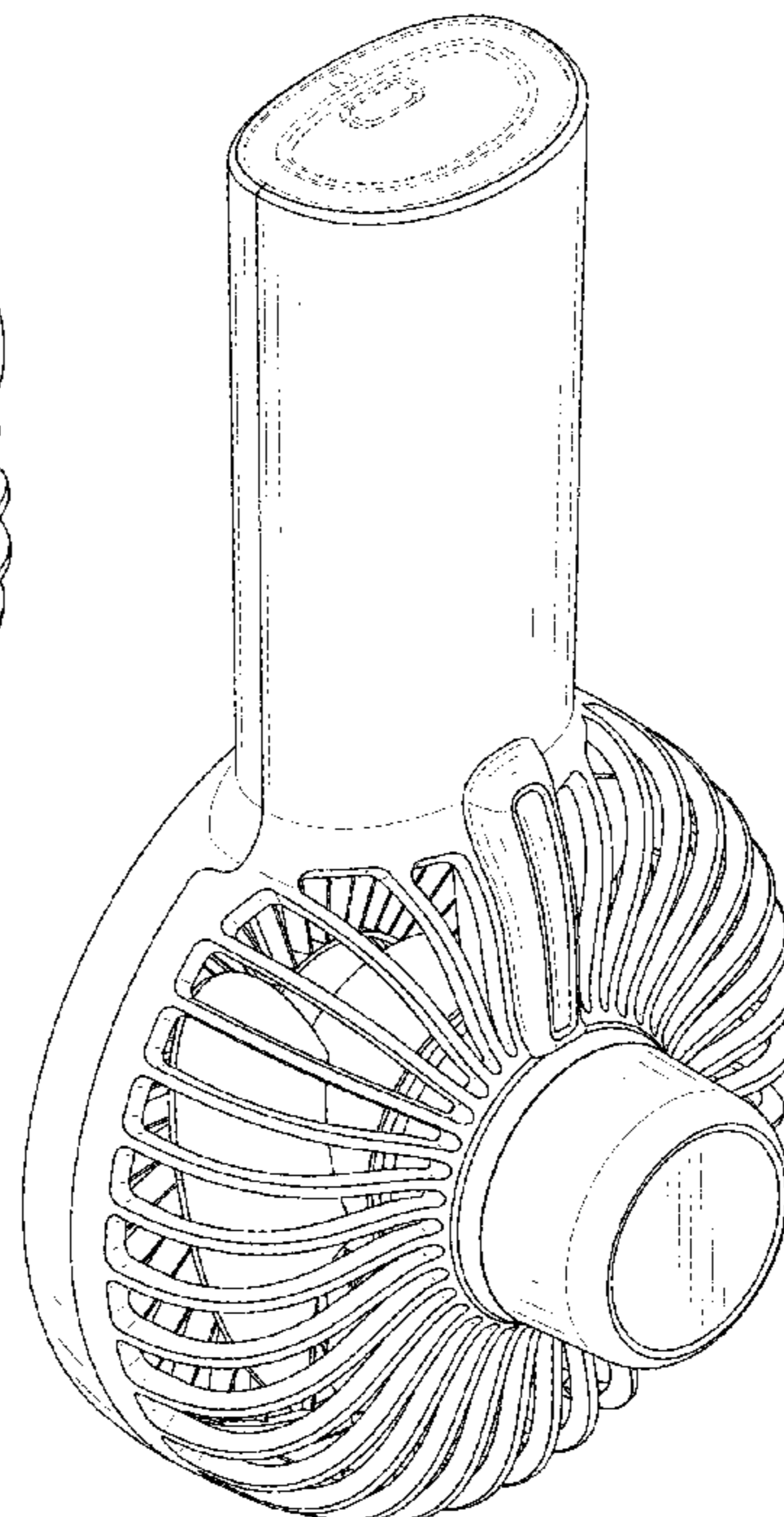
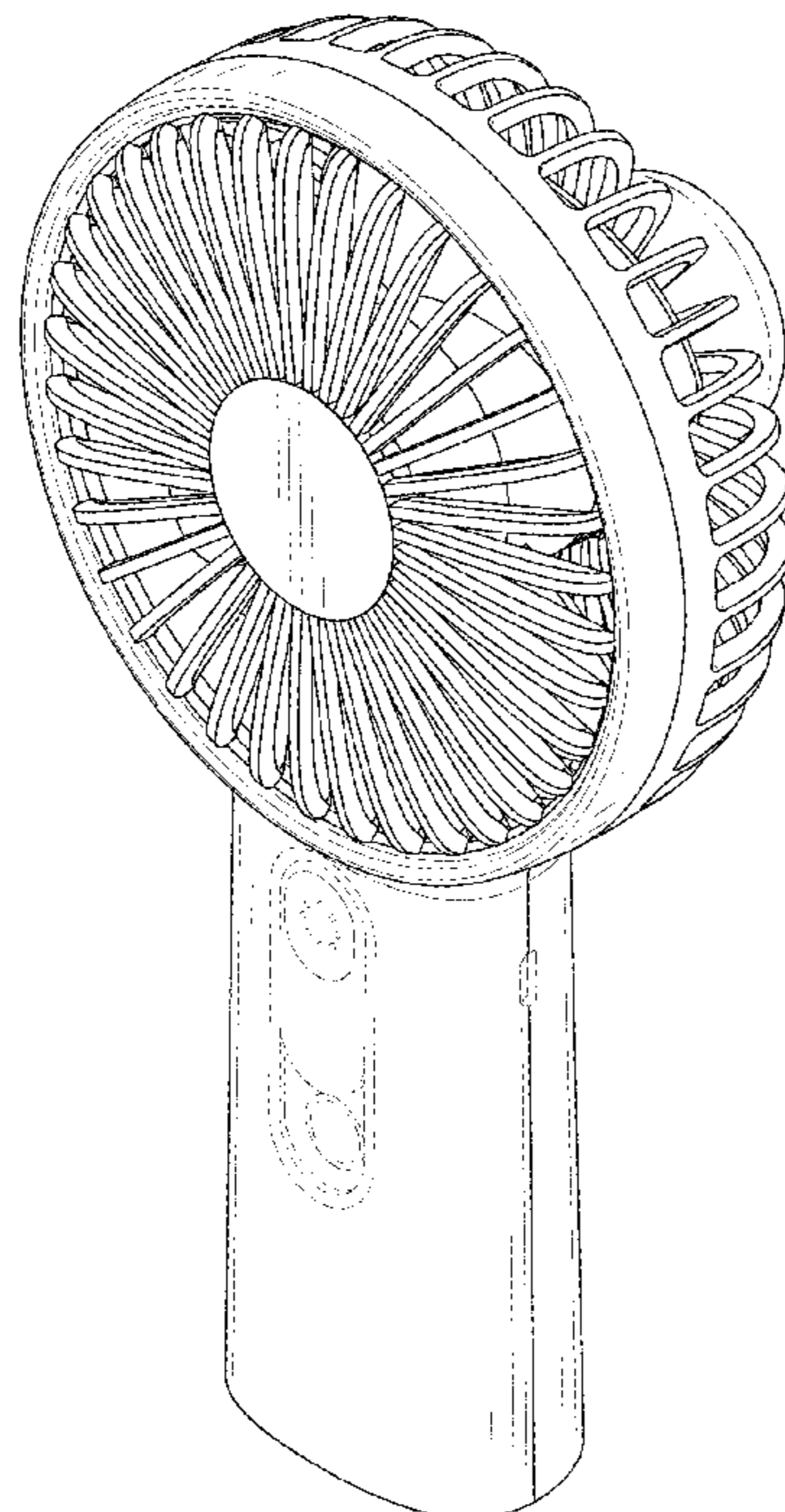
FIG. 14 is a right side view thereof;

FIG. 15 is a top view thereof; and,

FIG. 16 is a bottom view thereof.

The broken lines shown in the drawings depict portions of the handheld moisturizing fan in which the design is embodied that form no part of the claimed design.

**1 Claim, 16 Drawing Sheets**



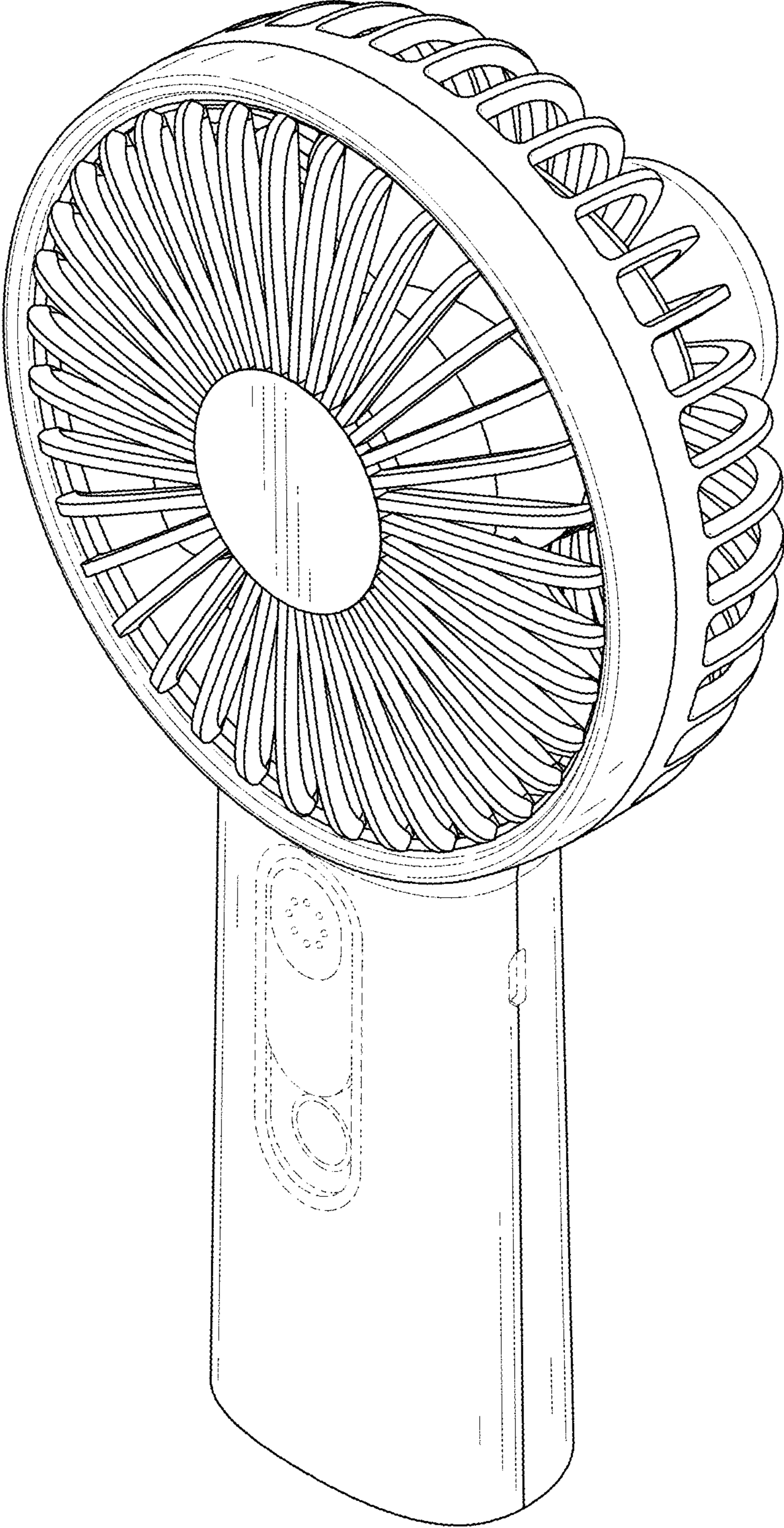


FIG. 1

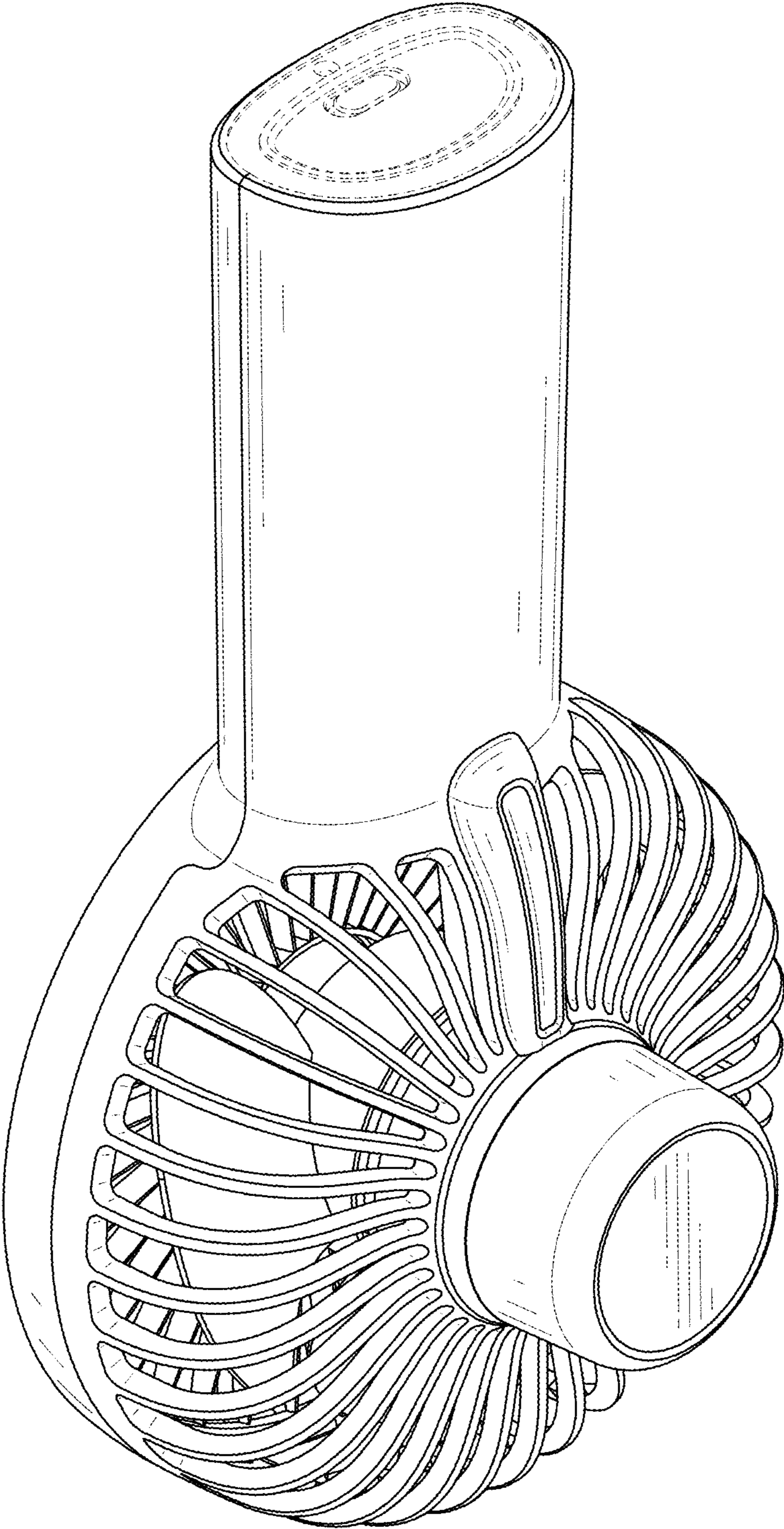


FIG. 2

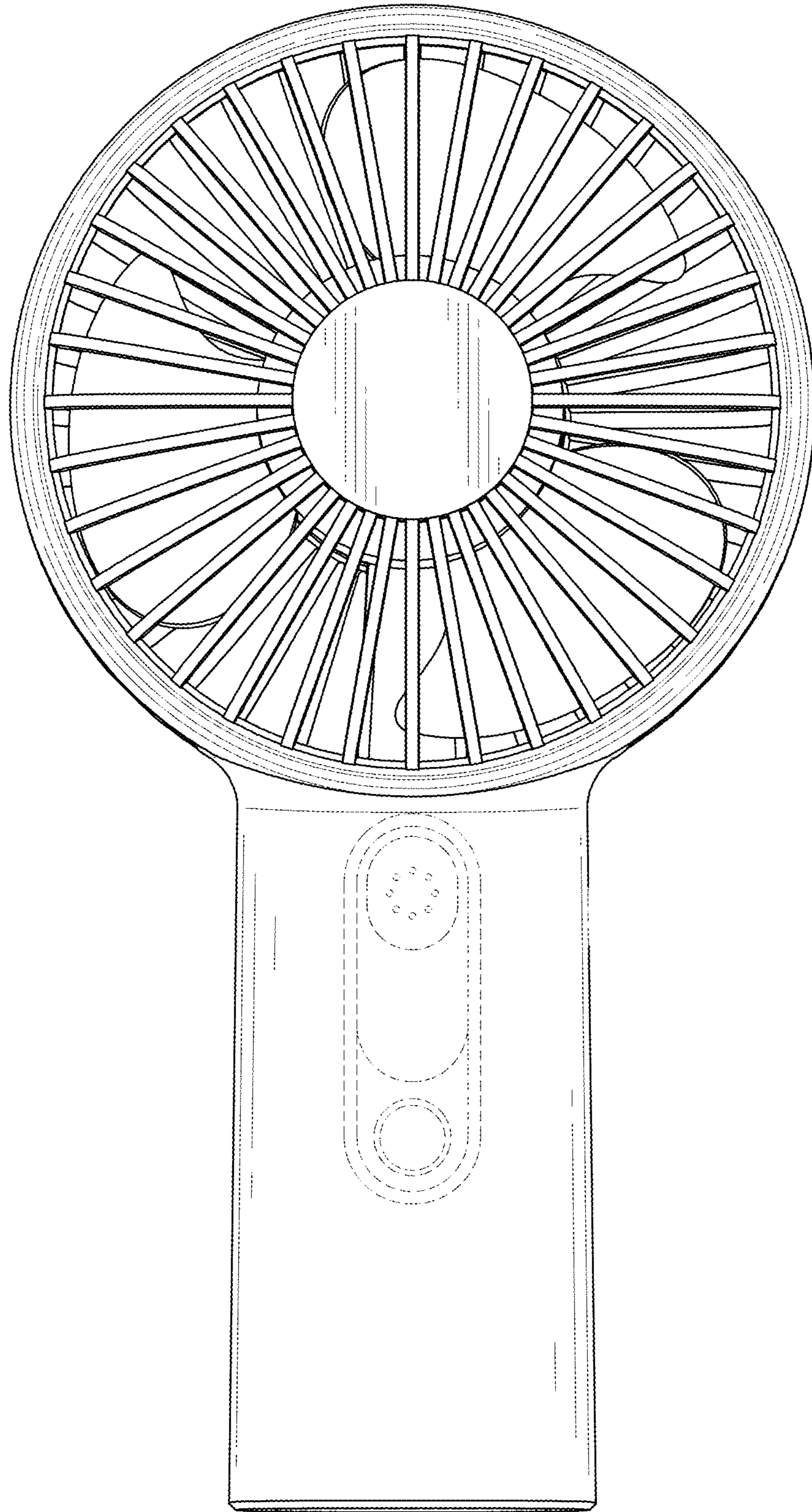


FIG. 3

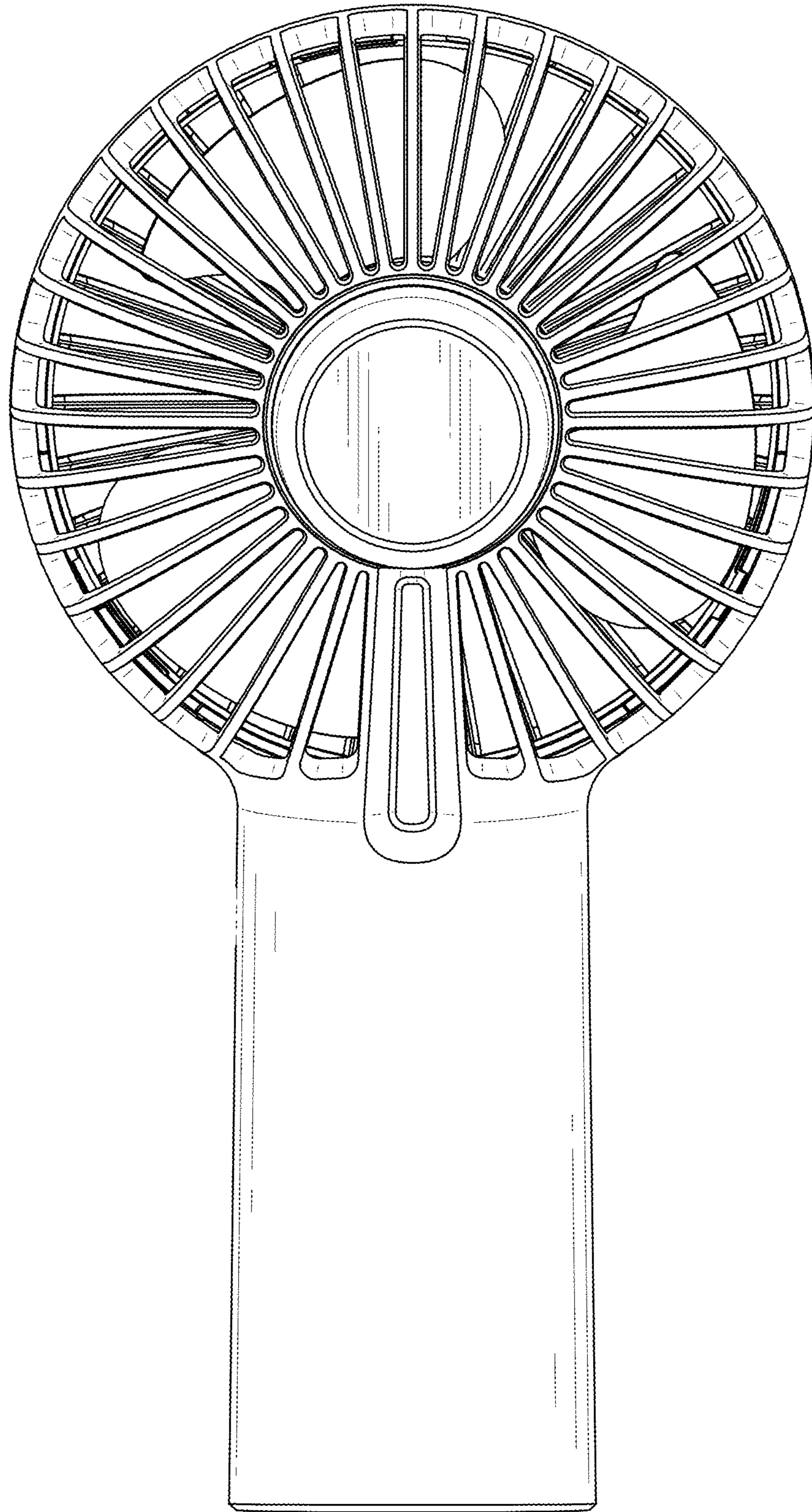


FIG. 4

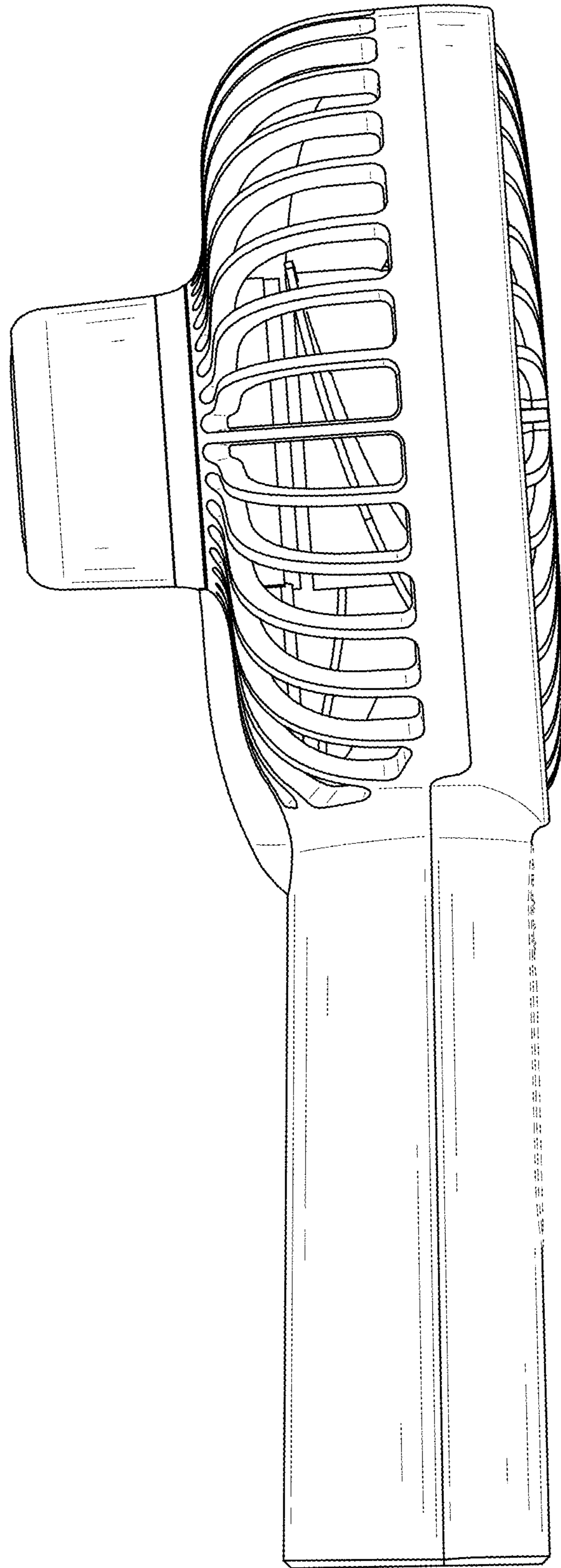


FIG. 5

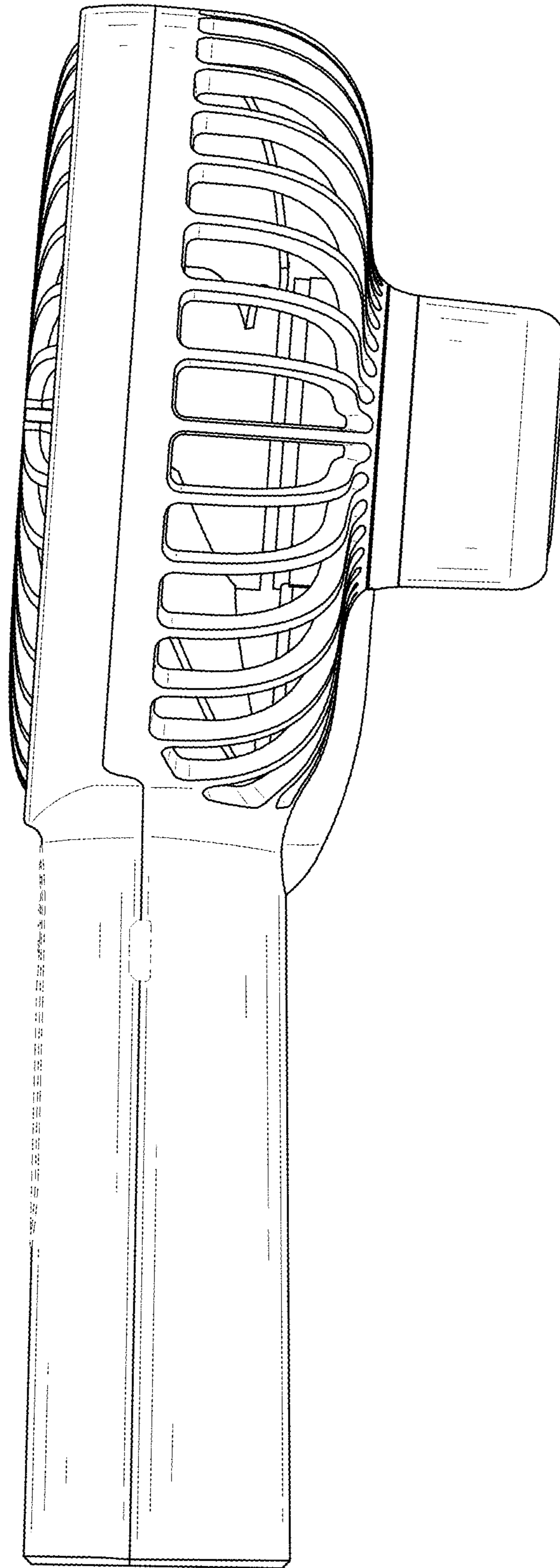


FIG. 6

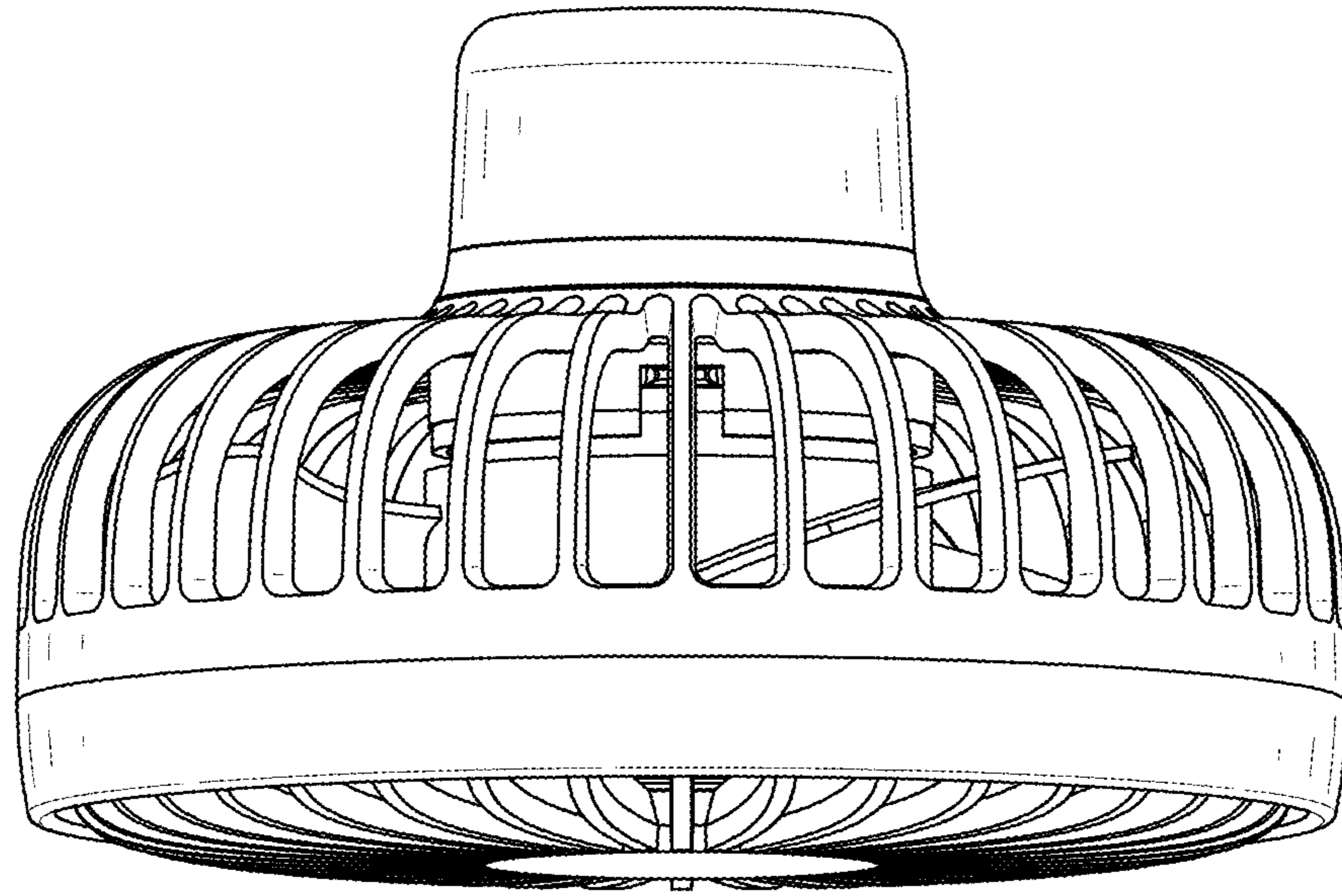


FIG. 7



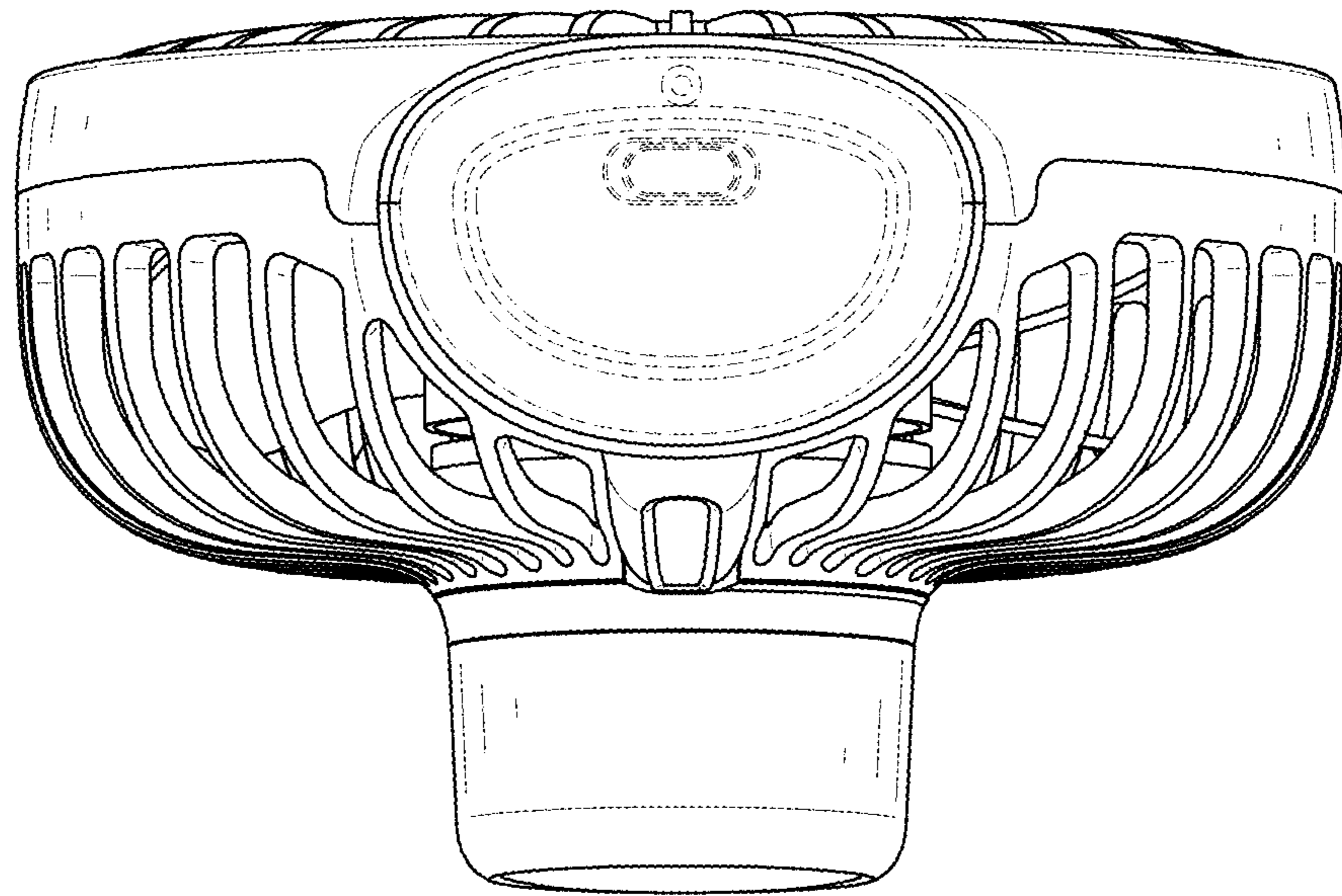


FIG. 8

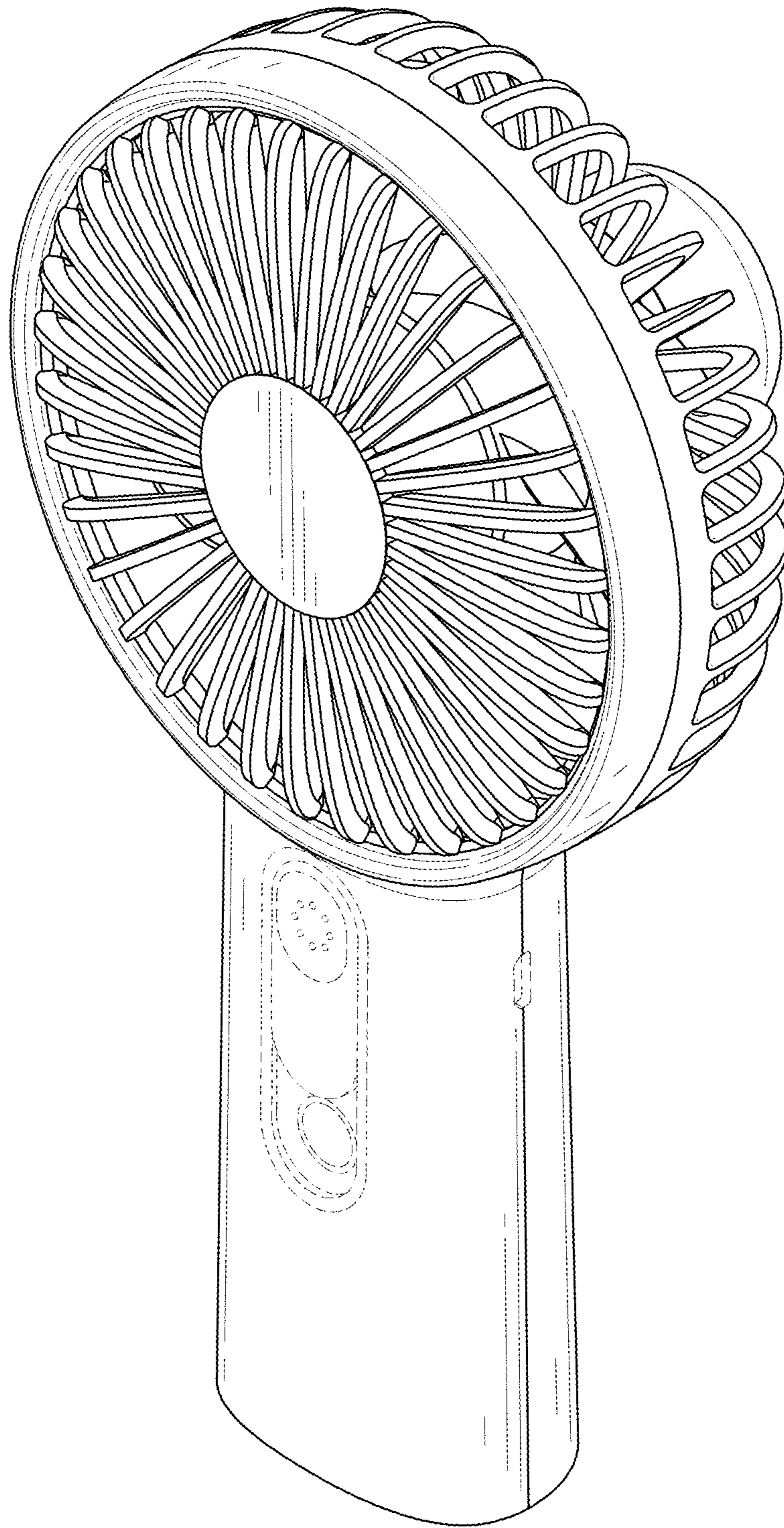


FIG. 9

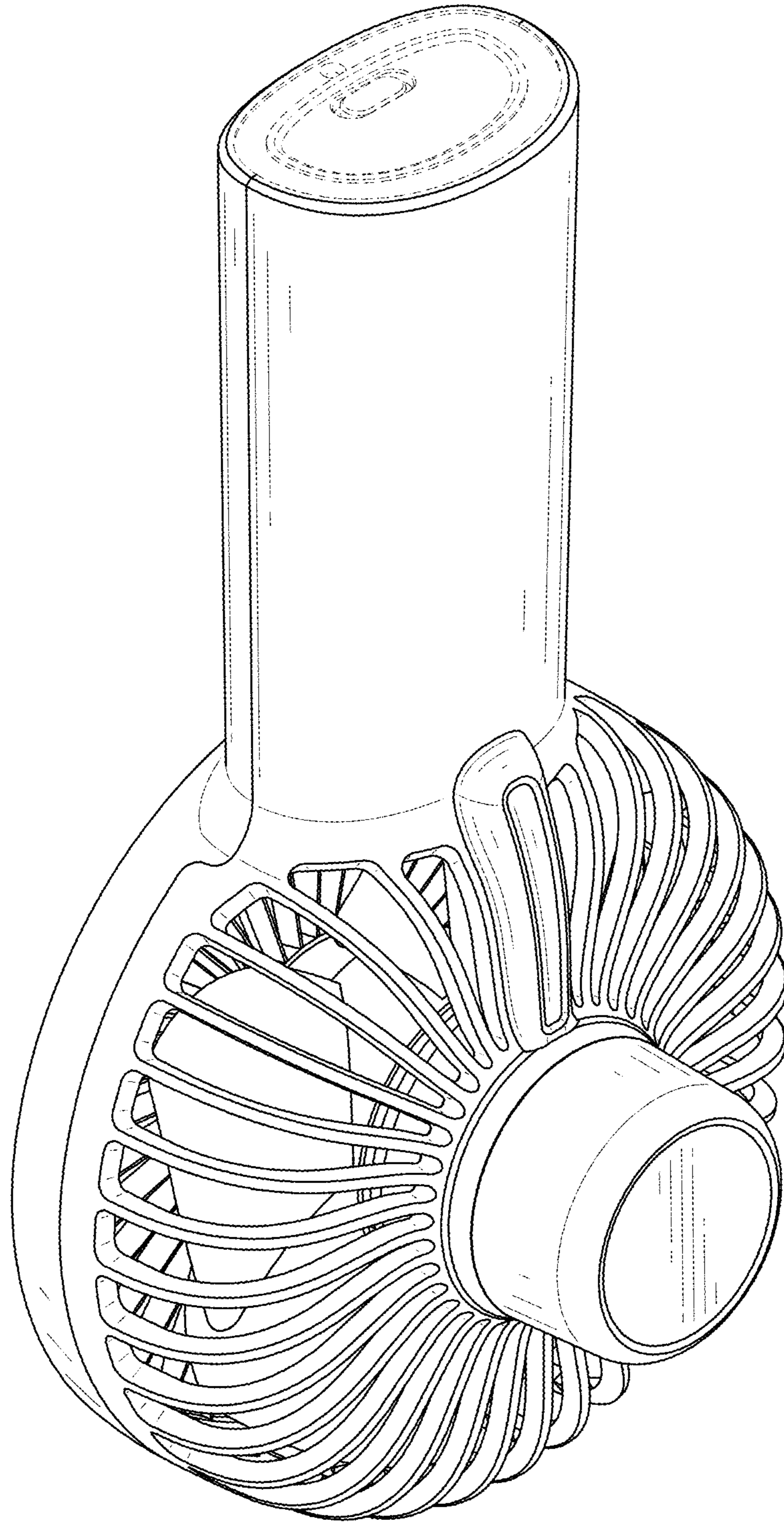


FIG. 10

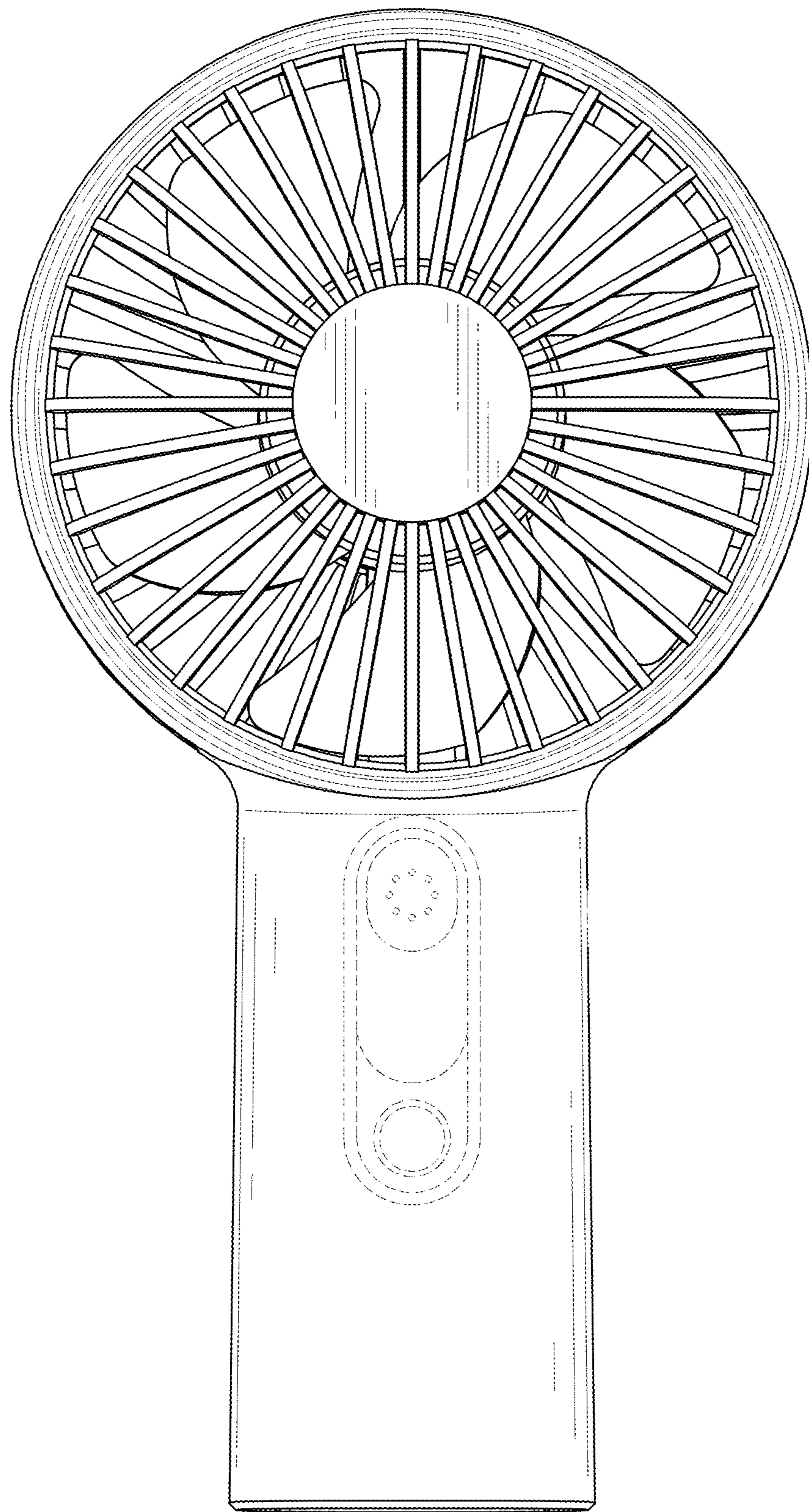


FIG. 11

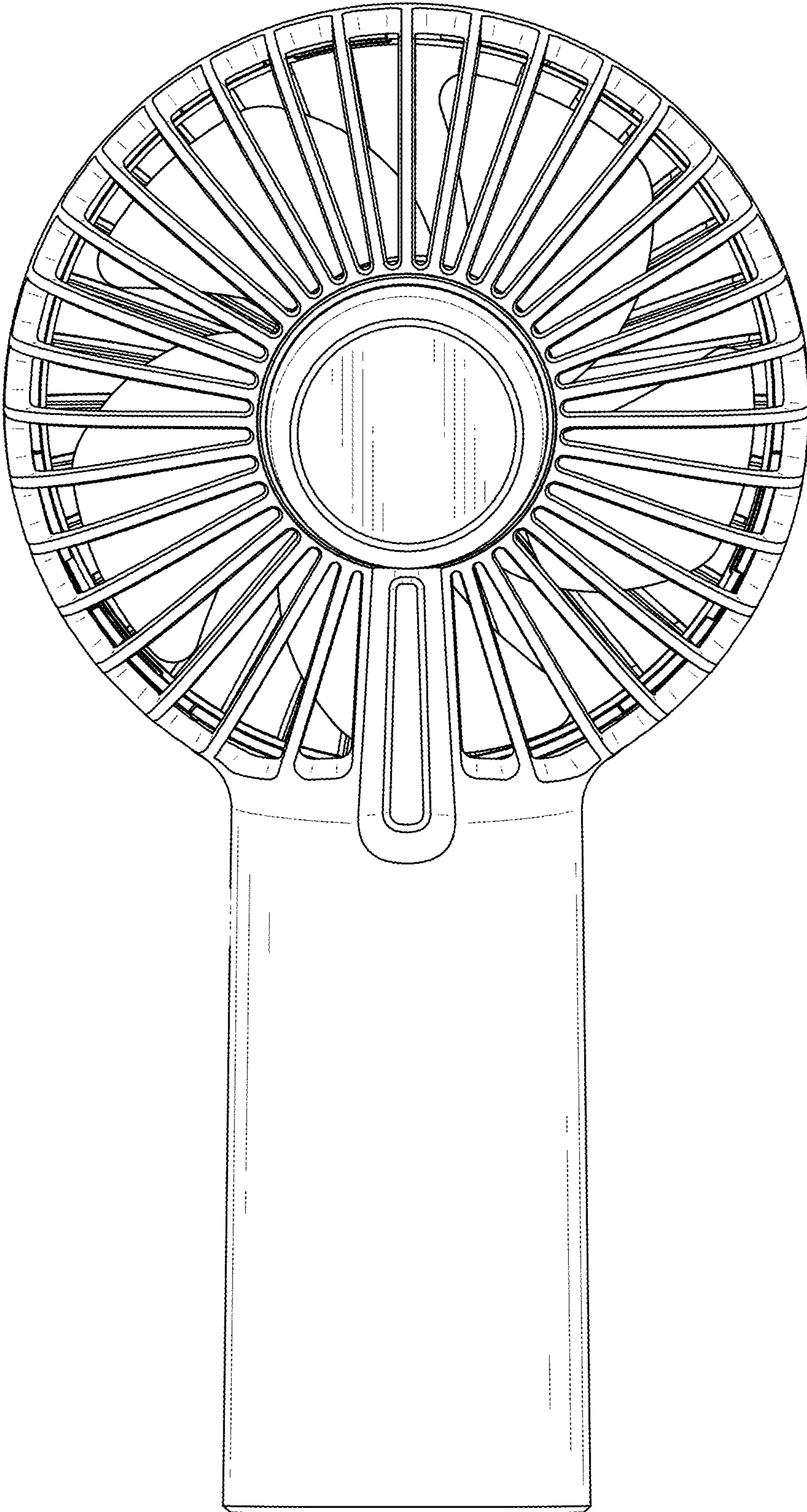


FIG. 12

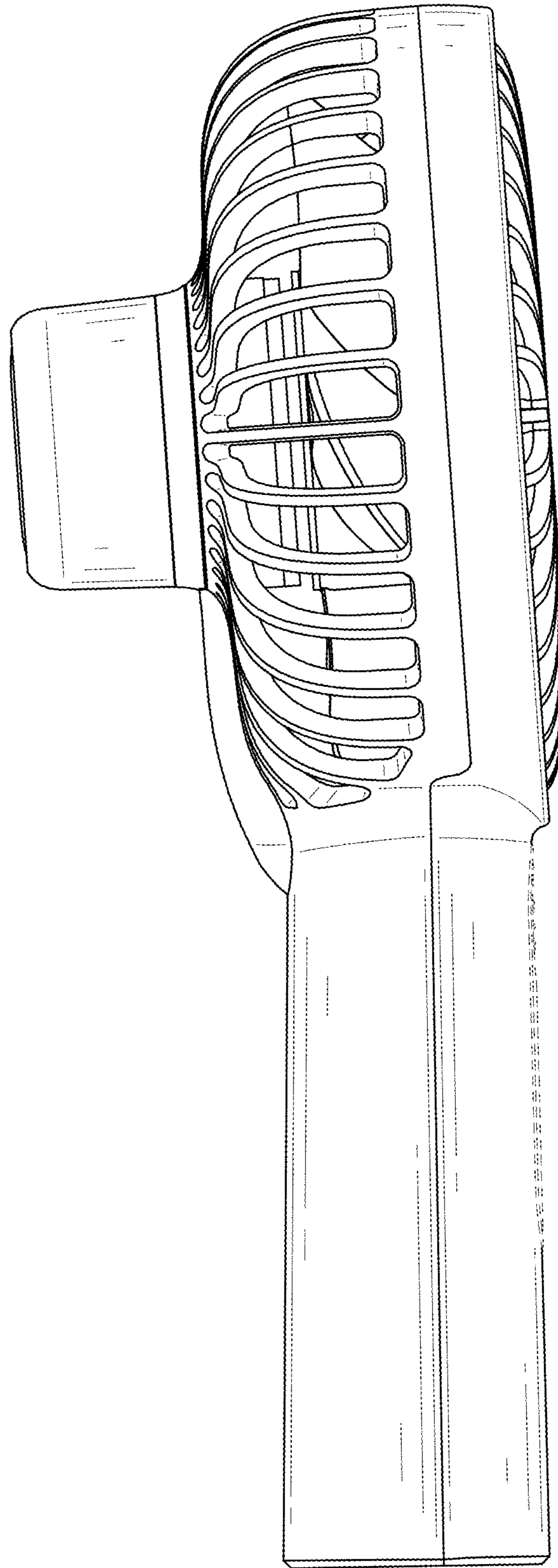


FIG. 13

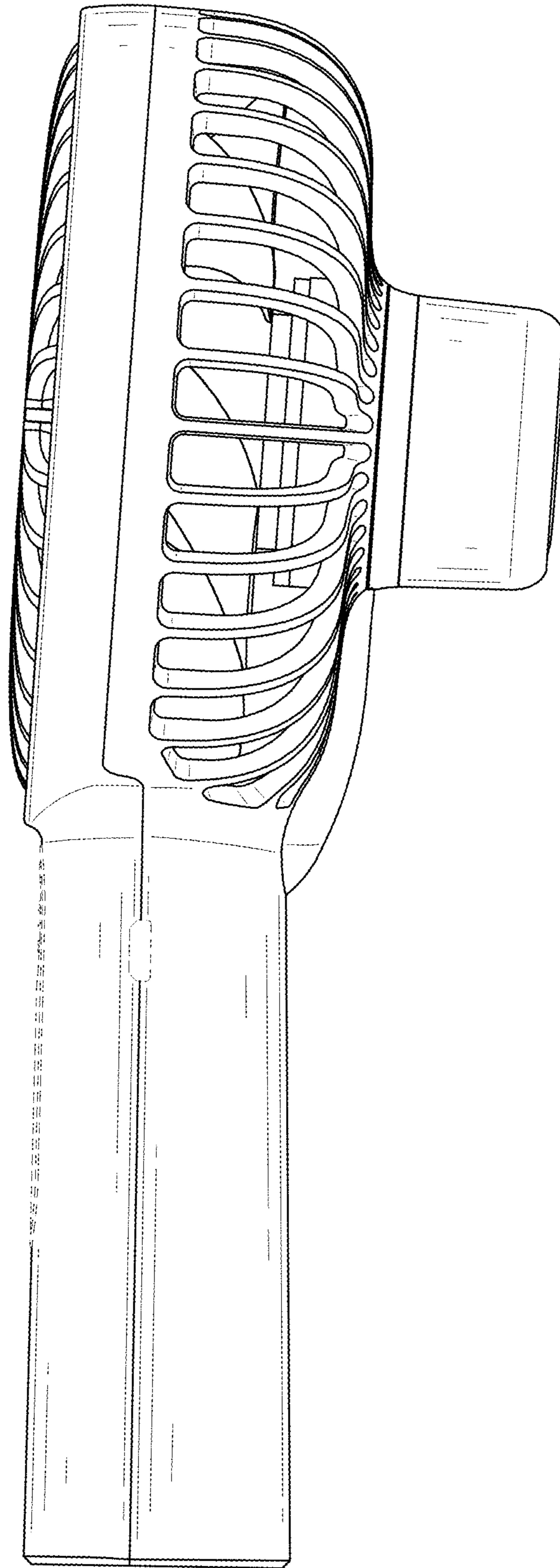


FIG. 14

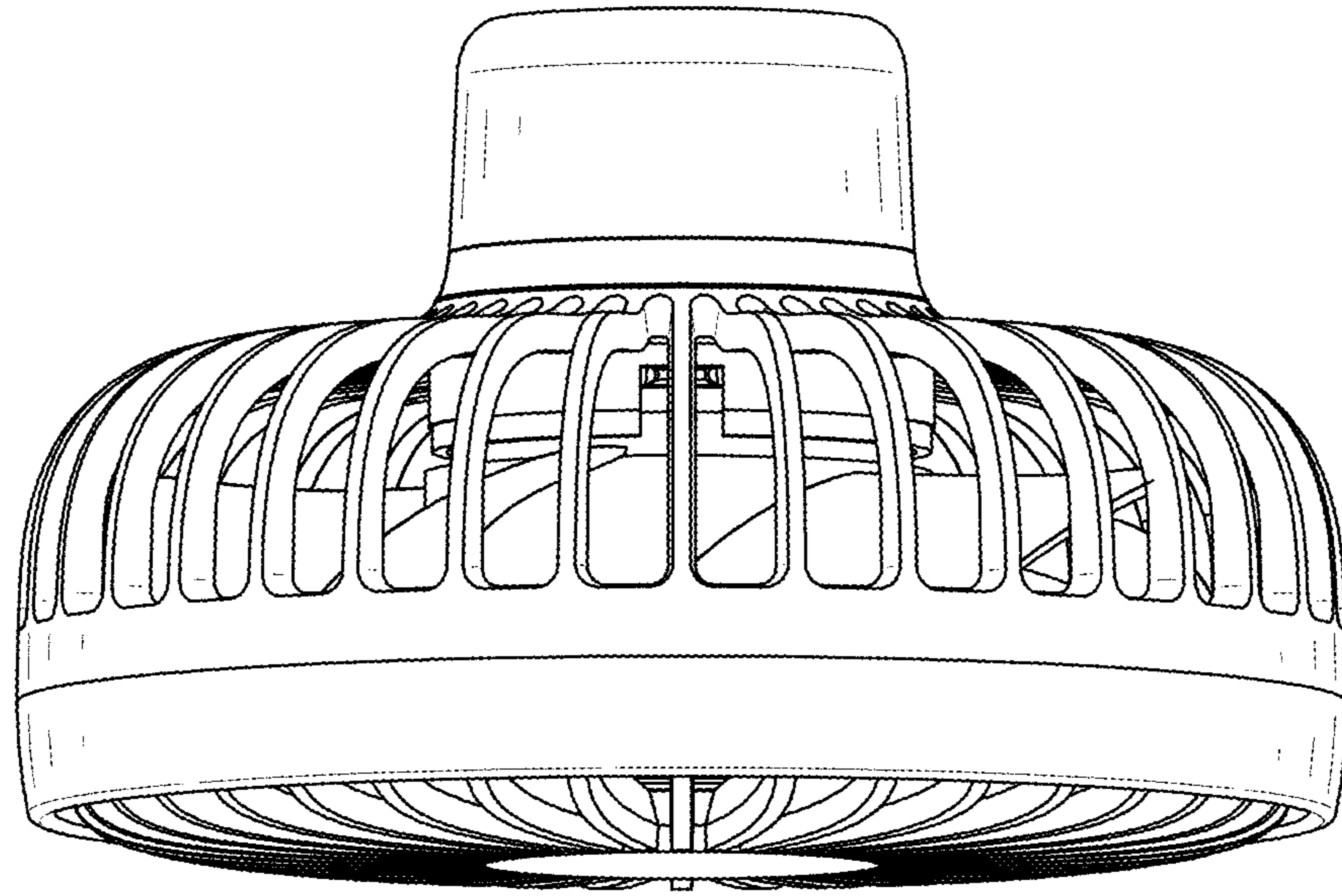


FIG. 15



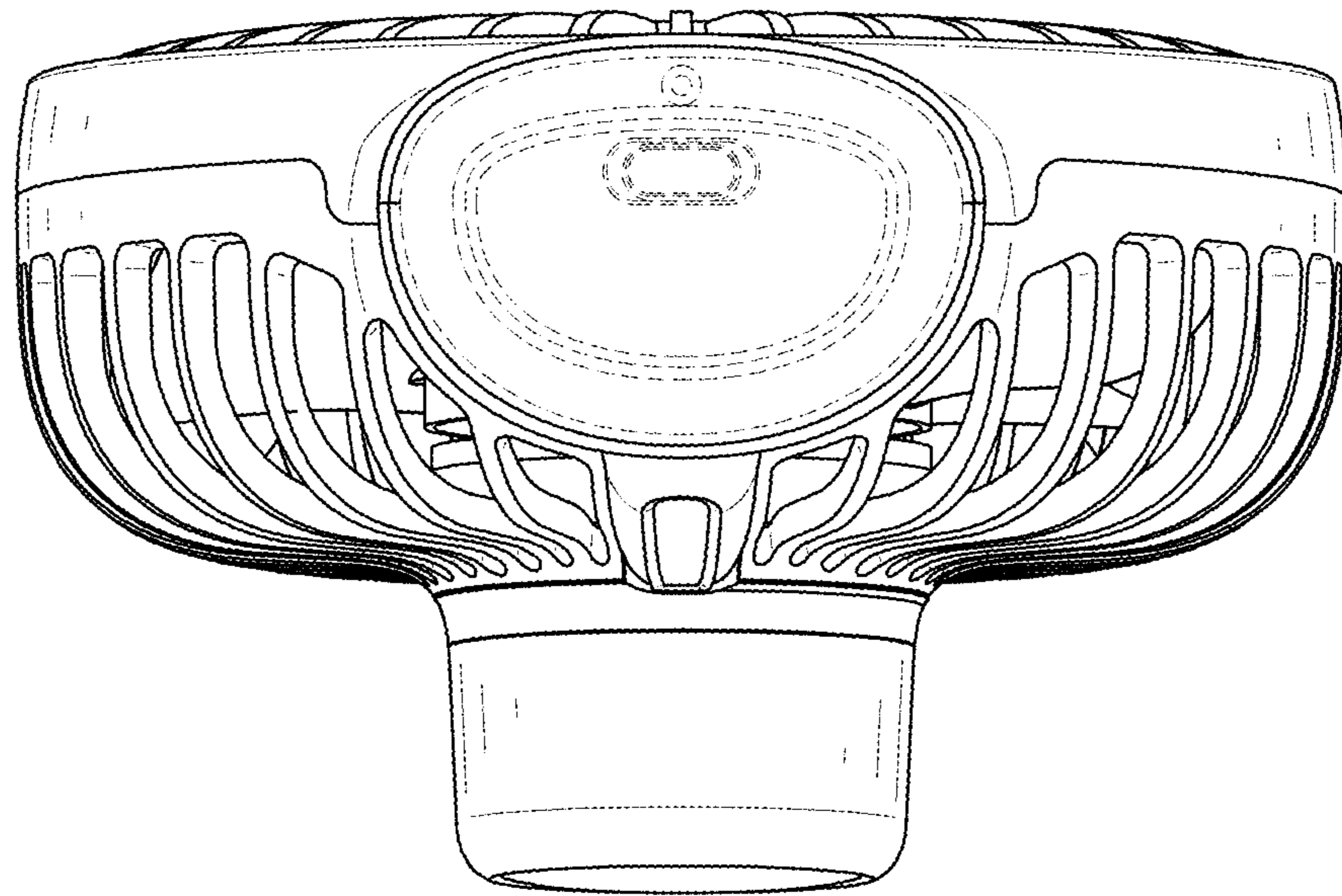


FIG. 16