



US00D907186S

(12) **United States Design Patent** (10) **Patent No.:** **US D907,186 S**
Gobber et al. (45) **Date of Patent:** **** Jan. 5, 2021**

(54) **DIFFUSING EVAPORATOR OF ACTIVE SUBSTANCES**

(71) Applicant: **ZOBELE HOLDING SPA**, Trento (IT)

(72) Inventors: **Cedric Gobber**, Barcelona (ES);
Joaquim Llorente Alonso, Barcelona (ES)

(73) Assignee: **ZOBELE HOLDING SPA**

(**) Term: **15 Years**

(21) Appl. No.: **29/671,252**

(22) Filed: **Nov. 26, 2018**

(30) **Foreign Application Priority Data**

May 24, 2018 (ES) 0528368

(51) **LOC (13) Cl.** **23-04**

(52) **U.S. Cl.**
USPC **D23/366**

(58) **Field of Classification Search**
USPC D23/201, 208, 355-369, 386; D11/79,
D11/81, 82, 99, 100, 161; D20/29, 30,
D20/32
CPC A61L 9/02; A61L 9/03; A61L 9/12; A61L
9/035; A61L 9/125
See application file for complete search history.

(56) **References Cited**

U.S. PATENT DOCUMENTS

D453,702 S *	2/2002	Hill	D11/7
D676,950 S *	2/2013	Angulo	D23/366
D837,961 S *	1/2019	Rodriguez Barbero Gonzalez	D23/366
D850,598 S *	6/2019	Gobber	D23/368

* cited by examiner

Primary Examiner — Sheryl Lane

Assistant Examiner — Calvin E Vansant

(74) *Attorney, Agent, or Firm* — Ostrolenk Faber LLP

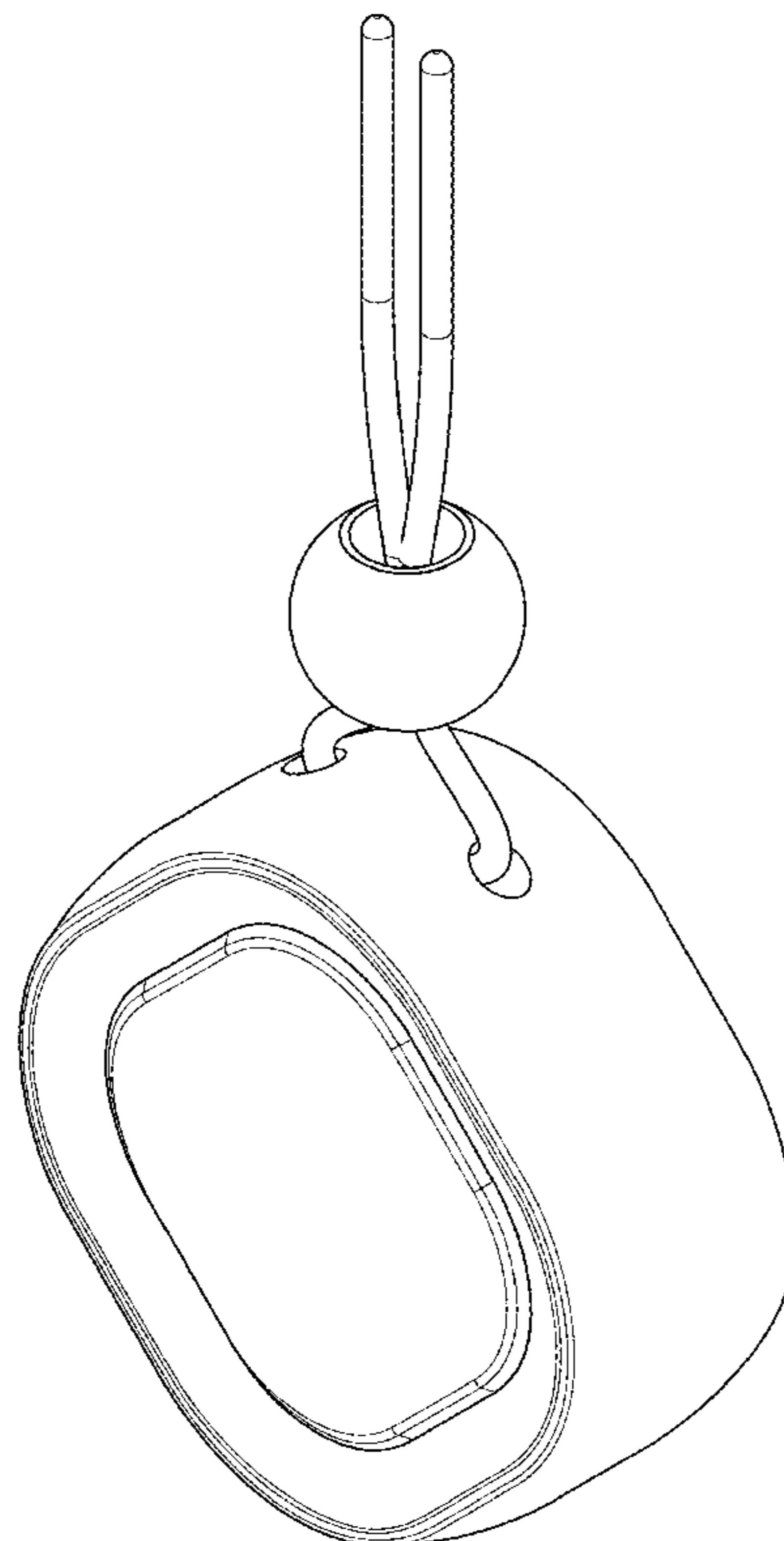
(57) **CLAIM**

The ornamental design for a diffusing evaporator of active substances, as shown and described.

DESCRIPTION

FIG. 1 is a side view illustration of a diffusing evaporator of active substances according to an aspect of the new design; FIG. 2 is a top, rear, and left side perspective view illustration thereof; FIG. 3 is a rear view illustration thereof; FIG. 4 is a top view illustration thereof; FIG. 5 is another side view illustration thereof; FIG. 6 is a front view illustration thereof; and, FIG. 7 is a bottom view illustration thereof. The broken lines depict portions of the diffusing evaporator of active substances that form no part of the claimed design.

1 Claim, 7 Drawing Sheets



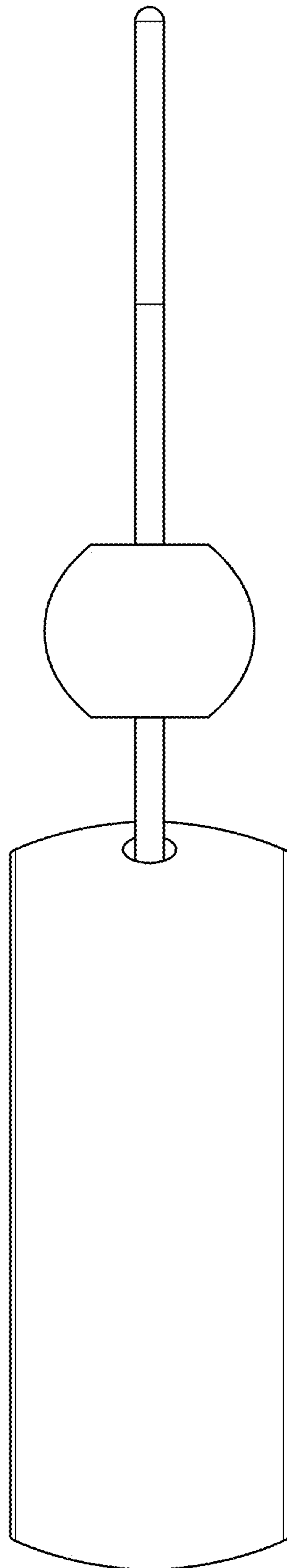


FIG. 1

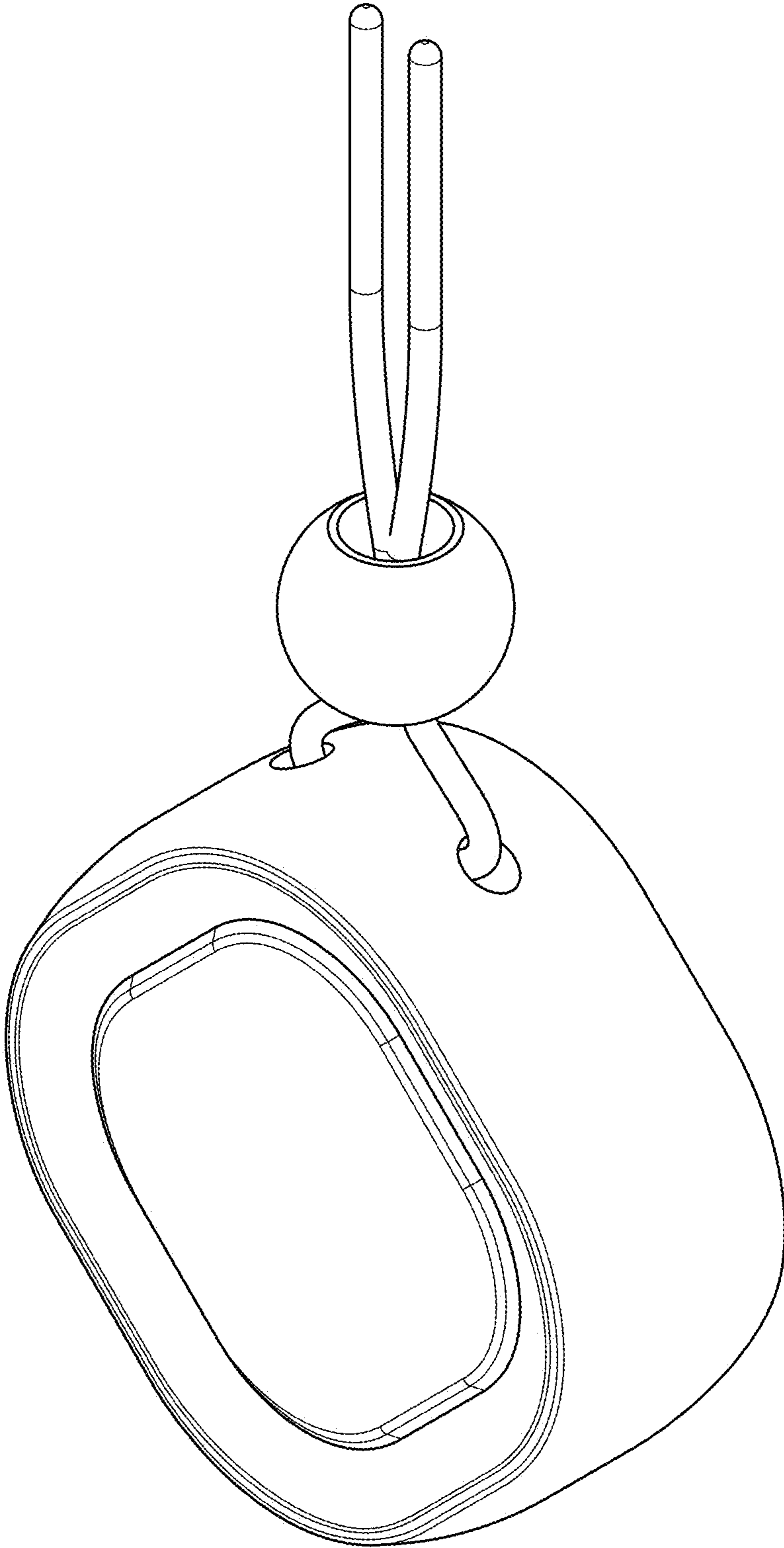


FIG. 2

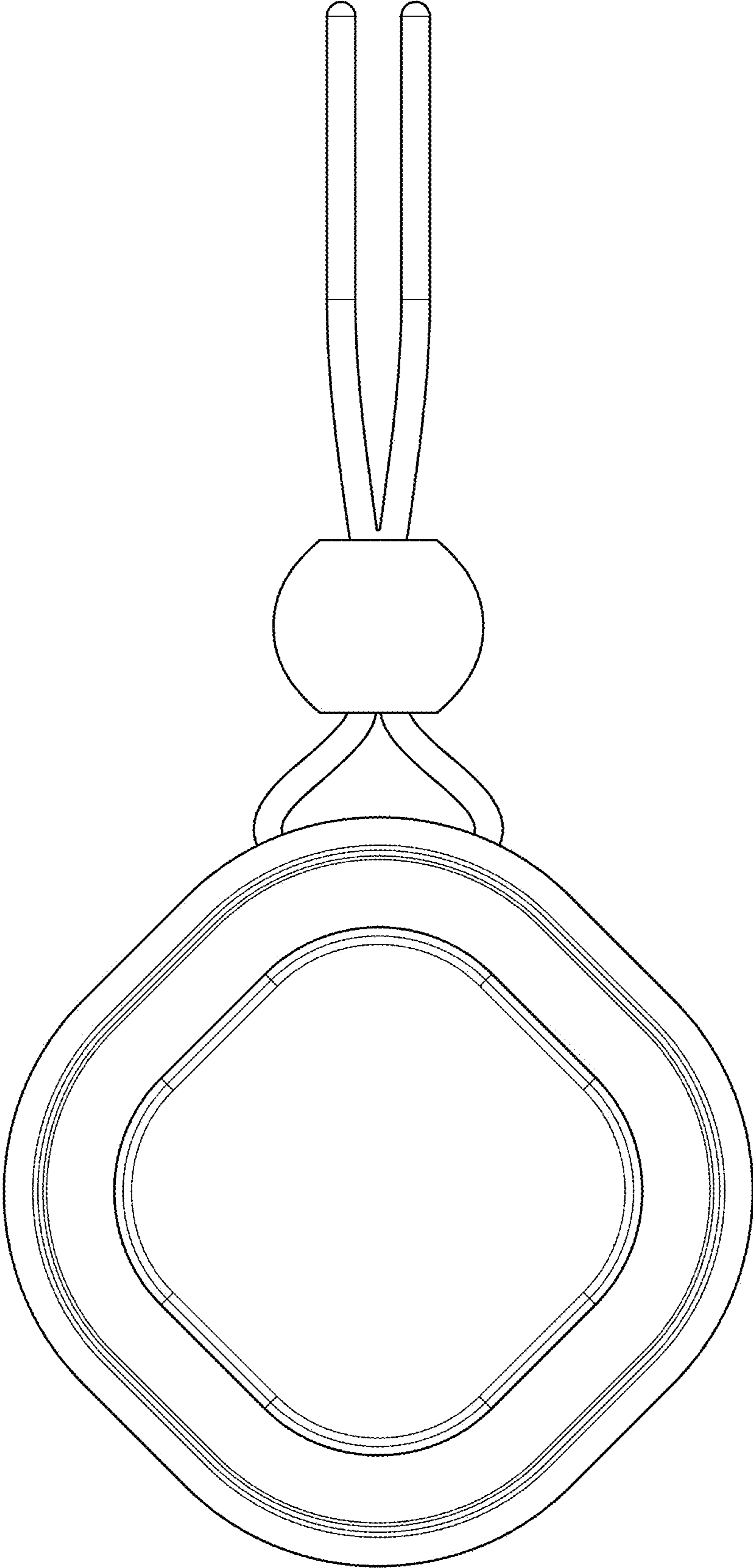


FIG. 3

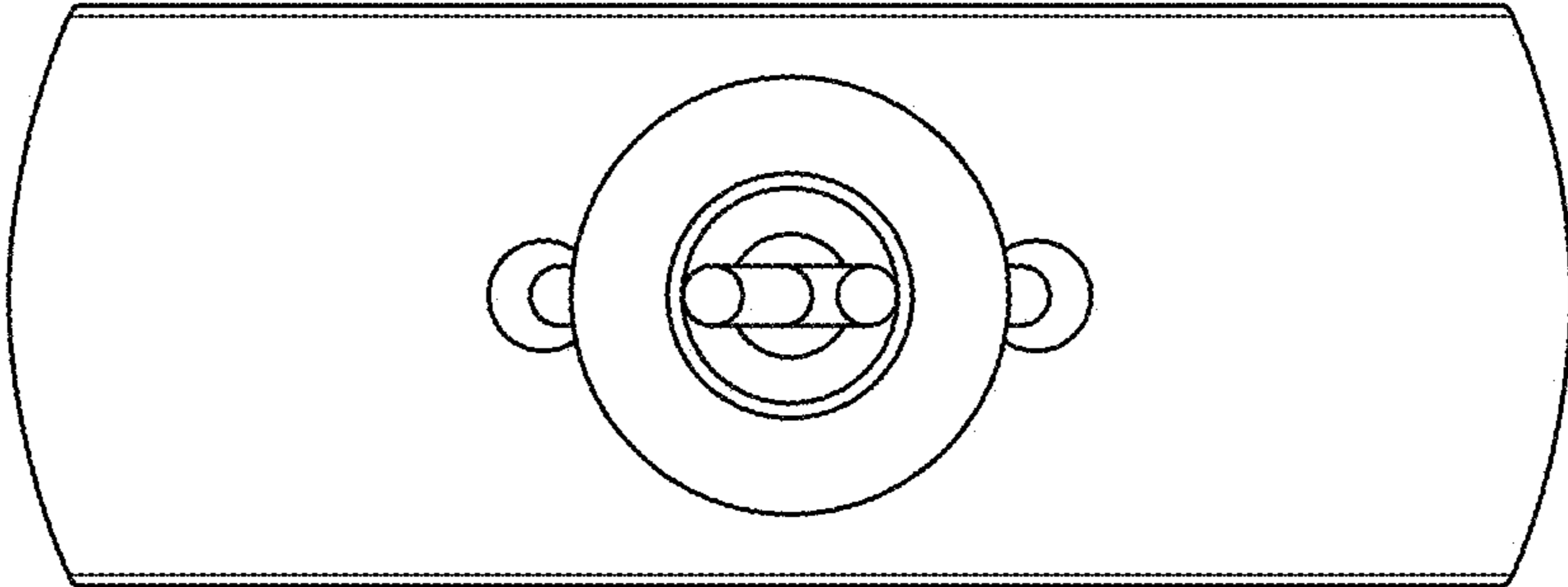


FIG. 4

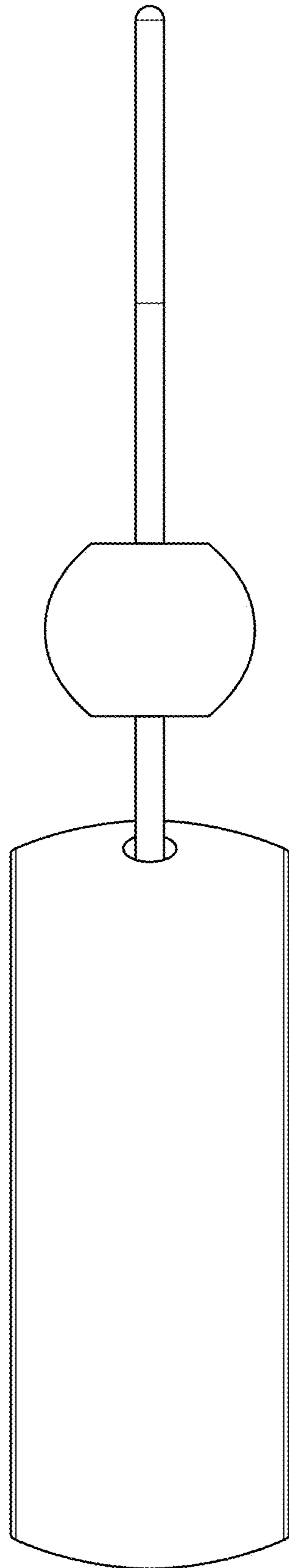


FIG. 5

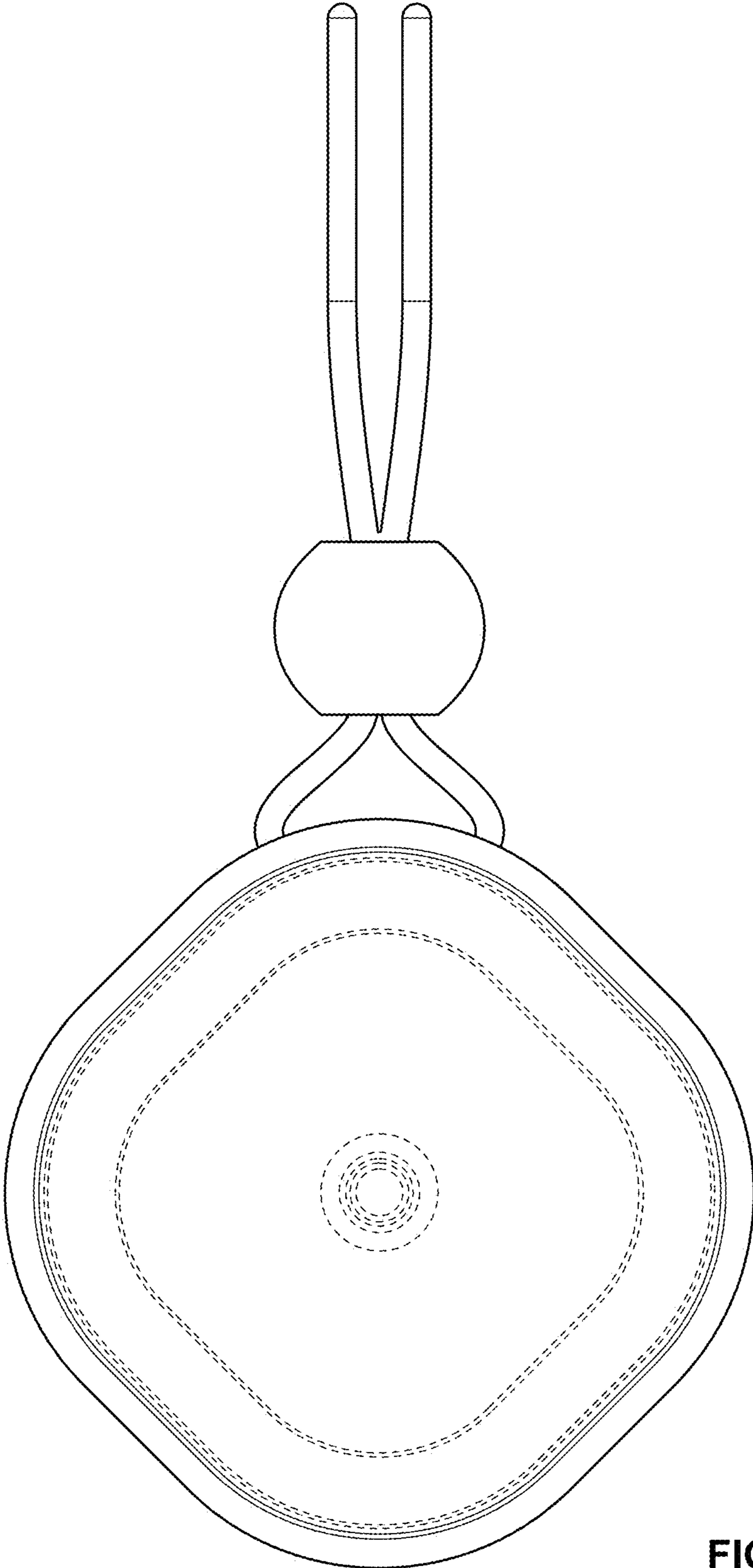


FIG. 6

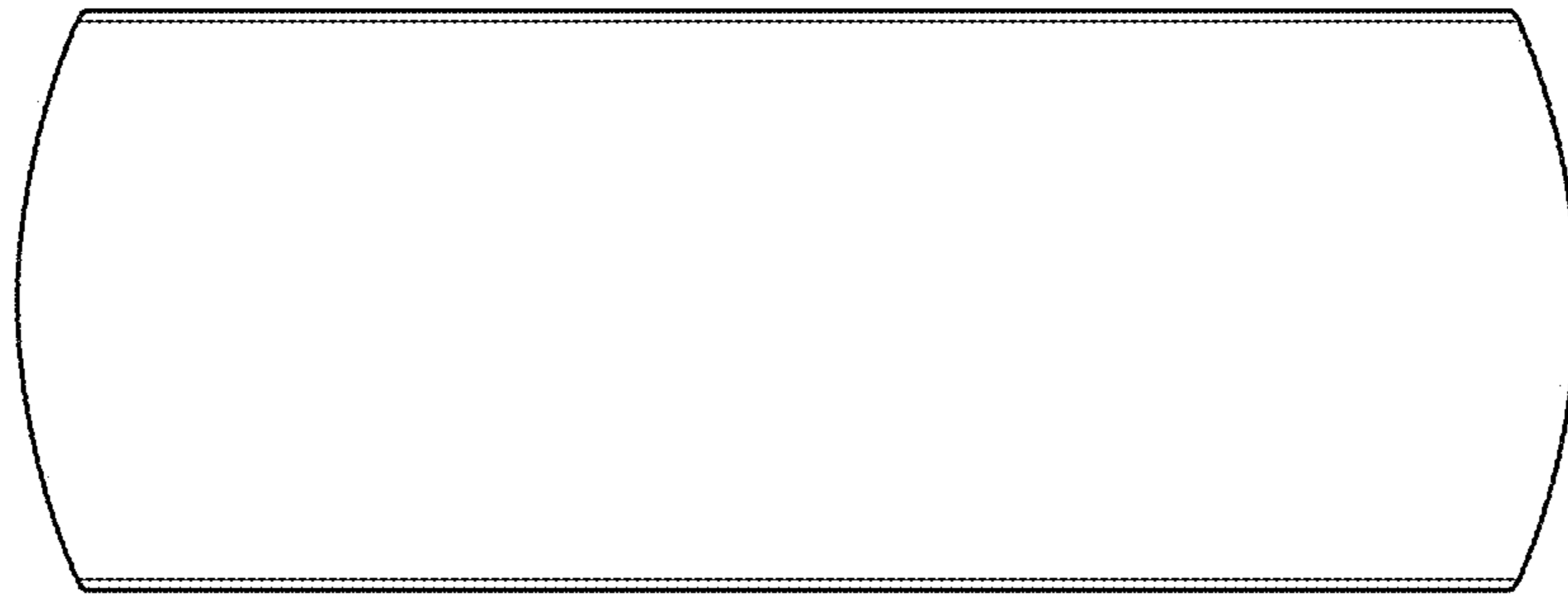


FIG. 7