



US00D907181S

(12) **United States Design Patent** (10) **Patent No.:** **US D907,181 S**
Miyawaki et al. (45) **Date of Patent:** **** Jan. 5, 2021**

(54) **FUTON WARMER**

FOREIGN PATENT DOCUMENTS

(71) Applicant: **IRIS OHYAMA INC.**, Sendai (JP)

JP 1294196 S 2/2007

(72) Inventors: **Masayuki Miyawaki**, Kakuda (JP);
Masayuki Kosaka, Kakuda (JP)

JP D1540072 * 2/2015

KR 301060760.0000 * 9/2019

(73) Assignee: **IRIS OHYAMA INC.**, Sendai (JP)

OTHER PUBLICATIONS

(**) Term: **15 Years**

Futon Dryer 2, announced Sep. 23, 2019[online], [site visited Jun. 22, 2020]. Available from internet, URL:<<https://www.amazon.co.uk/dp/B07Y828PPZ?tag=smart-kitchen-21&linkCode=osi&th=1&keywords=Futon+Dryer>> (Year: 2019).*

(21) Appl. No.: **29/683,137**

(Continued)

(22) Filed: **Mar. 11, 2019**

Primary Examiner — Barbara Fox

(30) **Foreign Application Priority Data**

Assistant Examiner — Jamaal Rasheed

Sep. 10, 2018 (JP) 2018-019674

(74) *Attorney, Agent, or Firm* — Stuebaker & Brackett PC

(51) **LOC (13) Cl.** **23-01**

(52) **U.S. Cl.**

USPC **D23/335**

(58) **Field of Classification Search**

USPC D23/356, 340, 238, 335, 329; D32/1;
D28/12; 34/99

See application file for complete search history.

(57) **CLAIM**

The ornamental design for a futon warmer, as shown and described.

(56) **References Cited**

DESCRIPTION

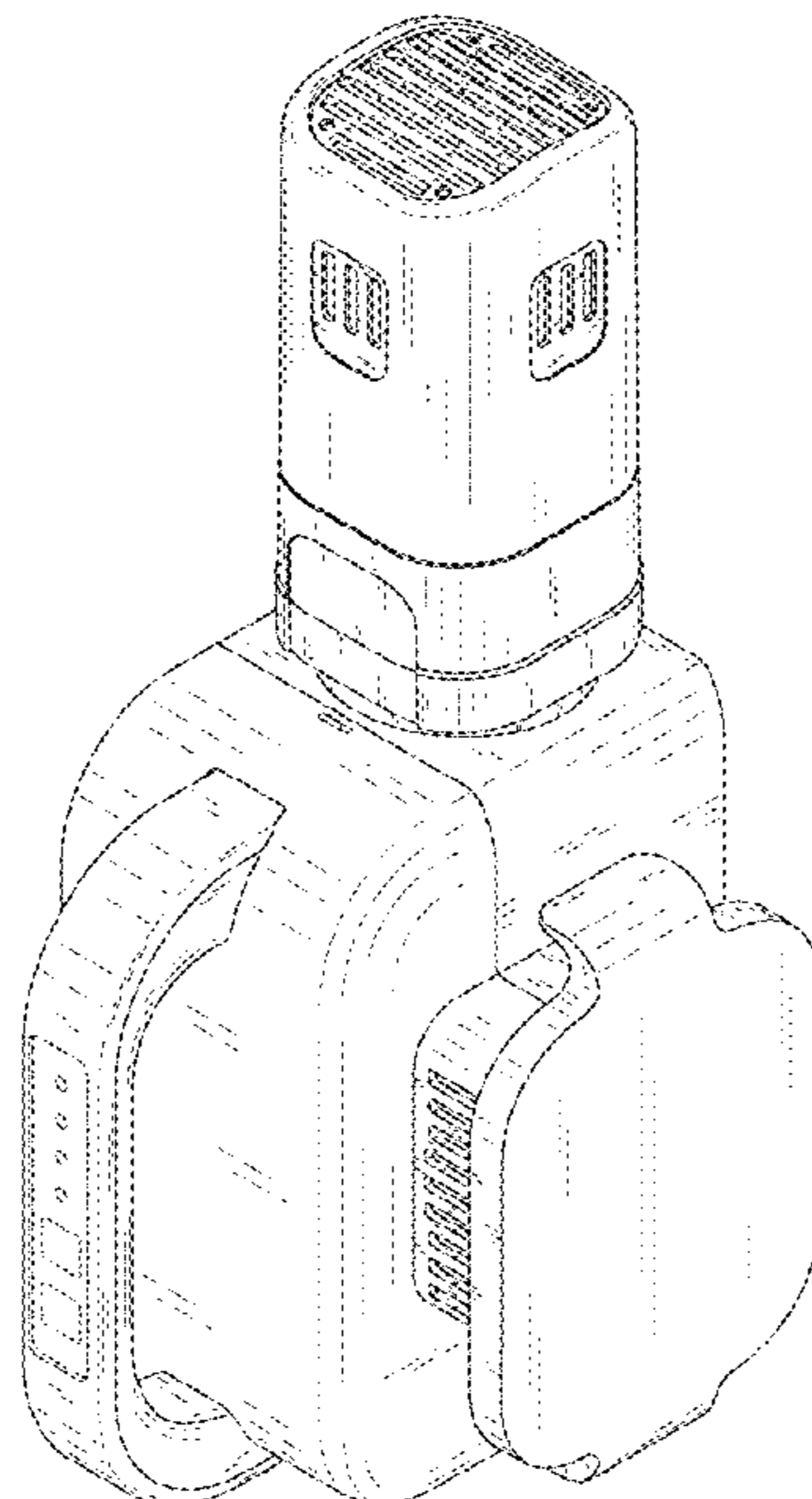
U.S. PATENT DOCUMENTS

D292,325 S * 10/1987 Maass D28/12
D312,892 S * 12/1990 Eberts D28/12
5,787,601 A * 8/1998 Stelly A45D 20/44
34/101

D613,008 S * 3/2010 Ullmann D32/1
D781,509 S * 3/2017 Yao D32/1
D790,295 S 6/2017 Tinius
D881,489 S * 4/2020 Miyawaki D32/1
D881,490 S * 4/2020 Miyawaki D32/1
D881,491 S * 4/2020 Miyawaki D32/1
D886,973 S * 6/2020 Miyawaki D23/356
D886,974 S * 6/2020 Miyawaki D23/356

FIG. 1 is a front, top and right-side perspective view of a futon warmer showing our new design;
FIG. 2 is a front view thereof;
FIG. 3 is a rear view thereof;
FIG. 4 is a top view thereof;
FIG. 5 is a bottom view thereof;
FIG. 6 is a right-side view thereof;
FIG. 7 is a left-side view thereof; and,
FIG. 8 is a rear, top and left-side perspective view thereof.
The broken lines shown in the drawings depict portions of the futon warmer that form no part of the claimed design.
The interior elements seen beyond the grill in FIG. 4 form no part of the claimed design.

1 Claim, 8 Drawing Sheets



(56)

References Cited

OTHER PUBLICATIONS

Futon Dryer, announced Nov. 23, 2016[online], [site visited Jun. 22, 2020]. Available from internet, URL:<<https://www.amazon.com/IRIS-OHYAMA-Futon-KARARIE-FK-C2-P/dp/B01M004HDY>> (Year: 2016).*

Mitsubishi futon dryer 'Hosubei', (Dempa Publications H10.11.20 P27, p. 1, AD-H350M, (Japan Patent Office Design Patent Department, publicly known reference No. HN11006060) US Patent trademark bulletin, (Jun. 27, 2017), D790295, (Japan Patent Office Design Patent Department, publicly known reference No. HH29315584). Iris Ohyama Inc., written in Home Page, SD-C1-WP, (Japan Patent Office Design Patent Department, publicly known reference No. HJ28055857).

An Office Action issued by the Japanese Patent Office on Apr. 17, 2019, which corresponds to Japanese Patent Application No. 2018-019674 and is related to U.S. Pat. No. 29/683,137.

* cited by examiner

FIG. 1

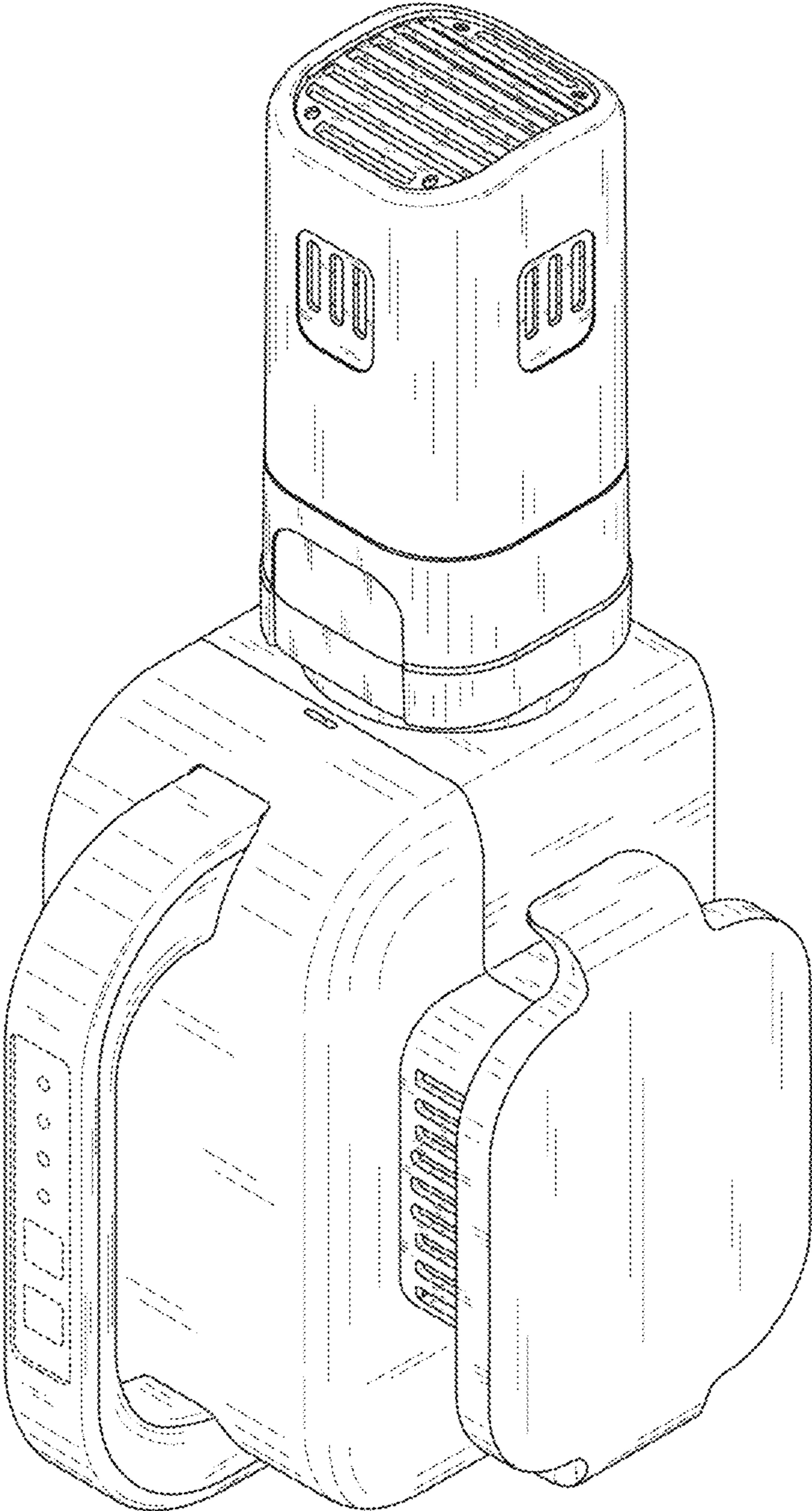


FIG. 2

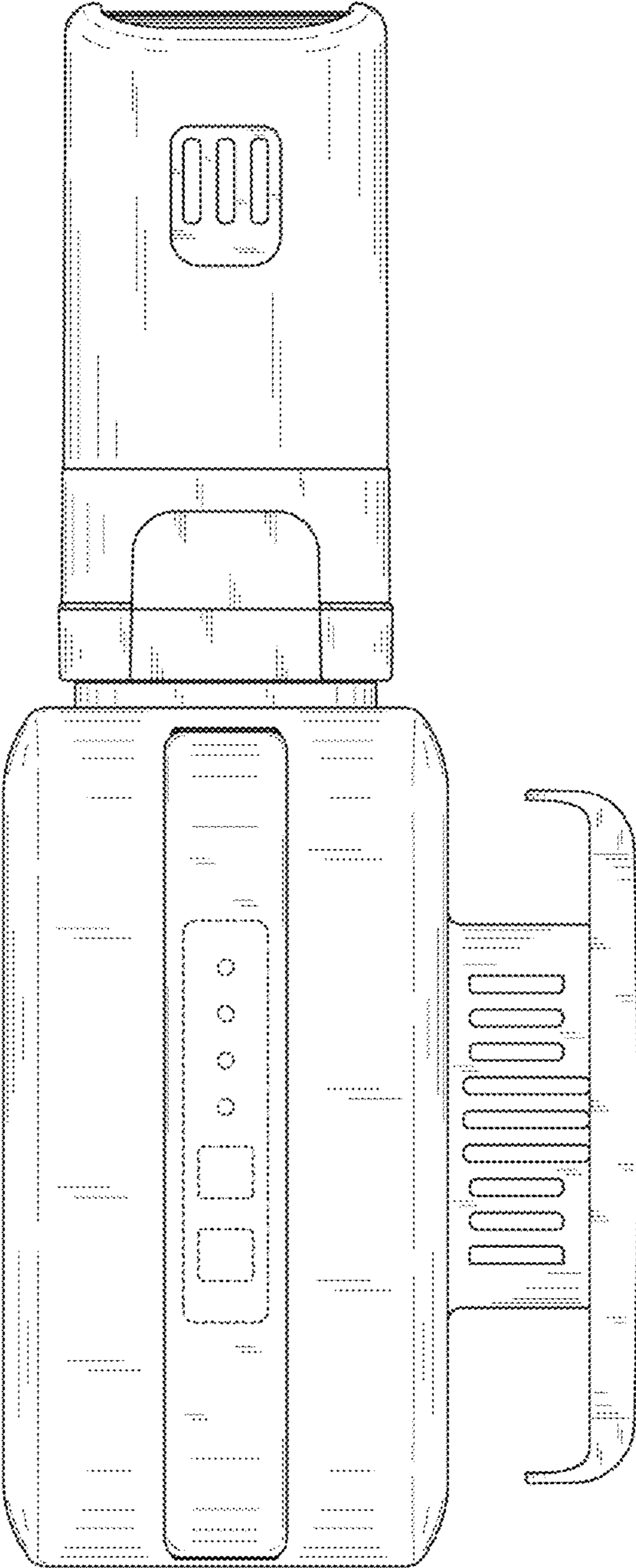


FIG. 3

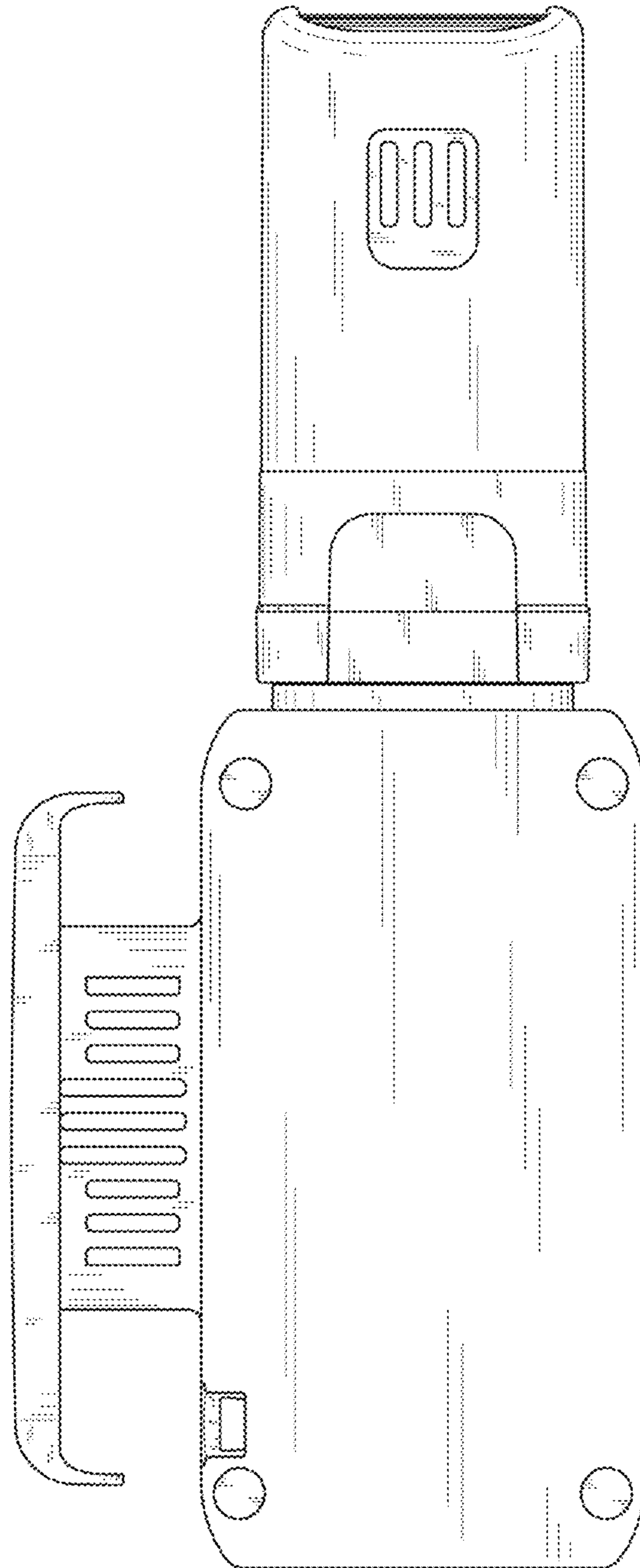


FIG. 4

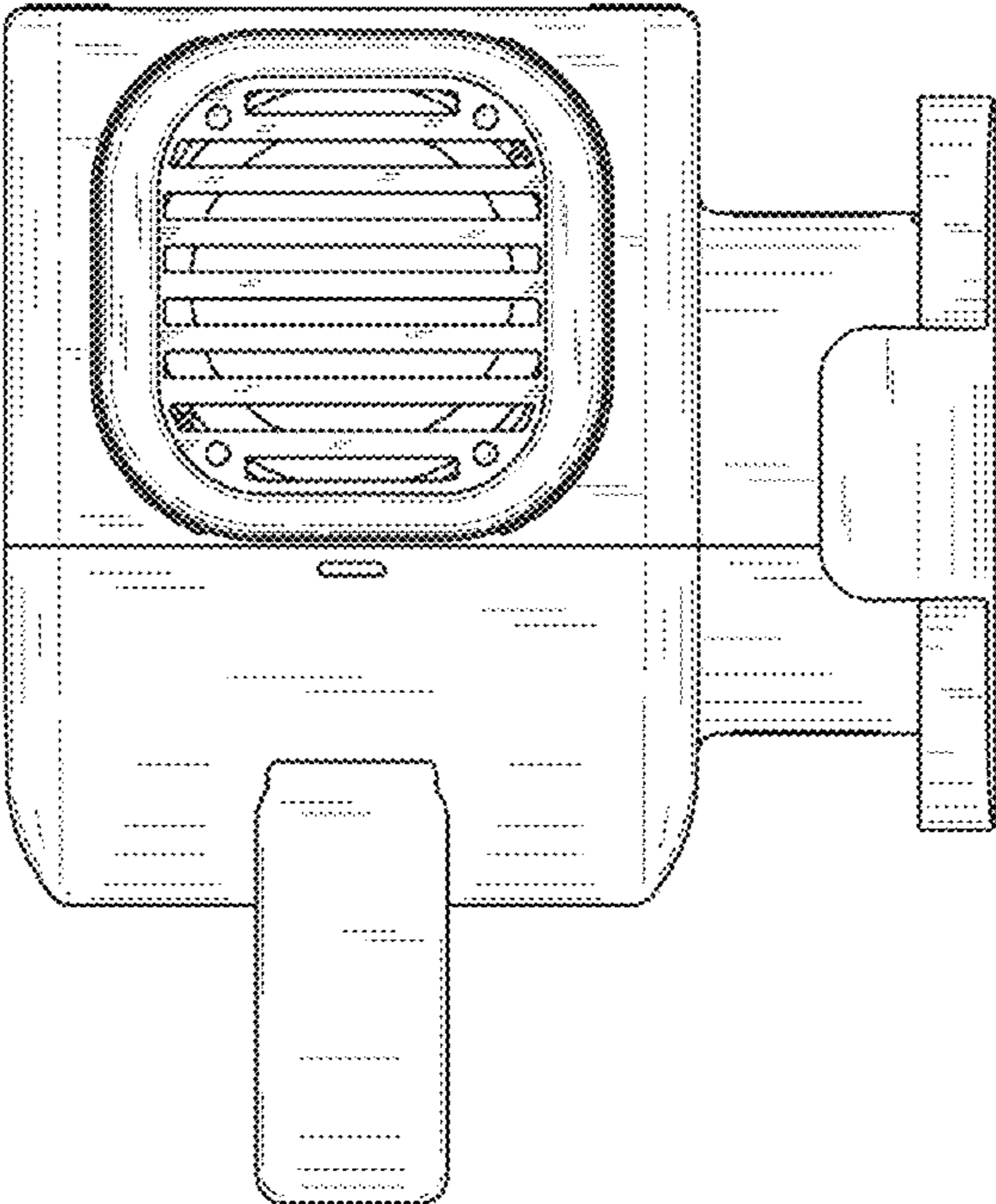


FIG. 5

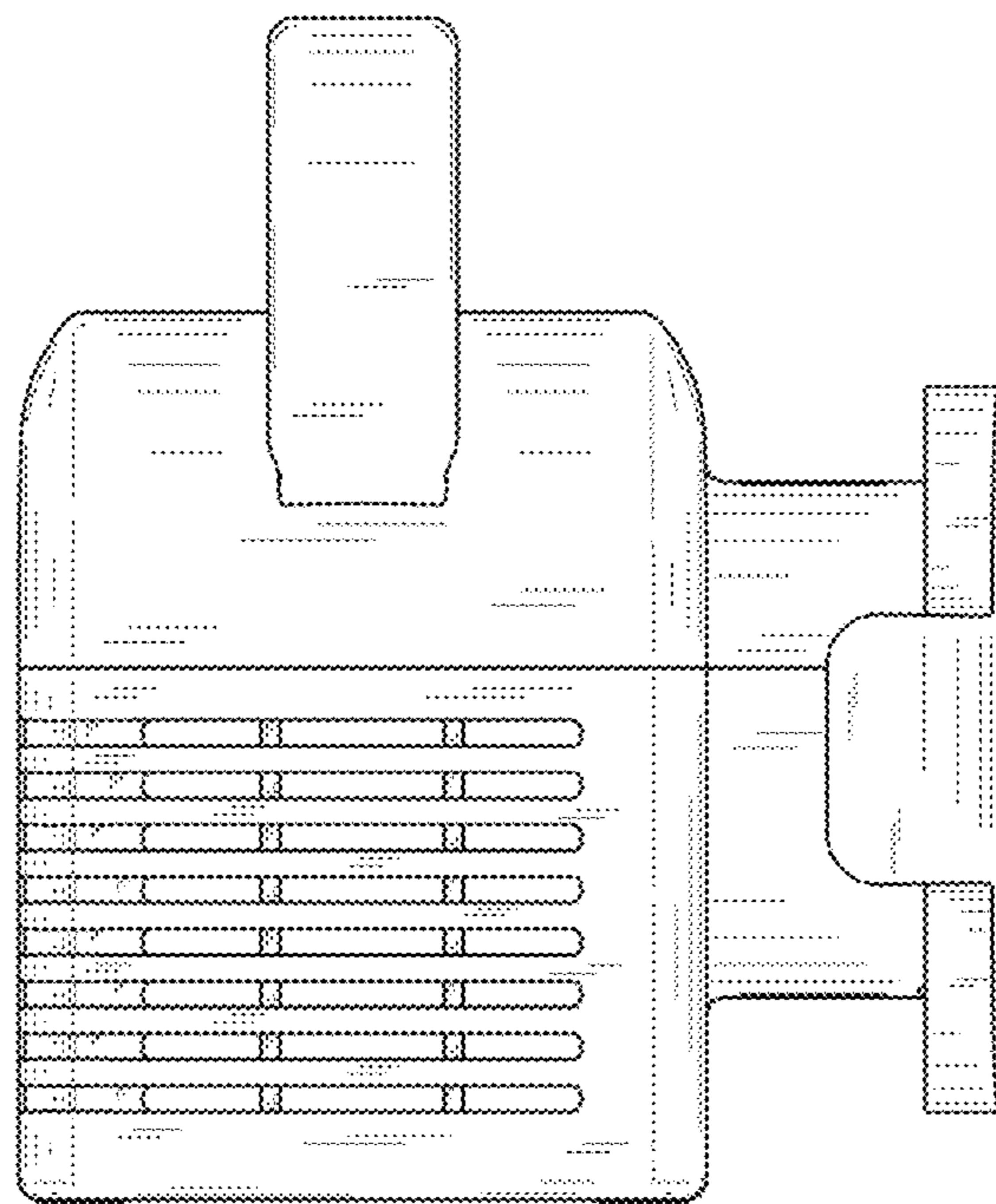


FIG. 6

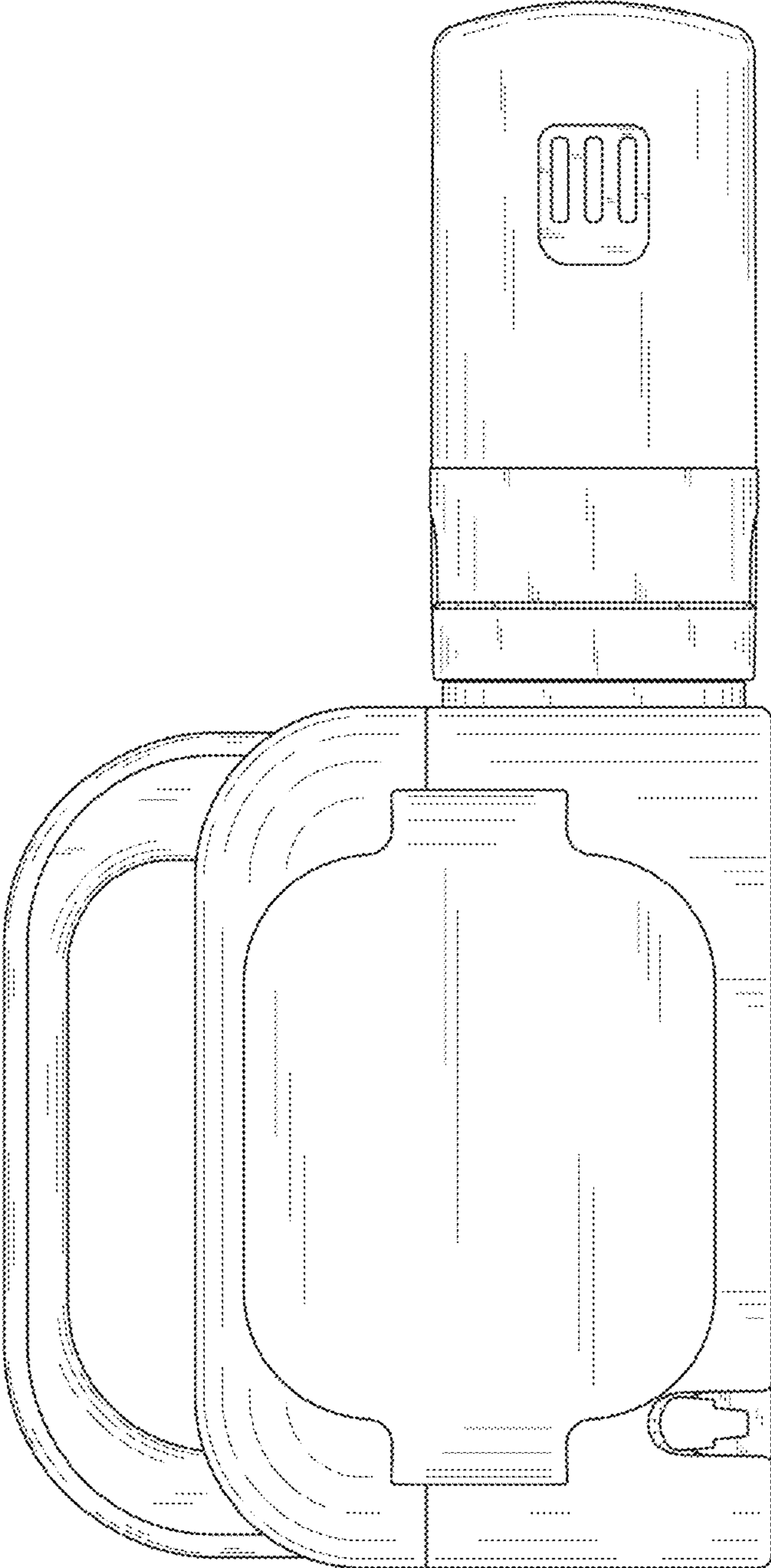


FIG. 7

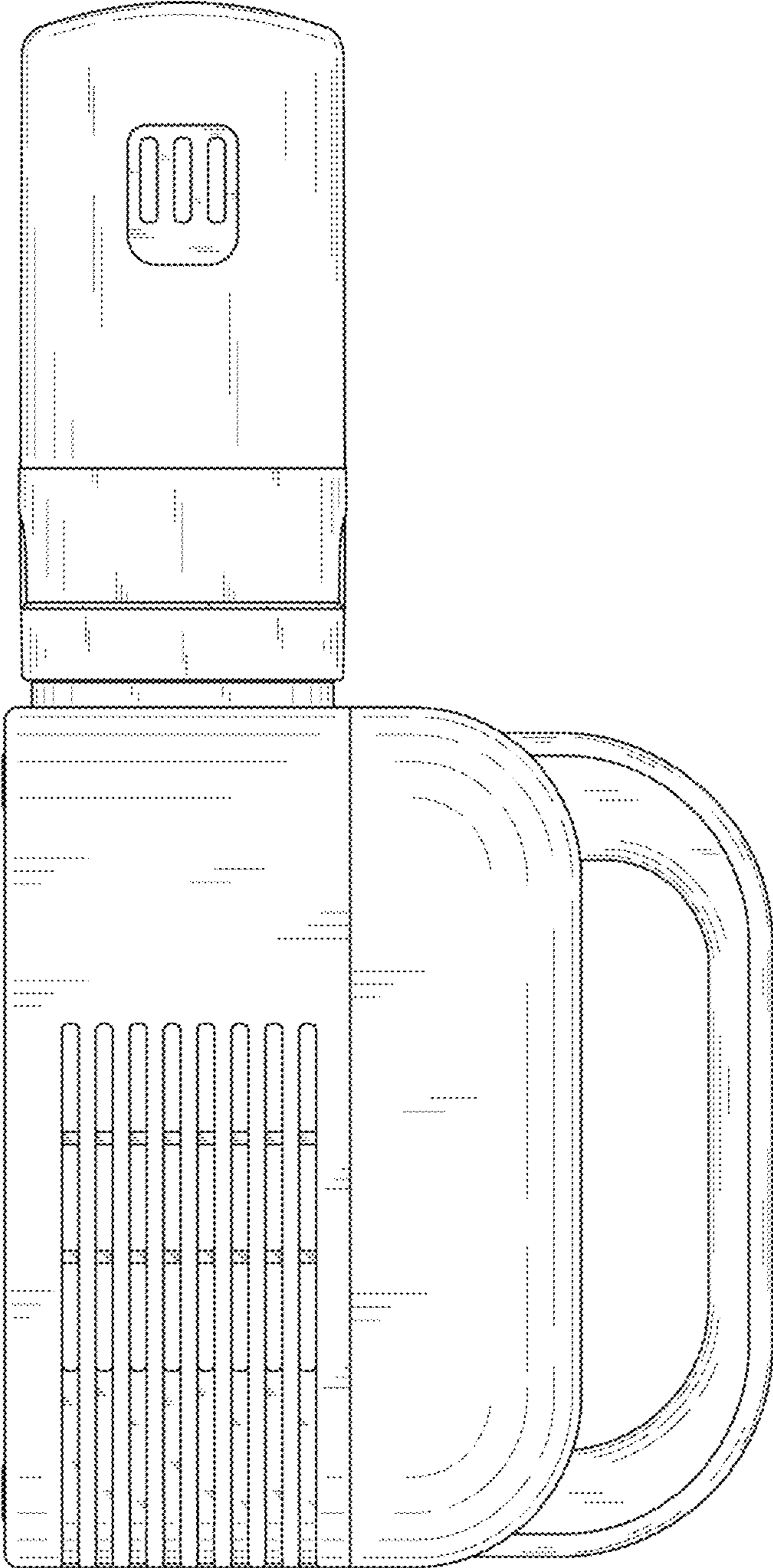


FIG. 8

