



US00D907179S

(12) **United States Design Patent**
Mitsuoka

(10) **Patent No.:** **US D907,179 S**

(45) **Date of Patent:** **** Jan. 5, 2021**

(54) **SHUTOFF VALVE**

9,951,667 B2 * 4/2018 Mitsuoka F16K 27/067
10,036,476 B2 7/2018 Yamamoto et al.
D884,836 S * 5/2020 Yamamoto D23/245

(71) Applicant: **Ryuji Mitsuoka**, Redmond, WA (US)

(72) Inventor: **Ryuji Mitsuoka**, Redmond, WA (US)

(**) Term: **15 Years**

(21) Appl. No.: **29/696,405**

(22) Filed: **Jun. 27, 2019**

(51) **LOC (13) Cl.** **23-02**

(52) **U.S. Cl.**

USPC **D23/245**

(58) **Field of Classification Search**

USPC D23/245, 233, 249, 259, 262; 137/240,
137/412, 801; 251/148, 152, 309

CPC F16K 27/067; F16K 5/0647; F16K 15/183;
F16K 31/60; F16K 27/0209; F16K
15/144; F16K 15/148; E21B 2200/04

See application file for complete search history.

(56) **References Cited**

U.S. PATENT DOCUMENTS

5,407,177	A	4/1995	Lombardo	
5,765,612	A	6/1998	Morin	
6,860,468	B1	3/2005	Morin	
D602,565	S *	10/2009	Nimberger	D23/233
D701,945	S *	4/2014	Mitsuoka	D23/245
D701,946	S *	4/2014	Mitsuoka	D23/245
D755,348	S *	5/2016	Mitsuoka	D23/233
D783,778	S	4/2017	Yamamoto et al.	
9,752,702	B2	9/2017	Yamamoto et al.	
D812,194	S *	3/2018	Yamamoto	D23/245

OTHER PUBLICATIONS

“EZ Oil EZ Fuel Line Valve”, <https://www.forconstructionpros.com/equipment/fleet-maintenance/oils-lubricants-greases/product/21064875/ez-oil-drain-valve-ez-oil-ez-fuel-line-valve>.

“Fumoto Oil Drain Valve”. www.fumotousa.com.

* cited by examiner

Primary Examiner — Gino Colan

(57) **CLAIM**

The ornamental design for a shutoff valve, as shown and described.

DESCRIPTION

FIG. 1 is a front-top perspective view of a shutoff valve showing my new design;

FIG. 2 is a front-bottom perspective view thereof;

FIG. 3 is a rear-top perspective view thereof;

FIG. 4 is a rear-bottom perspective view thereof;

FIG. 5 is a front elevational view thereof;

FIG. 6 is a rear elevational view thereof;

FIG. 7 is a left elevational view thereof;

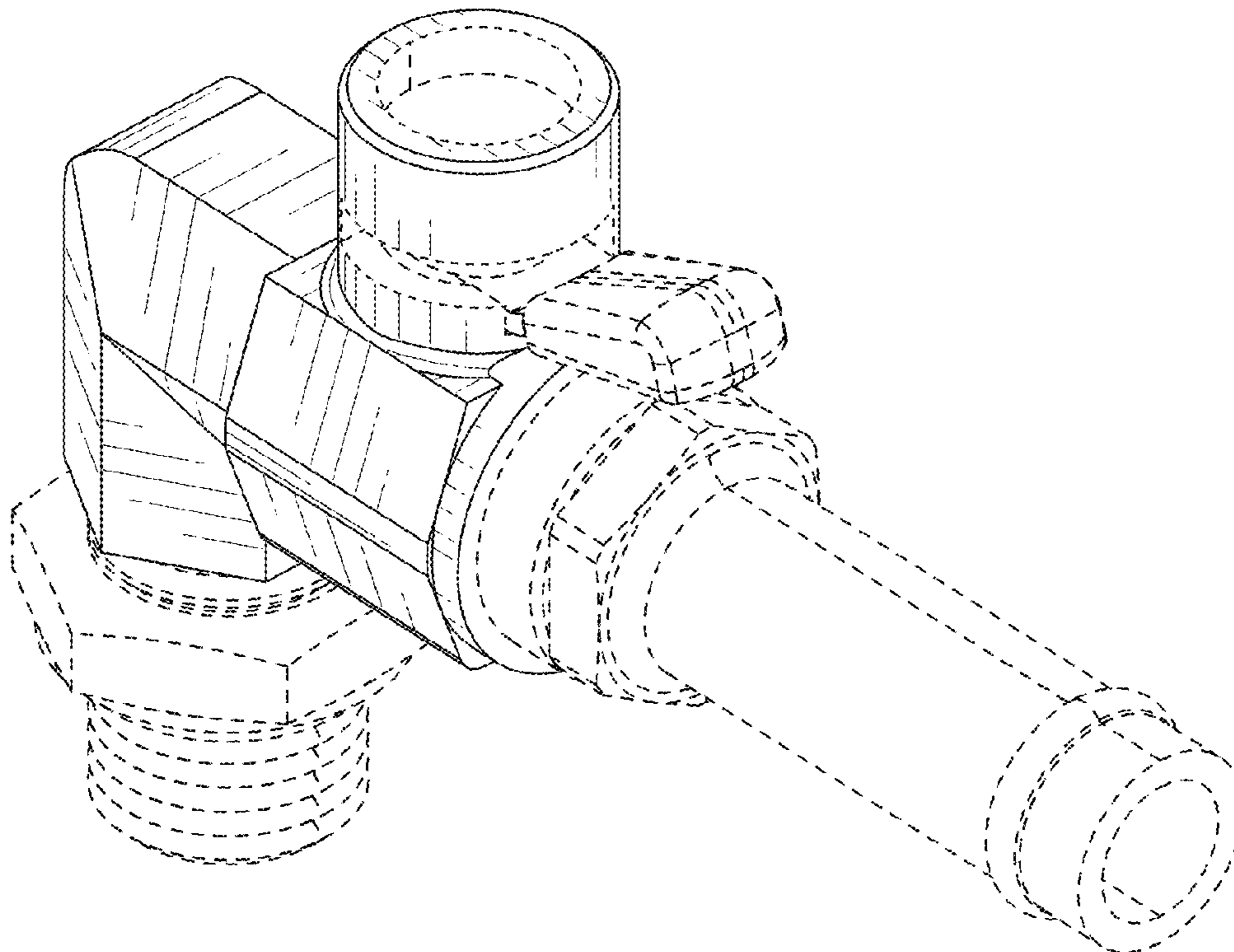
FIG. 8 is a right elevational view thereof;

FIG. 9 is a top plan view thereof; and,

FIG. 10 is a bottom plan view thereof.

The broken lines shown in the figures are included for the purpose of illustrating portions of the shutoff valve and forms no part of the claimed design.

1 Claim, 10 Drawing Sheets



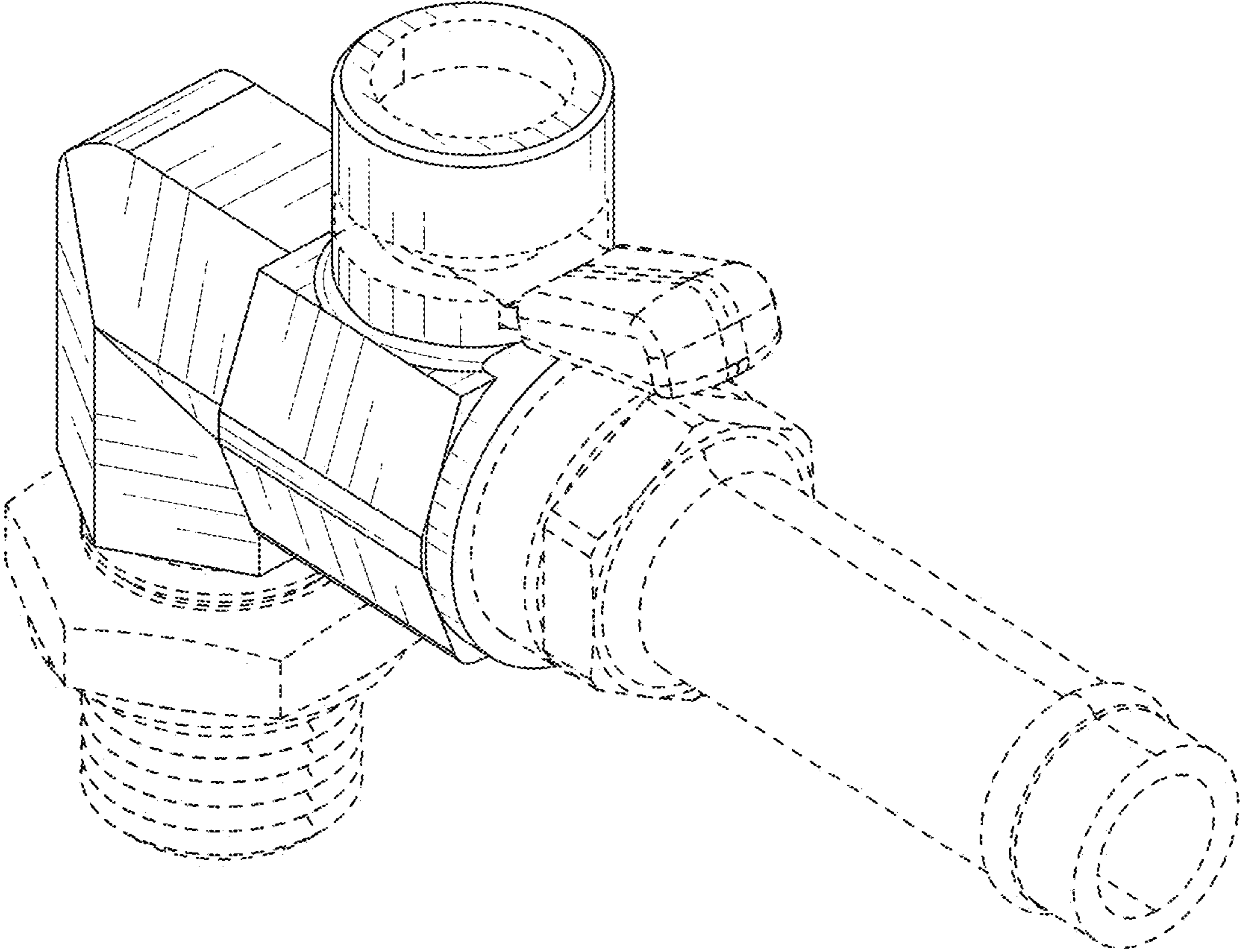


FIG. 1

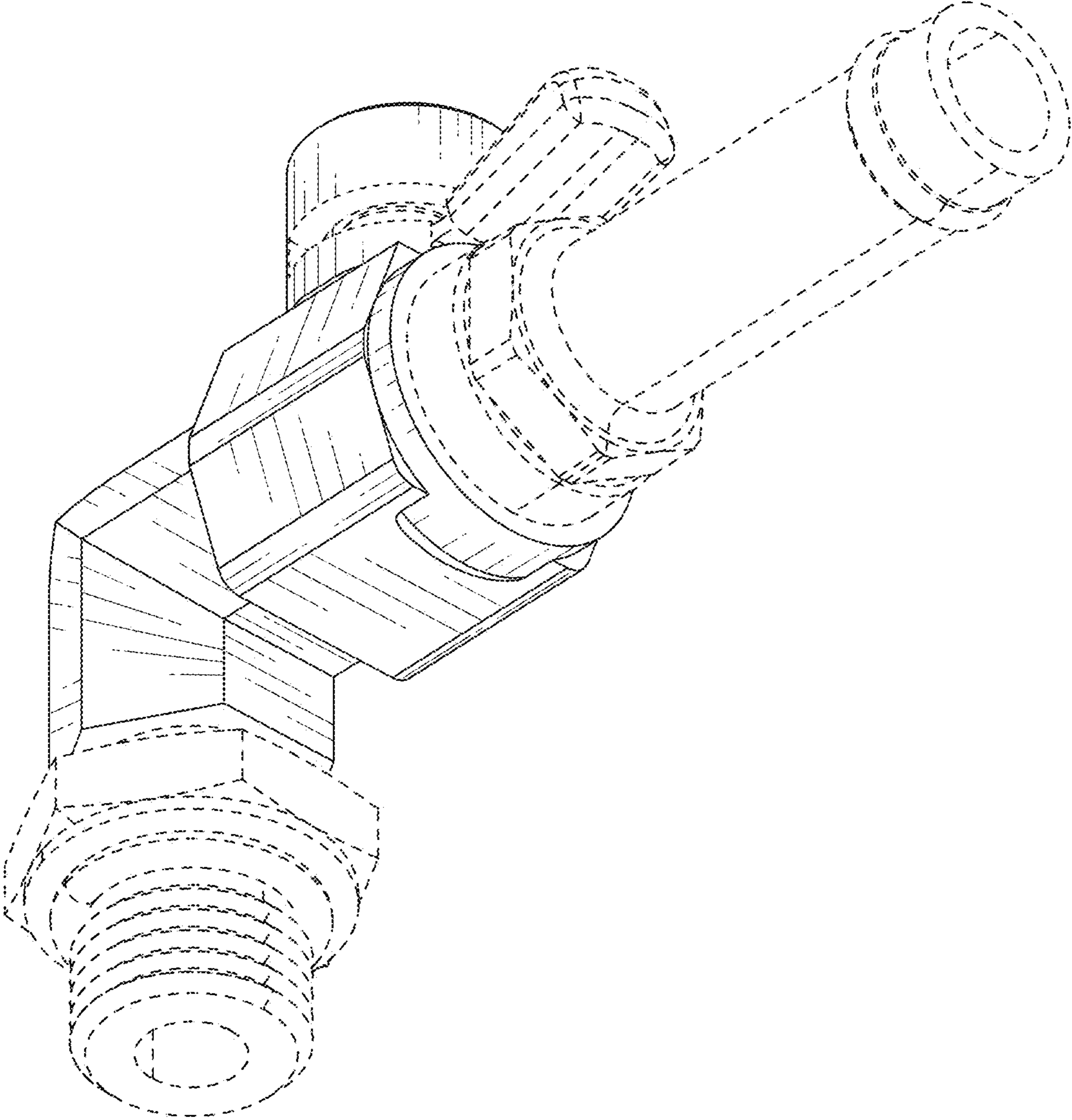


FIG. 2

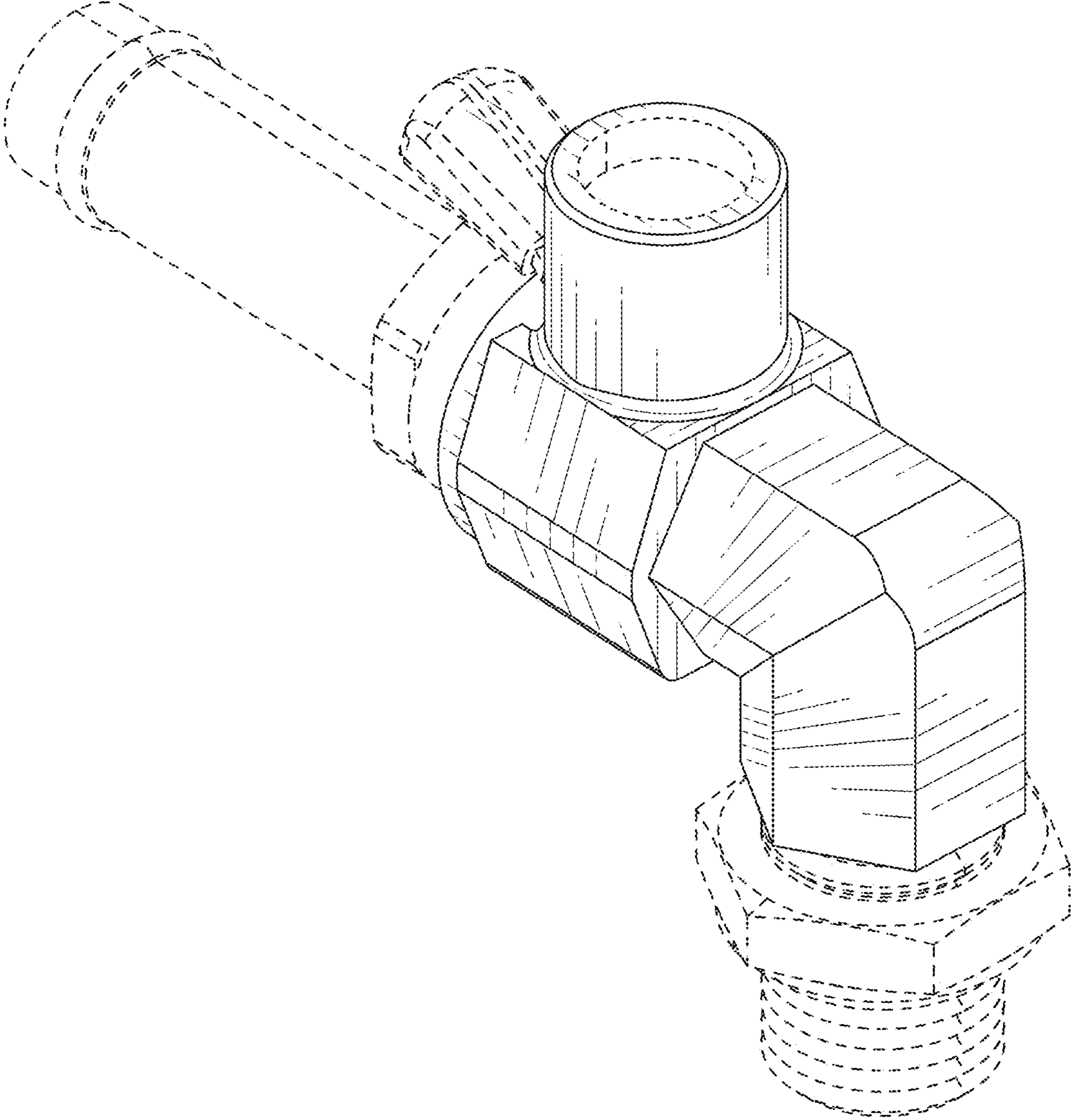


FIG. 3

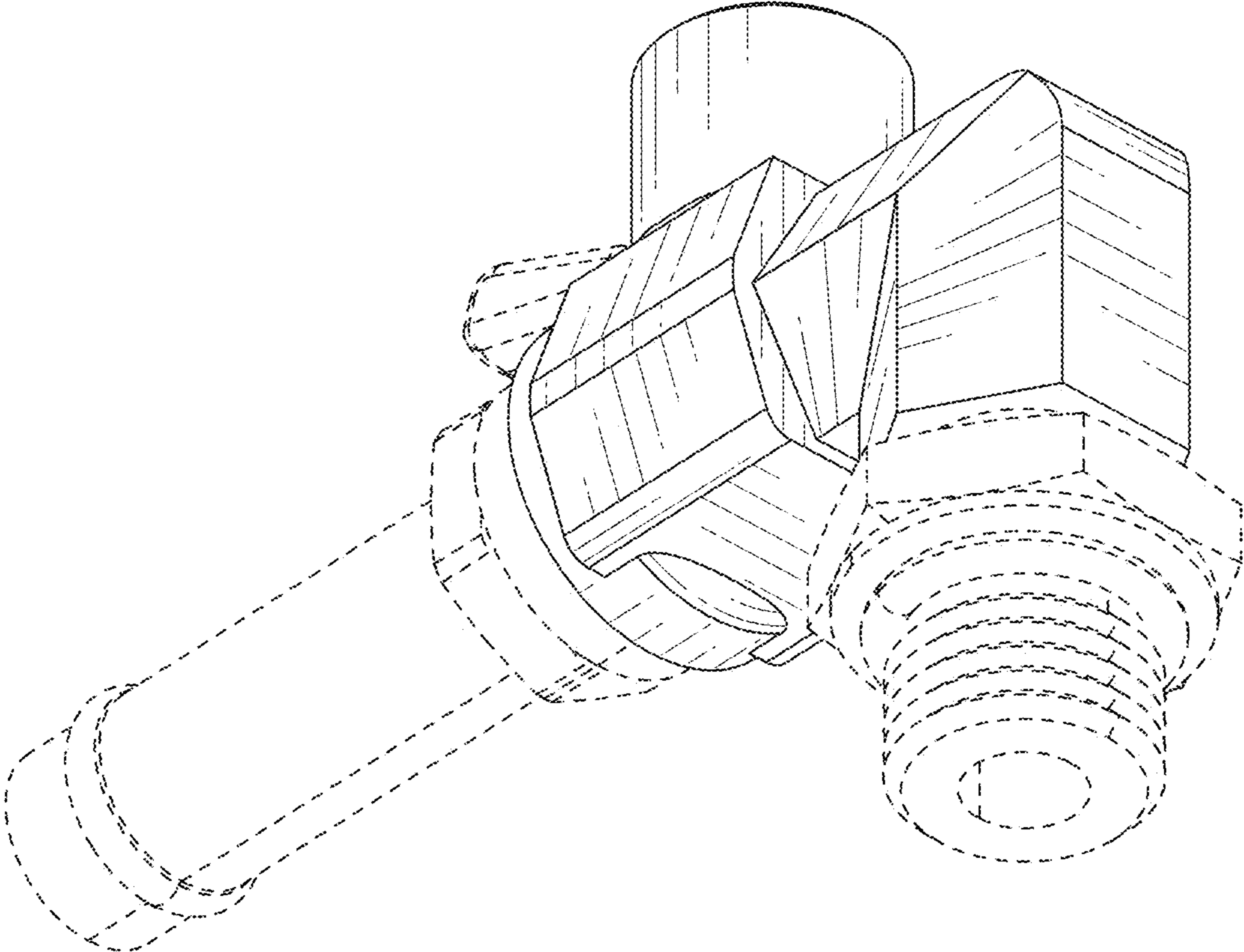


FIG. 4

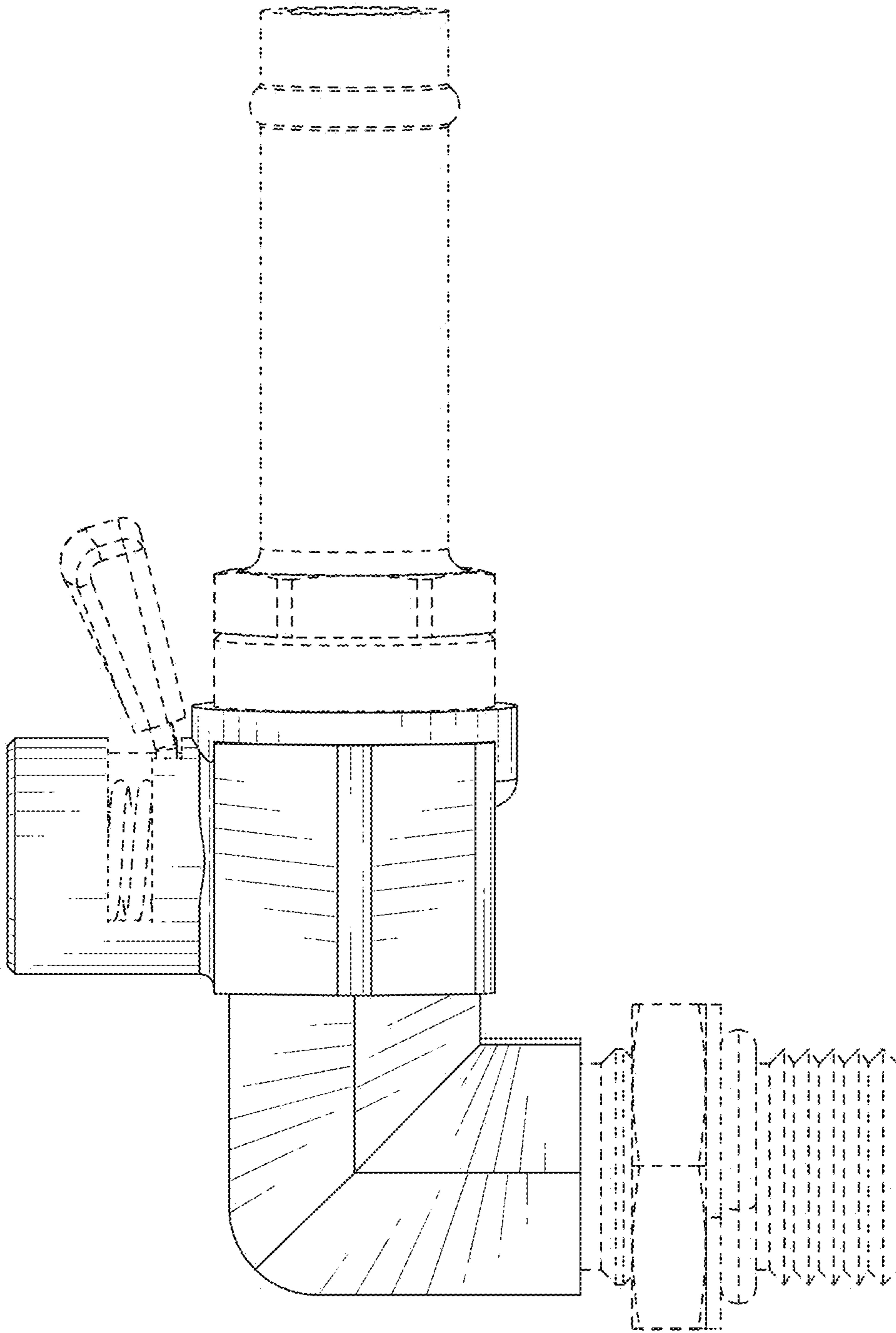


FIG. 5

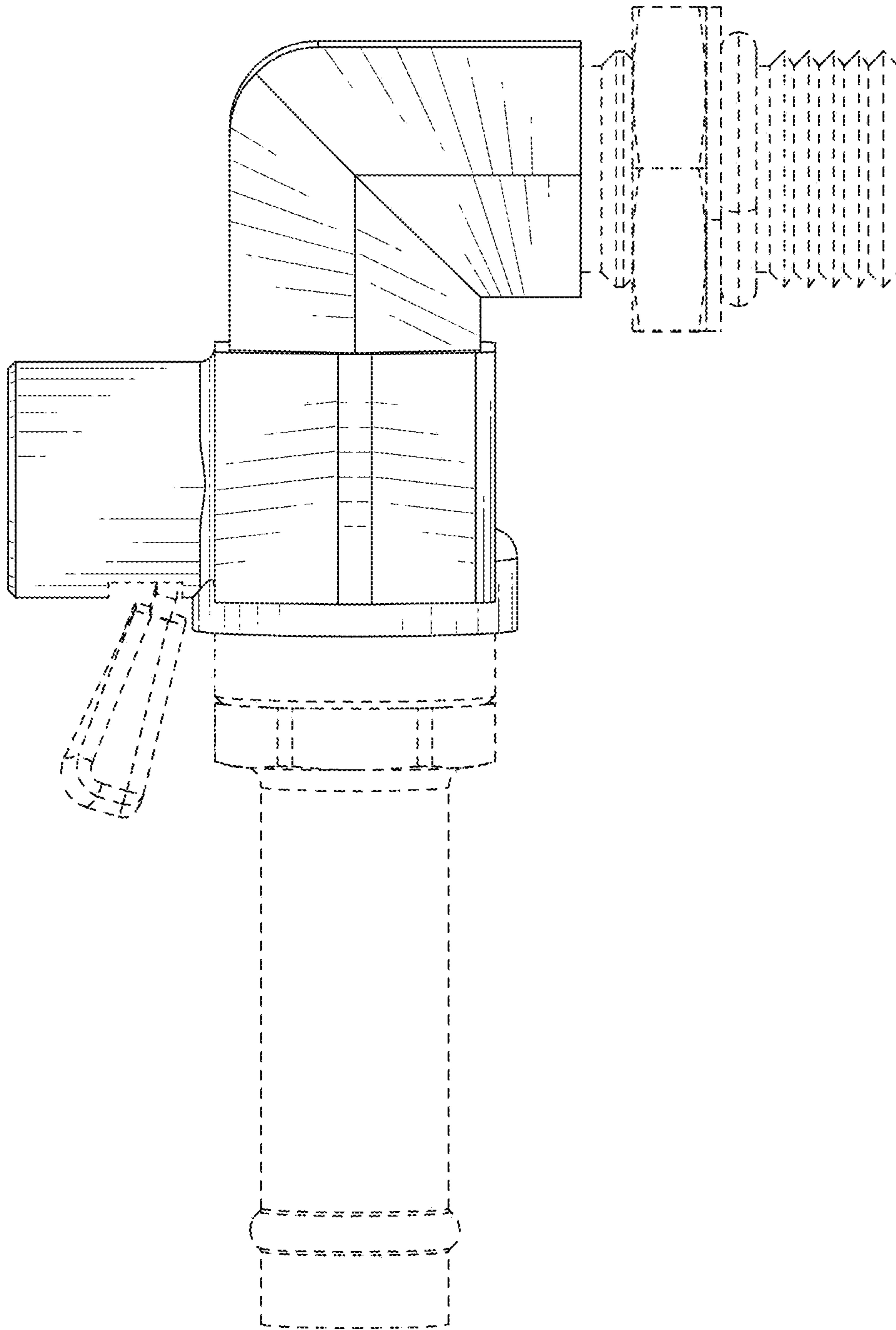


FIG. 6

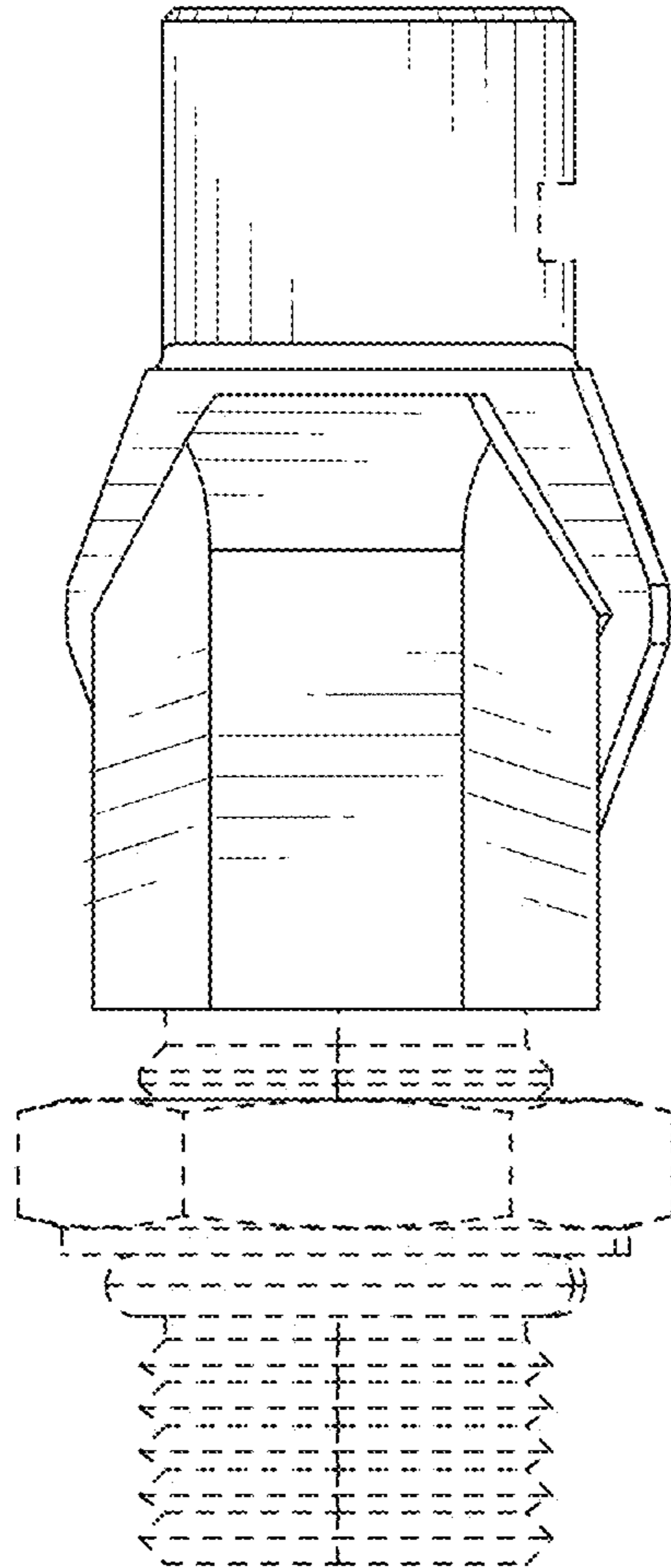


FIG. 7

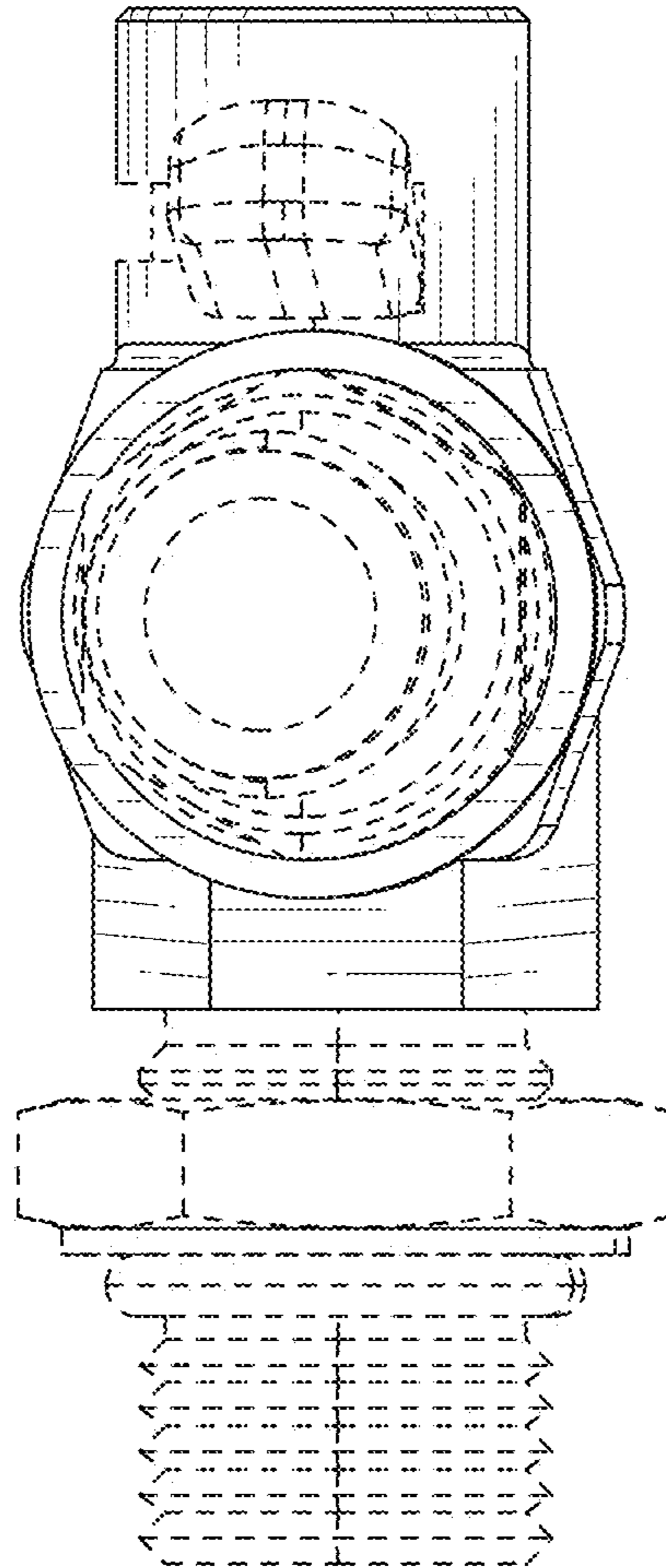


FIG. 8

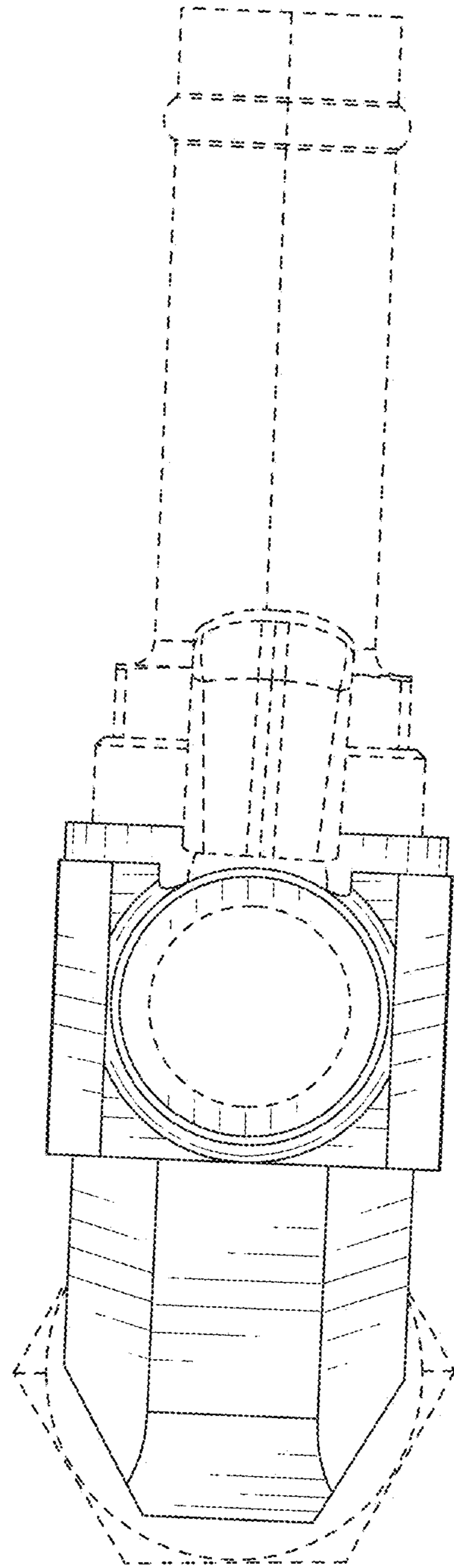


FIG. 9

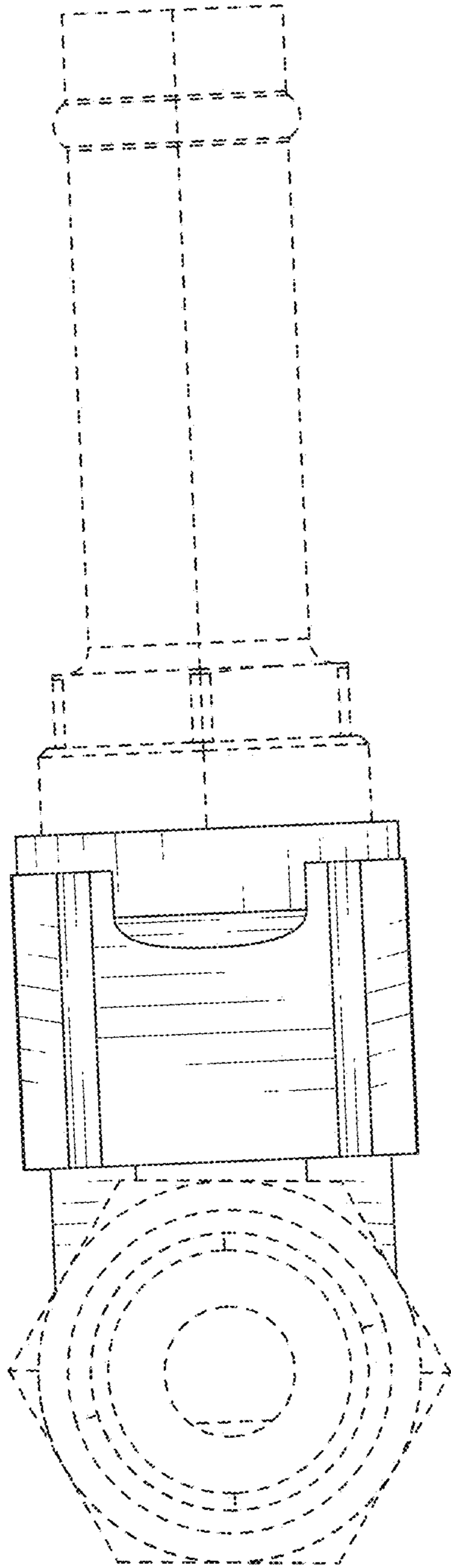


FIG. 10