



US00D907178S

(12) **United States Design Patent**
Stoler et al.

(10) **Patent No.:** **US D907,178 S**

(45) **Date of Patent:** **** Jan. 5, 2021**

(54) **FAUCET**

(71) Applicant: **DELTA FAUCET COMPANY,**
Indianapolis, IN (US)

(72) Inventors: **Benjamin David Stoler,** Carmel, IN
(US); **Thad Eads,** Urbana, IN (US);
Anthony Joseph Tentler, Windfall, IN
(US)

(73) Assignee: **DELTA FAUCET COMPANY,**
Indianapolis, IN (US)

(**) Term: **15 Years**

(21) Appl. No.: **29/686,572**

(22) Filed: **Apr. 5, 2019**

(51) **LOC (13) Cl.** **23-01**

(52) **U.S. Cl.**
USPC **D23/238**

(58) **Field of Classification Search**
USPC D23/238–243, 249–250, 252, 254–255,
D23/257; D8/307–308, 352
See application file for complete search history.

(56) **References Cited**

U.S. PATENT DOCUMENTS

D399,923 S * 10/1998 Ko D23/238
D486,563 S * 2/2004 Hsieh D23/238

D527,799 S * 9/2006 Schaffeld D23/249
D820,399 S * 6/2018 Garland D23/238
D855,158 S * 7/2019 Eads D23/238
D855,768 S * 8/2019 Eads D23/238
D857,167 S * 8/2019 Spangler D23/238
D860,403 S * 9/2019 Park D23/252
D860,404 S * 9/2019 Judge D23/252
D862,657 S * 10/2019 Bahler D23/252
D870,245 S * 12/2019 Stoler D23/252
D873,381 S * 1/2020 Eads D23/252
D875,892 S * 2/2020 Tentler D23/252

* cited by examiner

Primary Examiner — Robert A Delehanty

(74) *Attorney, Agent, or Firm* — Nirav D. Parikh; Edgar
A. Zarins

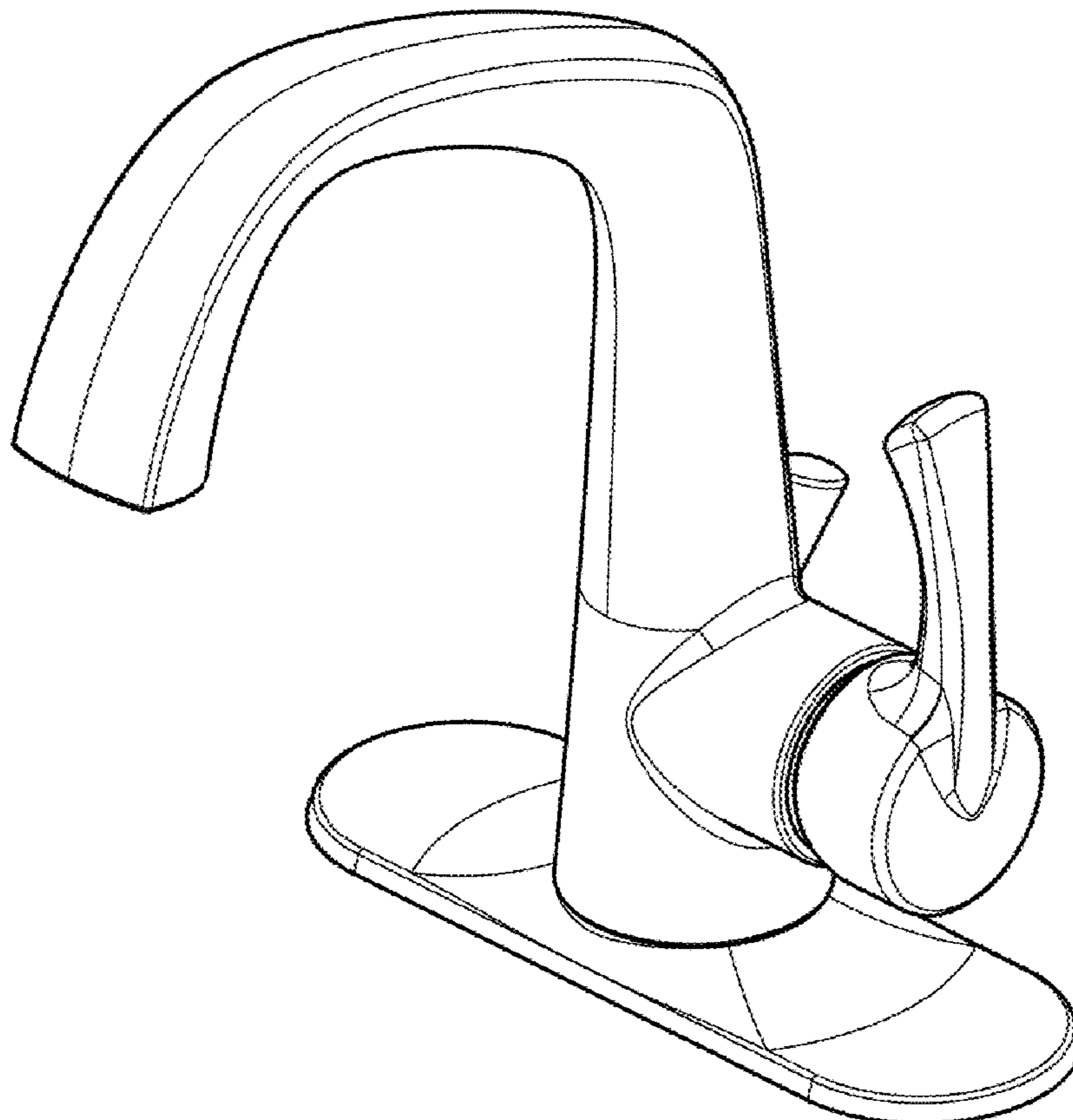
(57) **CLAIM**

The ornamental design for a faucet, as shown and described.

DESCRIPTION

FIG. 1 is a front perspective view of a faucet showing our
new design;
FIG. 2 is a rear perspective view thereof;
FIG. 3 is a front elevational view thereof;
FIG. 4 is a left side view thereof;
FIG. 5 is a rear view thereof;
FIG. 6 is a right side view thereof; and,
FIG. 7 is a top plan view thereof.

1 Claim, 4 Drawing Sheets



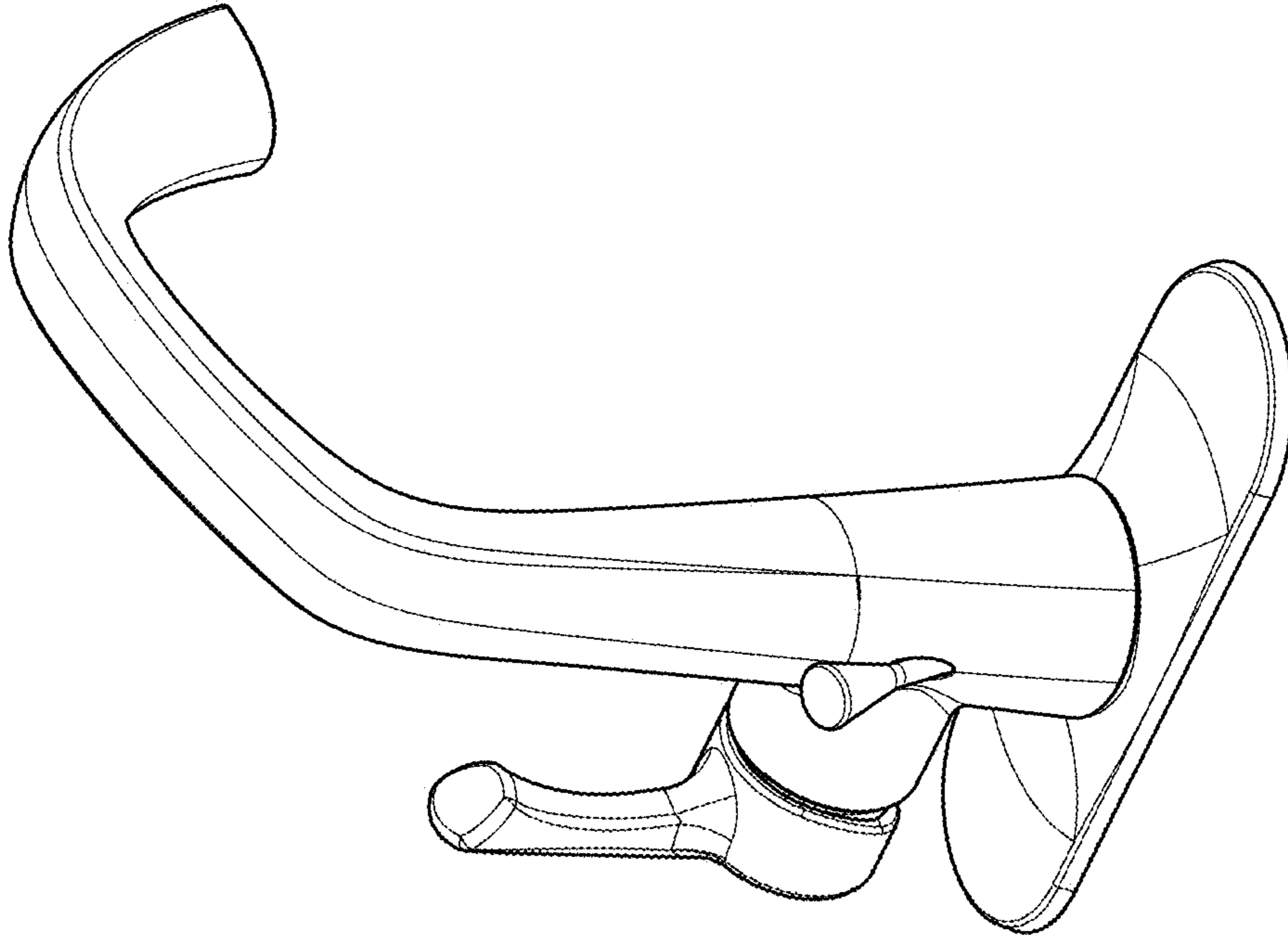


FIG - 2

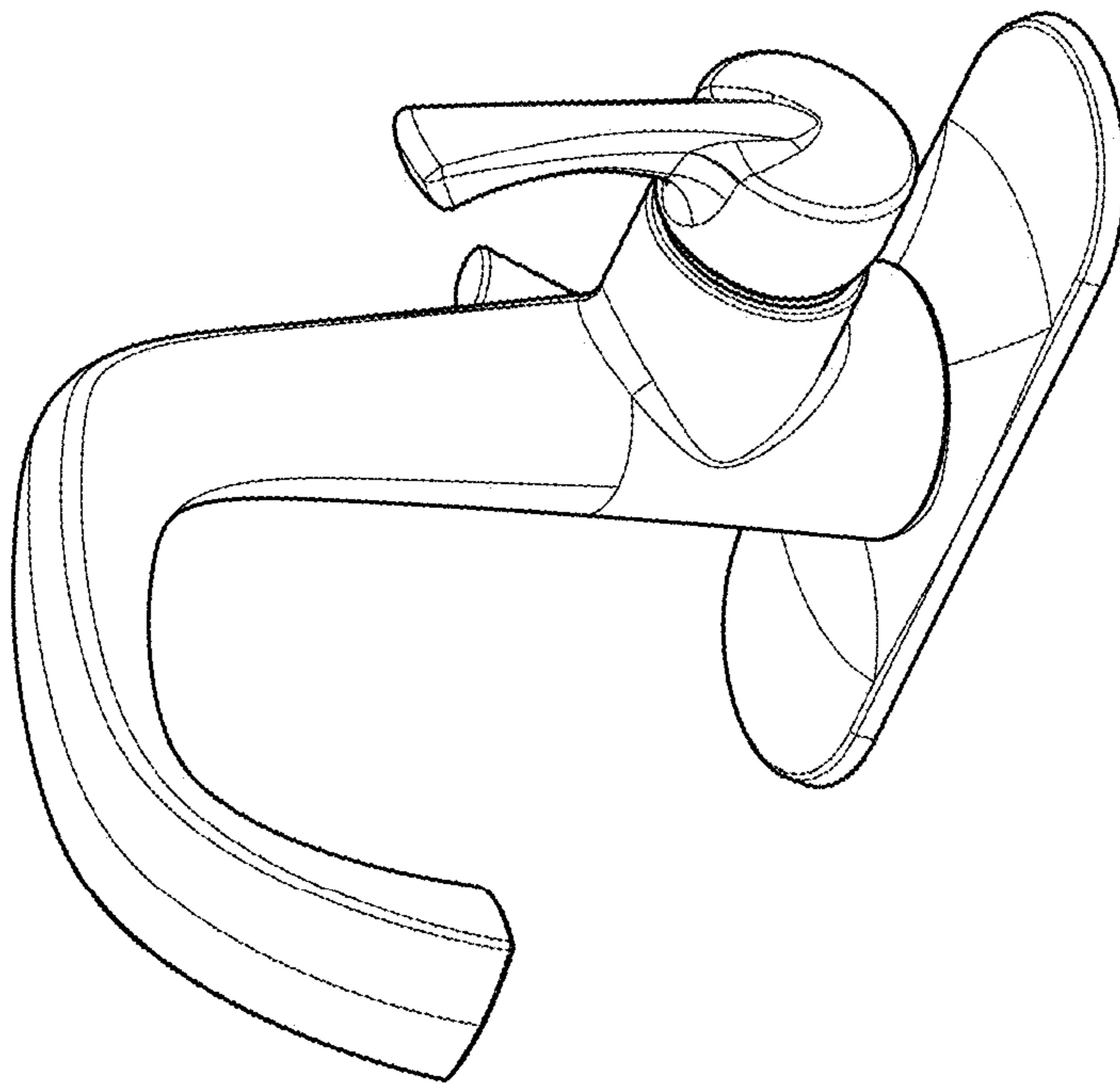


FIG - 1

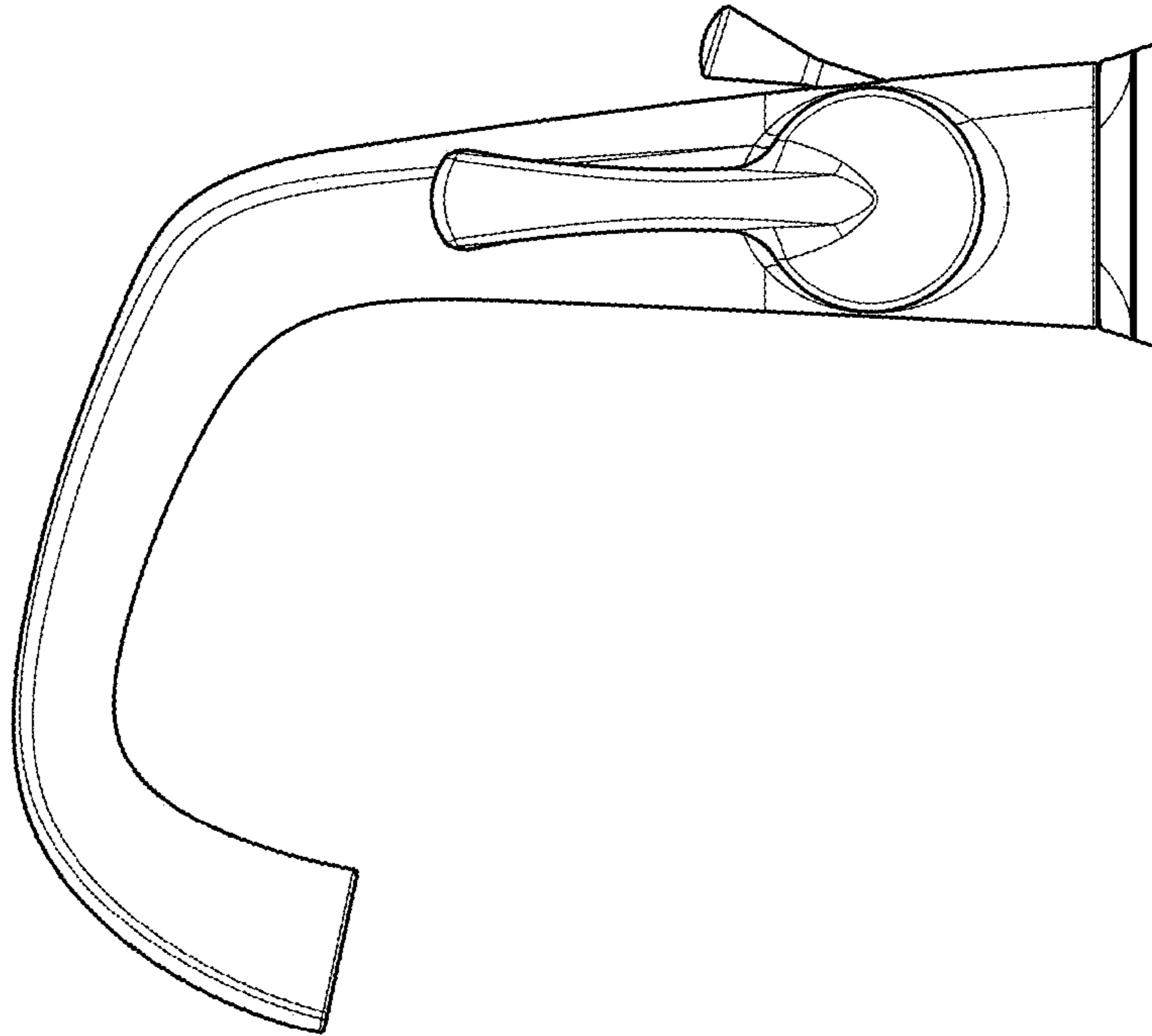


FIG - 4

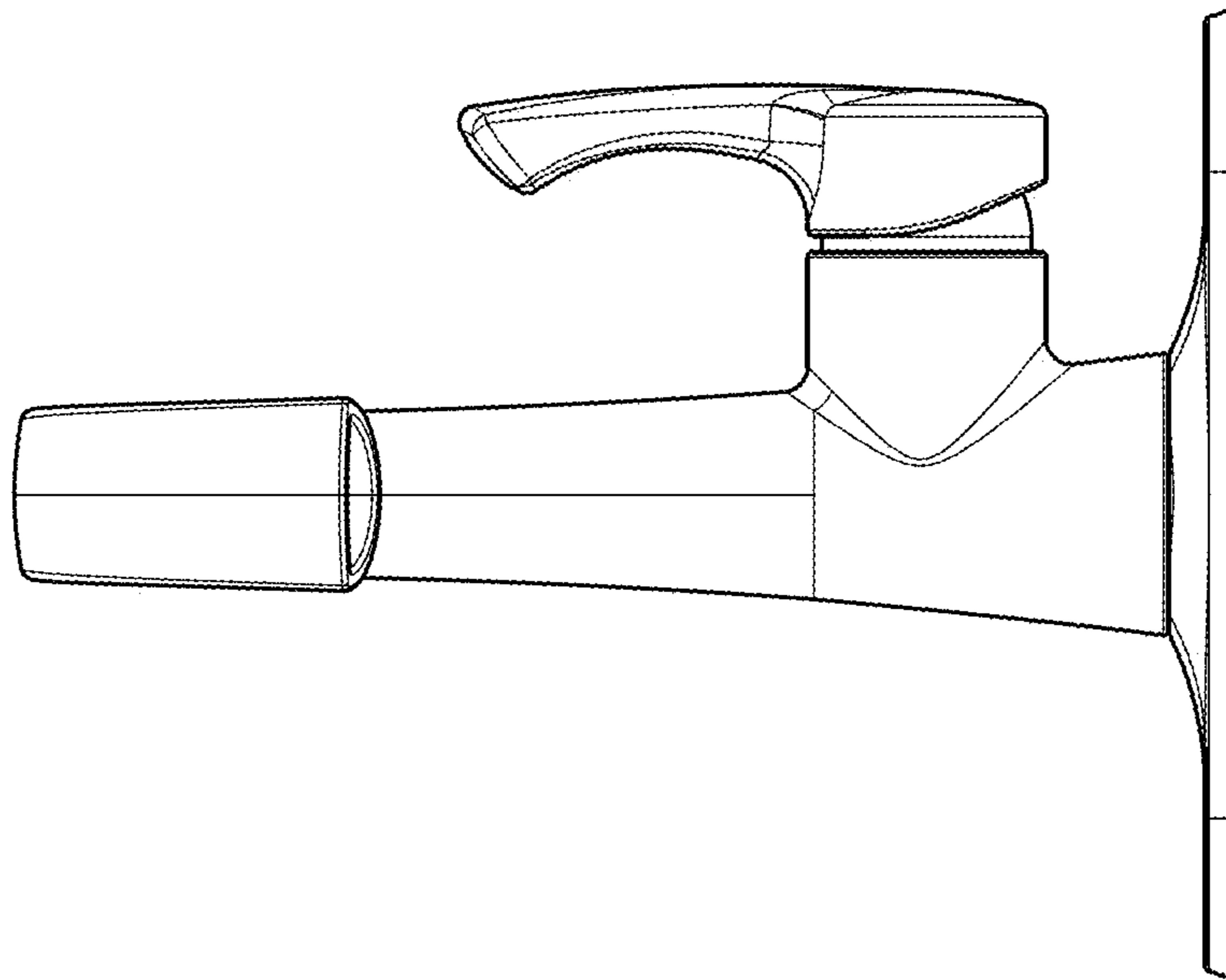


FIG - 3

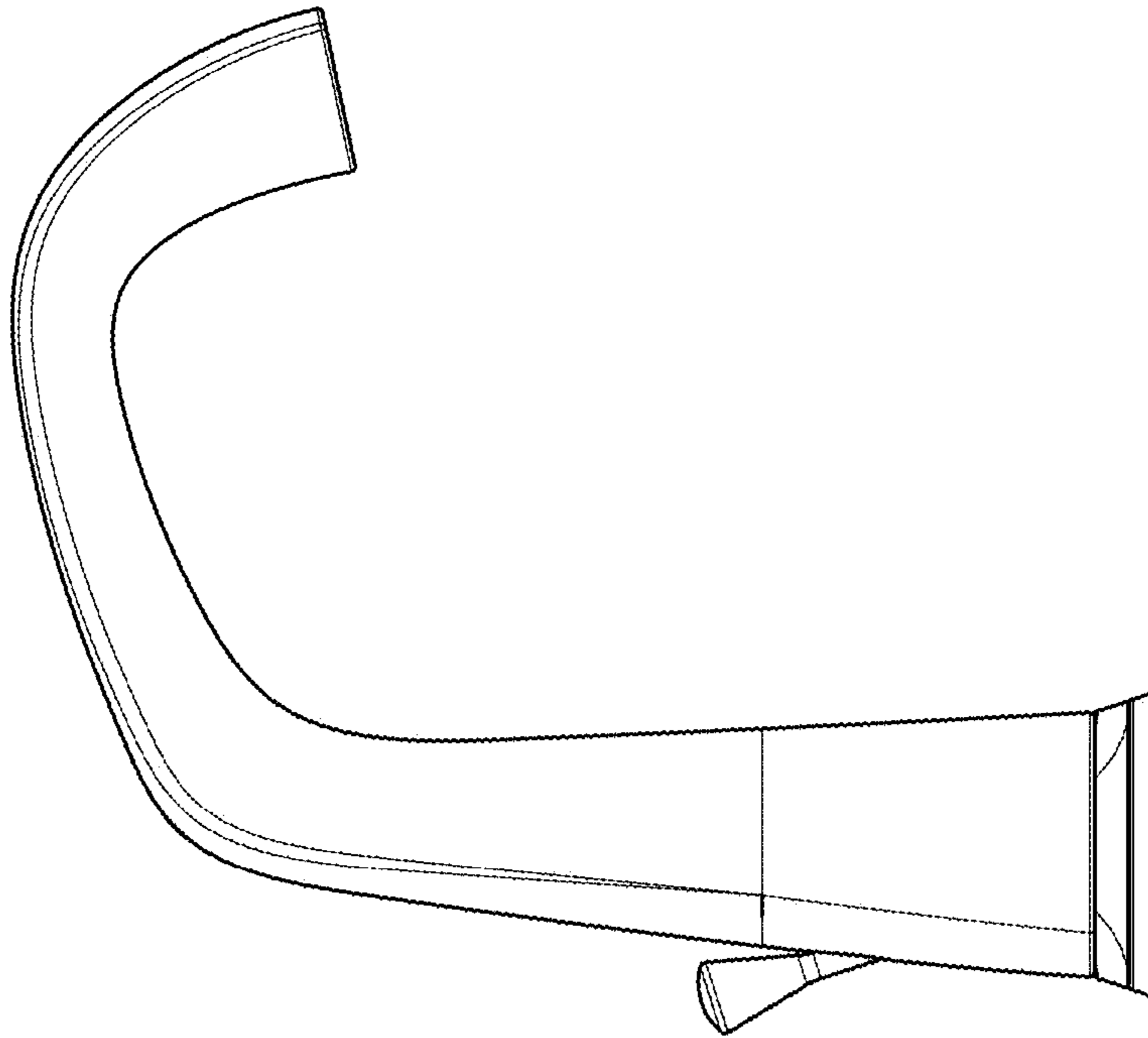


FIG - 6

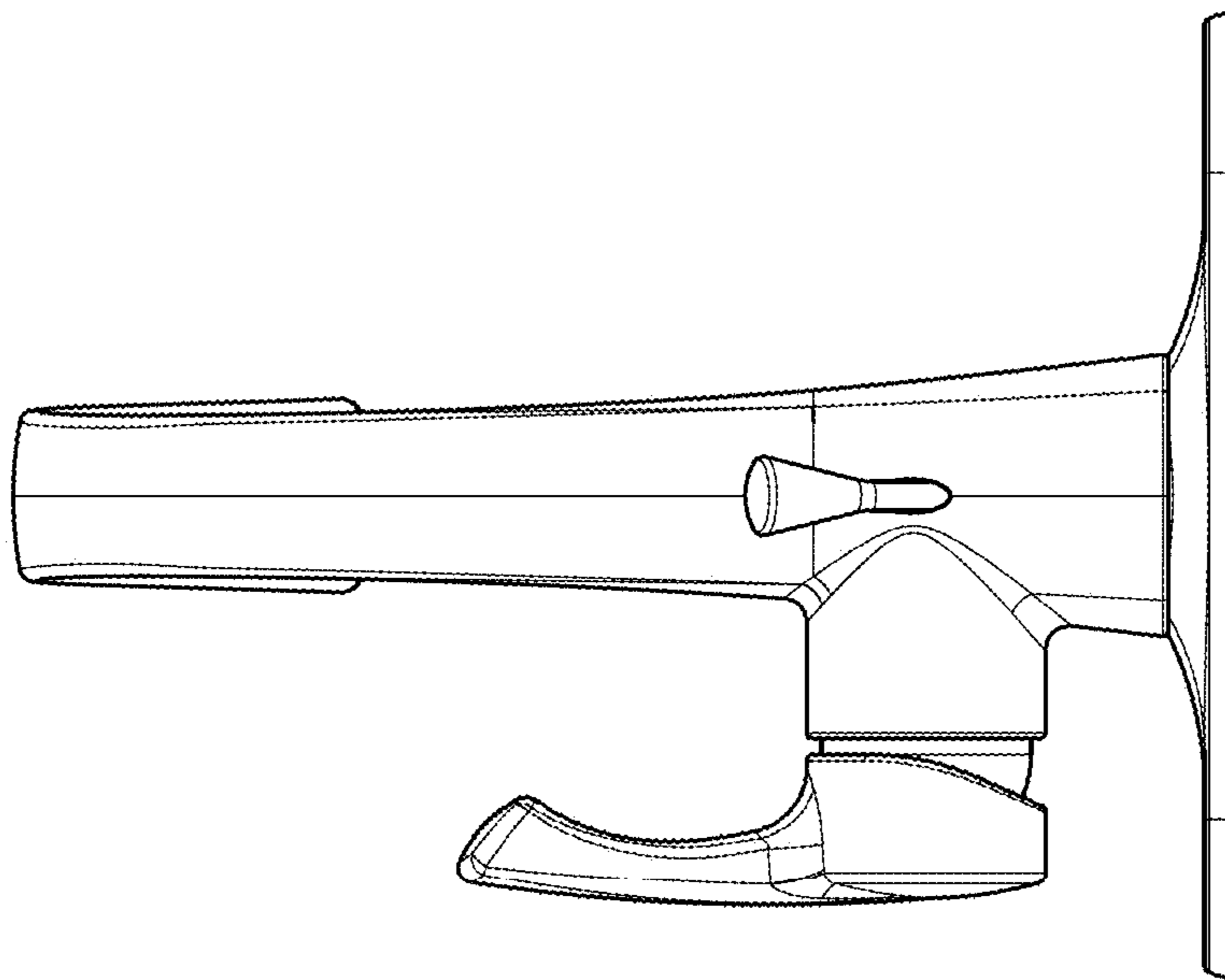


FIG - 5

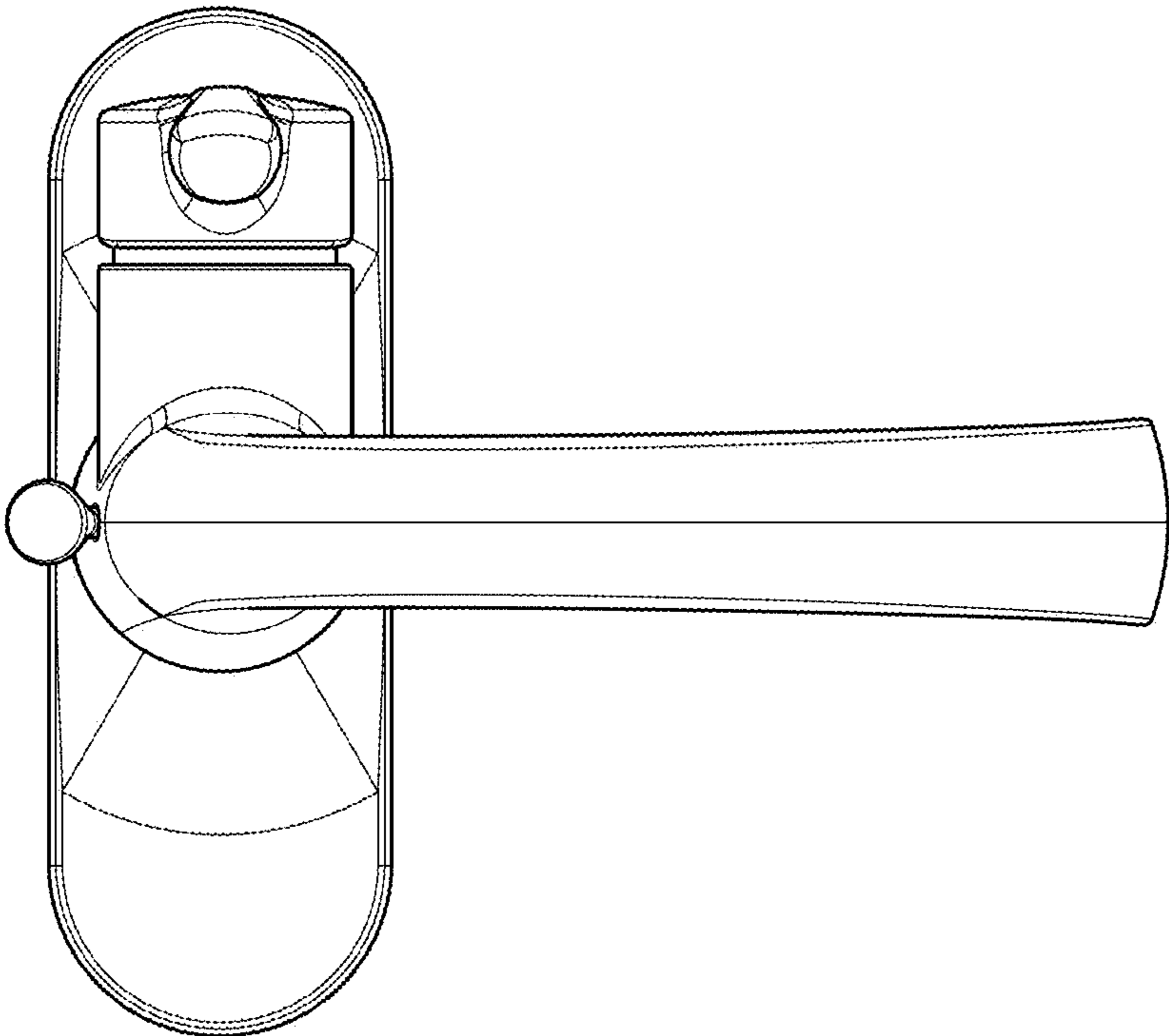


FIG - 7