



US00D907177S

(12) **United States Design Patent** (10) **Patent No.:** **US D907,177 S**
Maibach, Jr. (45) **Date of Patent:** **** Jan. 5, 2021**

(54) **90-DEGREE SWIVEL ADAPTER**

OTHER PUBLICATIONS

(71) Applicant: **Lab Society LLC**, Boulder, CO (US)

<https://labsociety.com/lab-equipment/distillation-receiver-adapter/> (Year: 2020).*

(72) Inventor: **Michael S. Maibach, Jr.**, Frederick, CO (US)

* cited by examiner

(73) Assignee: **Lab Society LLC**, Boulder, CO (US)

Primary Examiner — Manpreet S Matharu

Assistant Examiner — Keith J Wilson

(**) Term: **15 Years**

(74) *Attorney, Agent, or Firm* — Greenspoon Marder LLP; Justin F. McNaughton

(21) Appl. No.: **29/677,640**

(22) Filed: **Jan. 22, 2019**

(57) **CLAIM**

(51) **LOC (13) Cl.** **23-01**

The ornamental design for a 90-degree swivel adapter, as shown and described.

(52) **U.S. Cl.**

USPC **D23/213**

(58) **Field of Classification Search**

USPC D23/207, 213, 214, 215, 223, 224, 226, D23/229, 230

CPC A61H 9/0021; A61H 33/00; B05B 1/00; B05B 1/14; B05B 1/185; B05B 1/08; B05B 1/02; B05B 1/26; B05B 12/002; B05B 1/18; B05B 9/01

See application file for complete search history.

DESCRIPTION

FIG. 1 is a front elevational view of a 90-degree swivel adapter of the current disclosure.

FIG. 2 is rear elevational view of a 90-degree swivel adapter of the current disclosure.

FIG. 3 is right side elevational view of a 90-degree swivel adapter of the current disclosure.

FIG. 4 is a left side elevational view of a 90-degree swivel adapter of the current disclosure.

FIG. 5 is a top plan view of a 90-degree swivel adapter of the current disclosure.

FIG. 6 is a bottom plan view of a 90-degree swivel adapter of the current disclosure; and,

FIG. 7 is a front cutaway view of a 90-degree swivel adapter of the current disclosure. A rear cutaway view (not shown) of 90-degree swivel adapter of the current disclosure, would appear exactly reversed to the front cutaway view.

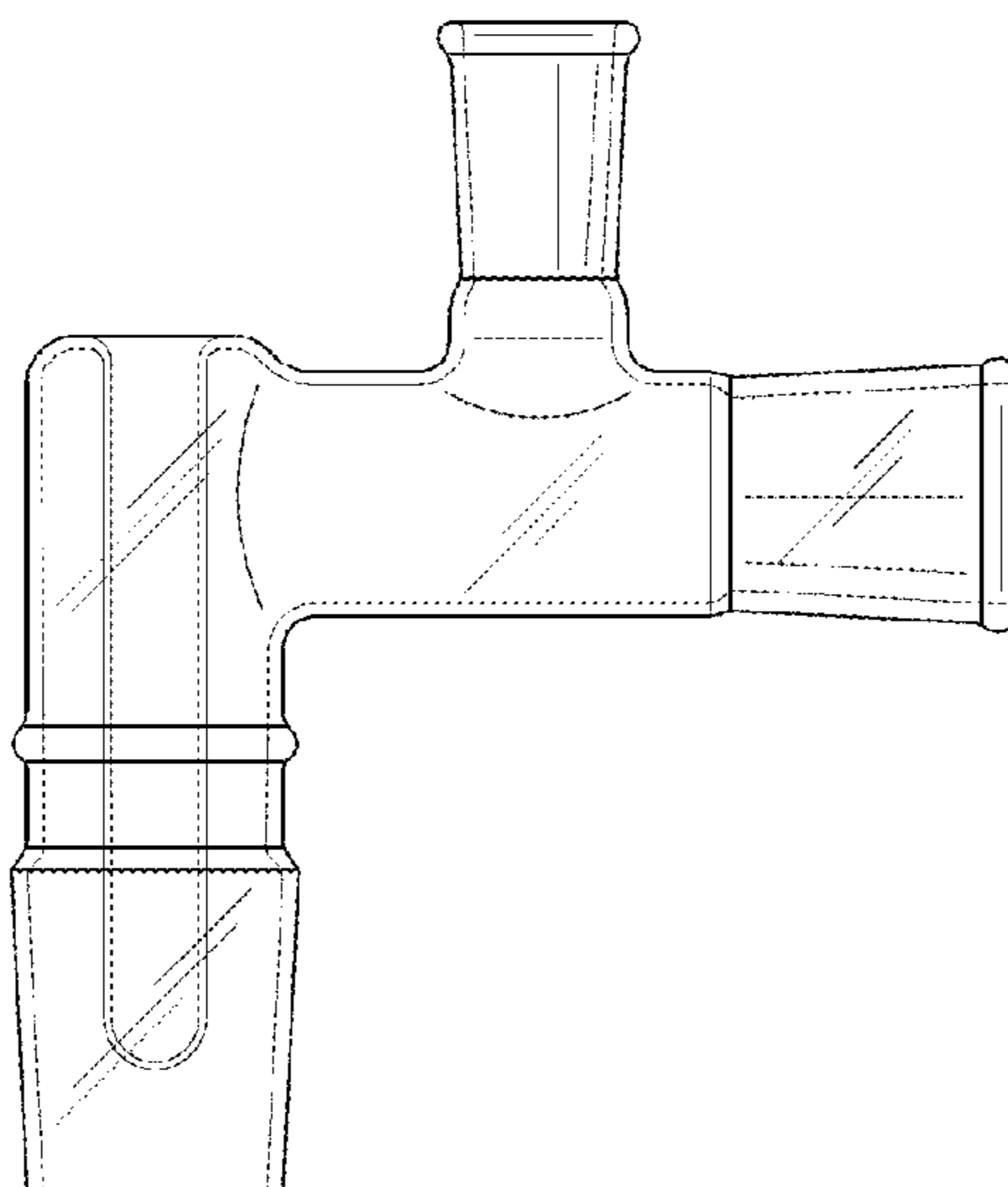
The broken lines shown in the figures represent portions of the 90-degree swivel adapter that form no part of the claimed design.

(56) **References Cited**

U.S. PATENT DOCUMENTS

D314,513 S *	2/1991	Hardin	D23/229
D445,872 S *	7/2001	Ketcham	D23/225
D468,801 S *	1/2003	Hubmann	D23/225
D509,560 S *	9/2005	Hubmann	D23/213
D529,575 S *	10/2006	Birrenkott	D23/223
D537,915 S *	3/2007	Hubmann	D23/213
D695,114 S *	12/2013	McDonald	D9/440
D701,764 S *	4/2014	Brower	D9/440
D747,200 S *	1/2016	Chiorazzi	D9/440
D774,163 S *	12/2016	Solakian	D23/213
D821,541 S *	6/2018	McDonnell	D23/213
D830,122 S *	10/2018	Seiders	D7/398
D852,928 S *	7/2019	Maibach, Jr.	D23/207
D859,584 S *	9/2019	Ramsuer	D23/213
D862,640 S *	10/2019	Maibach, Jr.	D23/207

1 Claim, 4 Drawing Sheets



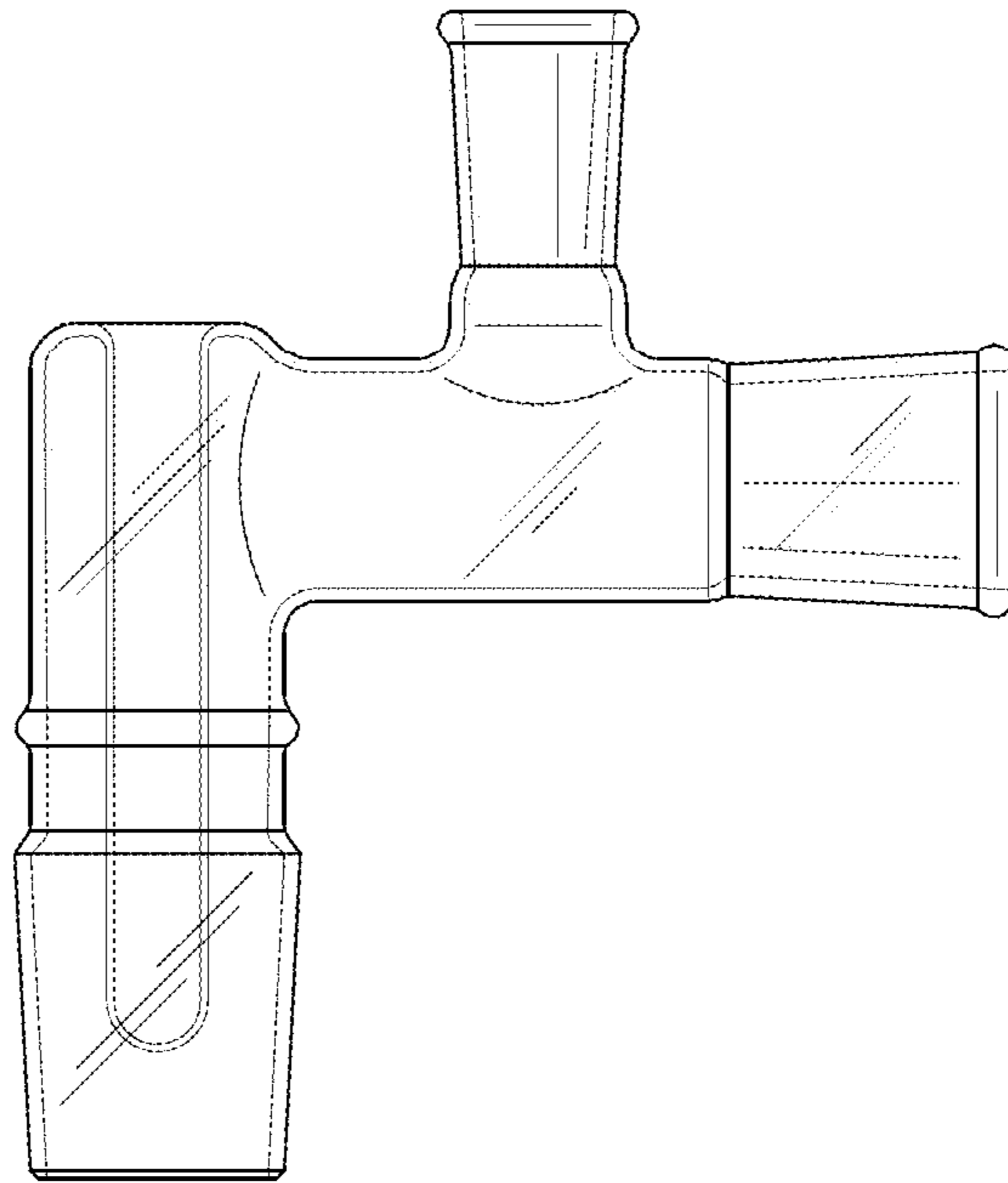


FIG. 1

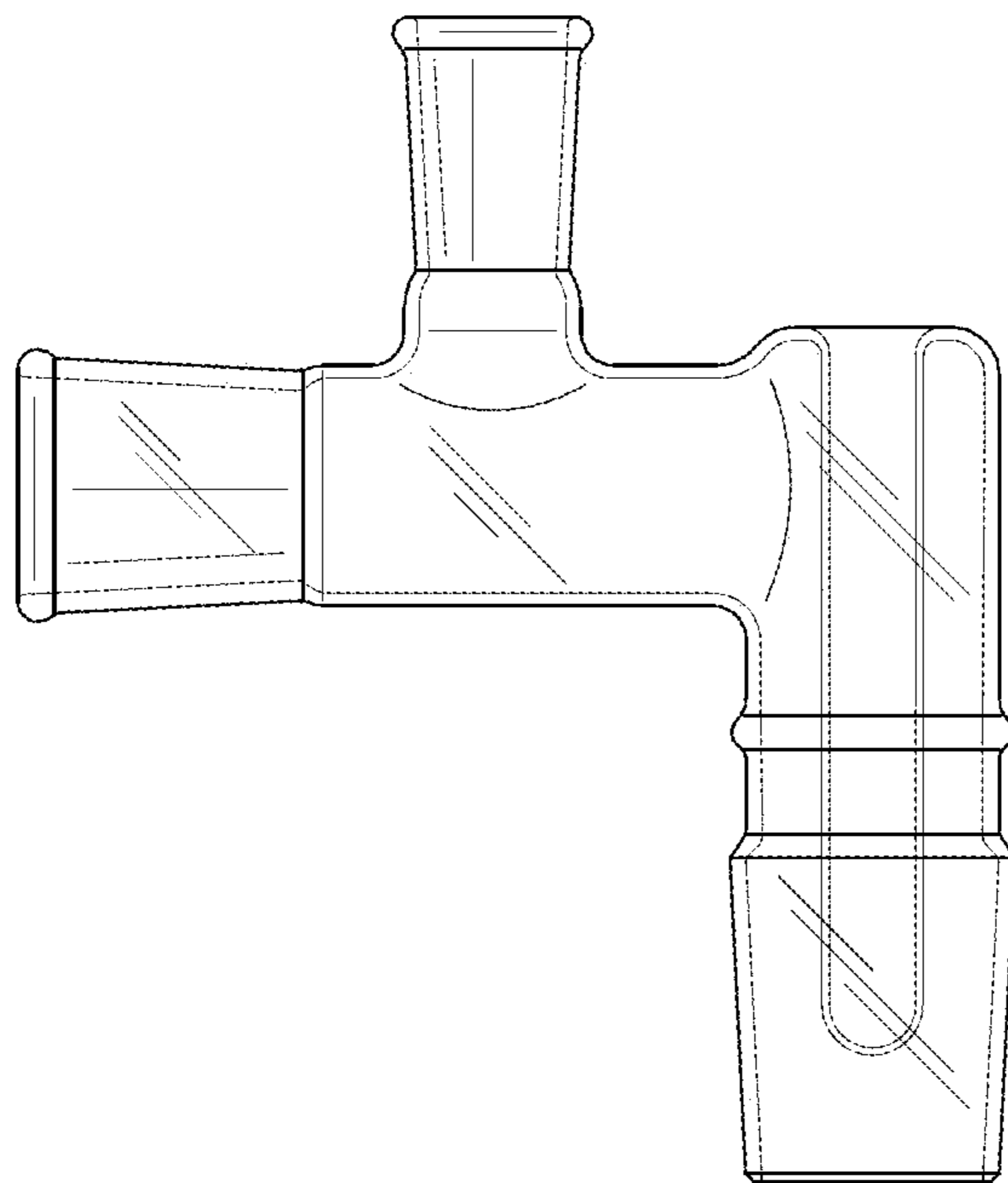


FIG. 2

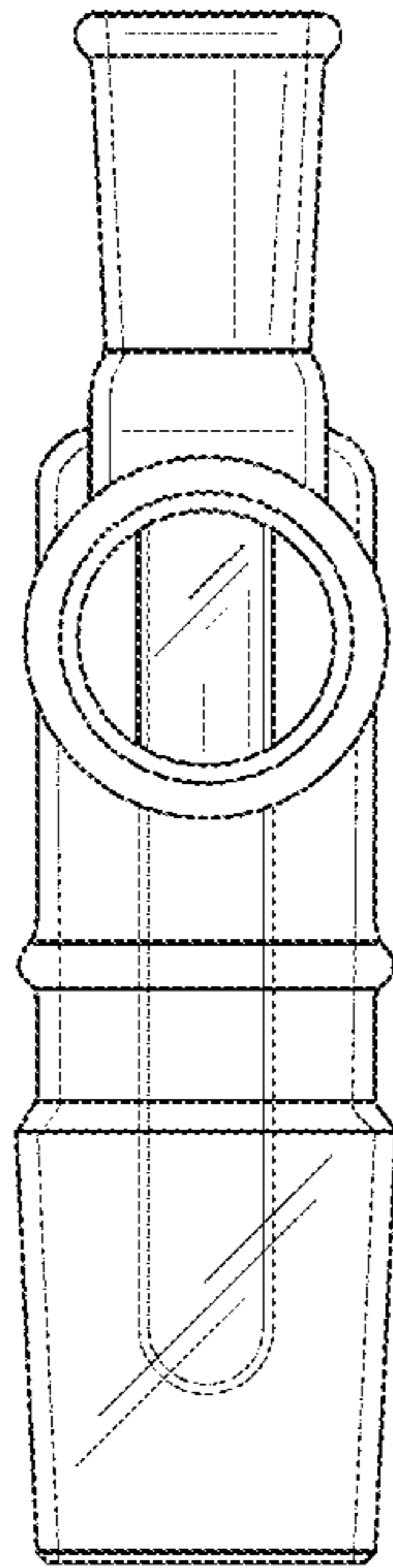


FIG. 3

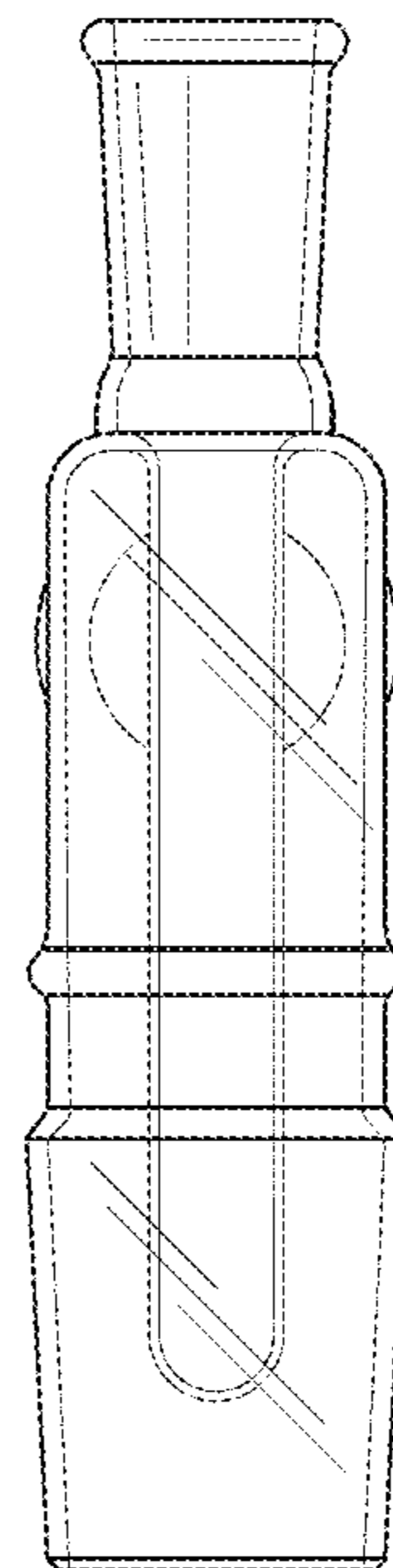


FIG. 4

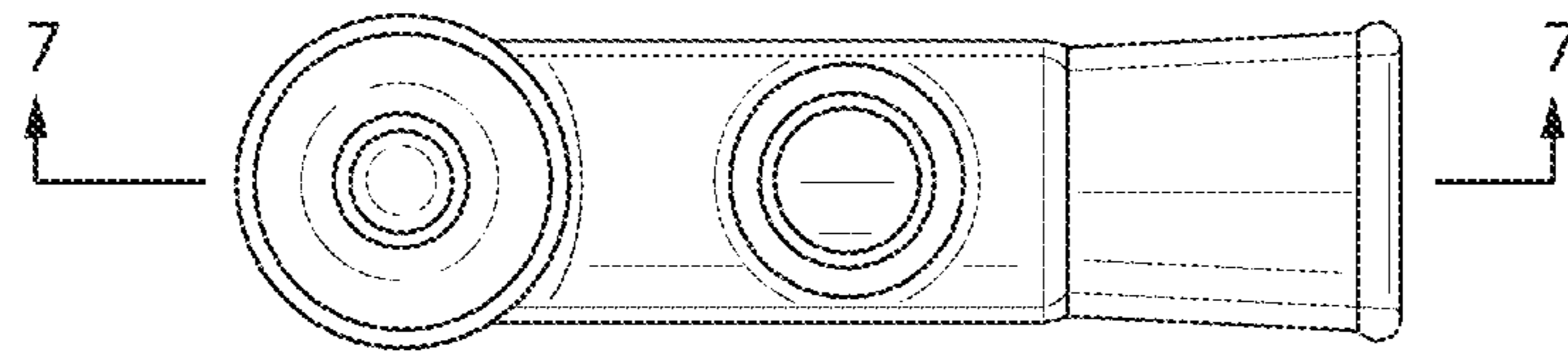


FIG. 5

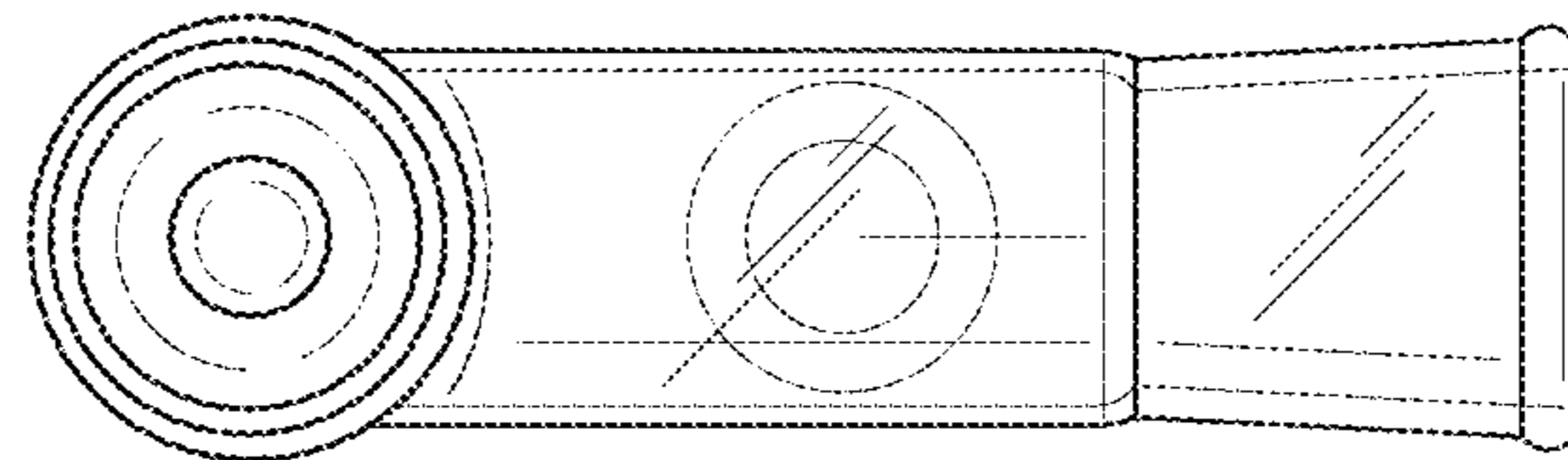


FIG. 6

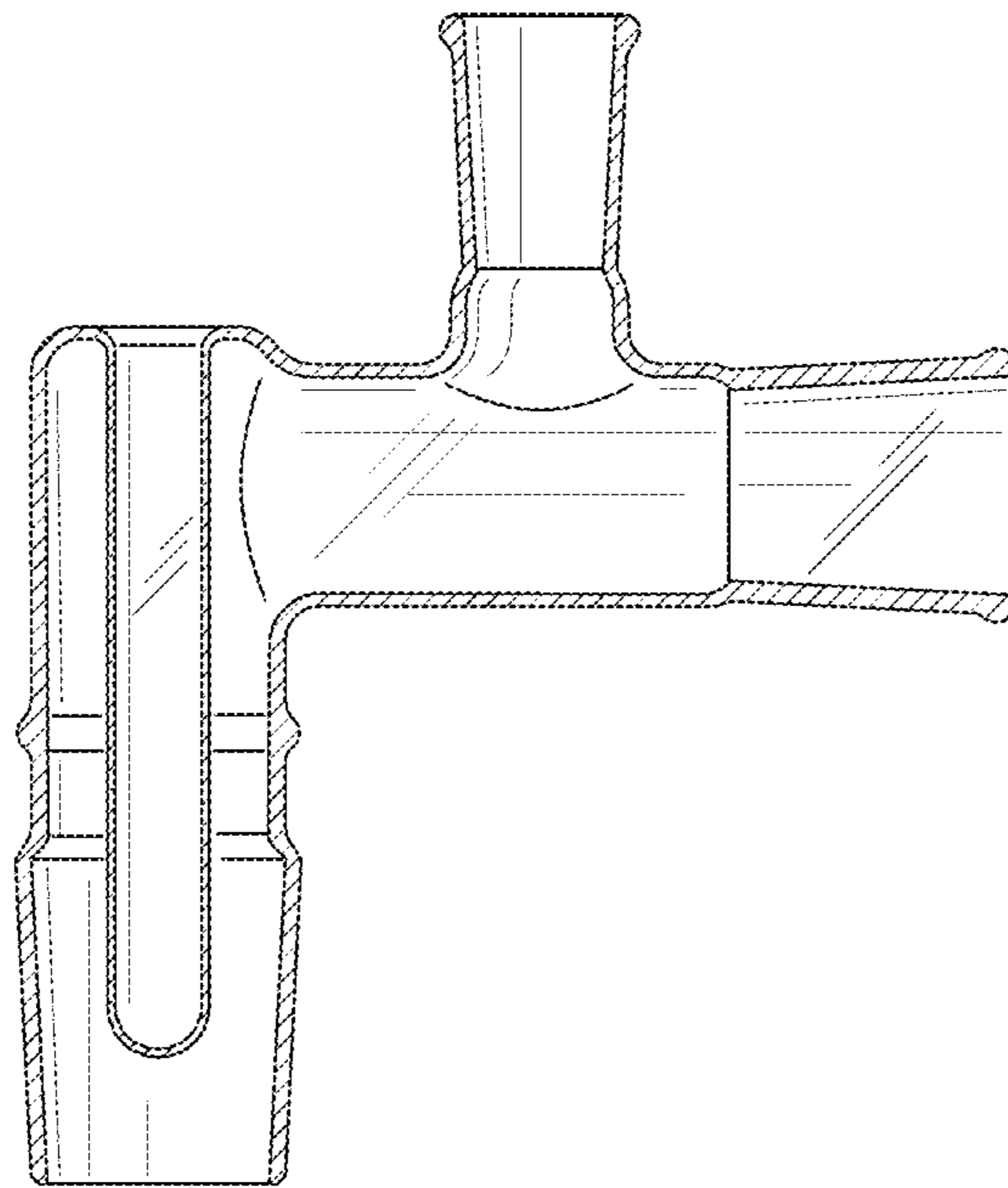


FIG. 7