



US00D907176S

(12) **United States Design Patent**
Qiang

(10) **Patent No.:** **US D907,176 S**

(45) **Date of Patent:** **** Jan. 5, 2021**

(54) **WATER FILTER CARTRIDGE**

FOREIGN PATENT DOCUMENTS

(71) Applicant: **Ningbo Pureza Technology, LLC,**
Ningbo (CN)

KR 300819596 S 10/2015

(72) Inventor: **Lu Qiang,** Zhejiang (CN)

OTHER PUBLICATIONS

(73) Assignee: **Ningbo Pureza Technology, LLC**

Youtube.com, Replace and Install the XWF Water Filter, Aug. 15, 2018, GE instructional video retrieved Dec. 27, 2019 from <URL:https://youtu.be/DgvfdqacpPs> (Year: 2018).*

(**) Term: **15 Years**

(21) Appl. No.: **29/670,844**

Primary Examiner — Sheryl Lane

Assistant Examiner — Calvin E Vansant

(22) Filed: **Nov. 20, 2018**

(74) *Attorney, Agent, or Firm* — Fish IP Law, LLP

(51) **LOC (13) Cl.** **23-01**

(52) **U.S. Cl.**
USPC **D23/209**

(58) **Field of Classification Search**
USPC D23/202, 205, 207, 259, 260, 262
CPC B01D 2201/29; B01D 2201/30; B01D
2201/301; B01D 2201/302; B01D
2201/306; B01D 2201/309; B01D 35/30;
C02F 1/002; C02F 1/003

See application file for complete search history.

(57) **CLAIM**

The ornamental design of a water filter cartridge, as shown and described.

DESCRIPTION

FIG. 1 is a top, front, right side perspective view of an embodiment of a water filter cartridge showing my new design;

FIG. 2 is a front elevation view thereof;

FIG. 3 is a back elevation view thereof;

FIG. 4 is a right side elevation view thereof;

FIG. 5 is a left side elevation view thereof;

FIG. 6 is a top, back, left side perspective view thereof;

FIG. 7 is a top, back, right side perspective view thereof;

FIG. 8 is a top, front, left side perspective view thereof;

FIG. 9 is a bottom, back, left side perspective view thereof;

FIG. 10 is a bottom, back, right side perspective view thereof;

FIG. 11 is a bottom, front, left side perspective view thereof;

and,
FIG. 12 is a bottom, front, right side perspective view thereof.

The broken line showing of various features of the water filter cartridge form no part of the claimed design.

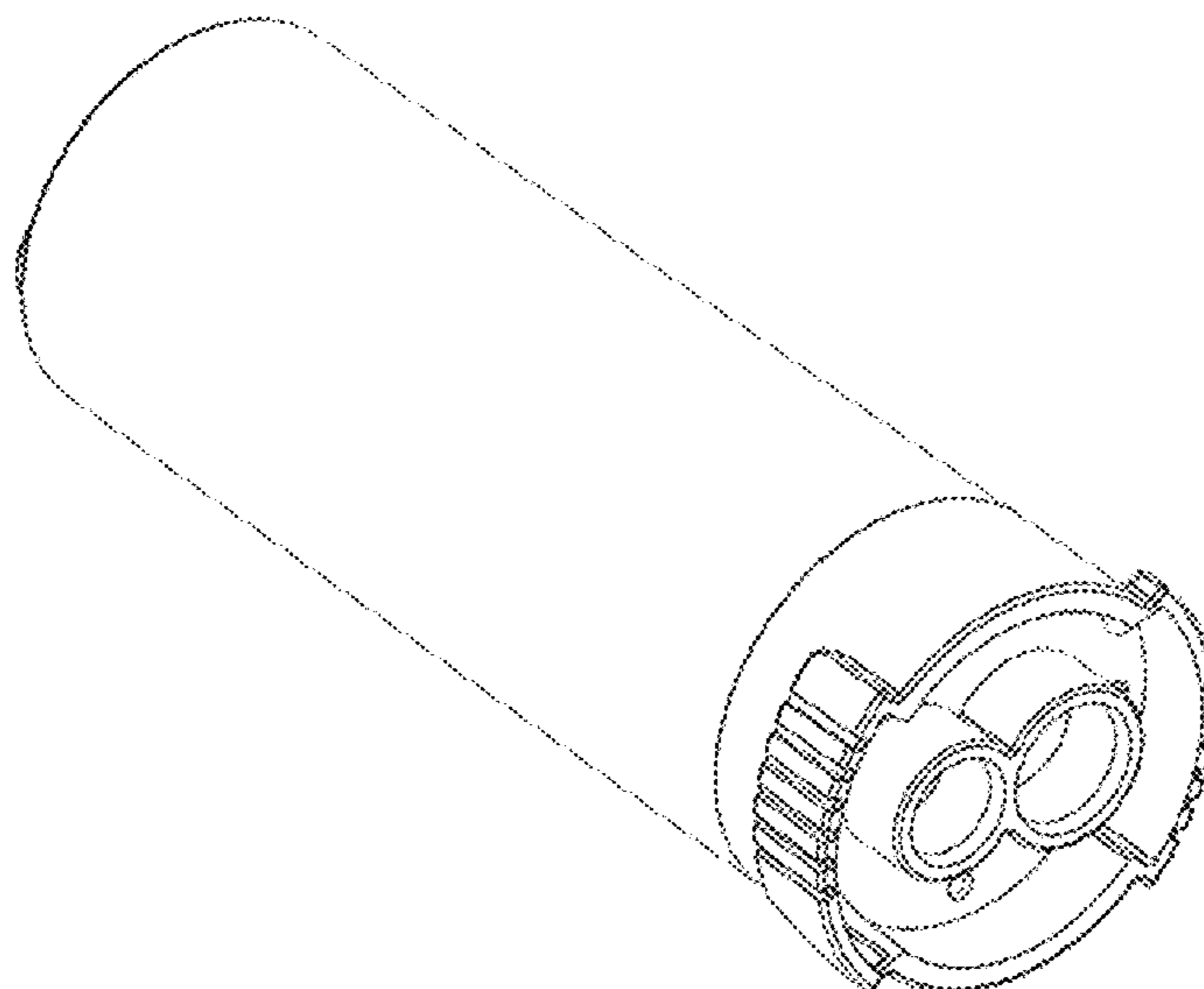
(56) **References Cited**

U.S. PATENT DOCUMENTS

2,165,163	A	7/1939	Waters	
2,170,010	A	8/1939	Conner	
D172,354	S	6/1954	Line	
2,991,885	A *	7/1961	Gutkowski B01D 35/153 210/133
4,615,812	A	10/1986	Darling	
4,871,455	A	10/1989	Terhune	
D306,199	S	2/1990	Meissner	
5,035,798	A	7/1991	Stenger	
D365,632	S	12/1995	Blasdell et al.	
5,486,288	A	1/1996	Stanford	
D399,008	S	9/1998	Thomas	
6,120,685	A	9/2000	Carlson	
D460,146	S *	7/2002	Setser B01D 35/147 D23/209
D472,299	S	2/2003	Fritze	

(Continued)

1 Claim, 9 Drawing Sheets



(56)

References Cited

U.S. PATENT DOCUMENTS

D476,718 S 7/2003 Ferrer Beltran
 7,000,782 B2 2/2006 Walton
 D541,371 S 4/2007 McKay
 D546,412 S 7/2007 Kennedy et al.
 D547,821 S 7/2007 Kennedy et al.
 D547,822 S 7/2007 Kennedy et al.
 D547,823 S 7/2007 Kennedy et al.
 D554,734 S 11/2007 Yamamoto
 8,177,976 B2 5/2012 Formica
 8,354,024 B2 1/2013 Ihle
 8,398,853 B2 * 3/2013 An B01D 35/147
 137/594
 D679,779 S 4/2013 Reid
 8,916,044 B2 12/2014 Rapin
 D722,362 S 2/2015 Kluss et al.
 9,005,435 B2 4/2015 Takeda
 9,067,154 B1 6/2015 Branscomb
 D738,460 S 9/2015 Cook
 D748,226 S 1/2016 Aoki et al.
 D750,739 S 3/2016 Baird
 D753,788 S 4/2016 Huda et al.

D760,868 S 7/2016 Lu
 D761,382 S 7/2016 Curtis et al.
 D761,383 S 7/2016 Curtis et al.
 D762,812 S 8/2016 Branscomb et al.
 D764,021 S 8/2016 Lu
 D764,626 S 8/2016 Lu
 D765,220 S 8/2016 Boudreau et al.
 D768,813 S 10/2016 Dong et al.
 D768,814 S 10/2016 Dong et al.
 D773,607 S 12/2016 Lu
 D775,712 S 1/2017 Kim et al.
 D776,237 S 1/2017 Dong et al.
 D780,887 S 3/2017 Huda et al.
 D788,880 S 6/2017 Zou
 D807,988 S 1/2018 An et al.
 D820,947 S 6/2018 An et al.
 D824,484 S * 7/2018 Zou B01D 35/153
 D23/209
 2006/0000754 A1 * 1/2006 Kang B01D 35/153
 210/97
 2006/0091047 A1 * 5/2006 Ye B01D 21/0012
 210/109
 2017/0261253 A1 * 9/2017 Mitchell B01D 35/1573

* cited by examiner

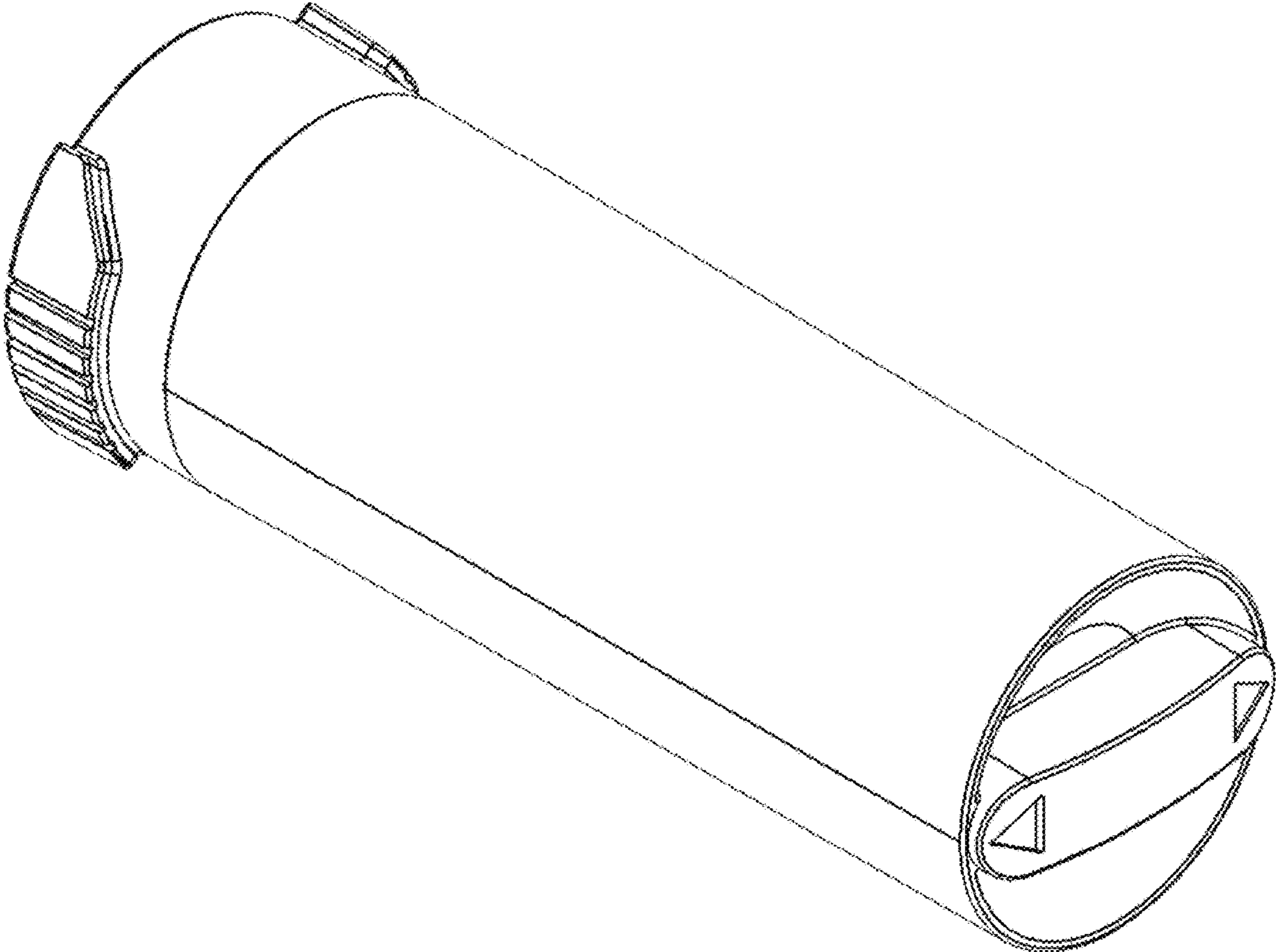


Figure 1

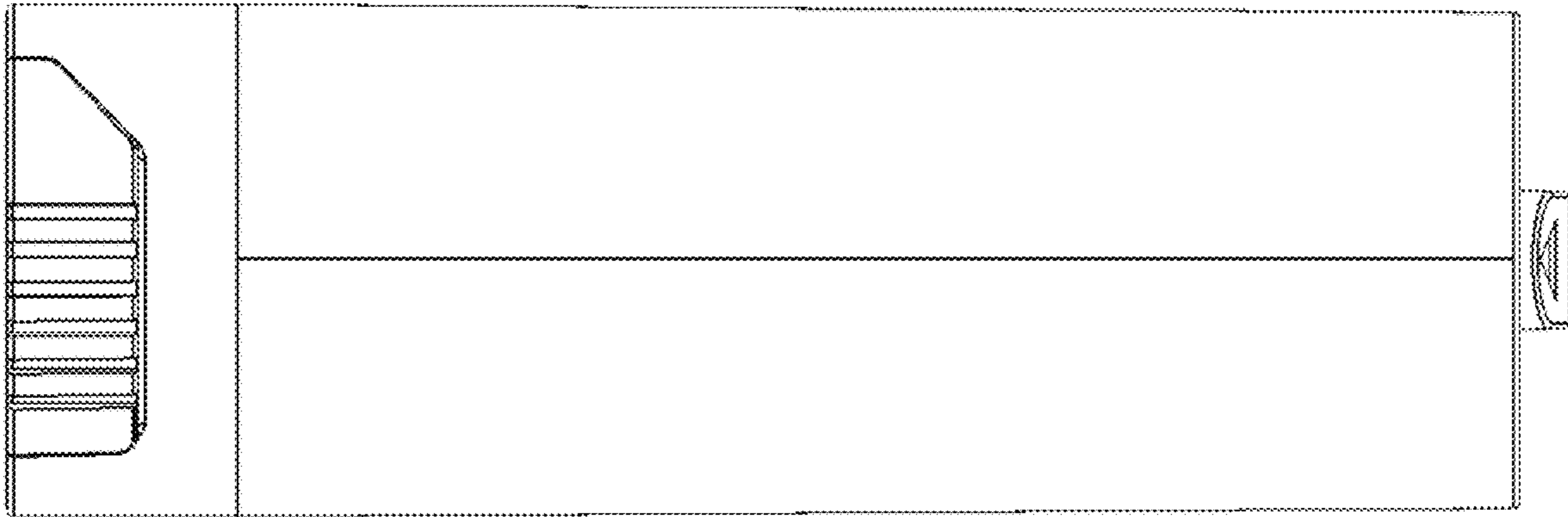


Figure 2

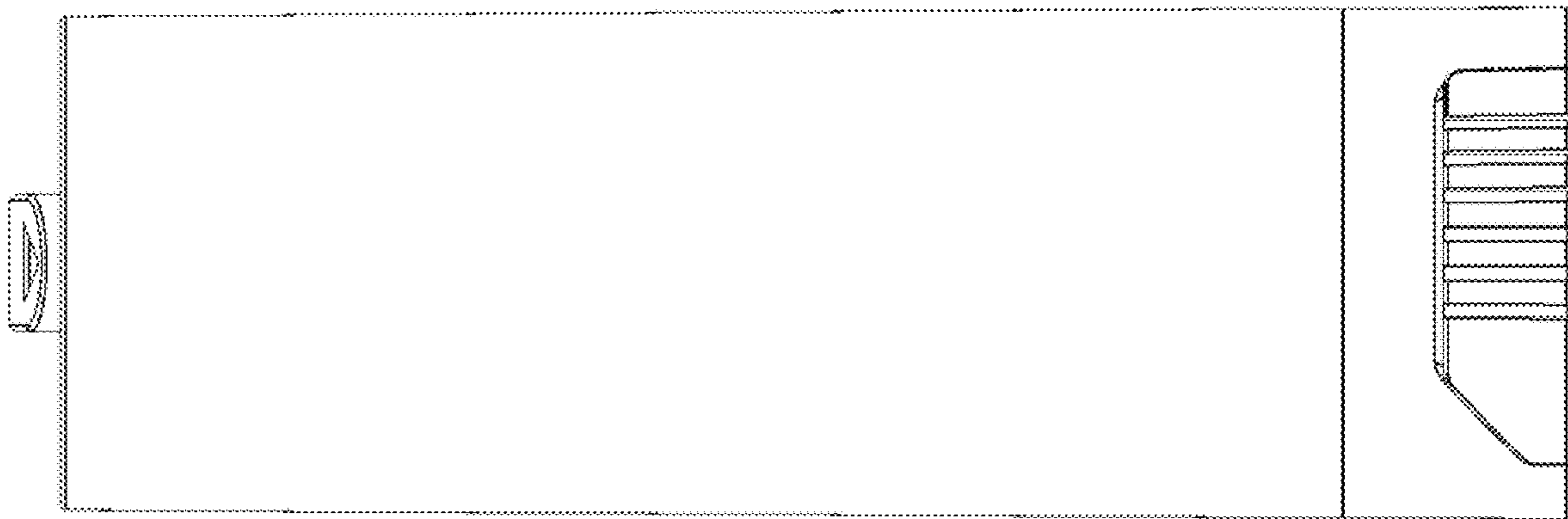


Figure 3

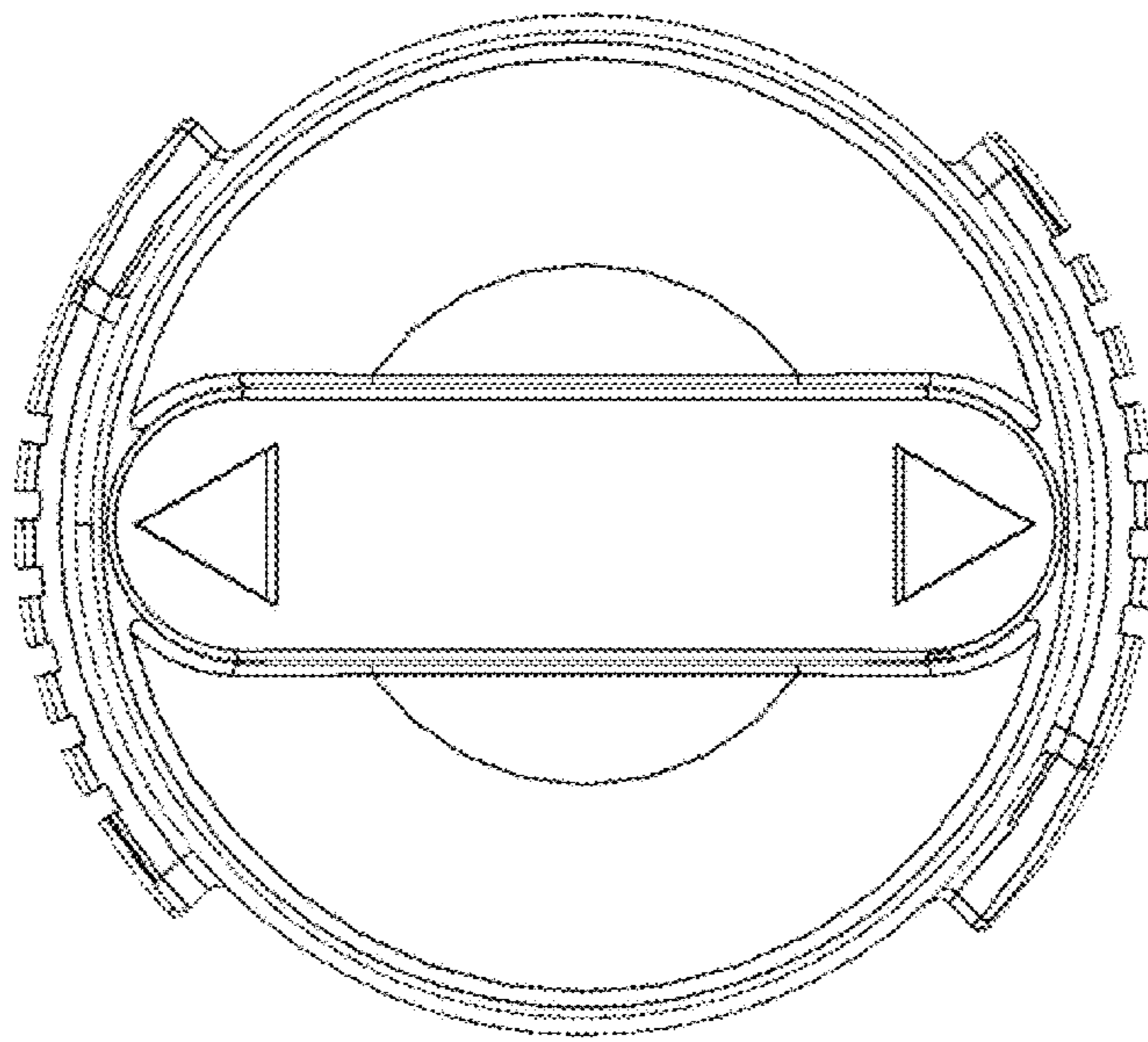


Figure 4

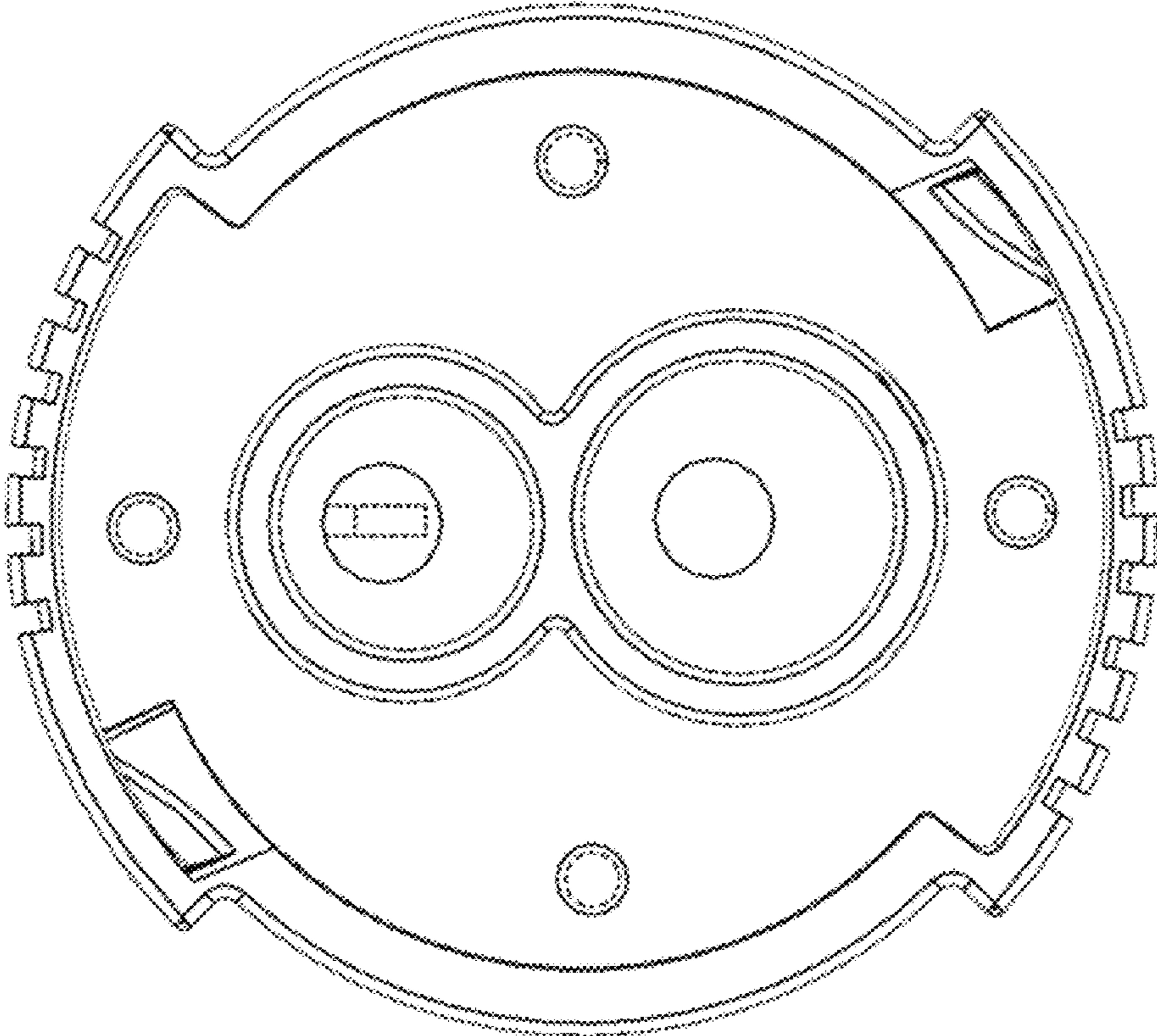


Figure 5

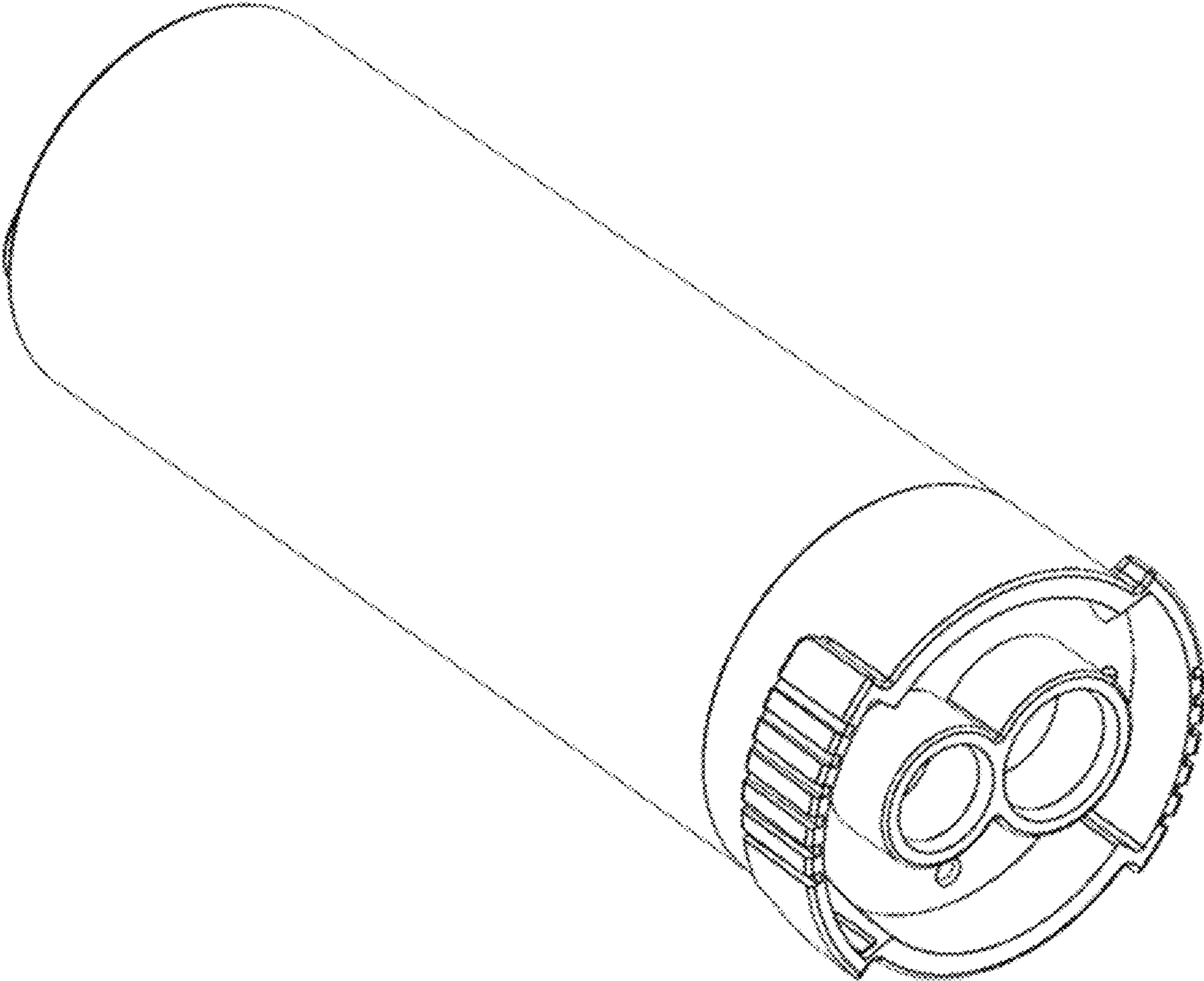


Figure 6

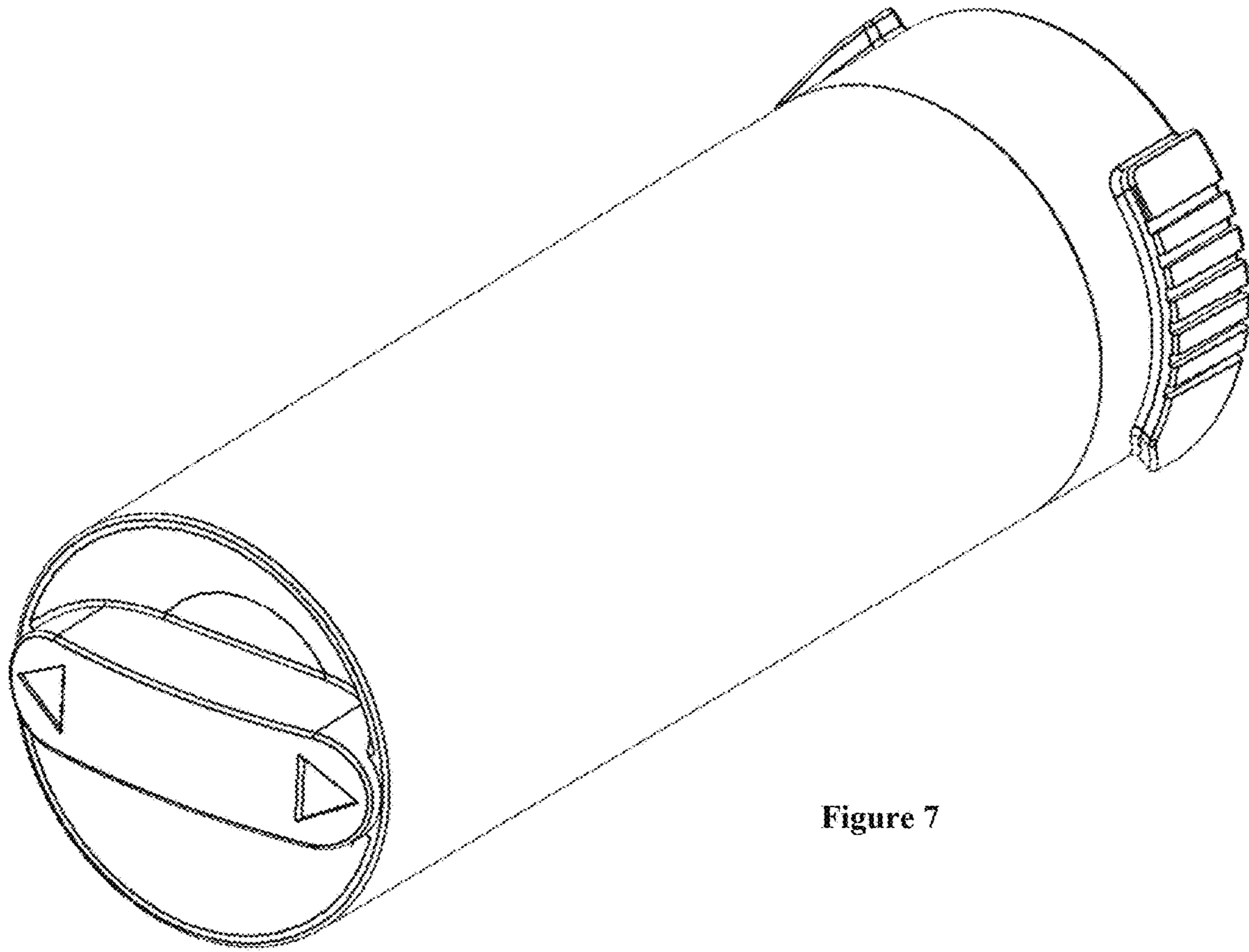


Figure 7

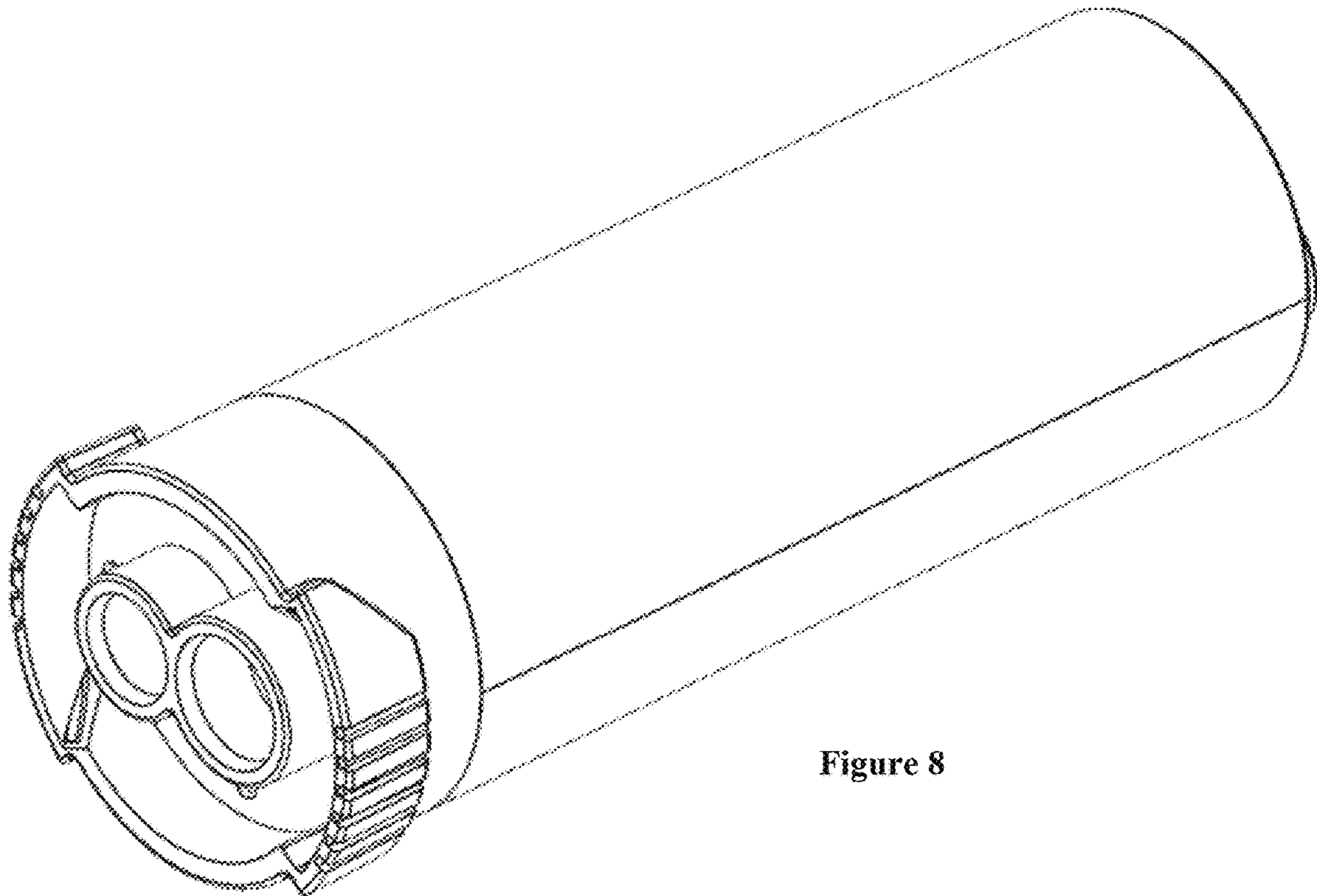


Figure 8

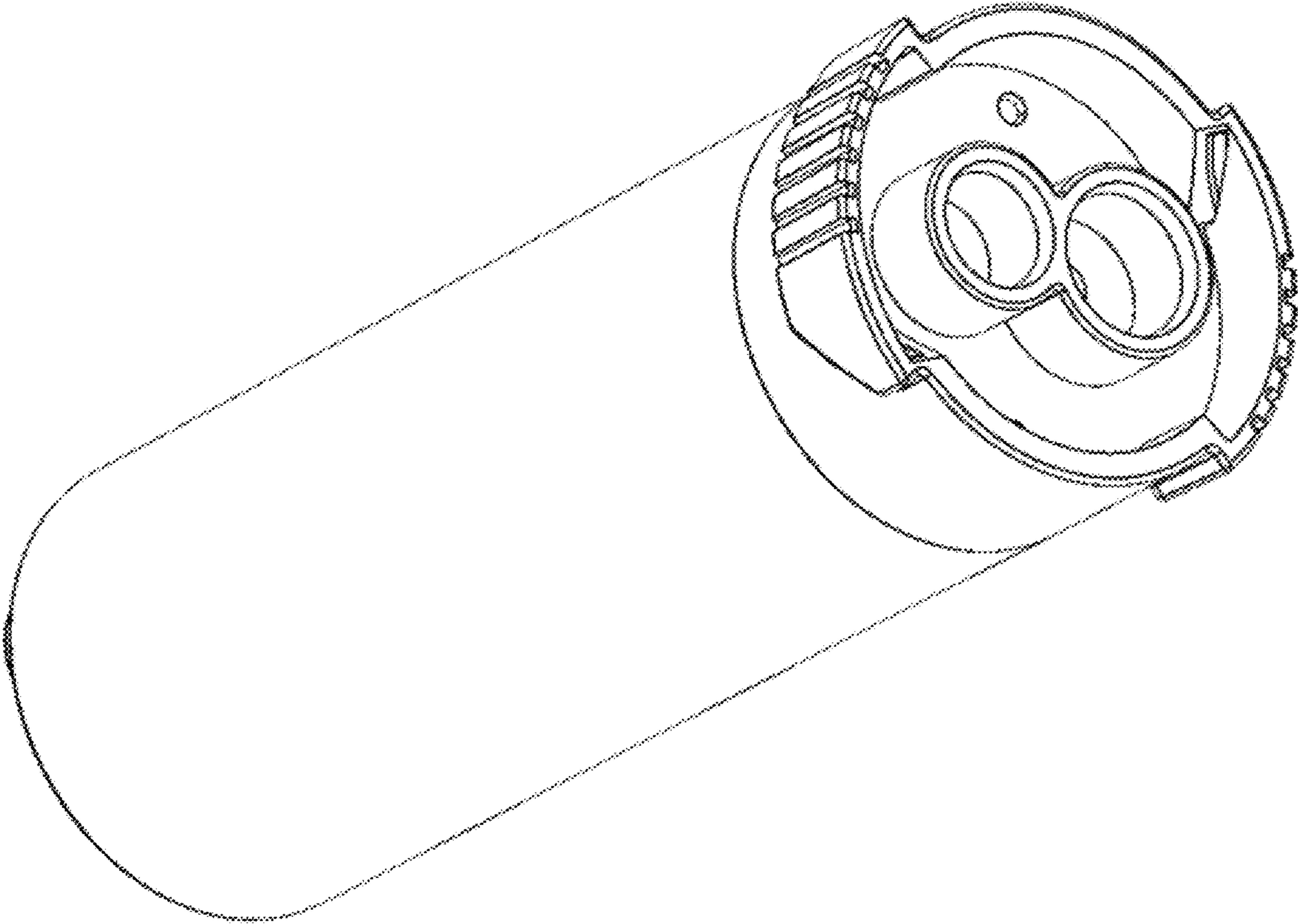


Figure 9

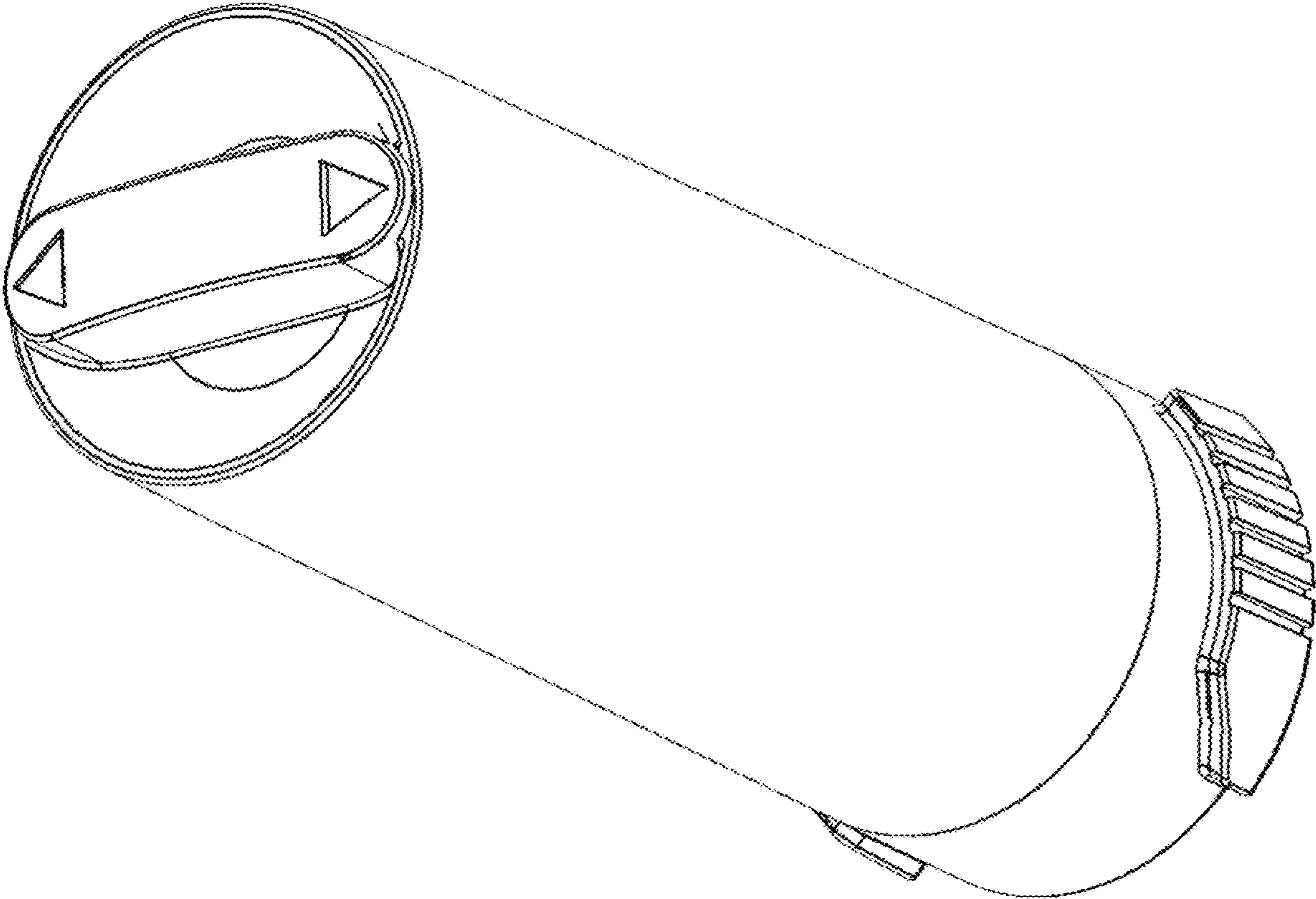


Figure 10

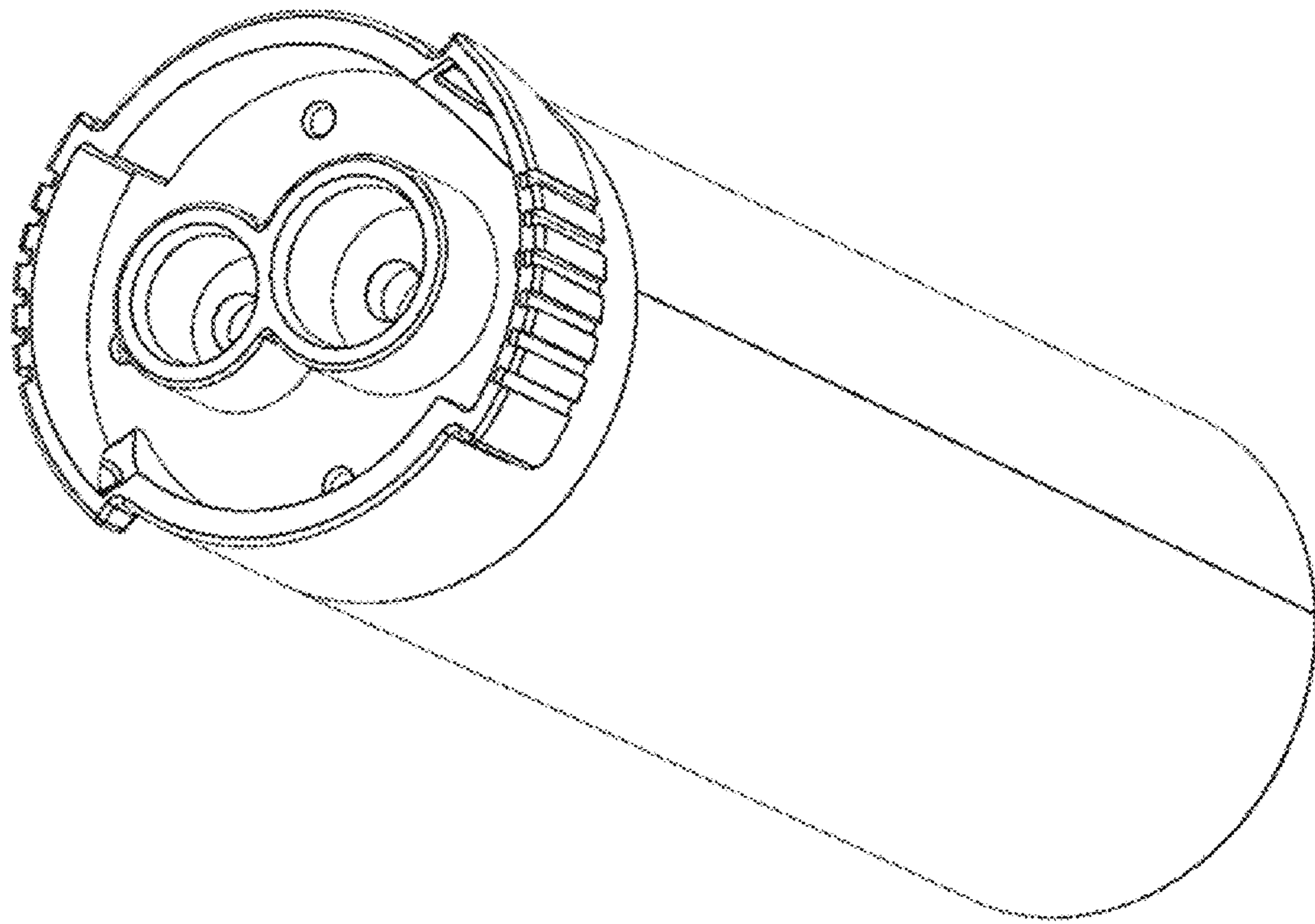


Figure 11

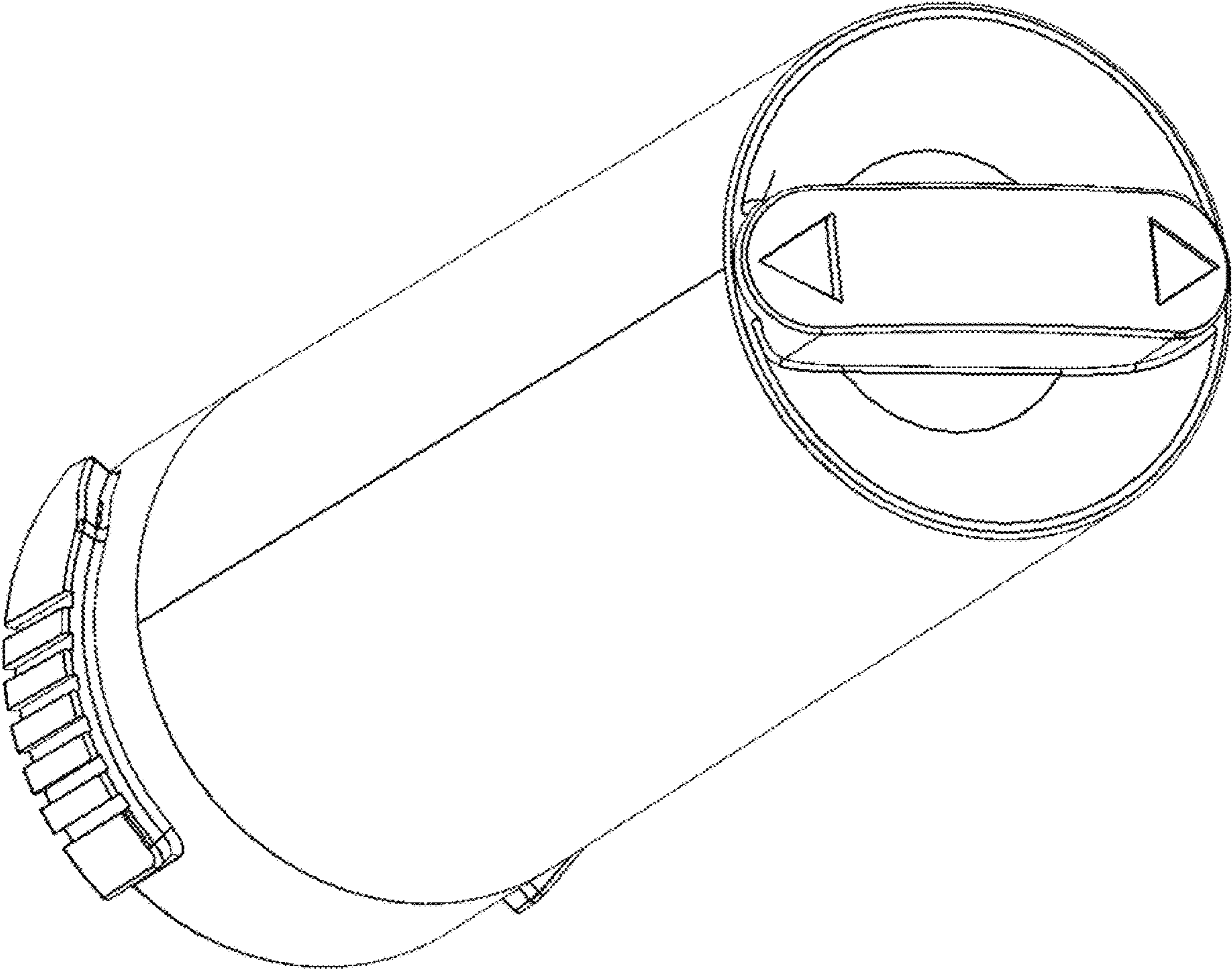


Figure 12