



US00D907175S

(12) **United States Design Patent**  
**Roth**

(10) **Patent No.:** **US D907,175 S**  
(45) **Date of Patent:** **\*\* Jan. 5, 2021**

(54) **DRAIN PAN MOUNTABLE WATER SENSOR**

FOREIGN PATENT DOCUMENTS

(71) Applicant: **Roth Technologies LLC**, San Antonio, TX (US)

CN 302649320 \* 6/2013

(72) Inventor: **Ronald B. Roth**, San Antonio, TX (US)

OTHER PUBLICATIONS

(\*\*) Term: **15 Years**

Condensate cop, announced Aug. 18, 2017[online], [site visited Oct. 22, 2020]. Available from internet, URL:<<https://www.amazon.com/DiversiTech-CC-1-Condensate-Drain-Switch/dp/B003QK4KUM>> (Year: 2018).\*

(21) Appl. No.: **29/686,423**

\* cited by examiner

(22) Filed: **Apr. 4, 2019**

(51) **LOC (13) Cl.** ..... **23-01**

*Primary Examiner* — Barbara Fox

(52) **U.S. Cl.**

*Assistant Examiner* — Jamaal Rasheed

USPC ..... **D23/208**

(74) *Attorney, Agent, or Firm* — Not Just Patents LLC;

(58) **Field of Classification Search**

Wendy S Peterson

USPC ..... D23/200, 202, 208, 303; D10/52, 56, D10/101

CPC ..... B01D 5/006; B01D 35/30; C02F 1/002; C02F 1/003; G08B 21/20

(57) **CLAIM**

See application file for complete search history.

The ornamental design for a drain pan mountable water sensor, as shown and described.

**DESCRIPTION**

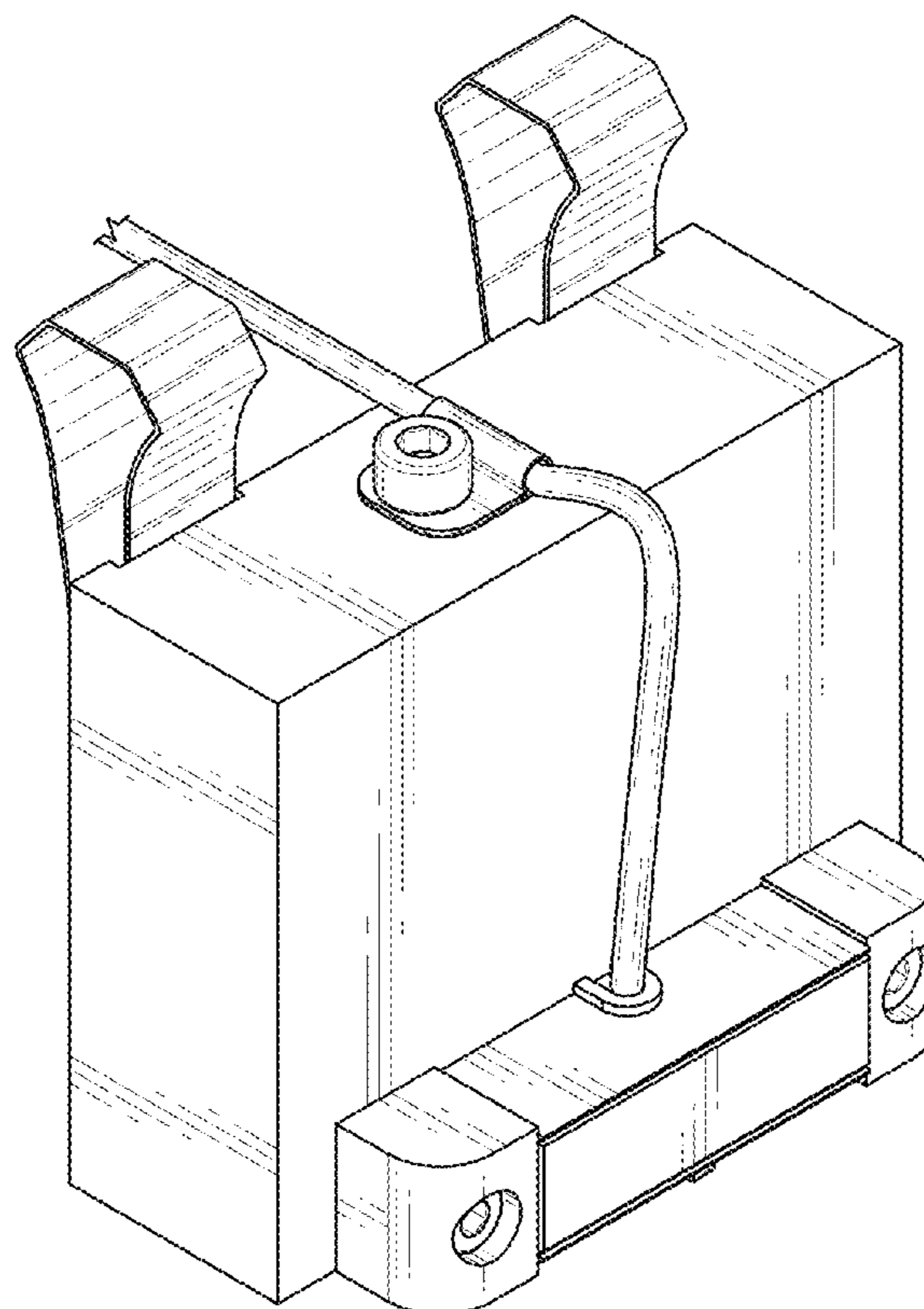
(56) **References Cited**

FIG. 1 is a perspective view of the drain pan mountable water sensor showing my new design;  
FIG. 2 is front elevational view thereof;  
FIG. 3 is a back elevational view thereof;  
FIG. 4 is a left elevational view thereof;  
FIG. 5 is a right elevational view thereof;  
FIG. 6 is a top elevational view thereof; and,  
FIG. 7 is a bottom elevational view thereof.

U.S. PATENT DOCUMENTS

D432,933 S *	10/2000	Einck	.....	D10/101
D603,738 S *	11/2009	Nies	.....	D10/101
D652,479 S *	1/2012	Theiss	.....	D23/202
D867,187 S *	11/2019	Rasmussen	.....	D10/101
D883,815 S *	5/2020	Billman	.....	D10/49
D886,647 S *	6/2020	Park	.....	D10/52
D898,598 S *	10/2020	Roth	.....	D10/101
2020/0018665 A1 *	1/2020	Ostashev	.....	G08B 3/10

**1 Claim, 7 Drawing Sheets**



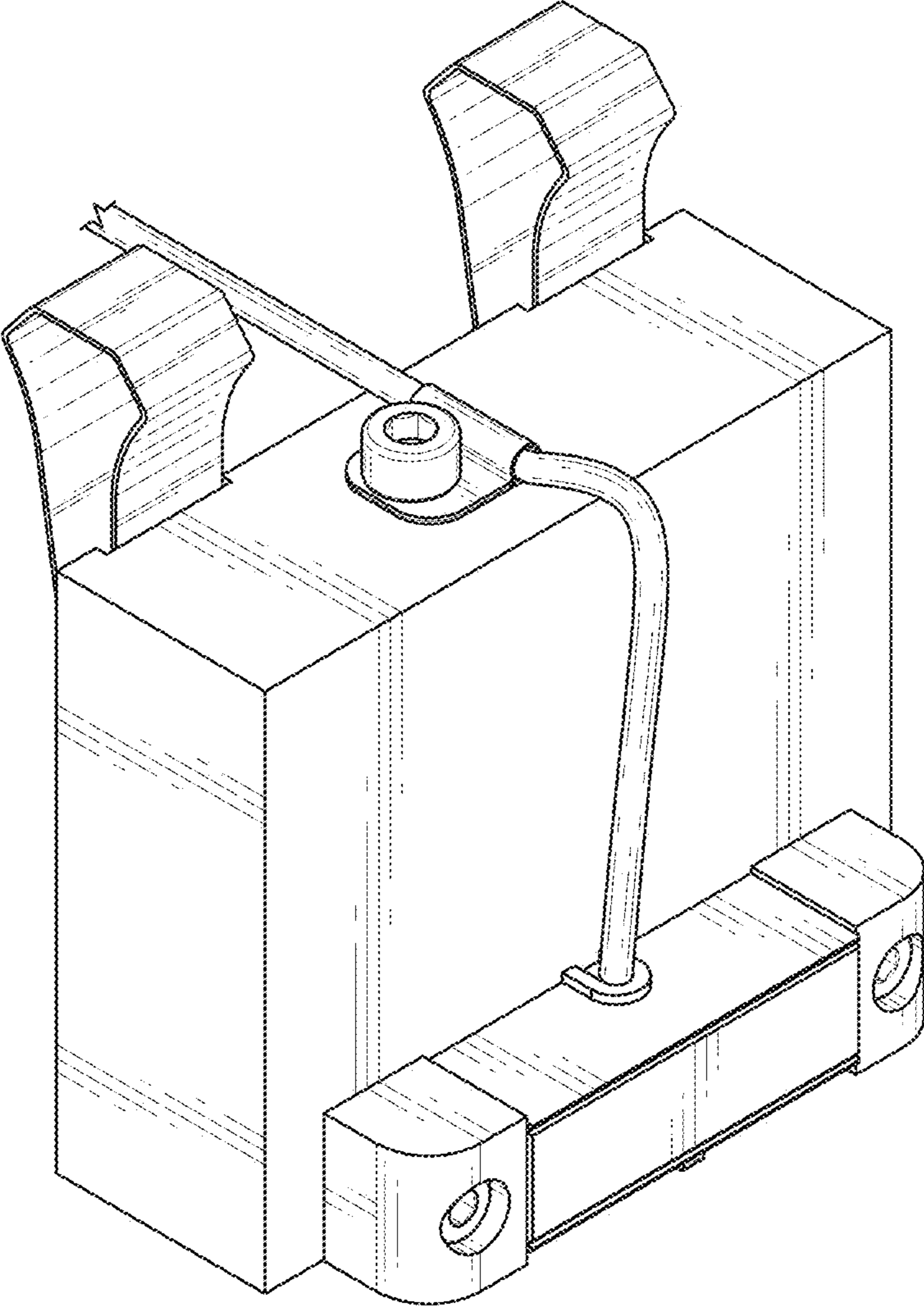


FIG. 1

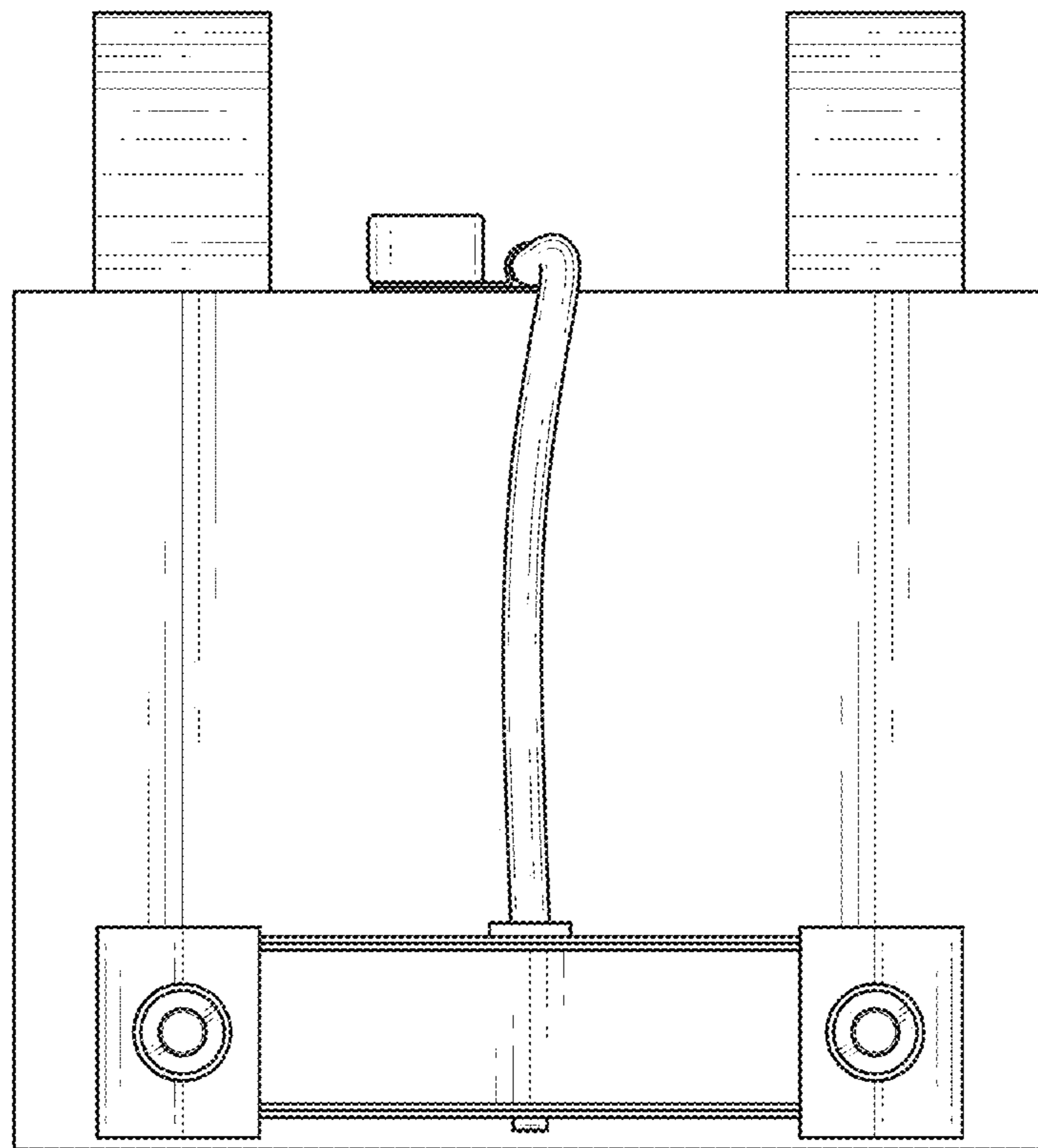


FIG. 2

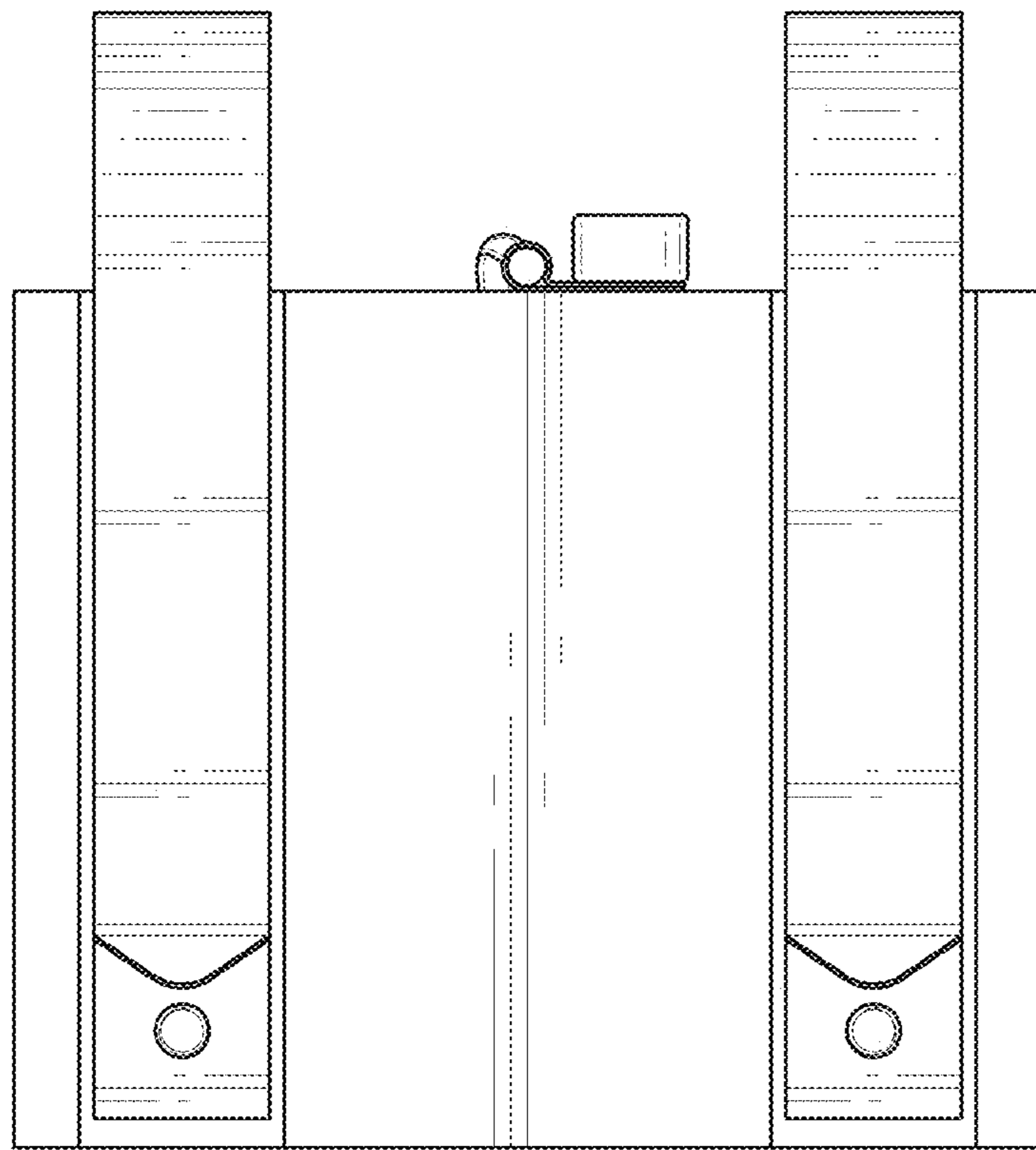


FIG. 3

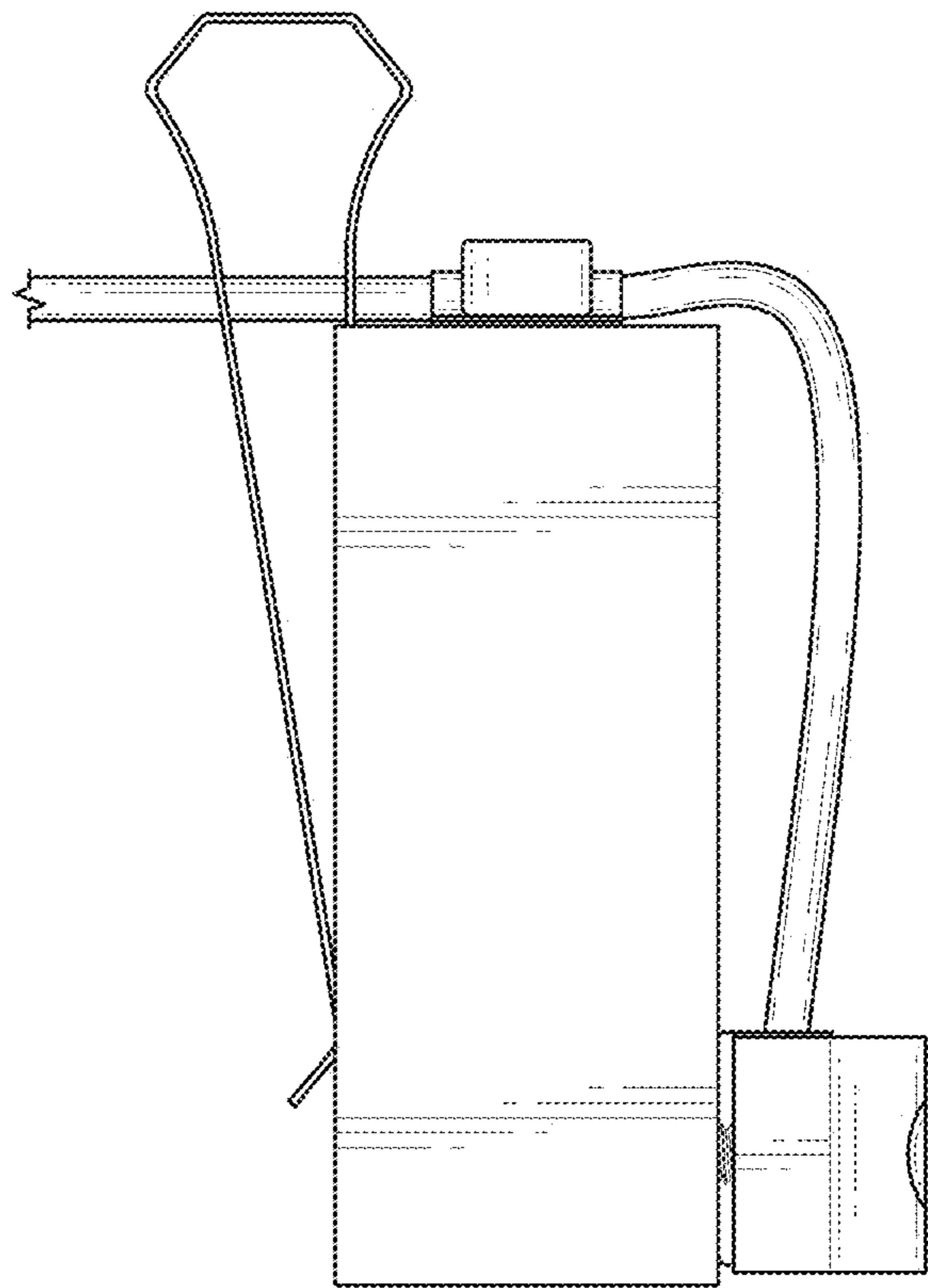


FIG. 4

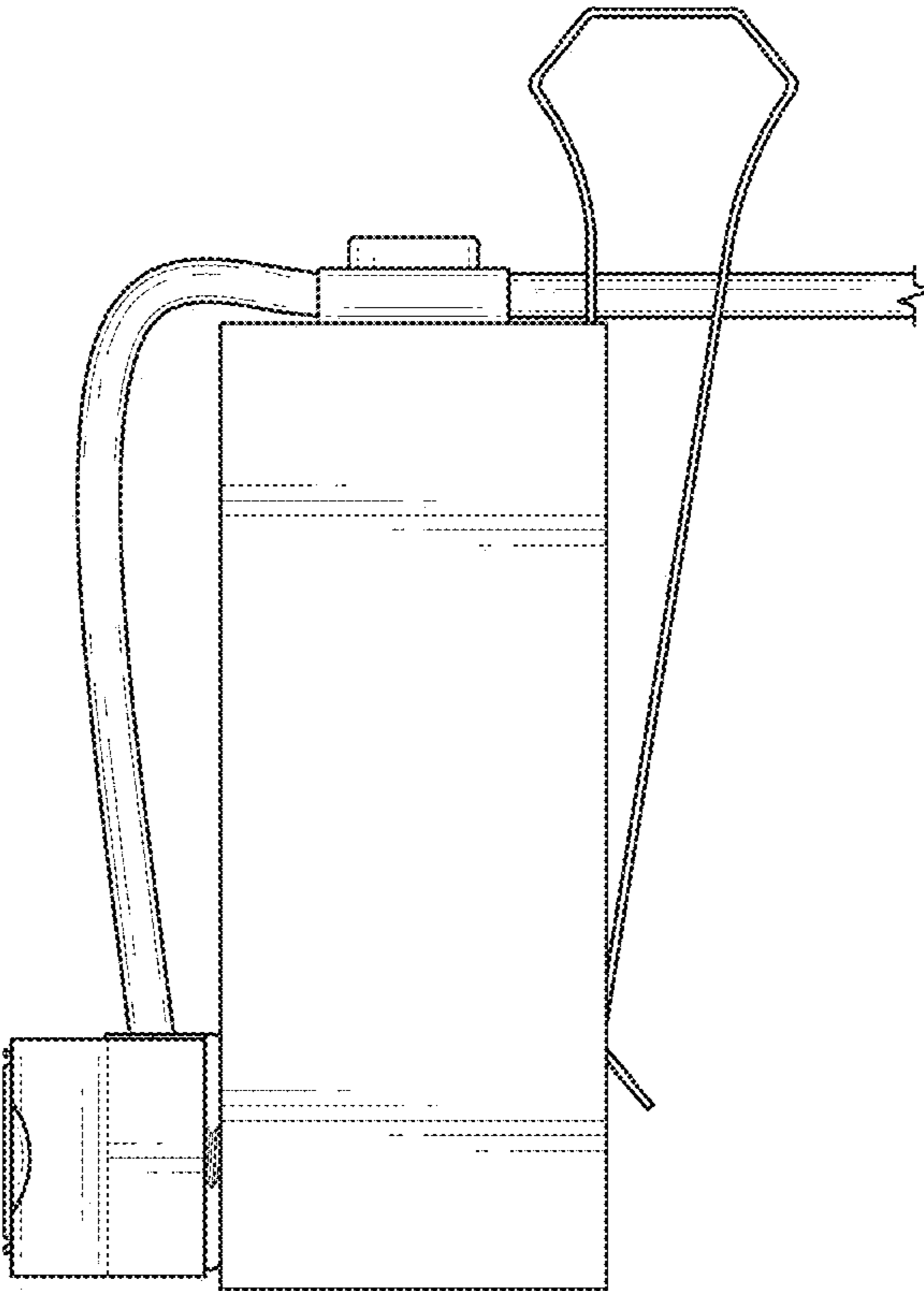


FIG. 5

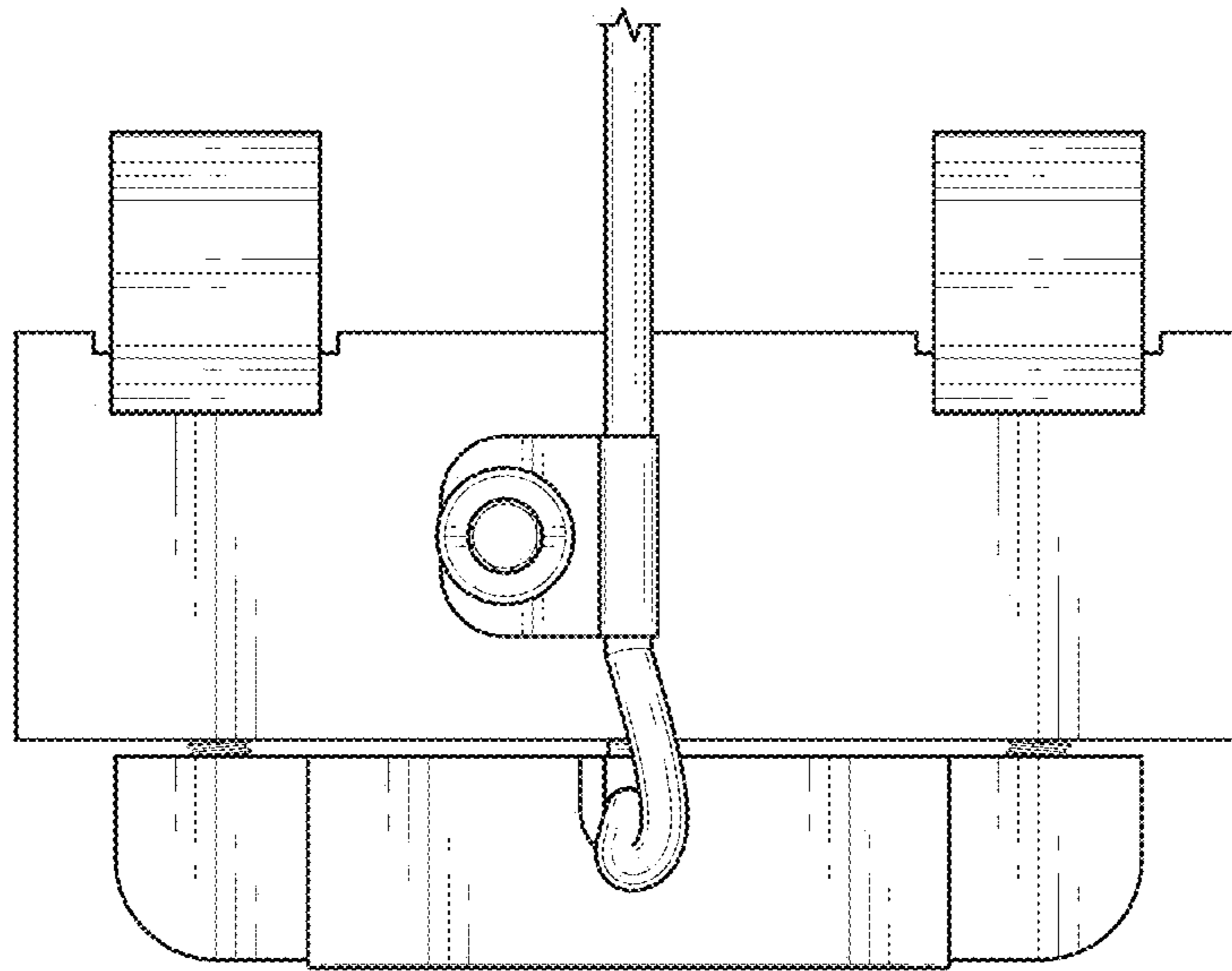


FIG. 6

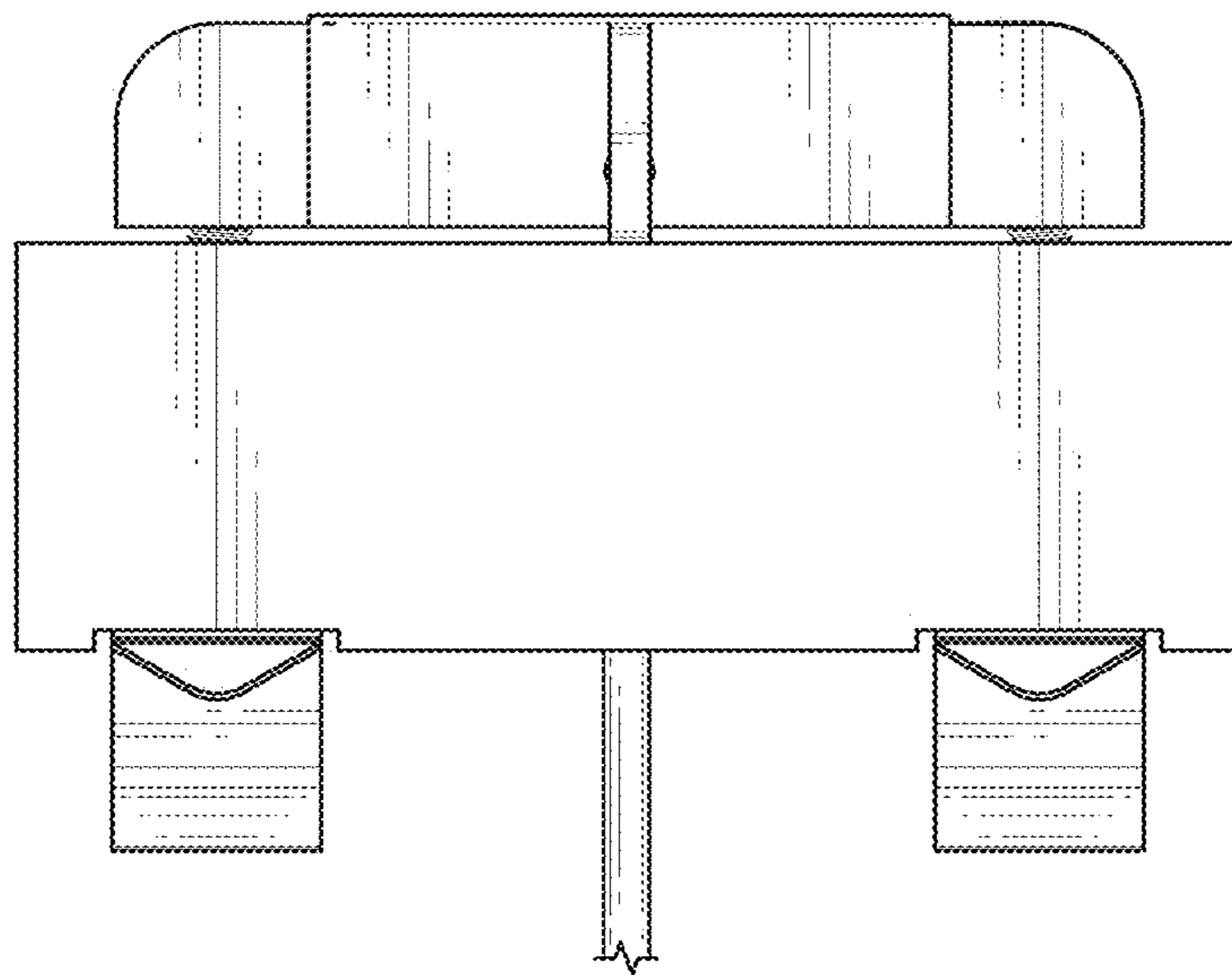


FIG. 7