



US00D907174S

(12) **United States Design Patent** (10) **Patent No.:** **US D907,174 S**  
**Park** (45) **Date of Patent:** **\*\* Jan. 5, 2021**

(54) **WATER PURIFIER WITH ICE MAKER**

D853,772 S \* 7/2019 Park ..... D7/307  
D876,147 S \* 2/2020 Rubin ..... D7/308  
D888,485 S \* 6/2020 Kim ..... D7/306  
2019/0389740 A1\* 12/2019 Choi ..... B01D 61/00

(71) Applicant: **Cuckoo Homesys Co., Ltd.**, Siheung-si (KR)

**FOREIGN PATENT DOCUMENTS**

(72) Inventor: **Seo Jun Park**, Yangsan-si (KR)

IN 318034-001-0001 \* 5/2019  
KR 300984661 \* 5/2018  
KR 300984663 \* 5/2018

(73) Assignee: **CUCKOO HOMESYS CO., LTD.**, Siheung-si (KR)

(\*\*) Term: **15 Years**

**OTHER PUBLICATIONS**

(21) Appl. No.: **29/692,312**

Avalon Water Dispenser, announced May 24, 2018[online], [site visited Sep. 22, 2020]. Available from internet, URL:<https://www.amazon.com/Avalon-Countertop-Bottleless-Dispenser-Temperatures/dp/B079VHRG56> (Year: 2018).\*

(22) Filed: **May 24, 2019**

Cuckoo Water Purifier, announced May 18, 2018[online], [site visited date]. Available from internet, URL:< https://www.amazon.in/Cuckoo-Oasis-Water-Purifier-Faucet/dp/B07D5YTL7V> (Year: 2018).\*

(30) **Foreign Application Priority Data**

Jan. 10, 2019 (KR) ..... 30-2019-0001369

(51) **LOC (13) Cl.** ..... **23-01**

(52) **U.S. Cl.**  
USPC ..... **D23/207**

(58) **Field of Classification Search**  
USPC ..... D23/207; D7/306, 307, 309, 311  
CPC ..... C02F 1/00; B01D 35/04; B01D 61/00  
See application file for complete search history.

\* cited by examiner

*Primary Examiner* — Barbara Fox  
*Assistant Examiner* — Jamaal Rasheed  
(74) *Attorney, Agent, or Firm* — STIP Law Group, LLC

(56) **References Cited**

(57) **CLAIM**

**U.S. PATENT DOCUMENTS**

The ornamental design for a water purifier with ice maker, as shown and described.

- D363,757 S \* 10/1995 Hagstrand ..... D23/207
- D486,880 S \* 2/2004 Gracias ..... D23/207
- D553,416 S \* 10/2007 Lin ..... D7/306
- D600,062 S \* 9/2009 Lavy ..... D7/309
- D669,154 S \* 10/2012 Choi ..... D23/207
- D717,911 S \* 11/2014 Moon ..... D23/207
- D718,413 S \* 11/2014 Choi ..... D23/207
- D718,414 S \* 11/2014 Lo ..... D23/207
- D769,407 S \* 10/2016 Lee ..... D23/207
- D822,154 S \* 7/2018 Lee ..... D23/207
- D825,243 S \* 8/2018 Yoon ..... D7/308
- D841,774 S \* 2/2019 Ghoshal ..... D23/207
- D841,775 S \* 2/2019 Ghoshal ..... D23/207
- D842,428 S \* 3/2019 Choi ..... D23/207
- D842,966 S \* 3/2019 Shin ..... D23/207

**DESCRIPTION**

FIG. 1 is a perspective view of the water purifier with ice maker, showing the present design.  
FIG. 2 is a front view thereof.  
FIG. 3 is a rear view thereof.  
FIG. 4 is a left side view thereof.  
FIG. 5 is a right side view thereof.  
FIG. 6 is a top view of thereof; and,  
FIG. 7 is a bottom view of thereof.

**1 Claim, 7 Drawing Sheets**

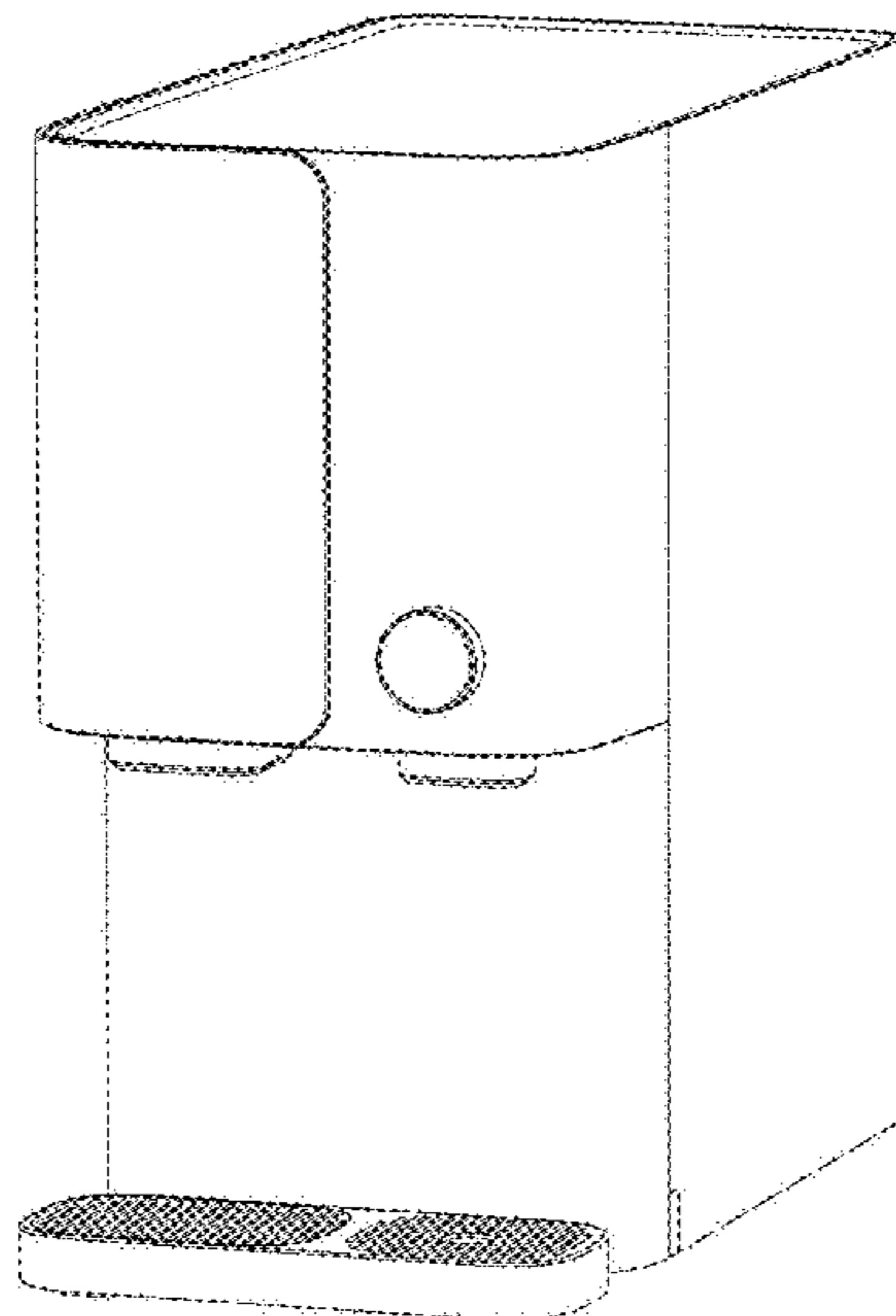


FIG. 1

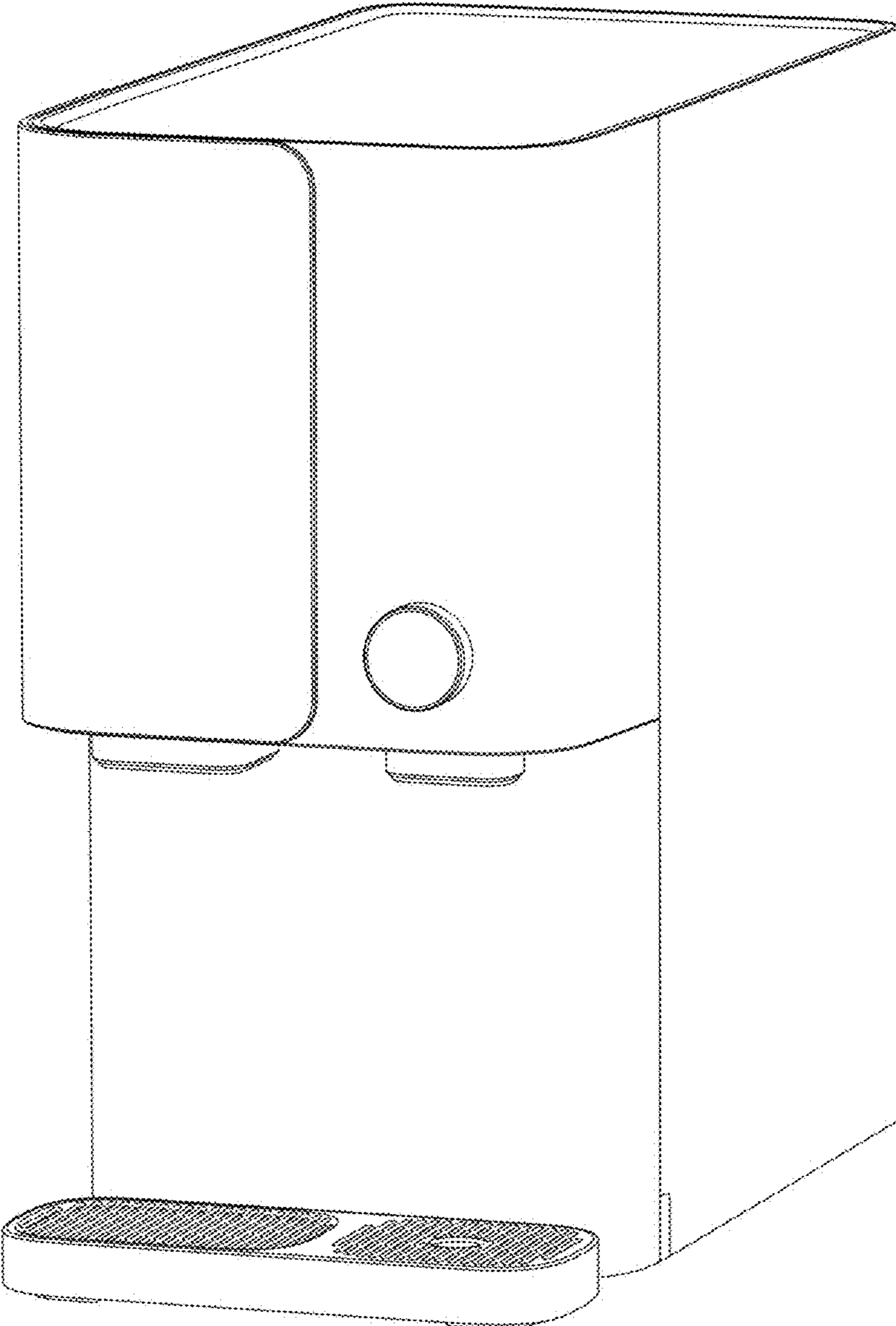


FIG. 2

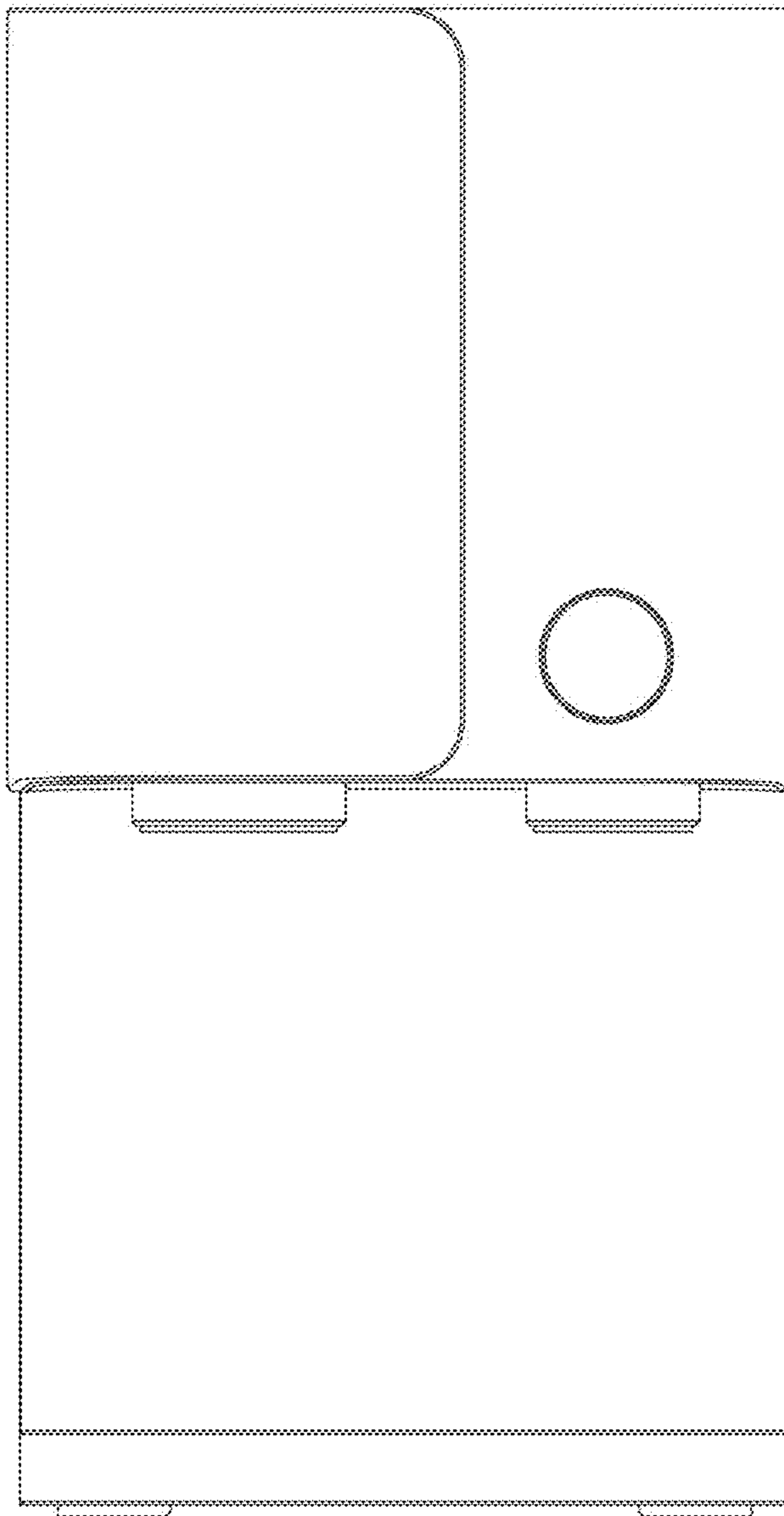


FIG. 3

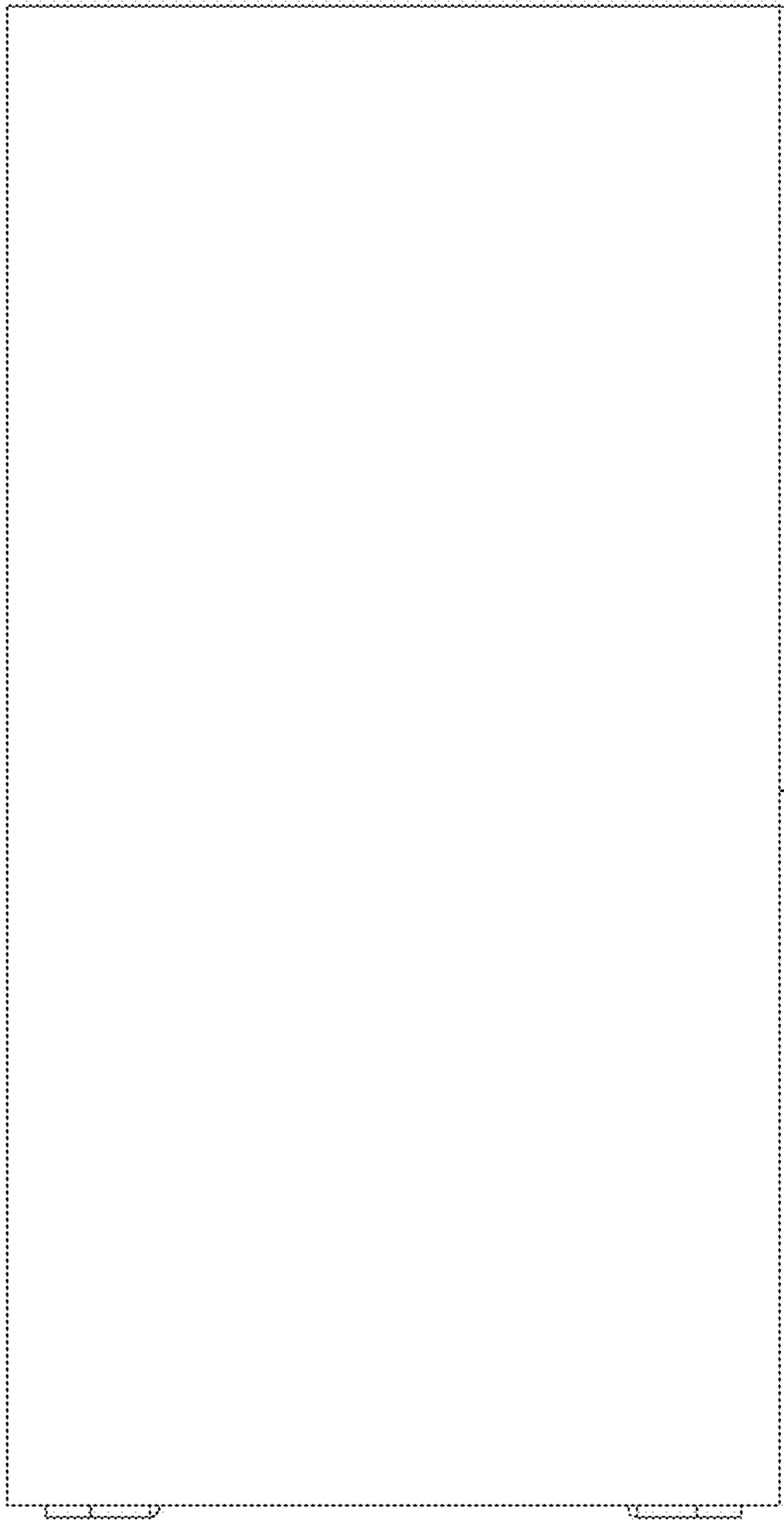


FIG. 4

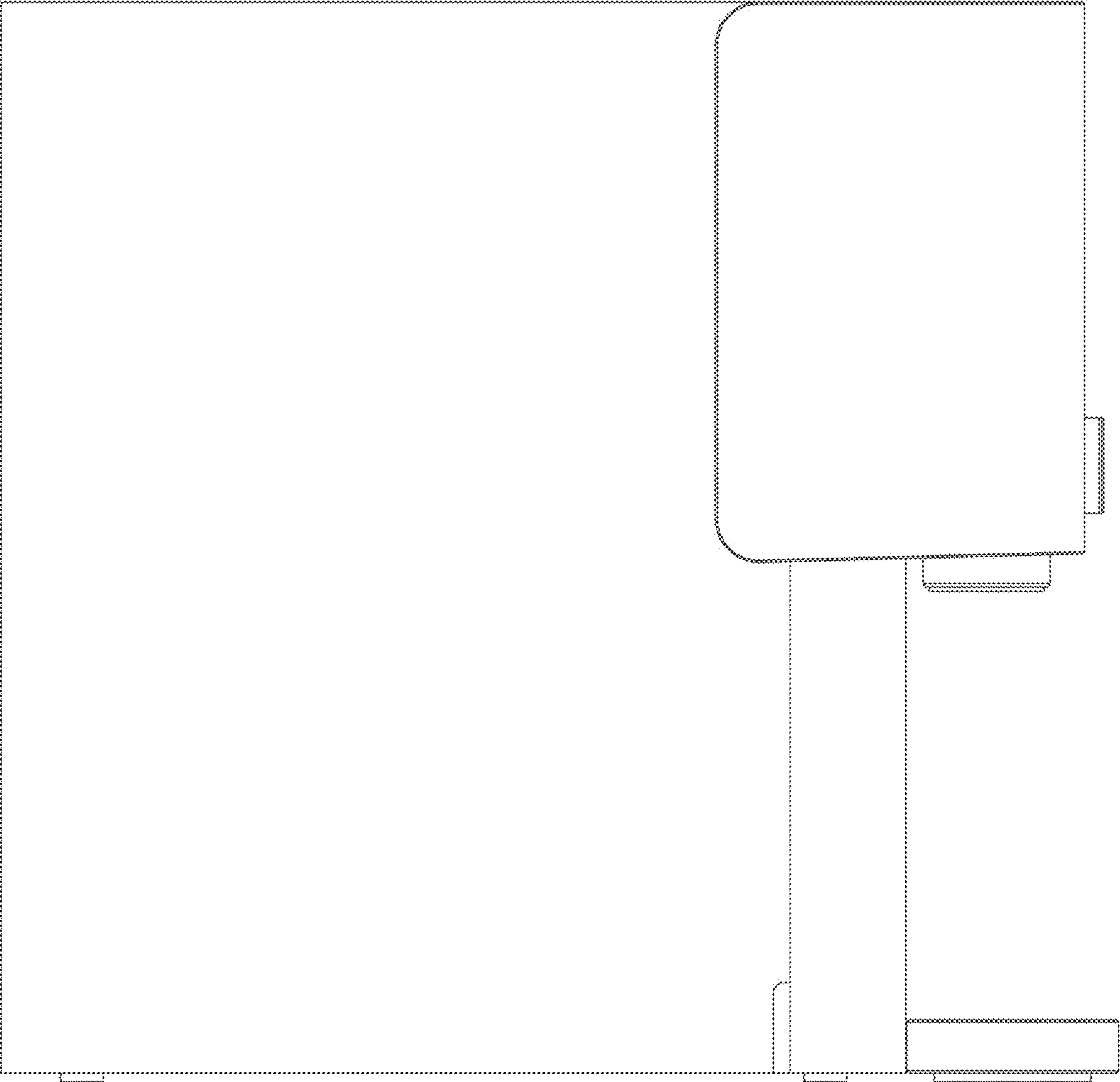


FIG. 5



FIG. 6

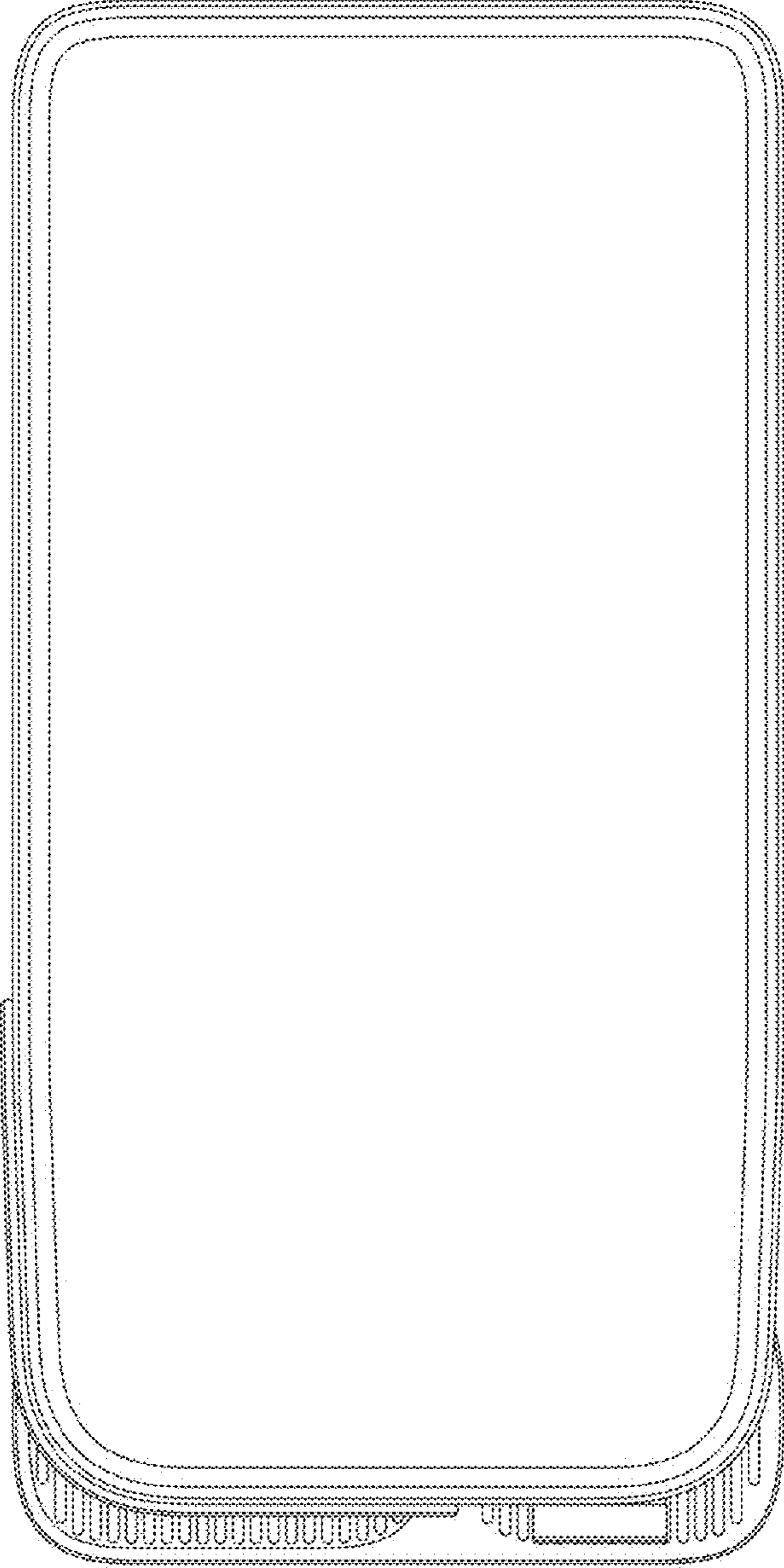




FIG. 7

