



US00D907172S

(12) **United States Design Patent** (10) **Patent No.:** **US D907,172 S**
Slavinsky et al. (45) **Date of Patent:** **** Jan. 5, 2021**

(54) **FILTRATION SYSTEM**

- (71) Applicant: **AMIAD WATER SYSTEMS LTD.,**
Upper Galil (IL)
- (72) Inventors: **Alexey Slavinsky, Kfar Hittim (IL);**
Kfir Atias, Ein Ya'akov (IL); Ra'anan
Ben-Horin, Kibbutz Bet Zera (IL)
- (73) Assignee: **Amiad Water System Ltd.,** Upper
Galil (IL)
- (**) Term: **15 Years**
- (21) Appl. No.: **29/644,204**
- (22) Filed: **Apr. 16, 2018**
- (51) **LOC (13) Cl.** **23-01**
- (52) **U.S. Cl.**
USPC **D23/207**
- (58) **Field of Classification Search**
USPC D23/200, 206, 207, 208, 209, 210, 213,
D23/233, 314, 324, 325, 328, 332, 333,
D23/336, 351, 353, 355, 357
CPC ... E04G 7/16; Y10T 403/30; Y10T 403/7105;
Y10T 403/7158; F16L 29/02; F16L
37/40; F16L 37/084; F16L 37/00; F16K
15/188; F16K 15/181
See application file for complete search history.

(56) **References Cited**

U.S. PATENT DOCUMENTS

4,026,801	A *	5/1977	Ward	B01J 49/75 210/140
D331,447	S *	12/1992	Boehme	D23/209
D333,505	S *	2/1993	Matsumura	D23/200
D351,893	S *	10/1994	Whitesel	D23/207
5,486,288	A *	1/1996	Stanford	B01D 35/153 210/235
D380,037	S *	6/1997	Grantham	D23/262
D402,023	S *	12/1998	Thallemer	D23/365
6,076,545	A *	6/2000	Cooper	A62C 35/68 137/360

(Continued)

OTHER PUBLICATIONS

https://www.dripdepot.com/item/amiad-mini-sigma-automatic-filter-size-4-inch-micron-100-orientation-on-line?gclid=EAlalQobChMI185omavo5gIVG17ICh2xpwsaEAQYAiABEgIMvFD_BwE (Year: 2019).*

(Continued)

Primary Examiner — Manpreet S Matharu

Assistant Examiner — Keith J Wilson

(74) *Attorney, Agent, or Firm* — Tutunjian & Bitetto, P.C.

(57) **CLAIM**

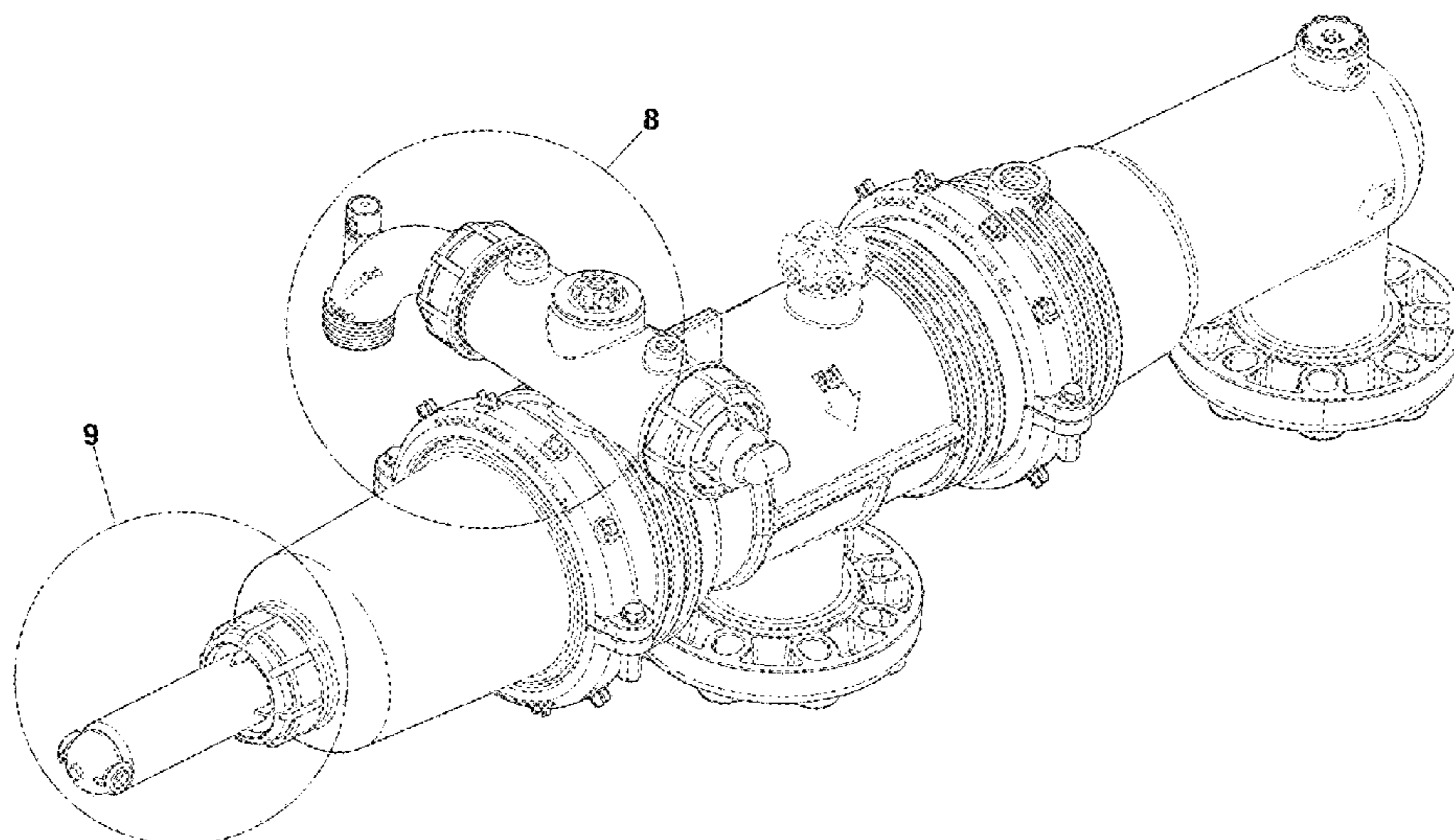
The ornamental design for a filtration system, as shown and described.

DESCRIPTION

FIG. 1 is a perspective view of the filtration system showing our new design;
 FIG. 2 is a front view thereof;
 FIG. 3 is a rear view thereof;
 FIG. 4 is a top view thereof;
 FIG. 5 is a bottom view thereof;
 FIG. 6 is a left end view thereof;
 FIG. 7 is a right end view thereof;
 FIG. 8 is an enlarged view of the portion identified as “8” in FIG. 1;
 FIG. 9 is an enlarged view of the portion identified as “9” in FIG. 1;
 FIG. 10 is an enlarged view of the portion identified as “10” in FIG. 3;
 FIG. 11 is an enlarged view of the portion identified as “11” in FIG. 6;
 FIG. 12 is an enlarged view of the portion identified as “12” in FIG. 6; and,
 FIG. 13 is an enlarged view of the portion identified as “13” in FIG. 6.

The broken lines in the drawings represent portions of a filtration system and form no part of the claimed design.

1 Claim, 10 Drawing Sheets



(56)

References Cited

U.S. PATENT DOCUMENTS

D428,978	S *	8/2000	Ito	D23/325
6,158,195	A *	12/2000	Andersson	B65B 39/004 53/237
D439,950	S *	4/2001	Fletcher	D23/207
D446,840	S *	8/2001	Strand	D23/209
6,583,422	B2 *	6/2003	Boehme	C02F 1/325 250/432 R
D481,442	S *	10/2003	Liu	D23/209
D482,755	S *	11/2003	Rhinehart	D23/207
D486,882	S *	2/2004	Riddell	D23/207
D502,757	S *	3/2005	Mork	D23/207
D507,325	S *	7/2005	McClean	D23/207
D508,281	S *	8/2005	McClean	D23/207
7,021,671	B2 *	4/2006	Evans	E03F 1/002 137/561 A
D545,406	S *	6/2007	Surinak	D23/266
D600,775	S *	9/2009	Schmitt	D23/209
D612,464	S *	3/2010	Weisel	D23/266
D633,982	S *	3/2011	Palmer	D23/209
7,913,932	B2 *	3/2011	Wu	A01M 7/0046 239/288
D643,506	S *	8/2011	Miles	D23/207
D654,145	S *	2/2012	Chatterjee	D23/207
D654,558	S *	2/2012	Zeng	D23/208
D662,196	S *	6/2012	Ito	D23/365
D662,568	S *	6/2012	Zeng	D23/208
D675,706	S *	2/2013	Mallol	D23/207
D675,707	S *	2/2013	Mallol	D23/207
D682,387	S *	5/2013	Tseng	D23/207
D687,925	S *	8/2013	Gill	D23/213
D695,877	S *	12/2013	Geisen	D23/207
D705,390	S *	5/2014	Okazaki	D23/207
D719,634	S *	12/2014	Reed	D23/209
D720,048	S *	12/2014	Winborn	D23/233
D728,748	S *	5/2015	Gehrling	D23/233
D753,795	S *	4/2016	Rahms	D23/233
D754,289	S *	4/2016	Roden	D23/233
D754,290	S *	4/2016	Roden	D23/233
D754,630	S *	4/2016	Paterson	D14/204
D755,155	S *	5/2016	Paterson	D14/204
D755,347	S *	5/2016	Jenne	D23/233
D755,928	S *	5/2016	Jenne	D23/233
D762,834	S *	8/2016	Kaufmann	D23/365
D771,223	S *	11/2016	Rycroft	D23/233
D773,611	S *	12/2016	Baker	D23/233
D790,508	S *	6/2017	Lewis	D14/204
D794,165	S *	8/2017	Adey	B03C 1/286 D23/233
9,901,850	B2 *	2/2018	Zur	B01D 29/117
D812,191	S *	3/2018	Harck	D23/233
D813,351	S *	3/2018	Harck	D23/233
D818,562	S *	5/2018	Yung	D23/233
9,993,754	B2 *	6/2018	Bentor	B01D 29/92
D829,687	S *	10/2018	Burlingame	D14/214
D835,754	S *	12/2018	Caleffi	D23/233
D837,182	S *	1/2019	Elmieh	D14/204
D841,774	S *	2/2019	Ghoshal	D23/207
D841,775	S *	2/2019	Ghoshal	D23/207
D844,101	S *	3/2019	Zheng	D23/207
D848,399	S *	5/2019	Burlingame	D14/221
D854,509	S *	7/2019	Wu	D14/168
D855,151	S *	7/2019	Joo	D23/207
D857,837	S *	8/2019	Ibald	D23/206
D858,702	S *	9/2019	Lagoni	D23/233
D858,703	S *	9/2019	Lagoni	D23/233
2018/0291911	A1 *	10/2018	Ward	F04B 17/03

OTHER PUBLICATIONS

<https://irrigation.amiad.com/product/mini-sigma-3/> (Year: 2019).*

https://www.dripdepot.com/item/amiad-mini-sigma-automatic-filter-size-2-inch-micron-200-orientation-on-line?gclid=EAlalQobChMlmeOCrPPu6gIVLwiCR26NgTWEAkYBiABEgJbXPD_BwE (Year: 2019).*

https://www.dripdepot.com/item/amiad-mini-sigma-automatic-filter-size-2-inch-micron-200-orientation-on-line?gclid=EAlalQobChMlmeOCrPPu6gIVLwiCR26NgTWEAkYBiABEgJbXPD_BwE (Year: 2019).*

* cited by examiner

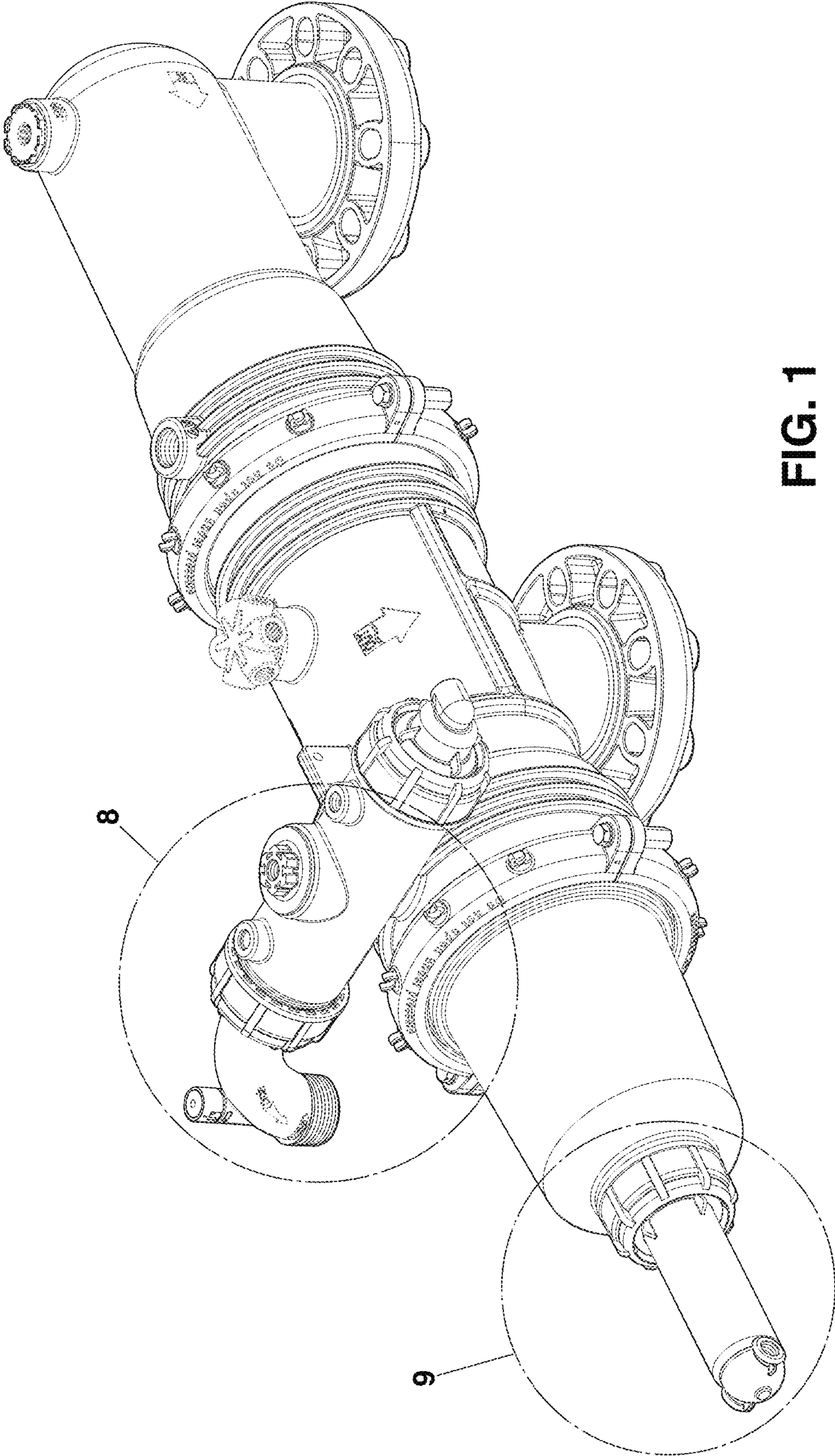


FIG. 1

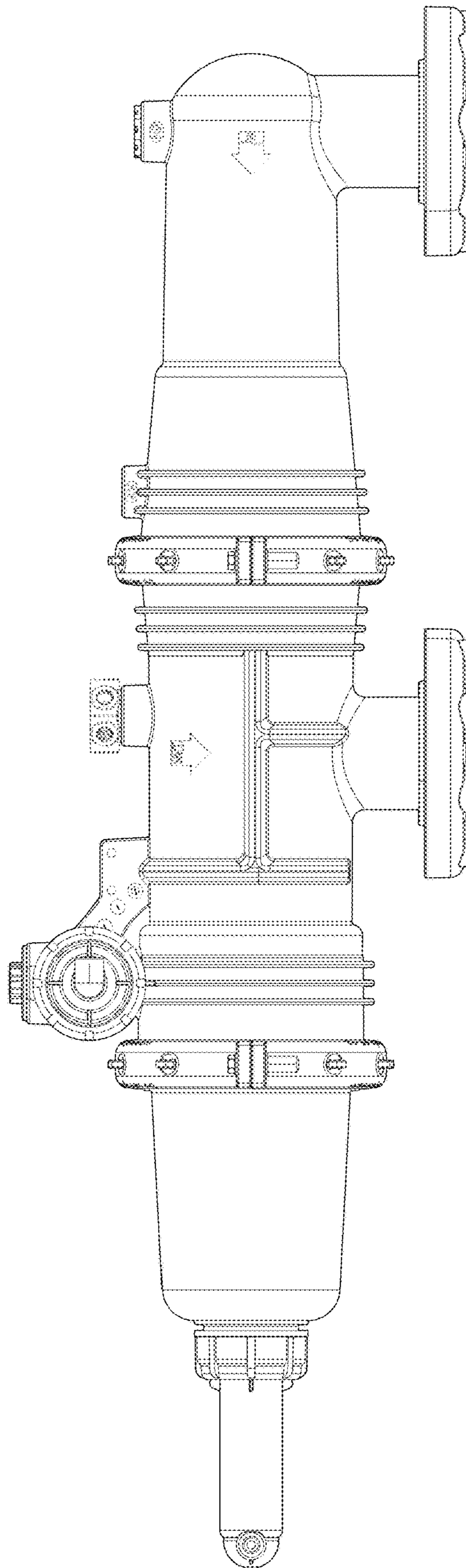


FIG. 2

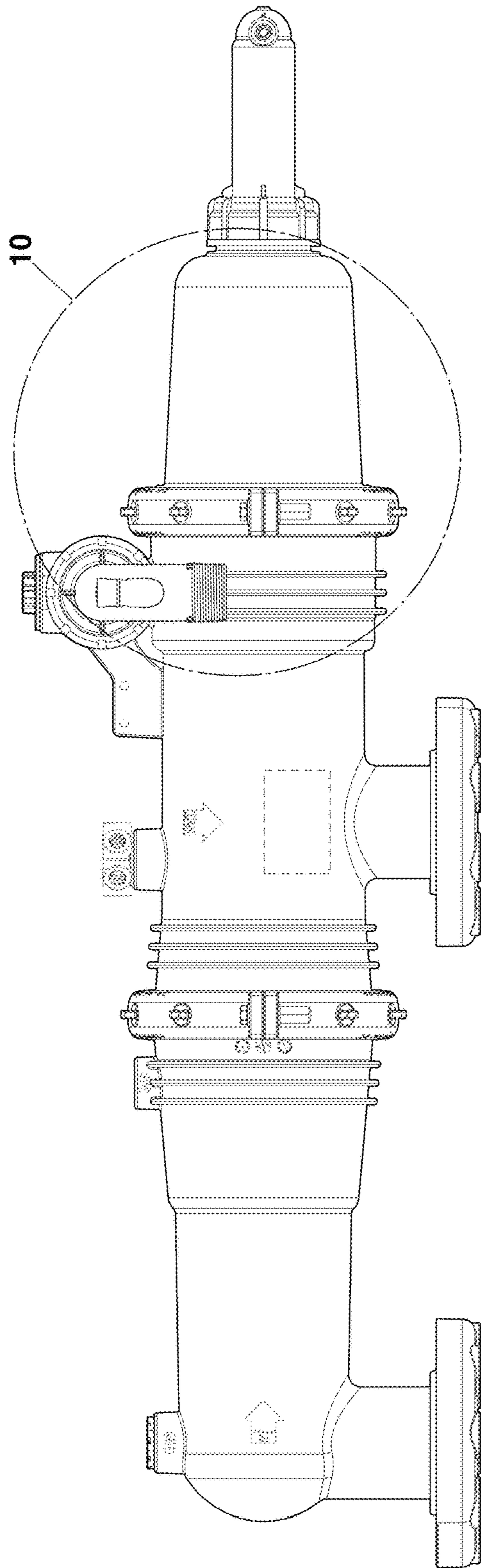


FIG. 3

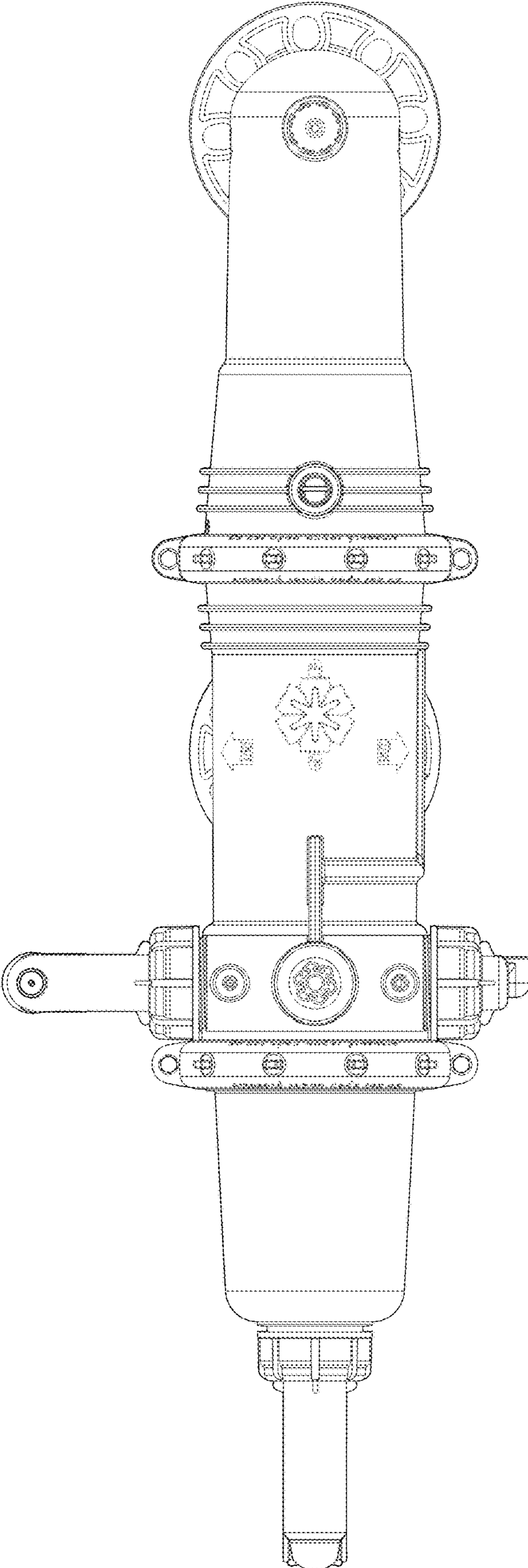


FIG. 4

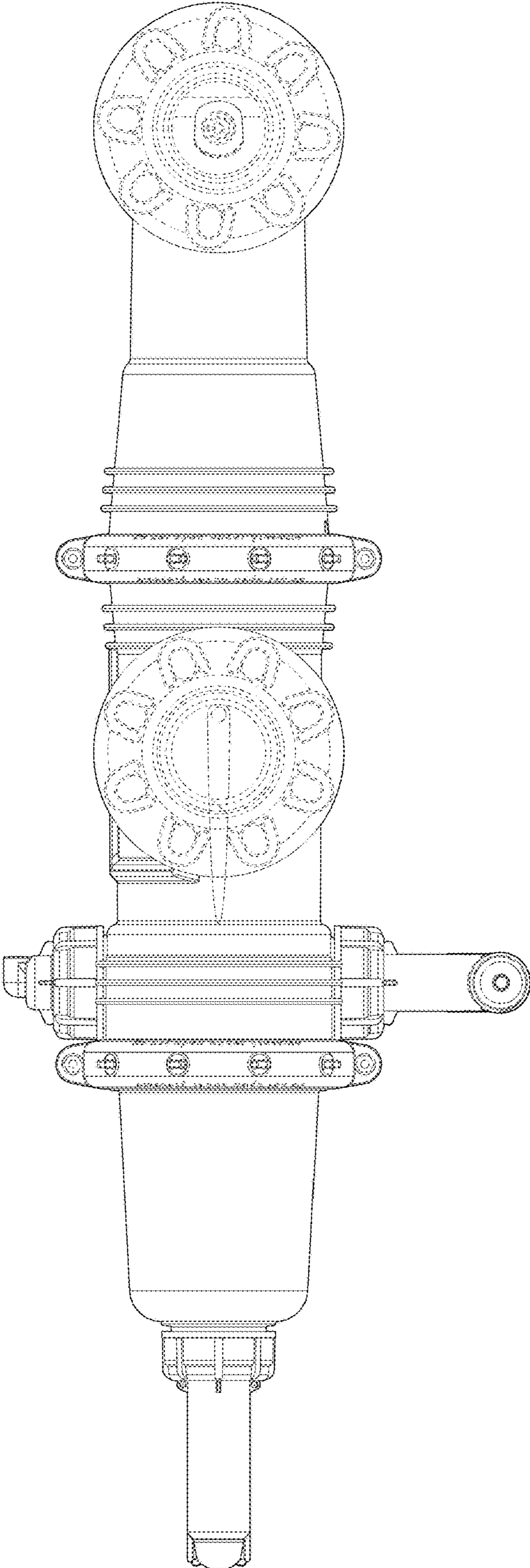


FIG. 5

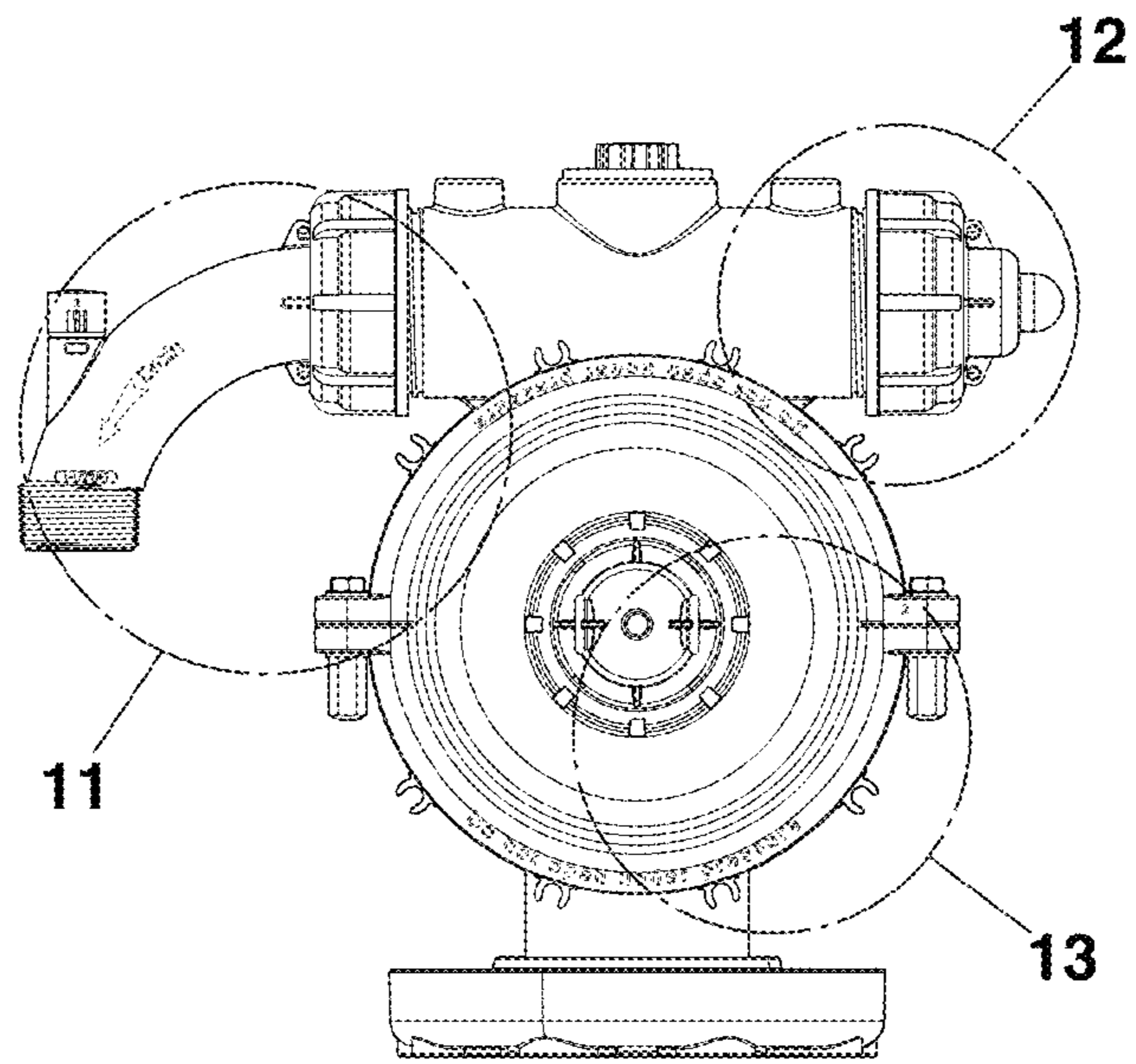


FIG. 6

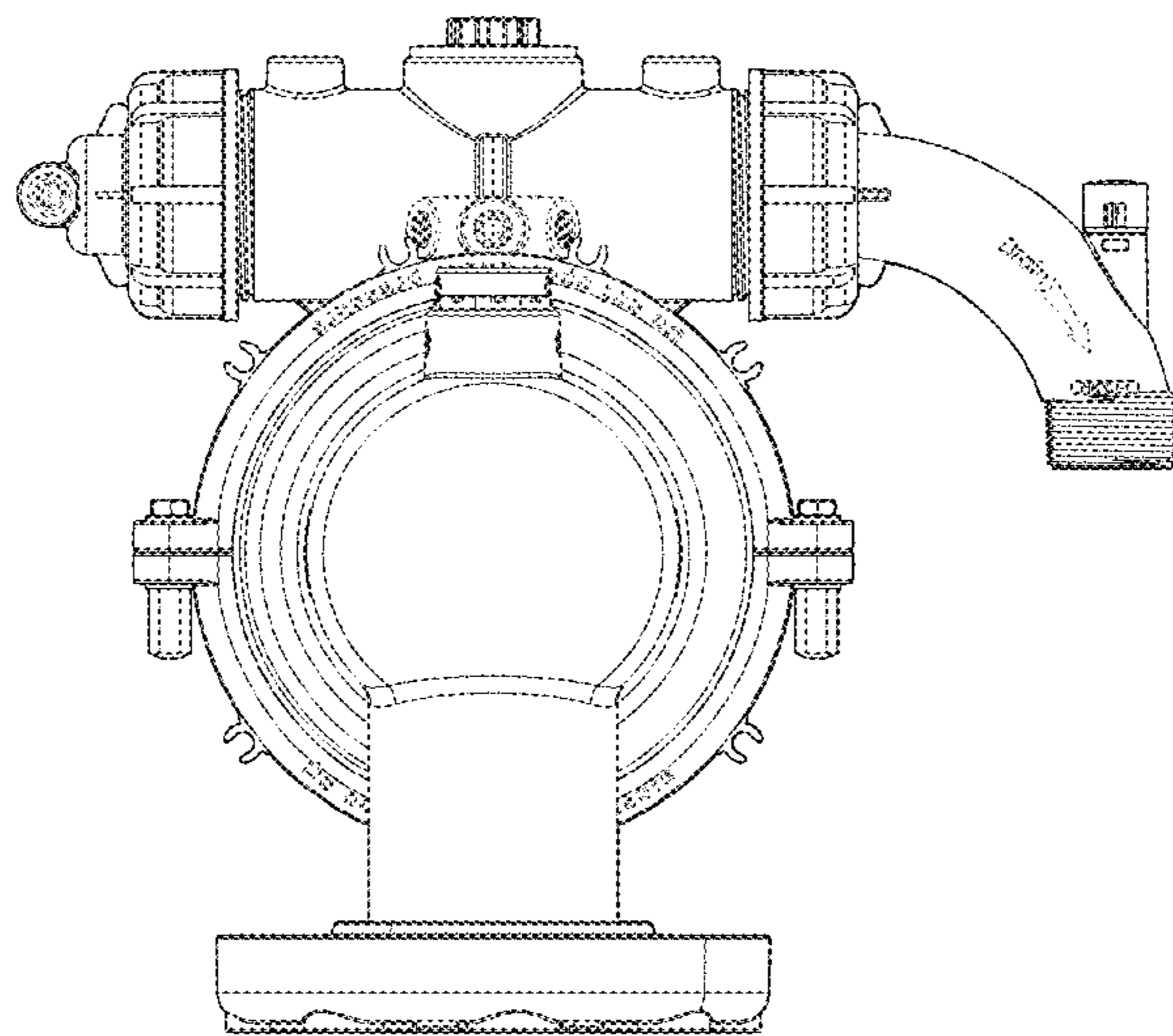


FIG. 7

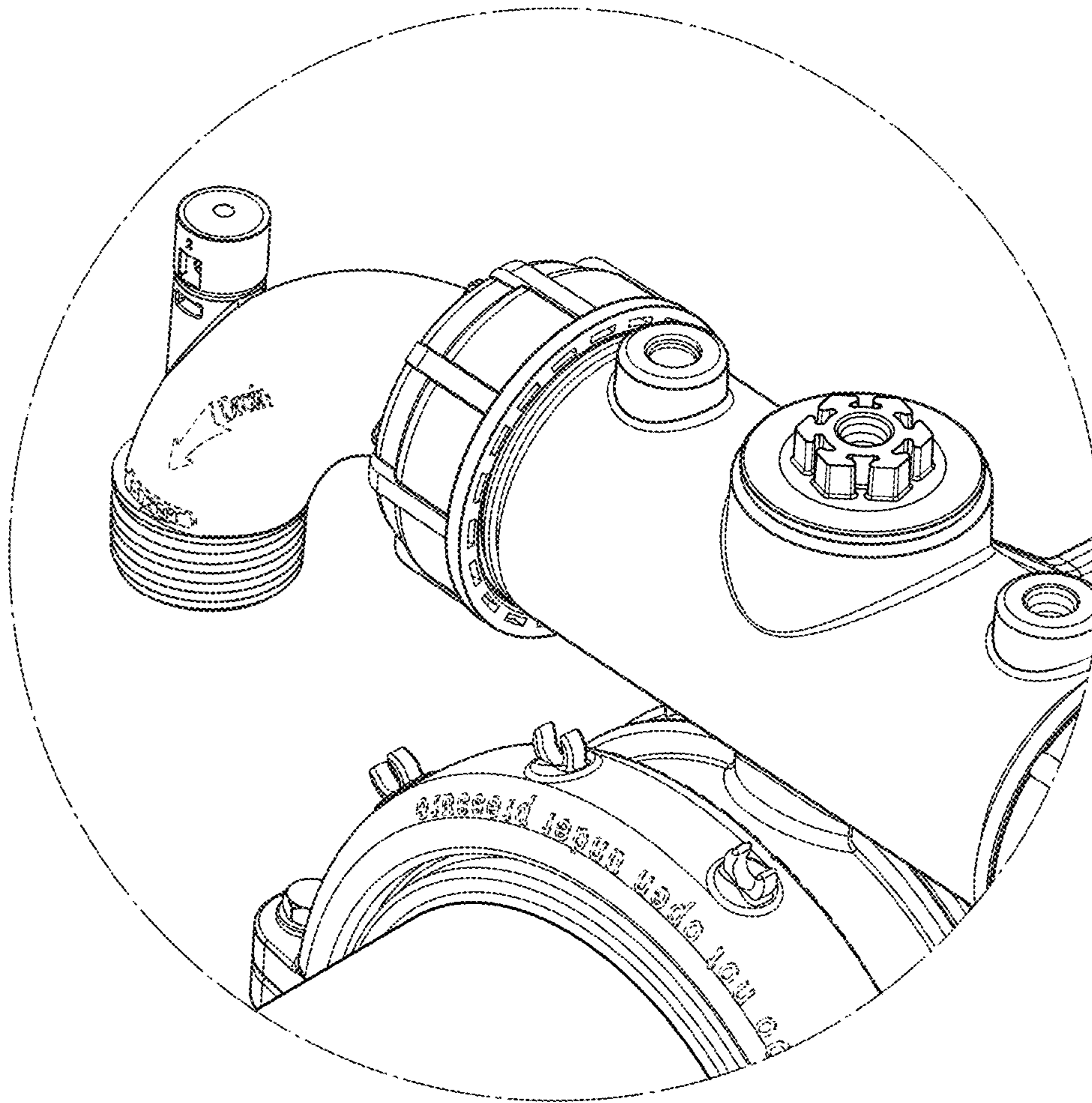


FIG. 8

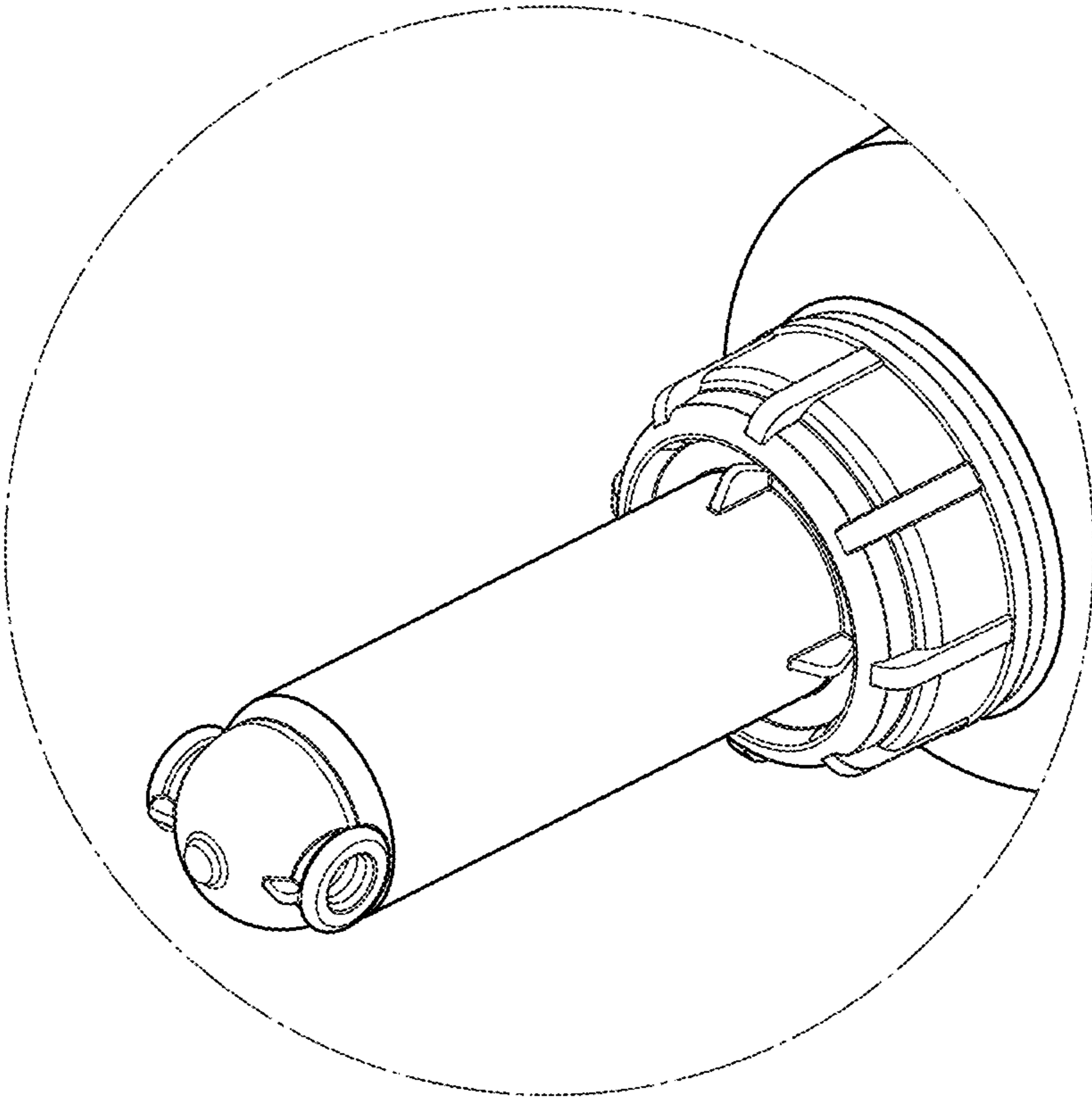


FIG. 9

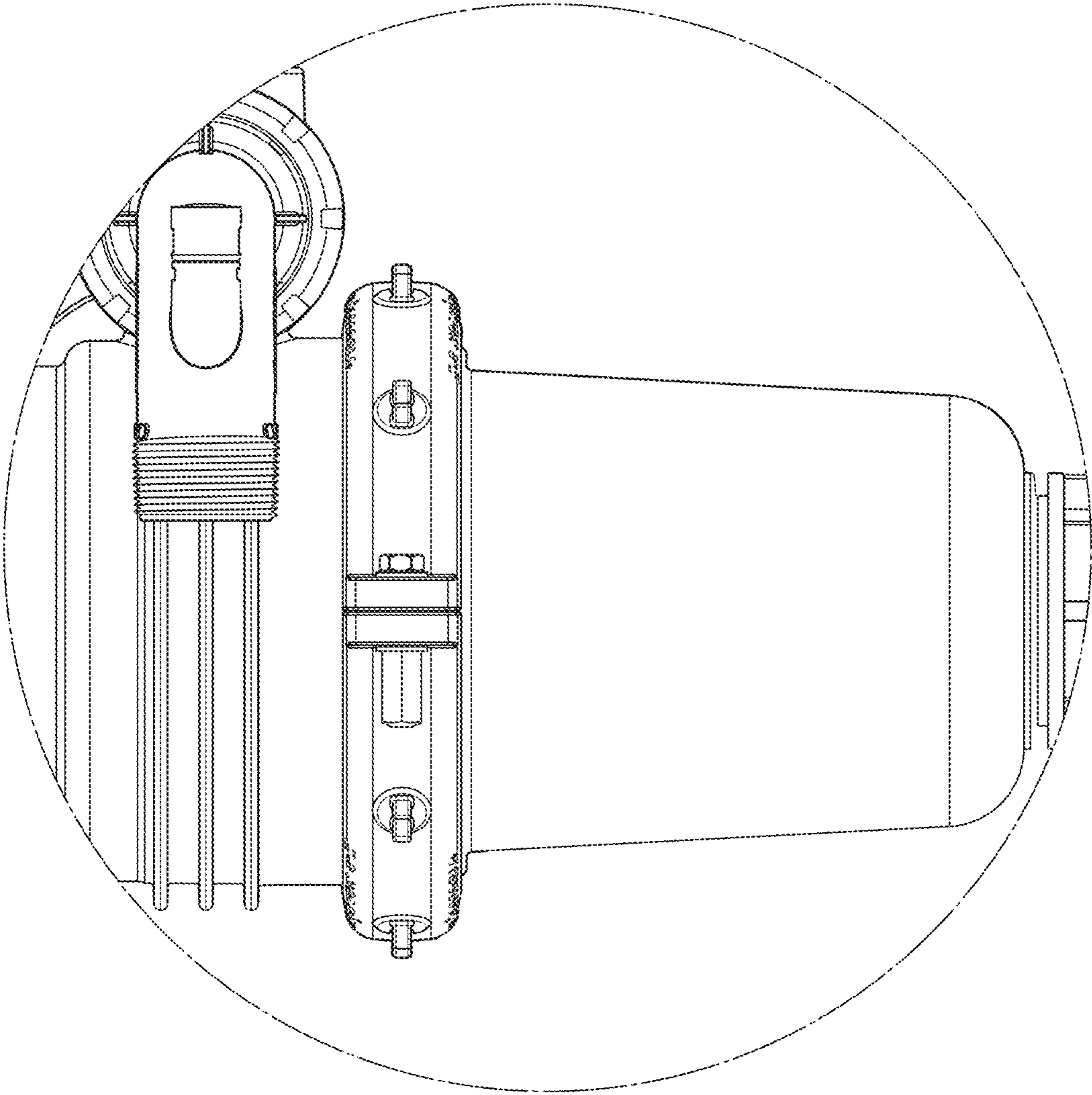


FIG. 10

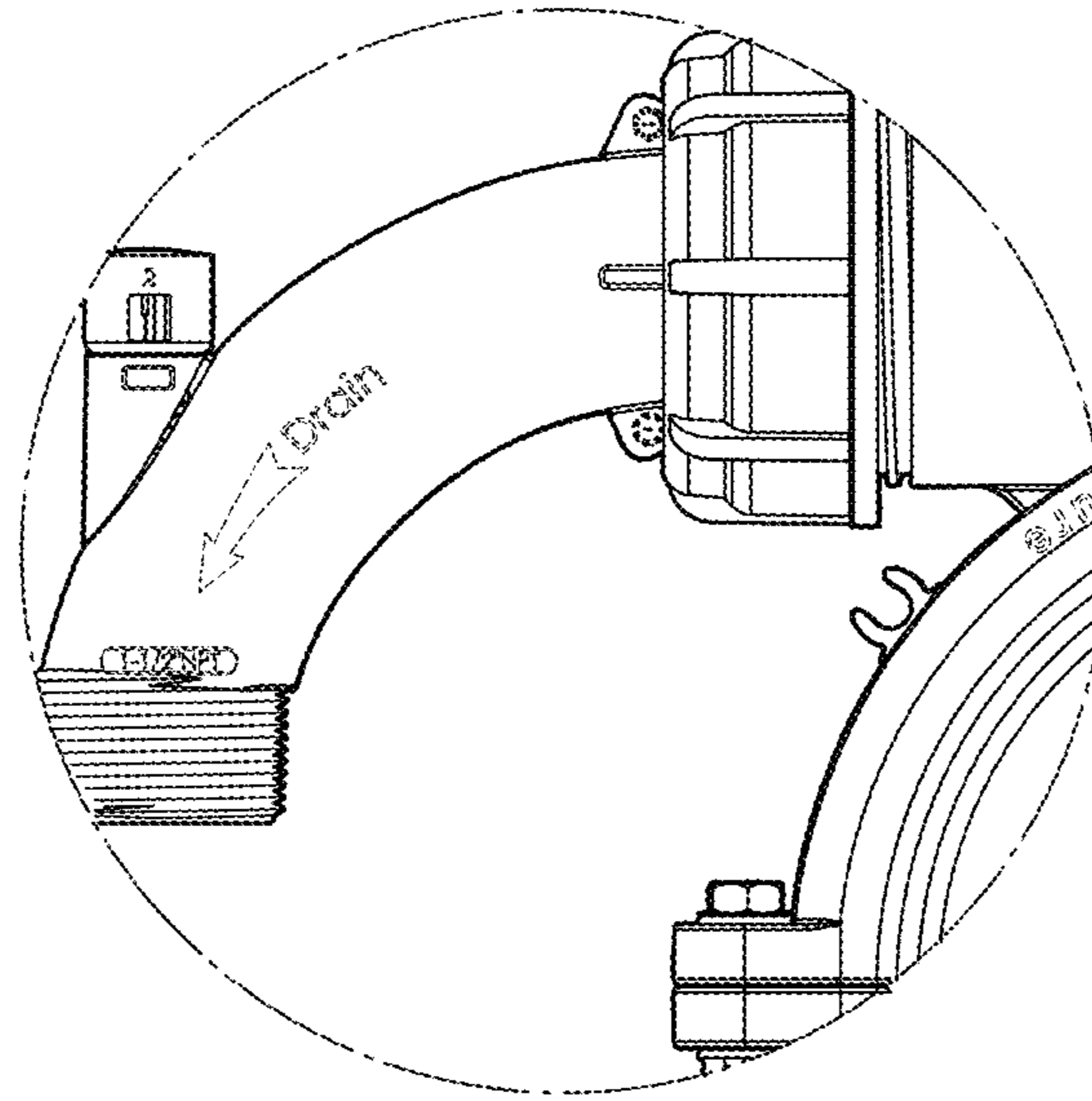


FIG. 11

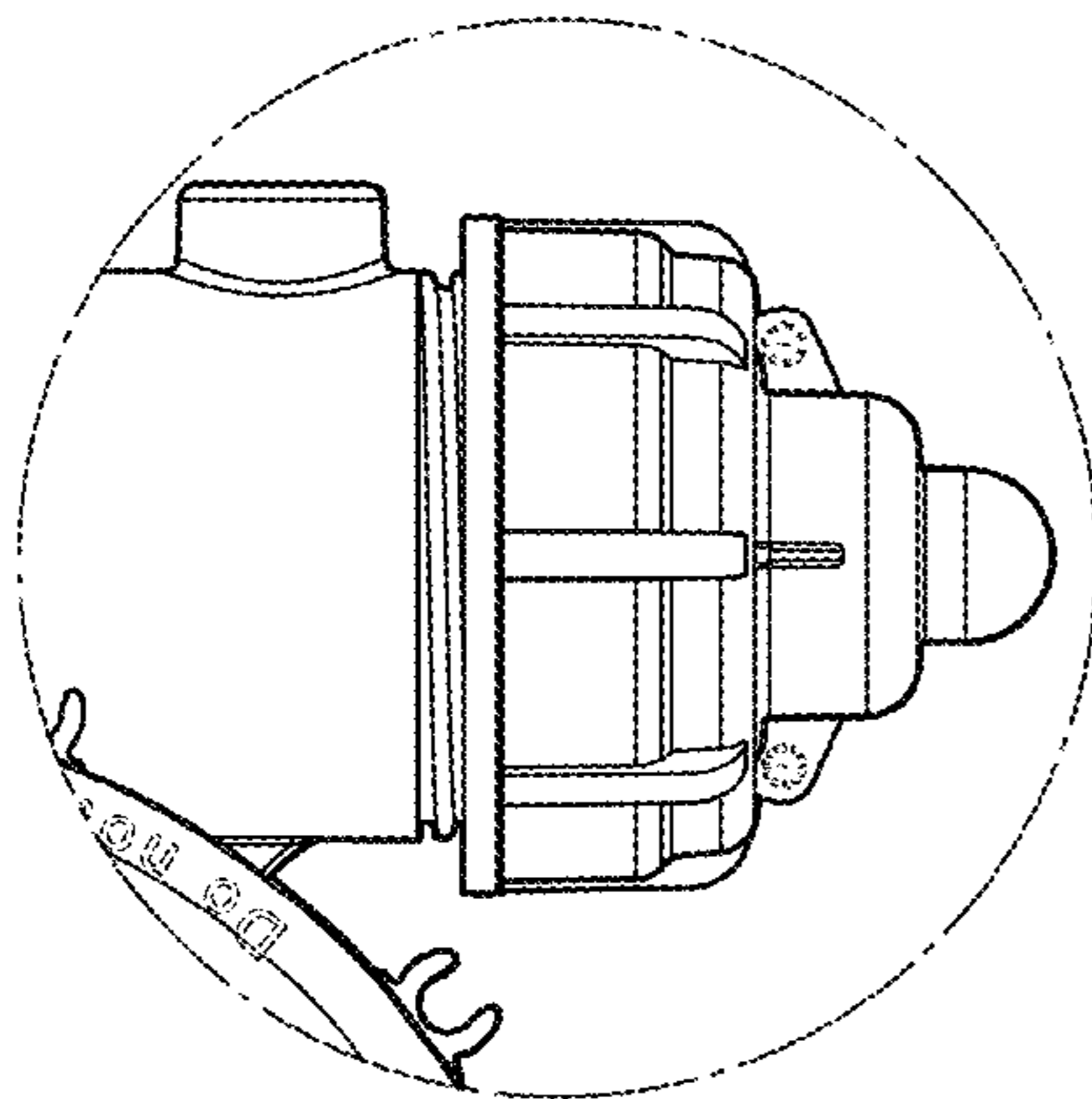


FIG. 12

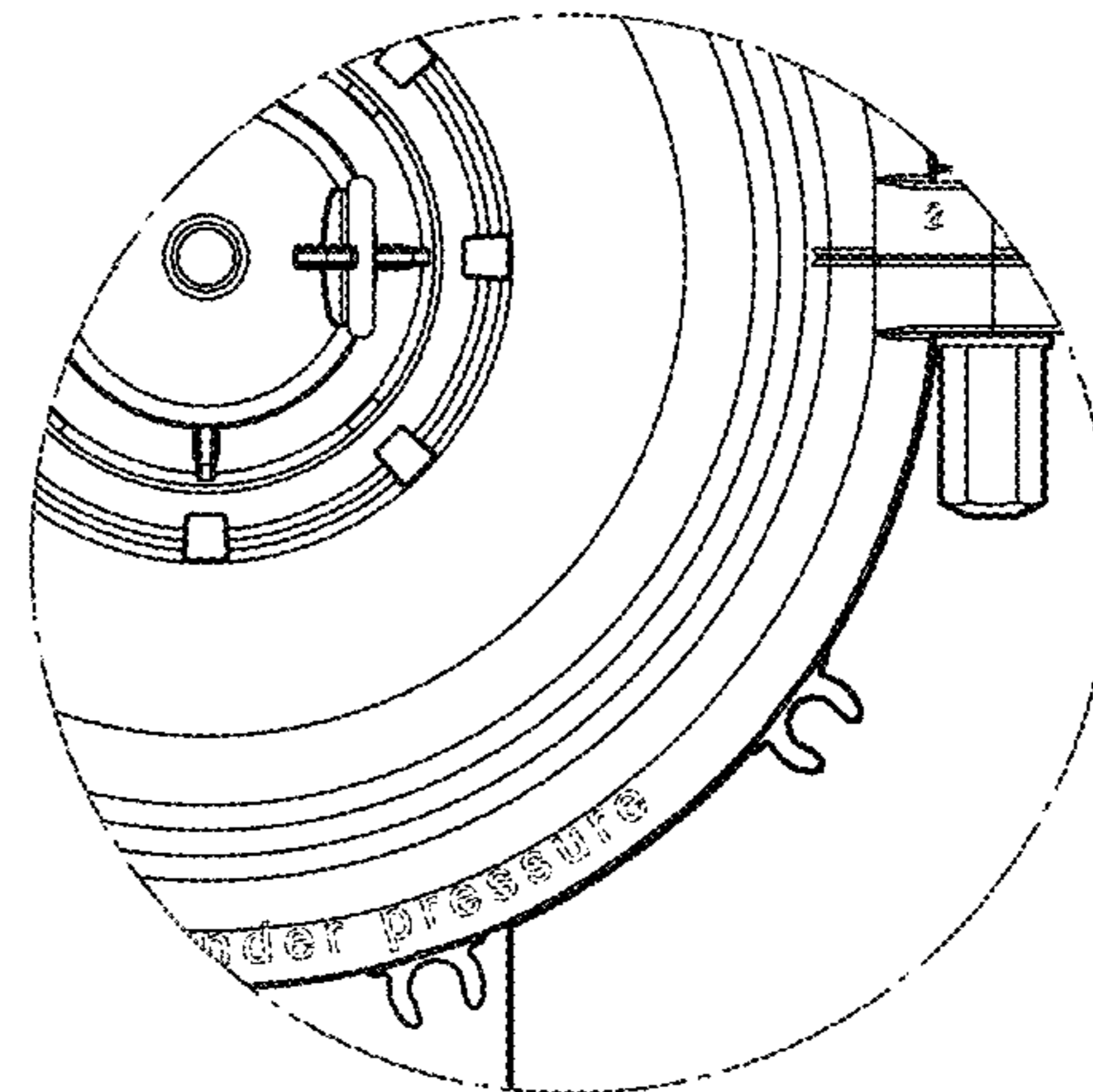


FIG. 13