



US00D907170S

(12) **United States Design Patent**
Lelong et al.

(10) **Patent No.: US D907,170 S**
(45) **Date of Patent: ** *Jan. 5, 2021**

(54) **TANK FOR GASEOUS OR LIQUID SUBSTANCES**

(71) Applicant: **Merck Patent GmbH**, Darmstadt (DE)

(72) Inventors: **Gerald Lelong**, Maintenon (FR);
Pascal Delahaie, la Celle Saint Cloud (FR)

(73) Assignee: **MERCK PATENT GMBH**, Darmstadt (DE)

(*) Notice: This patent is subject to a terminal disclaimer.

(**) Term: **15 Years**

(21) Appl. No.: **29/682,308**

(22) Filed: **Mar. 4, 2019**

(30) **Foreign Application Priority Data**

Sep. 4, 2018 (EM) 005629367-0001

(51) **LOC (13) Cl.** **23-01**

(52) **U.S. Cl.**
USPC **D23/202**

(58) **Field of Classification Search**

USPC D23/201, 202, 206, 211.1, 223–227, 247;
D30/121, 132; D9/436, 501; D12/218
CPC ... A01K 7/00; F17C 2201/01; F17C 2201/03;
F17C 2201/05; F17C 2201/033; F17C
2201/056; F17C 2201/058; F17C
2201/032; F17C 2201/0109; F17C
2201/0119; F17C 2201/0147

See application file for complete search history.

(56) **References Cited**

U.S. PATENT DOCUMENTS

3,860,478 A * 1/1975 Bartlow E04B 1/6809
428/63
4,964,529 A * 10/1990 Houston F17C 13/084
206/523

D380,522 S * 7/1997 Moore D23/206
6,123,187 A * 9/2000 Bartels F17C 13/001
206/0.6
6,263,902 B1 * 7/2001 Booth F17C 1/00
137/264
6,708,990 B1 * 3/2004 Saino B62B 1/264
280/47.24

(Continued)

OTHER PUBLICATIONS

TankDepot.com, 1250 Gallon Elliptical Tank, undated online product page, retrieved Feb. 13, 2020 from <URL:https://www.tank-depot.com/productdetails.aspx?part=A-HE1250-78> (Year: 2020).*

Primary Examiner — Sheryl Lane

Assistant Examiner — Calvin E Vansant

(74) *Attorney, Agent, or Firm* — Edell, Shapiro & Finnan, LLC.

(57) **CLAIM**

The ornamental design for a tank for gaseous or liquid substances, as shown and described.

DESCRIPTION

FIG. 1 is a right side elevation view of a tank for gaseous or liquid substances.

FIG. 2 is a bottom plan view of the tank of FIG. 1.

FIG. 3 is a front elevation view of the tank of FIG. 1.

FIG. 4 is a top plan view of the tank of FIG. 1.

FIG. 5 is a left side elevation view of the tank of FIG. 1.

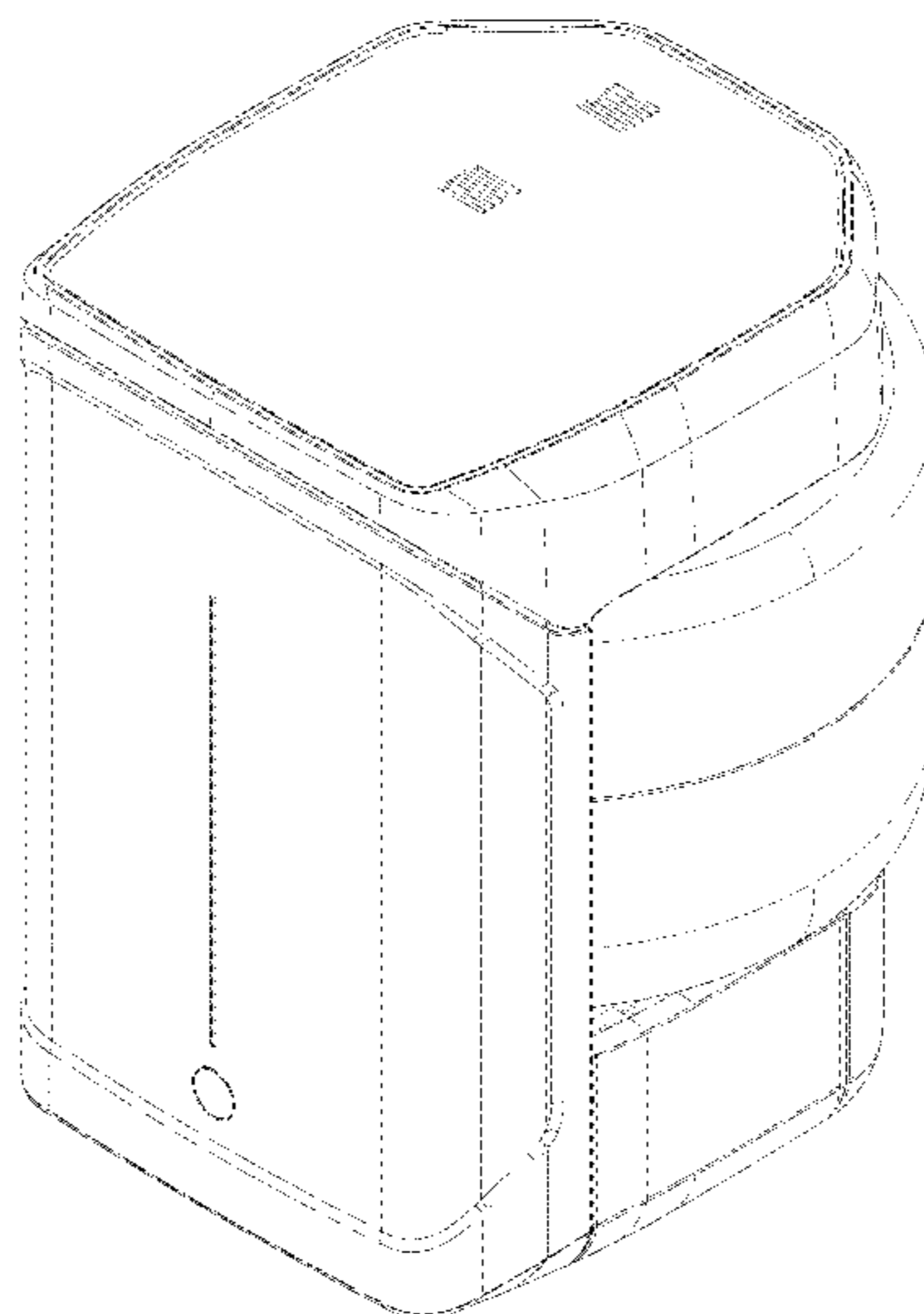
FIG. 6 is a rear elevation view of the tank of FIG. 1.

FIG. 7 is a front, right perspective view from above of the tank of FIG. 1; and,

FIG. 8 is a rear, left perspective view from above of the tank of FIG. 1.

The broken lines showing the bottom of the tank for gaseous or liquid substances are for the purpose of illustrating environmental structure and form no part of the claimed design.

1 Claim, 8 Drawing Sheets



(56)

References Cited

U.S. PATENT DOCUMENTS

D746,942 S * 1/2016 Koppert D23/202
2006/0144843 A1* 7/2006 Vandal F17C 1/02
220/586
2014/0332544 A1* 11/2014 Nolan F17C 13/06
220/731

* cited by examiner

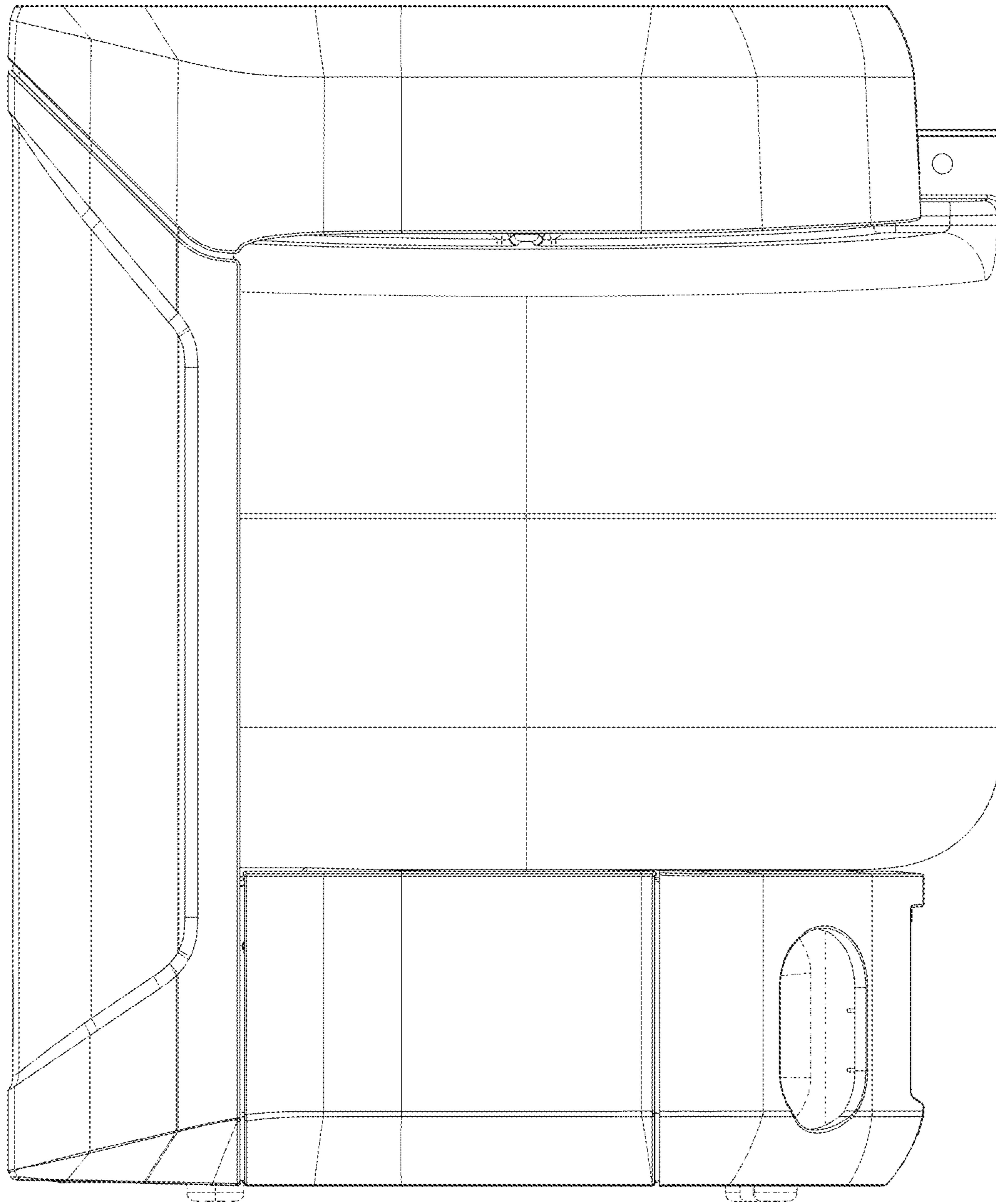


FIG. 1

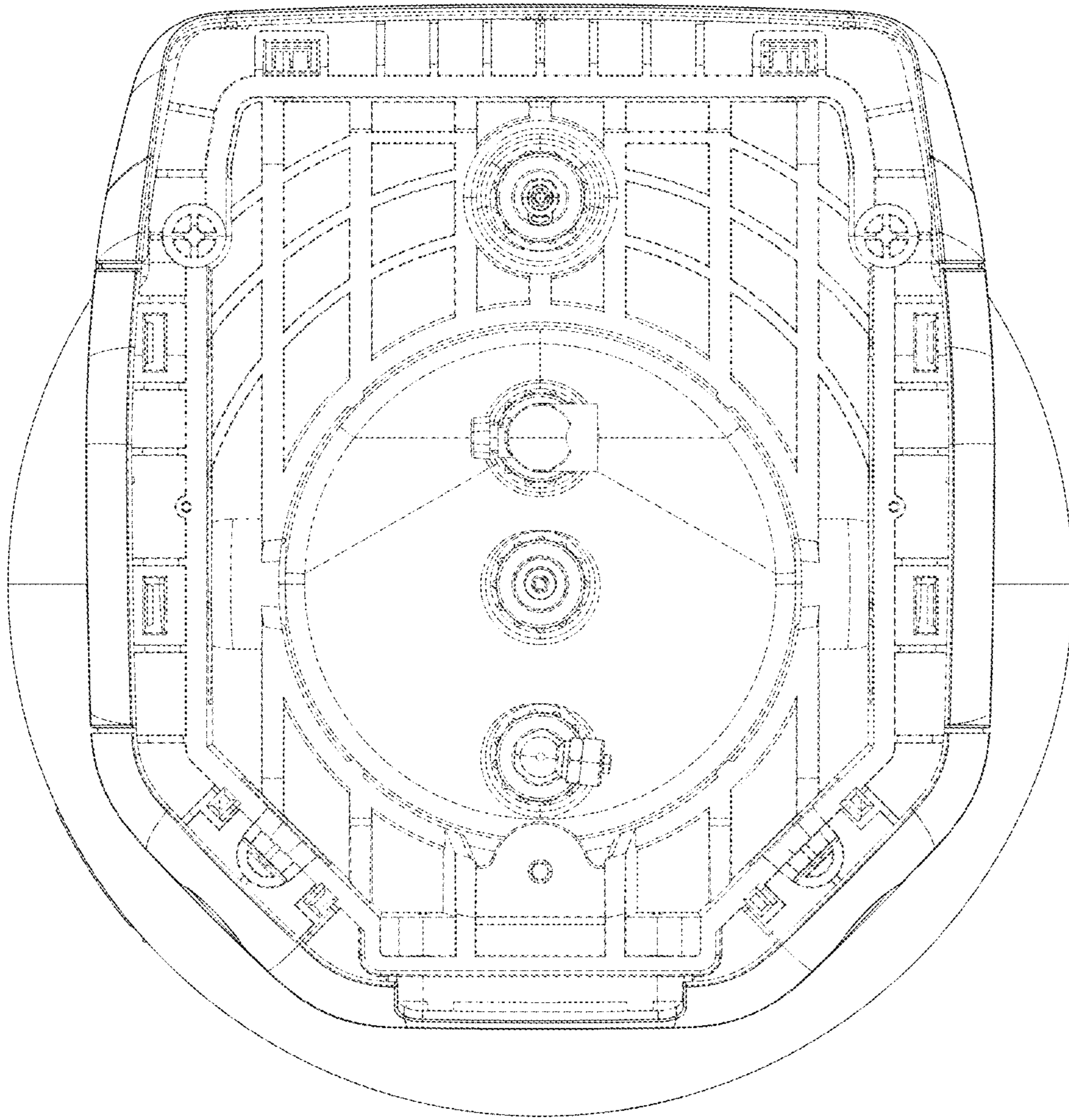


FIG.2

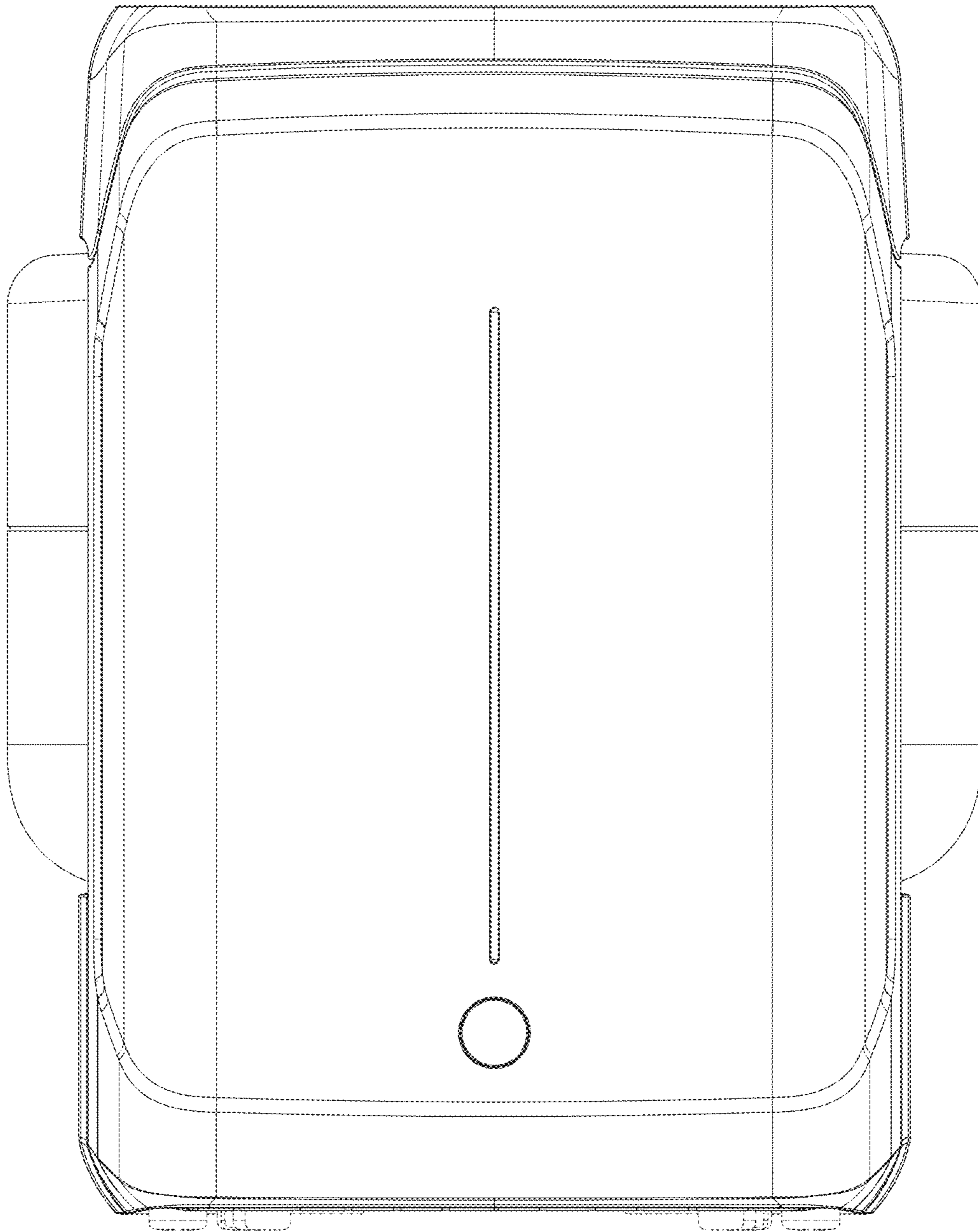


FIG.3

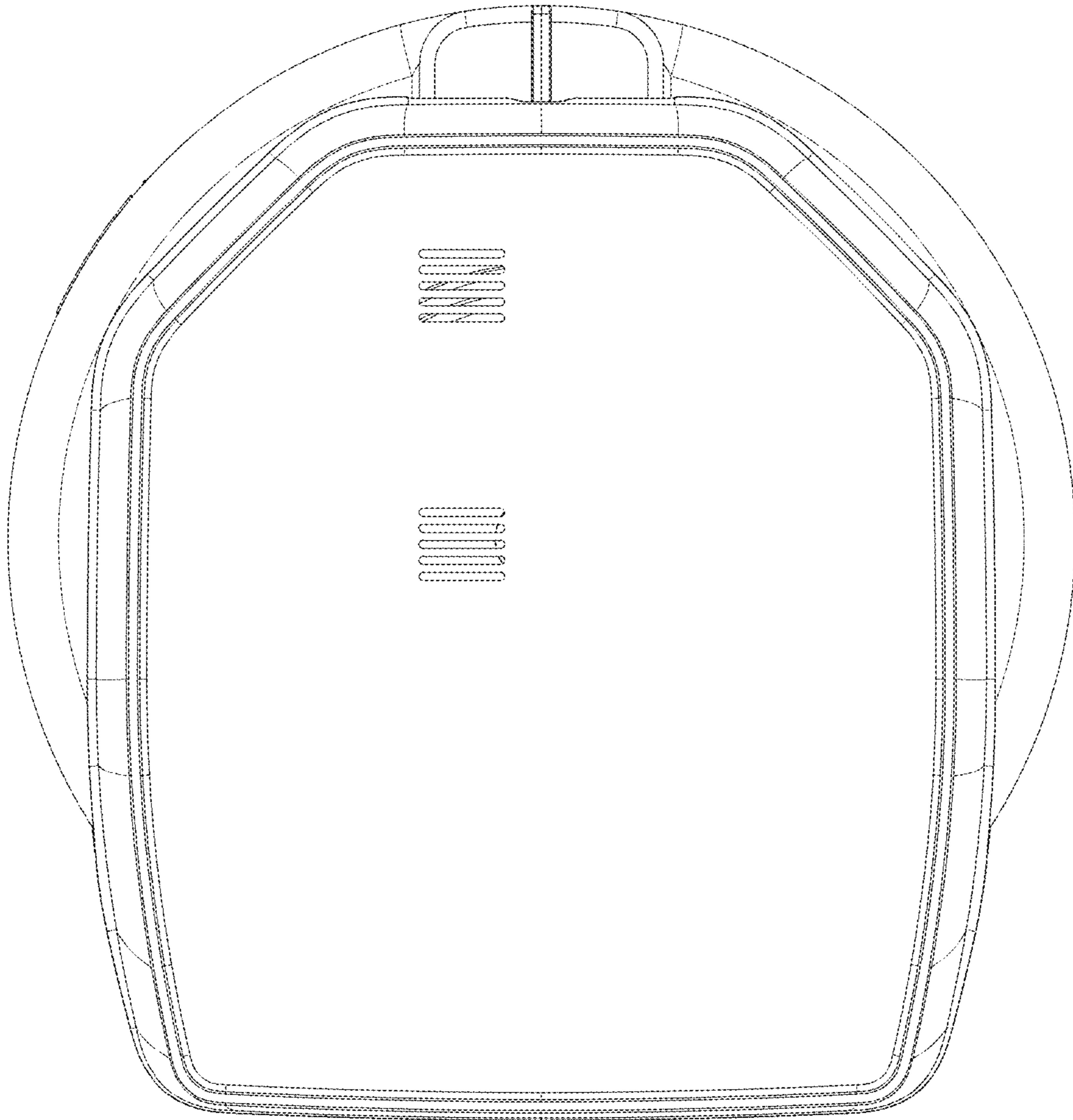


FIG.4

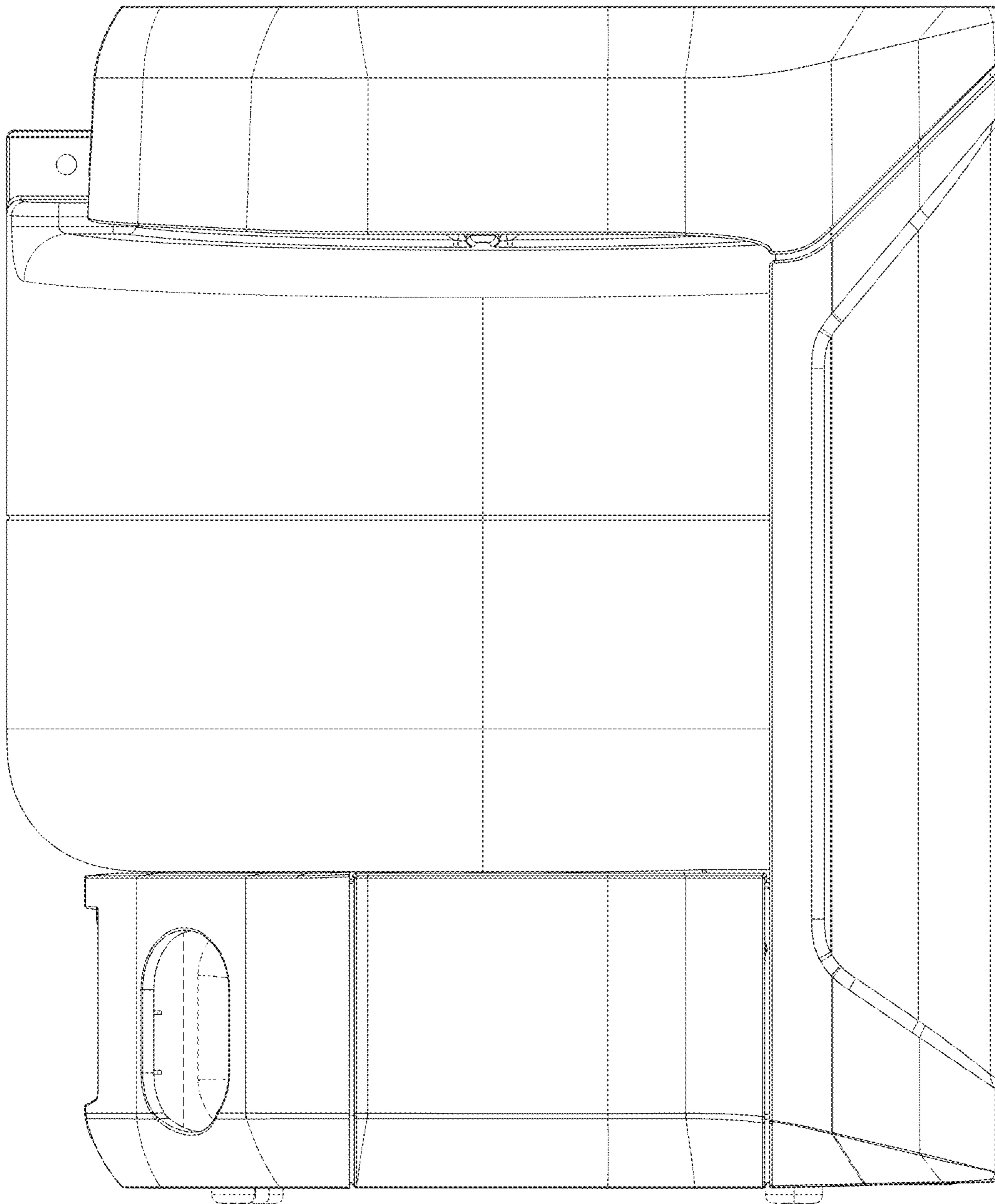


FIG.5

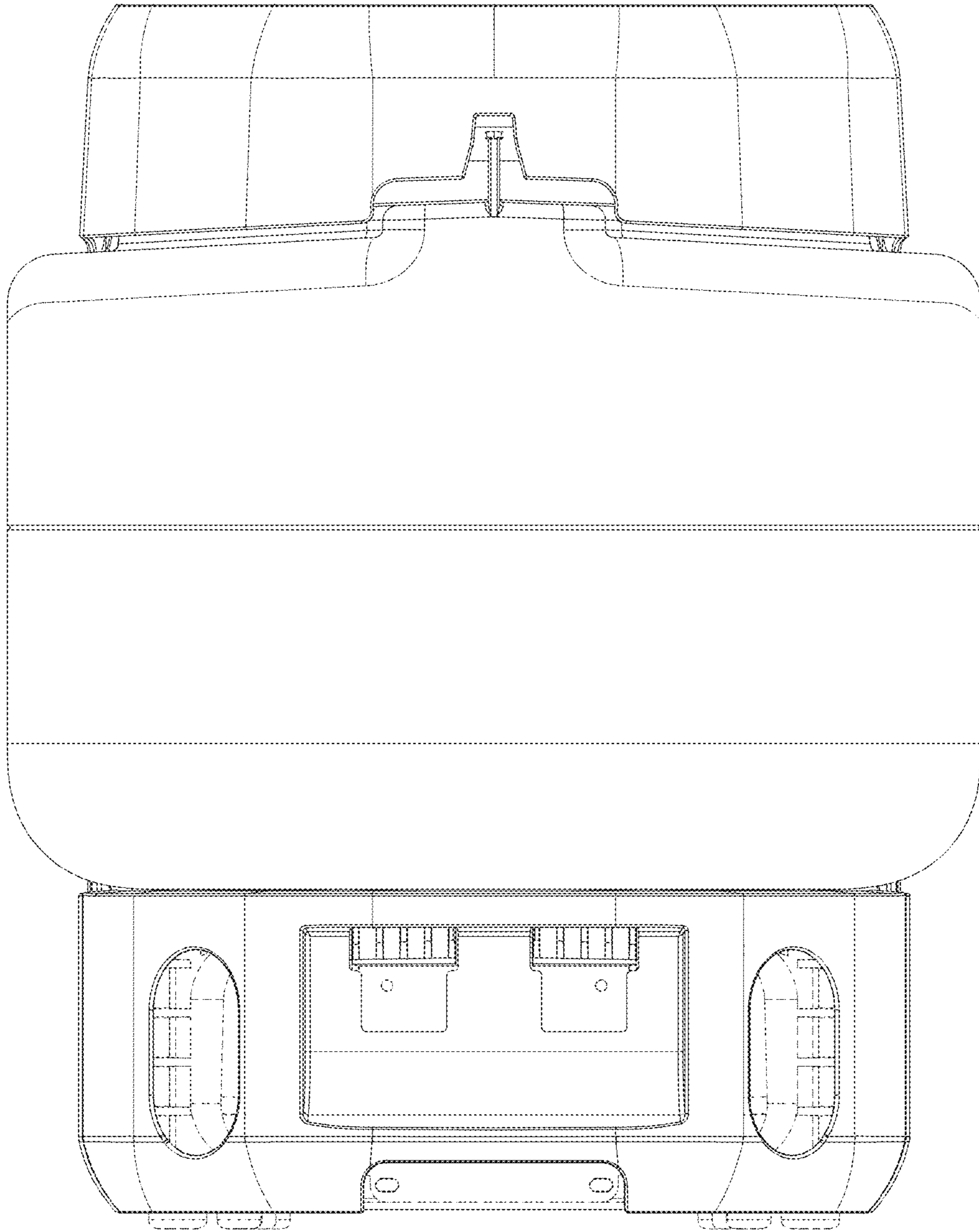


FIG.6

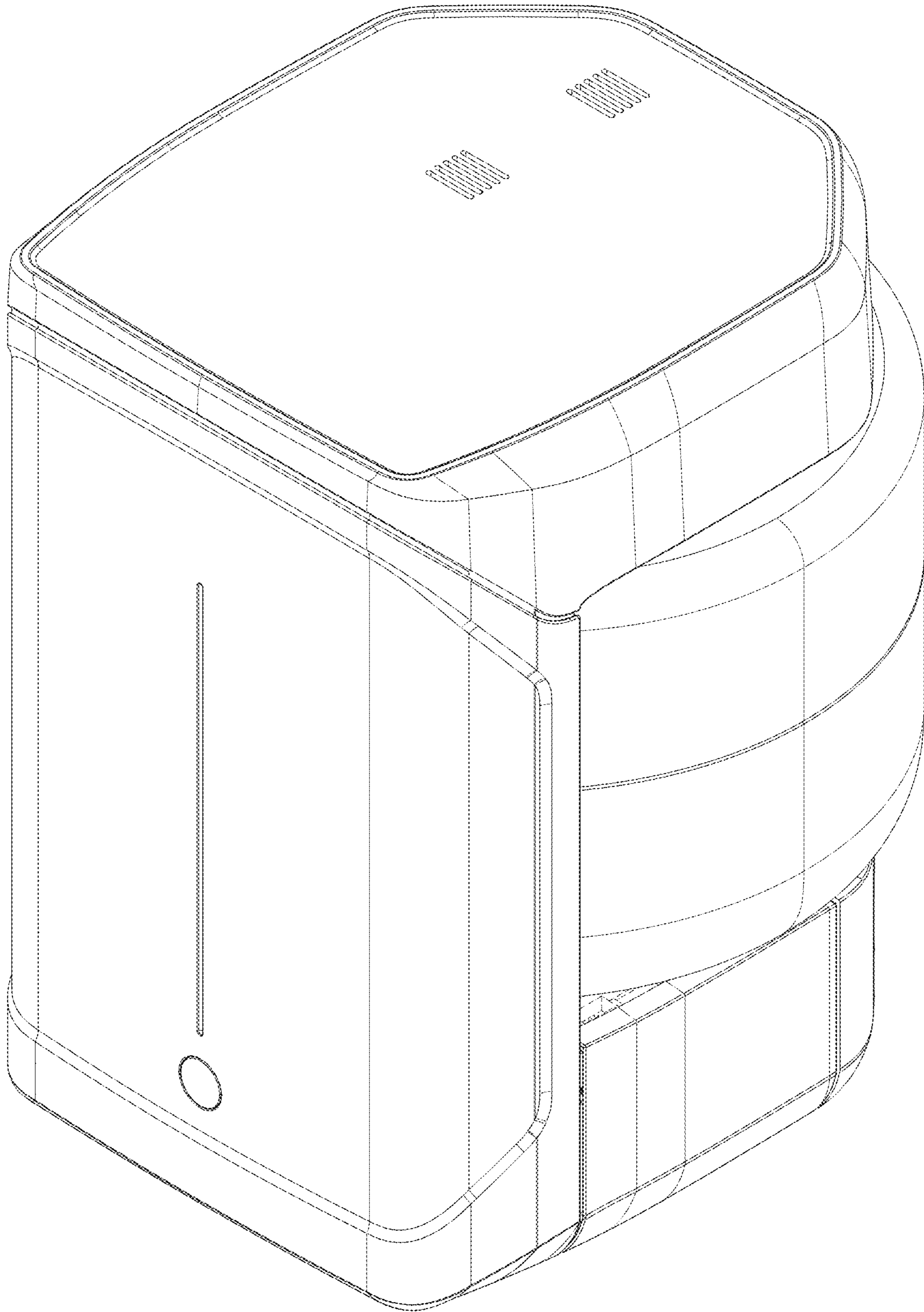


FIG.7

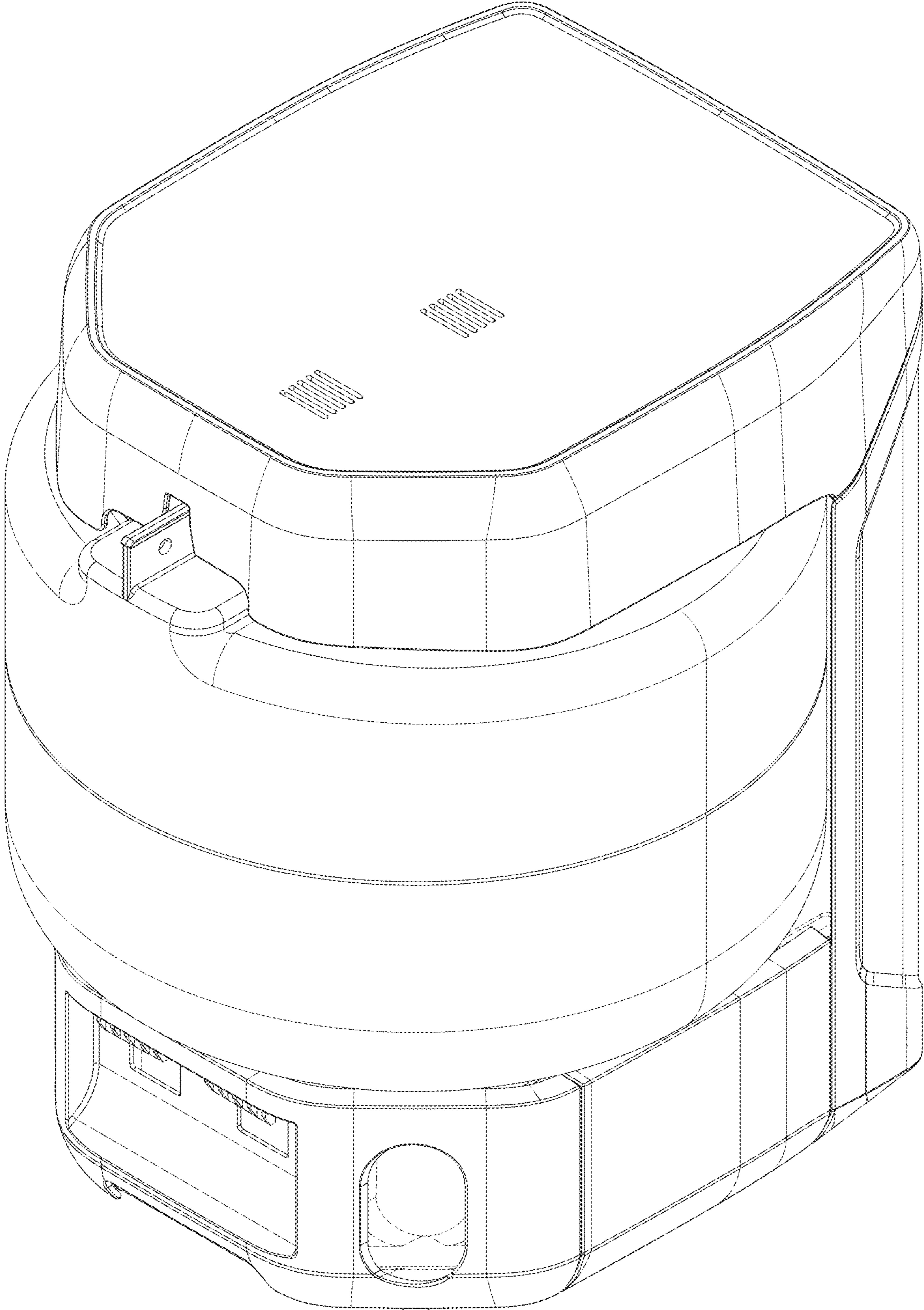


FIG.8