



US00D907169S

(12) **United States Design Patent**  
**Furuya**

(10) **Patent No.:** **US D907,169 S**

(45) **Date of Patent:** **\*\* \*Jan. 5, 2021**

- (54) **FISHING REEL**
- (71) Applicant: **Shimano Inc.**, Osaka (JP)
- (72) Inventor: **Nobuo Furuya**, Osaka (JP)
- (73) Assignee: **Shimano Inc.**, Osaka (JP)

- D685,055 S 6/2013 Deguchi
- D723,655 S 3/2015 Deguchi et al.
- D767,085 S 9/2016 Nago
- D776,785 S \* 1/2017 Nagai ..... D22/141
- D846,062 S 4/2019 Deguchi
- D872,223 S \* 1/2020 Deguchi ..... D22/141

\* cited by examiner

(\* ) Notice: This patent is subject to a terminal disclaimer.

*Primary Examiner* — Catherine R Oliver-Garcia  
(74) *Attorney, Agent, or Firm* — Global IP Counselors, LLP

(\*\*) Term: **15 Years**

(57) **CLAIM**

(21) Appl. No.: **29/695,343**

An ornamental design for a fishing reel, as shown and described.

(22) Filed: **Jun. 18, 2019**

**DESCRIPTION**

(30) **Foreign Application Priority Data**

Feb. 27, 2019 (JP) ..... 2019-004010

(51) **LOC (13) Cl.** ..... **22-05**

(52) **U.S. Cl.**  
USPC ..... **D22/141**

(58) **Field of Classification Search**  
USPC ..... D22/140–141; 242/223–224, 227–230,  
242/234–240, 243, 283, 295, 310–318,  
242/322, 370; 43/19–22  
CPC ..... A01K 89/00; F41B 5/1484  
See application file for complete search history.

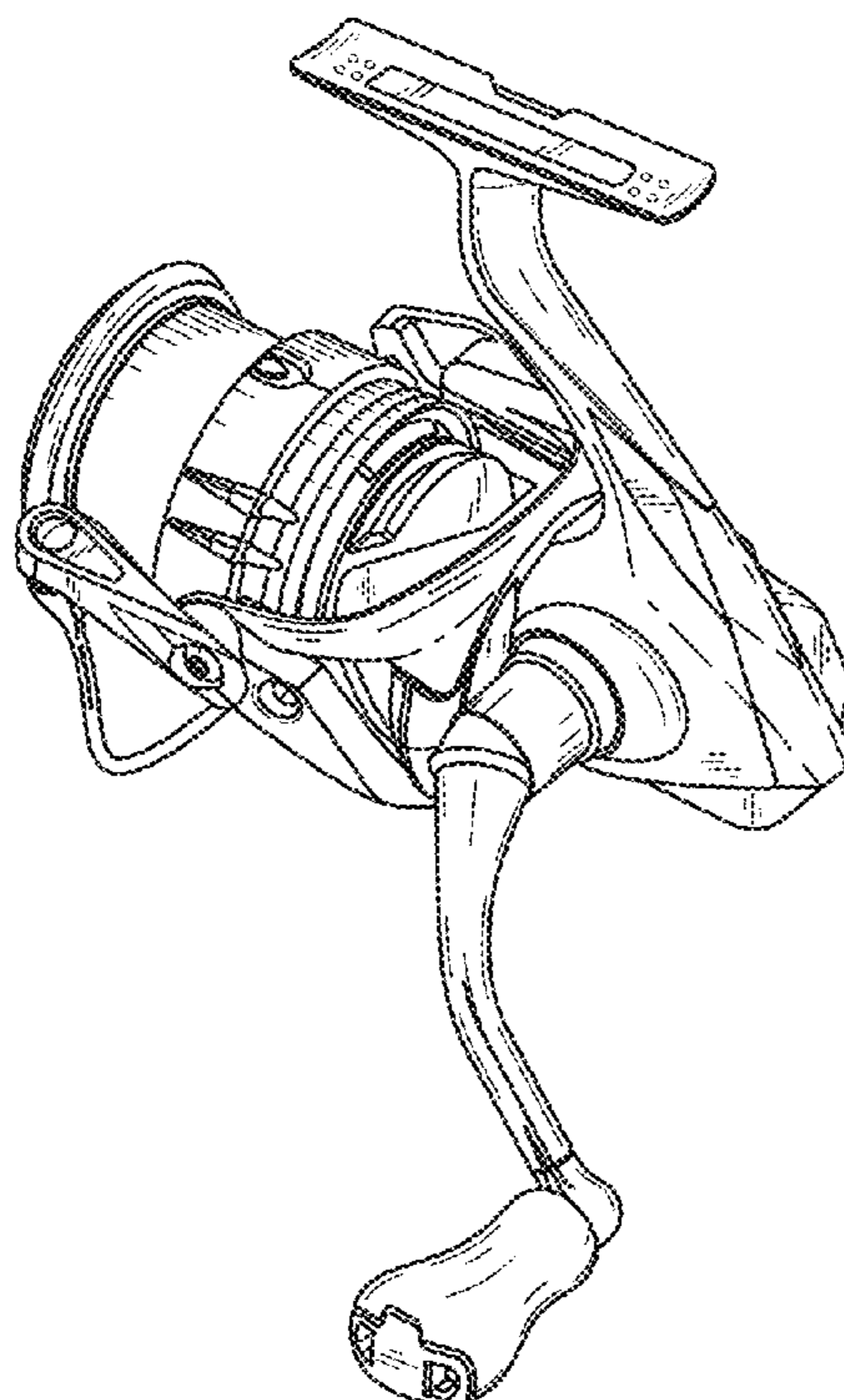
FIG. 1 is a first perspective view of a fishing reel in accordance with my new design;  
FIG. 2 is a second perspective view of the fishing reel illustrated in FIG. 1;  
FIG. 3 is a first side elevational view of the fishing reel illustrated in FIG. 1;  
FIG. 4 is a second side elevational view of the fishing reel illustrated in FIG. 1;  
FIG. 5 is a top plan view of the fishing reel illustrated in FIG. 1;  
FIG. 6 is a bottom plan view of the fishing reel illustrated in FIG. 1;  
FIG. 7 is a rear elevational view of the fishing reel illustrated in FIG. 1; and,  
FIG. 8 is a front elevational view of the fishing reel illustrated in FIG. 1.

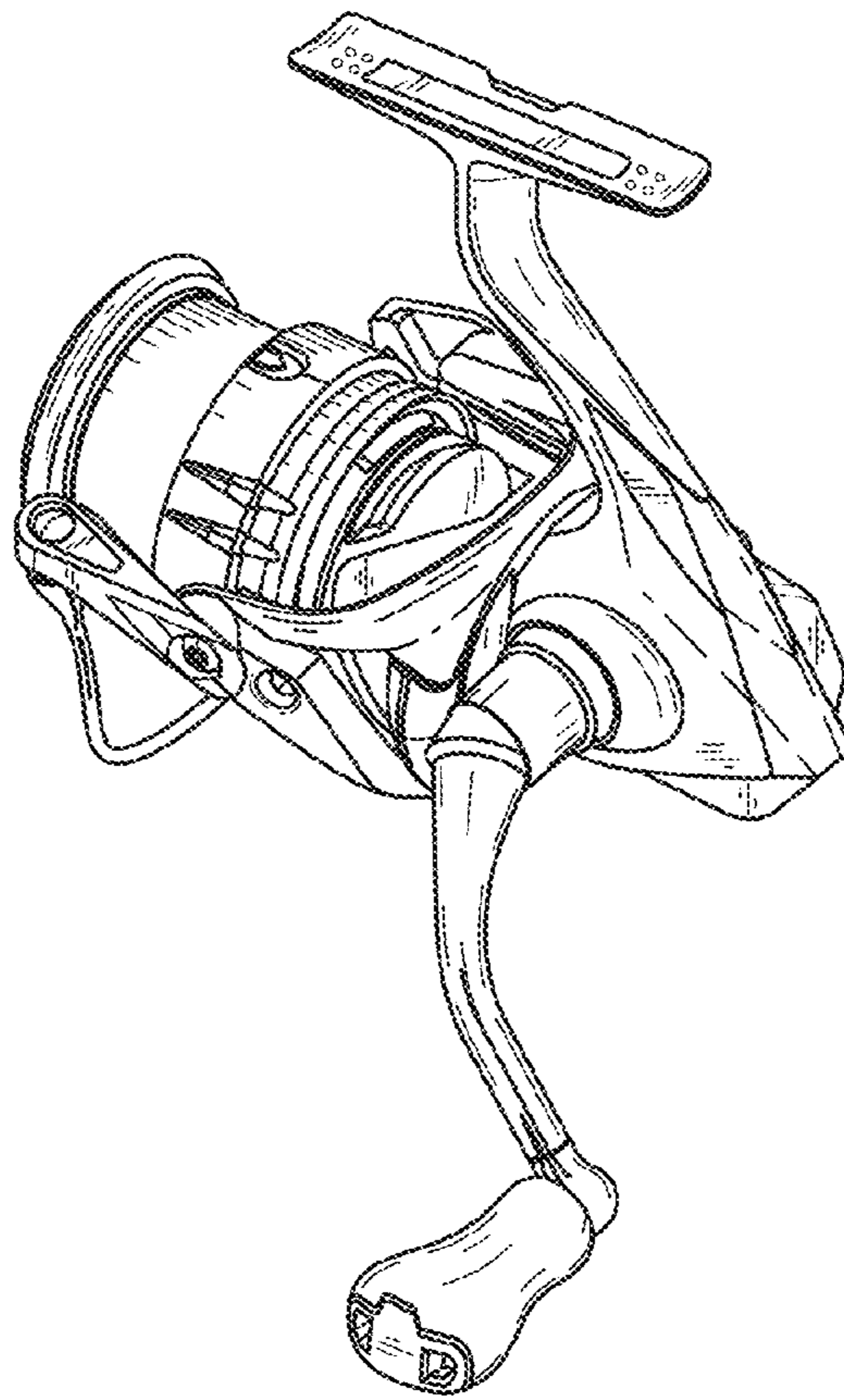
(56) **References Cited**

**U.S. PATENT DOCUMENTS**

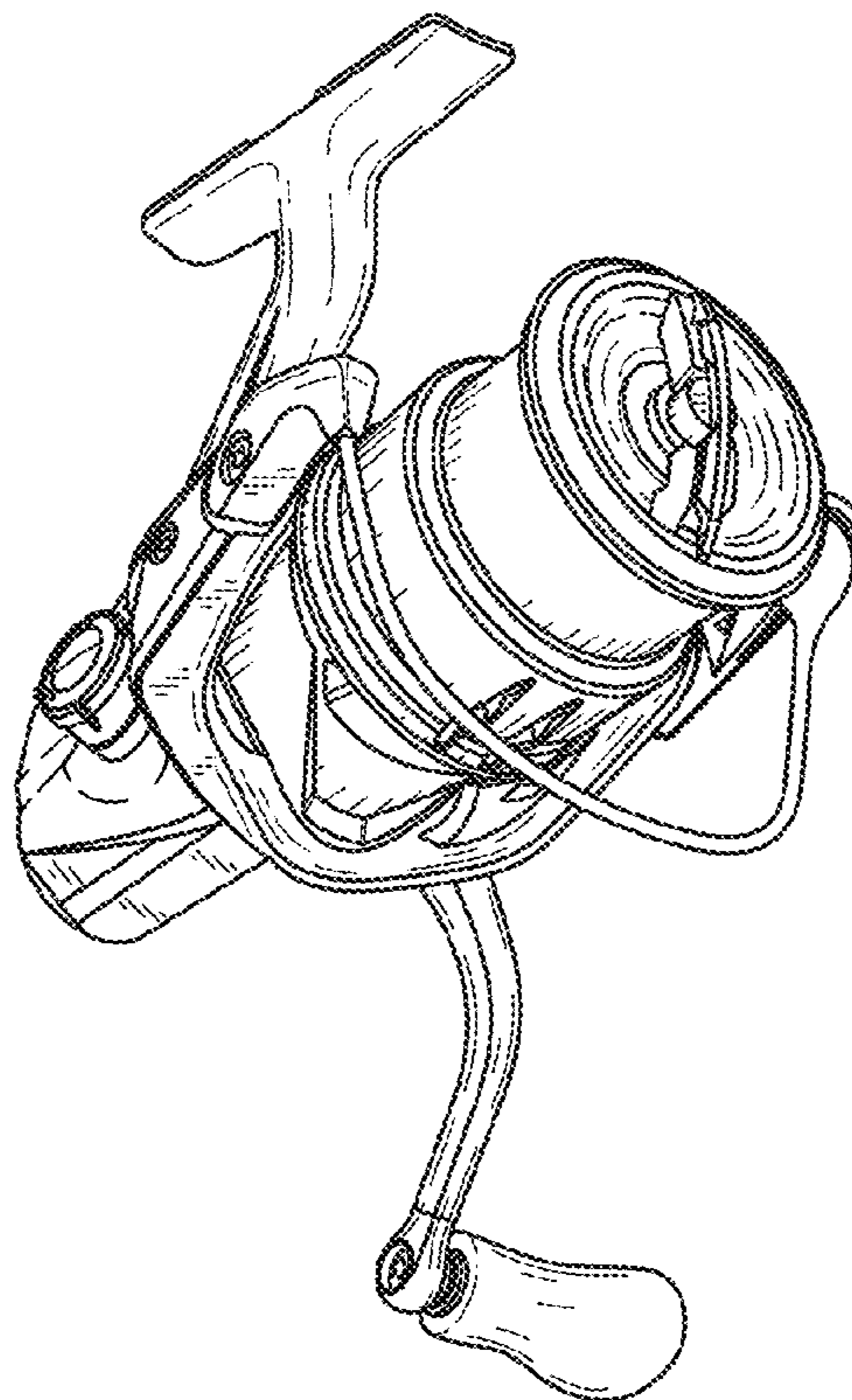
- D424,657 S \* 5/2000 Kang ..... D22/141
- D627,417 S 11/2010 Nago

**1 Claim, 4 Drawing Sheets**

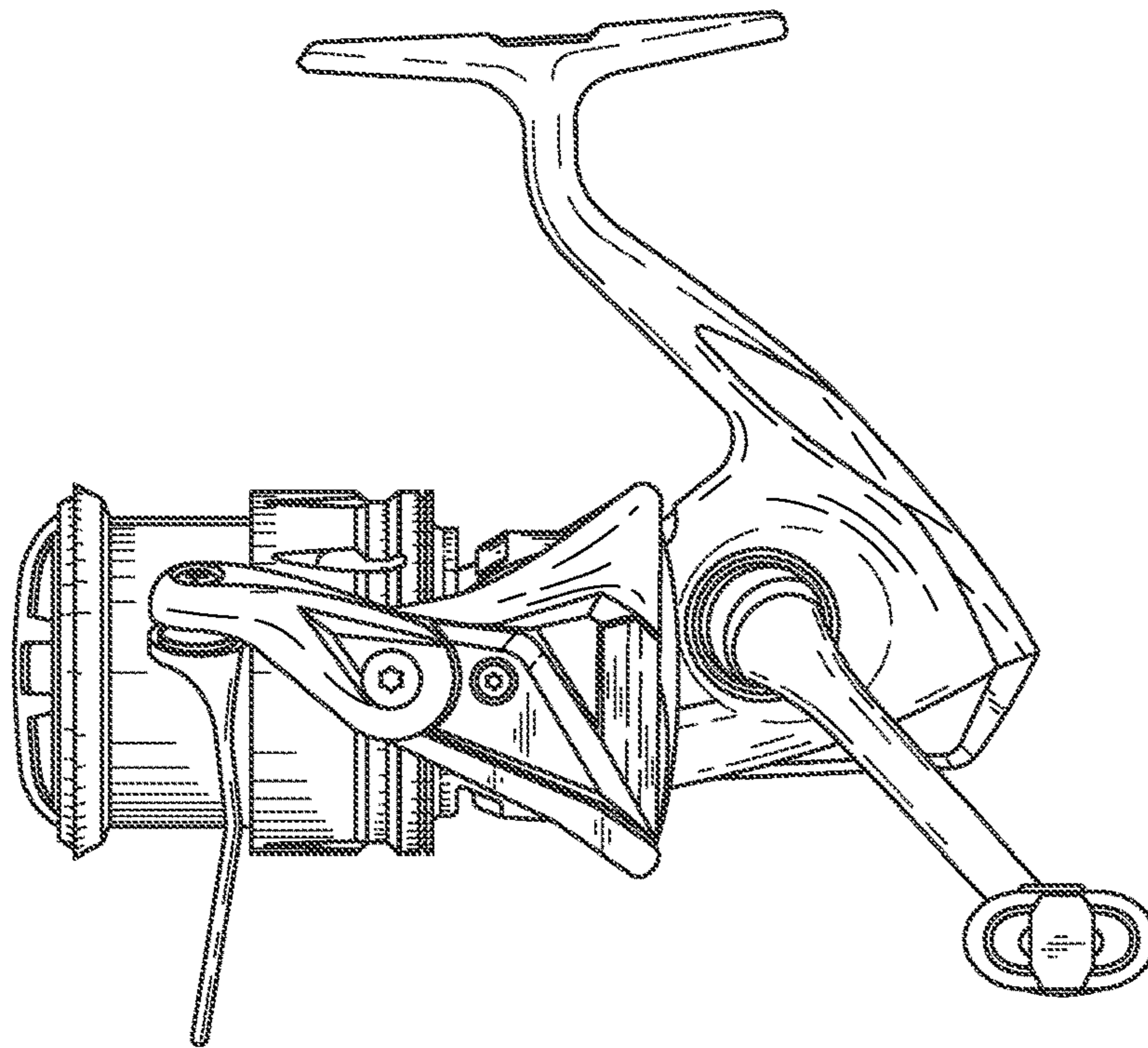




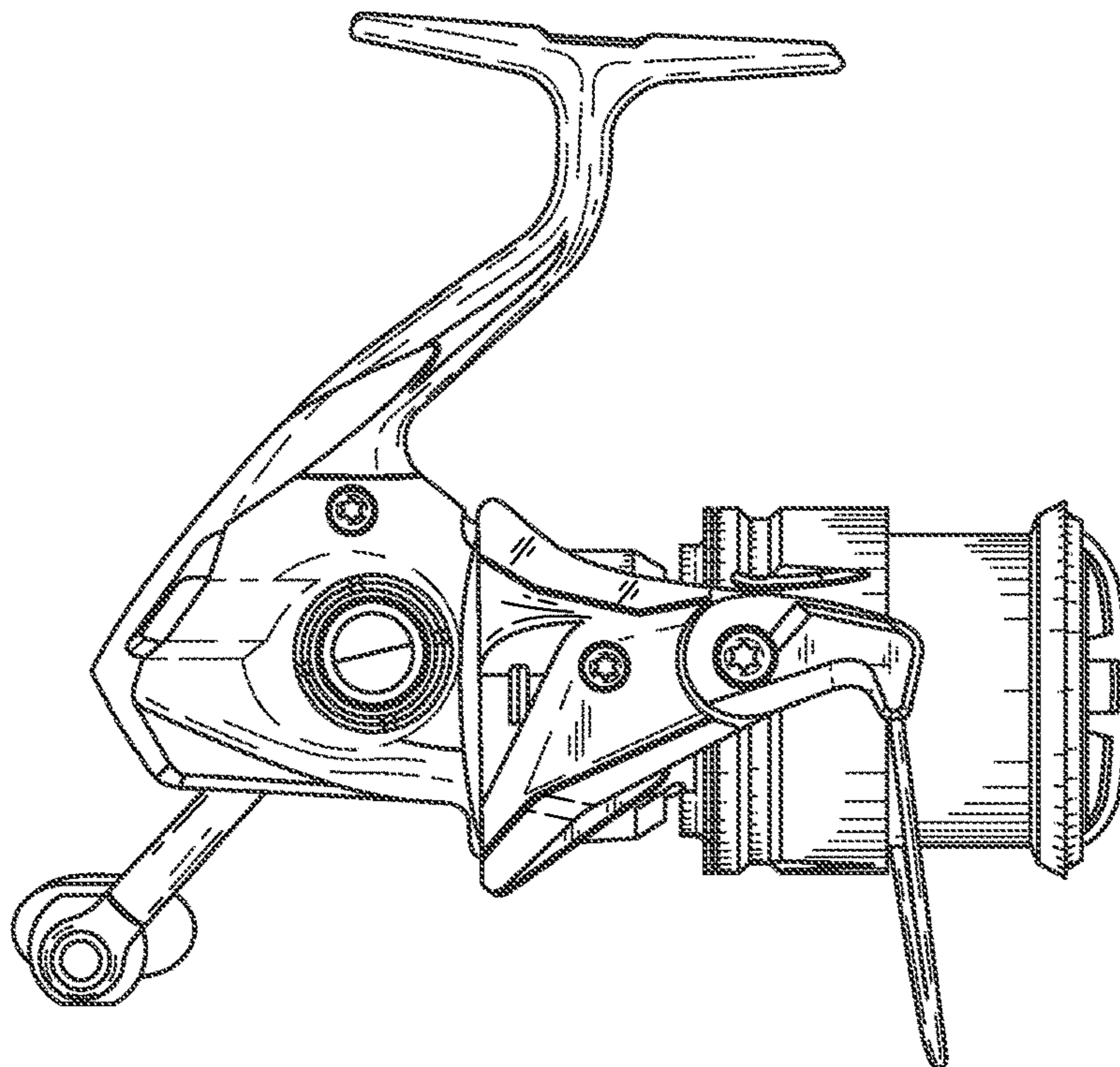
**FIG. 1**



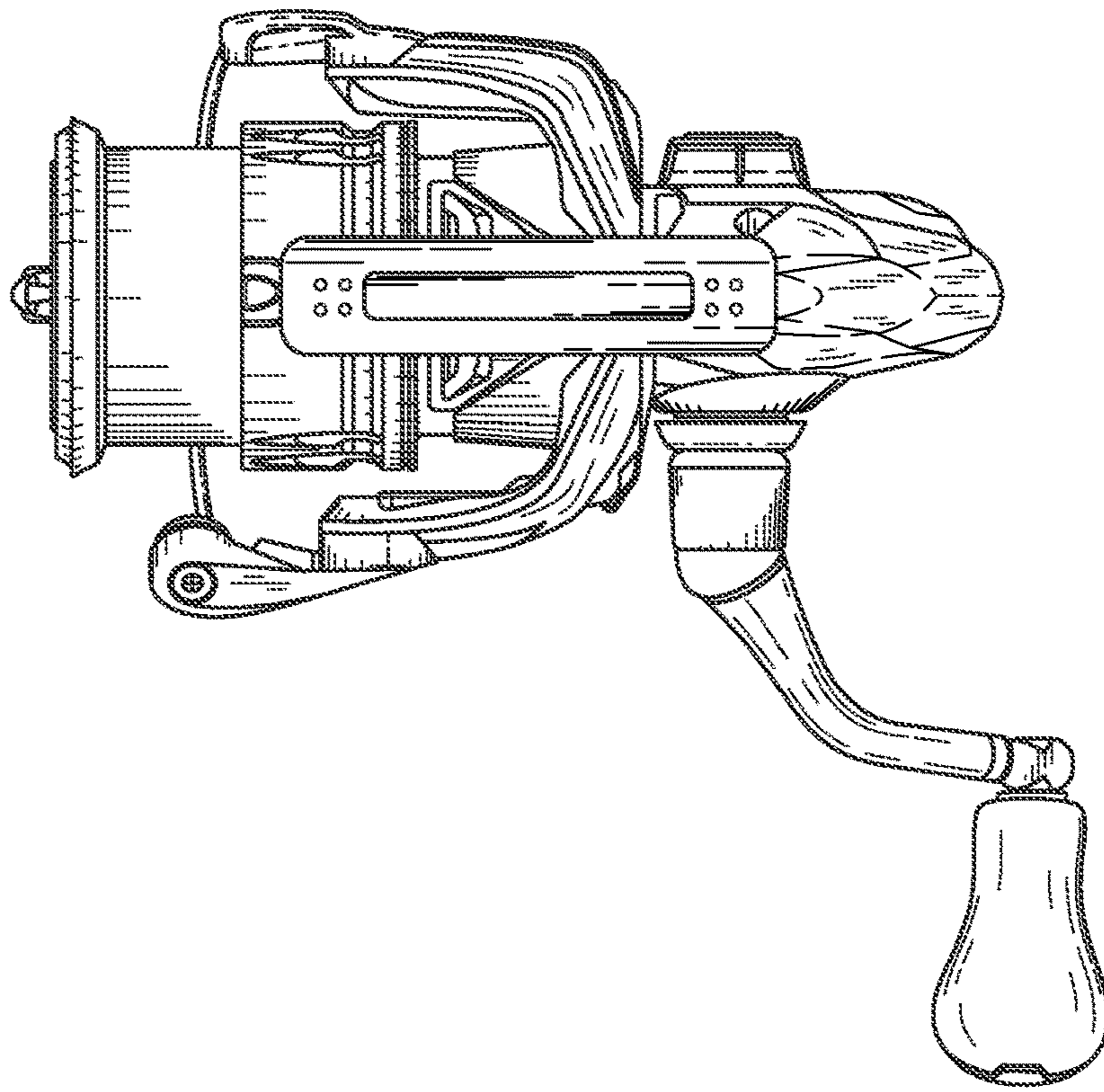
**FIG. 2**



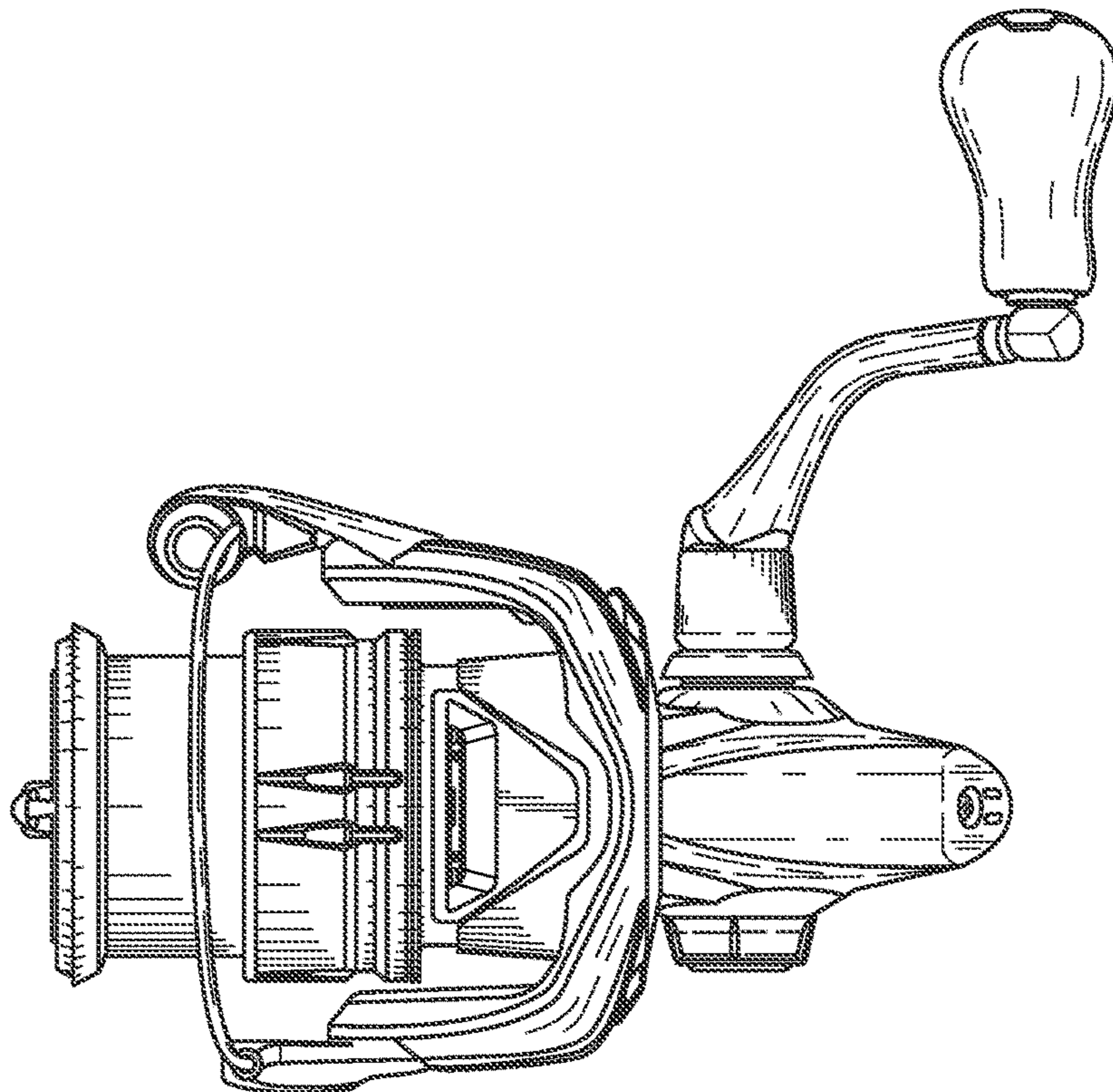
**FIG. 3**



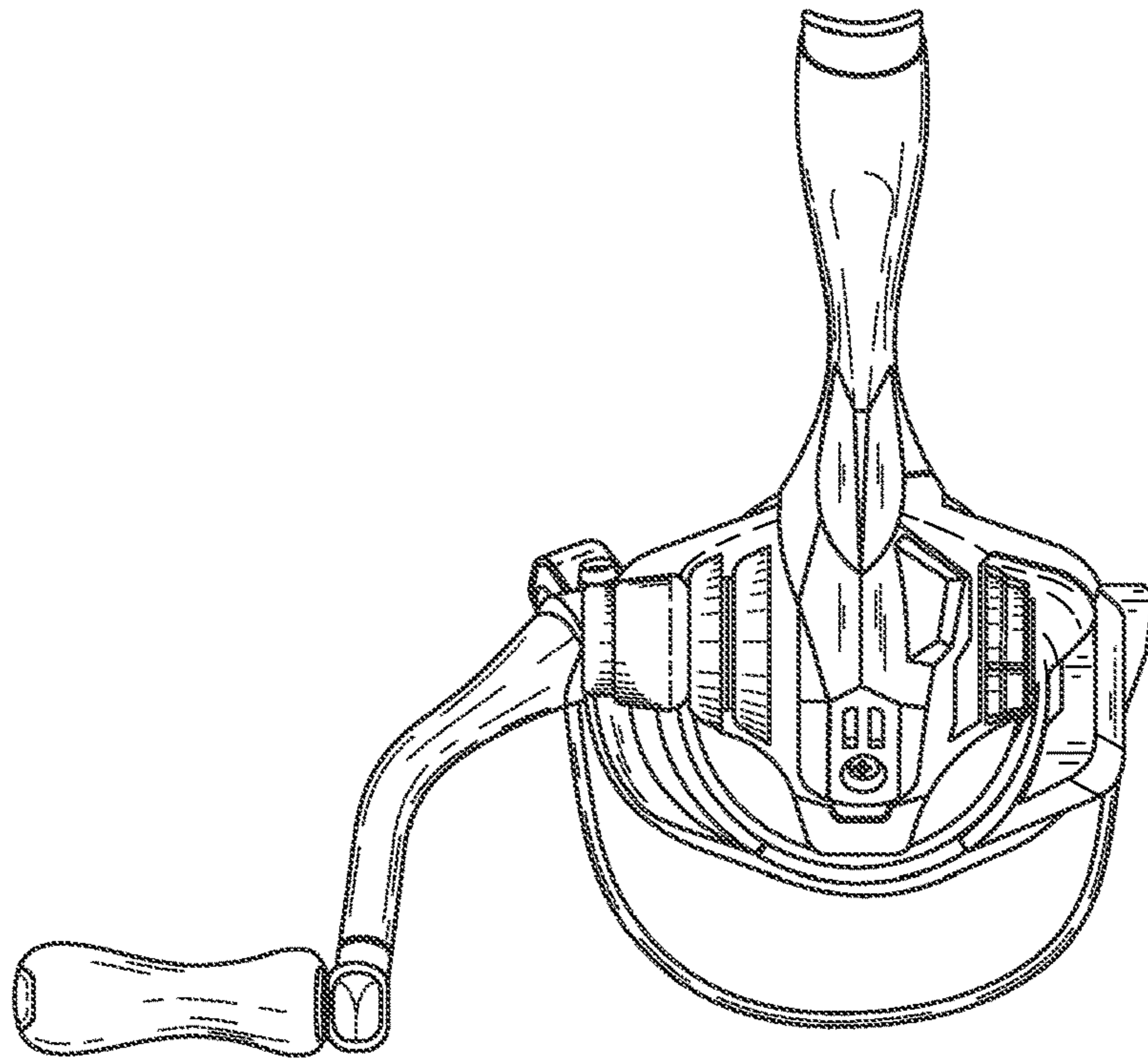
**FIG. 4**



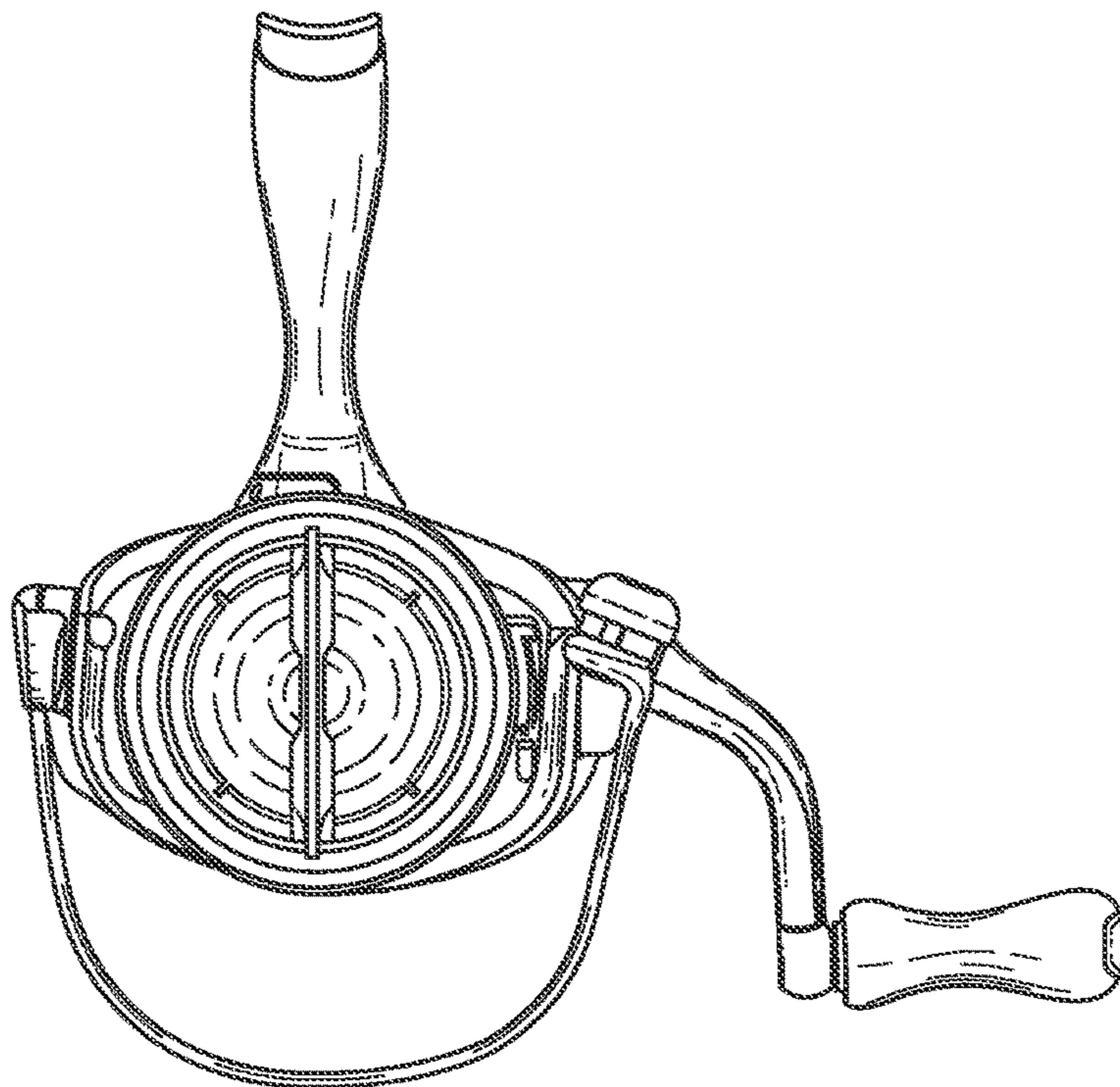
**FIG. 5**



**FIG. 6**



**FIG. 7**



**FIG. 8**